

CONTRACT DOCUMENTS FOR

# CITY OF KINGSVILLE

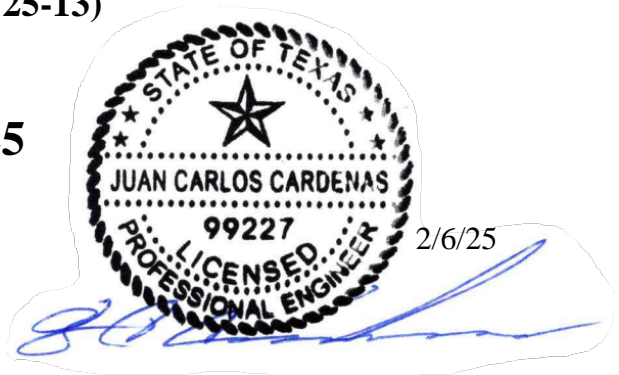
## GLO SW PROJECT 10 (N. ARMSTRONG ST.) STORM WATER IMPROVEMENTS

KINGSVILLE, TX

CDBG-MIT GLO CONTRACT NO. 22-085-009-D237  
(City of Kingsville Bid No. 25-13)

FEBRUARY 2025

PREPARED BY:



TBPE FIRM #F-10837  
INTERNATIONAL CONSULTING ENGINEERS  
261 SARATOGA BLVD.  
CORPUS CHRISTI, TEXAS 78417  
Phone: (361) 826-5805 Fax: (361) 826-5806

## BID PACKAGE

The GLO CDBG-MIT contract number must be clearly indicated on the cover of the bid/contract documents and in all bid advertisements.

The following list includes CDBG-MIT forms and documents that are required by GLO to be in the construction contract, in addition to your standard bid/contract documents.

\*Items 7-17 are to be provided to and completed by all bidders.

Please edit the indicated information in these documents:

1. Advertisement for Bids (first notice must be at least 15 days prior to bid opening)
2. Construction Contract - Standard Form of Agreement
3. General Conditions Part 1

Attach the following documents, provide by GrantWorks:

4. Instruction to Bidders
5. Equal Opportunity Guidelines for Construction Contractors
6. City/County's Section 3 Policy (GW will provide)
7. **Statement of Bidder's Qualifications**
8. **Conflict of Interest Questionnaire**
9. **Certificate of Recovered Materials**
10. **Non-collusion Affidavit of Prime Bidder**
11. **Certification of Bidder Regarding Civil Rights Laws and Regulations**
12. **Contractor's Local Opportunity Plan**
13. **Proposed Contracts Breakdown (expected subcontractors and labor classifications including Section 3 utilization)**
14. **Contractor Certification of Efforts to Fully Comply with Employment and Training Provision of Section 3**
15. **Certification Regarding Lobbying**
16. **Disclosure of Lobbying Activities and Instructions**
17. **Bid Bond**
18. Minority/Female Goals
19. Federal Labor Standards Provisions (HUD 4010 language)
20. Title 29 – Labor
21. Concerning Labor Standards and Prevailing Wage Requirements
22. Project specific Davis-Bacon Wage decision
23. GLO Signage Requirements – see state contract language
24. Section 504 Certification
25. Child Support Statement
26. Payment Bond
27. Performance Bond
28. Certificate of Liability Insurance
29. Certificate of Interested Parties Form 1295 and Instructions
30. Section 3 Clause
31. HUD Examples of Efforts to Offer Training and Employment Opportunities for Section 3 Residents (info sheet for contractors)



32. GLO New Hires Section 3 Monthly Compliance Report (submitted with payroll by contractor monthly)
  33. HUD Section 3 Brochure Info Sheet
  34. GLO Assurances for Construction Programs (from state contract)
  35. GLO General Affirmations
  36. Attorney's Review Certification
  37. Final Payment Affidavit
  38. Mitigation Measures and Conditions
- Additional Requirements (attached separately)
39. Change Order Form
  40. Certificate of Construction Completion (COCC)

## Construction Advertisement and Invitation for Bids

The City of Kingsville will receive bids for GLO SW PROJECT 10 (N. ARMSTRONG ST.) STORM WATER IMPROVEMENTS (CDBG-MIT GLO CONTRACT NO. 22-085-009-D237) until 2:00 p.m. on Tuesday, March 18, 2025 at 400 W. King Ave, Kingsville, Tx 78363. Bids must be addressed to: (Rutilio "Rudy" Mora, Jr., P.E.). The bids will be publicly opened and read aloud at 2:00 p.m. on Tuesday, March 18, 2025 at 400 W. King Ave, Kingsville, Tx 78363.

An optional pre-bid site meeting is scheduled for Monday, March 3, 2025 at (10:00 a.m.) at the City of Kingsville, 400 W. King Ave, Kingsville, TX 78363.

Bids are invited for several items and quantities of work as follows:

### 1. Base Bid

ITEM	DESCRIPTION	UNIT	QTY.	UNIT COST	TOTAL
A1	Mobilization / Bonds / Insurance	LS	1	\$	\$
A2	Traffic Control	LS	1	\$	\$
A3	Utility Adjustment	LS	1	\$	\$
A4	SWPP (Erosion Control Log)	LF	358	\$	\$
A5	Remove Existing Street Asphalt	SY	364	\$	\$
A6	Remove Existing Sidewalk Concrete	SY	93	\$	\$
A7	Remove Existing Curb & Gutter	LF	420	\$	\$
A8	Remove Existing Junction Box	EA	4	\$	\$
A9	Repair Existing Street Asphalt	SY	364	\$	\$
A10	Repair Existing Sidewalk Concrete	SY	93	\$	\$
A11	Repair Existing Curb & Gutter	LF	280	\$	\$
A12	Junction Box Type 'A'	EA	11	\$	\$
A13	Curb Inlet with Throat Extension	EA	15	\$	\$
A14	18"Ø RCP Class V	LF	148	\$	\$
A15	24"Ø RCP Class V	LF	119	\$	\$
A16	36"Ø RCP Class V	LF	43	\$	\$

TOTAL BID \$ \_\_\_\_\_

ENGINEER ESTIMATE \$ \_\_\_\_\_

### 1. Additive Bid No.1

ITEM	DESCRIPTION	UNIT	QTY.	UNIT COST	TOTAL
B1	Mill Existing Street Asphalt	SY	13,756	\$	\$
B2	Overlay Existing Street Asphalt	SY	13,755	\$	\$

TOTAL BID \$ \_\_\_\_\_

ENGINEER ESTIMATE \$ \_\_\_\_\_

Bid/Contract Documents, including Drawings and Technical Specifications are on file at (400 W. King Ave, Kingsville, Tx 78363).

A bid bond in the amount of 5 percent of the bid issued by an acceptable surety shall be submitted with each bid [for those contracts that exceed \$100,000]. A certified check or bank draft payable to the (City of Kingsville) or negotiable U.S. Government Bonds (as par value) may be submitted in lieu of the Bid Bond.

The project to be constructed will be financed with assistance from the General Land Office (GLO) under the U.S. Department of Housing and Urban Development Community Development Block Grant - Mitigation (CDBG-MIT) program and is subject to all applicable Federal and State laws and regulations. Attention is

called to the fact that not less than, the federally determined prevailing Davis-Bacon and Related Acts wage rate, as issued by the Department of Labor and contained in the contract documents, must be paid on this project. In addition, the successful bidder must ensure that employees and applicants for employment are not discriminated against because of race, color, religion, sex, sexual orientation, gender identity, or national origin. Adherence to the City of Kingsville Section 3 Policy is required for all contracts.

All contractors and subcontractors must be cleared (not suspended or debarred) prior to any formal action authorizing the award of a contract to the contractor. Minority Business Enterprises, Small Business Enterprises, Women Business Enterprises, veteran-owned businesses, and labor surplus area firms are encouraged to submit bids.

The City of Kingsville reserves the right to reject any or all bids or to waive any informalities in the bidding. Bids may be held by City of Kingsville for a period not to exceed 60 days from the date of the bid opening for the purpose of reviewing the bids and investigating the bidder's qualifications prior to the contract award.

City of Kingsville

Rutilio P. Mora Jr., PE

City Engineer

## **INSTRUCTIONS TO BIDDERS FOR CONSTRUCTION**

The project to be constructed will be financed with assistance from the General Land Office (GLO) under the U.S. Department of Housing and Urban Development Community Development Block Grant - Mitigation (CDBG-MIT) program and is subject to all applicable Federal and State laws and regulations. The (name of Grant Subrecipient) is the subrecipient of the grant funding and is hereby referred to as "City/County".

### 1. Use of Separate Bid Forms

These contract documents include a complete set of bid and contract forms which are for the convenience of the bidders and are not to be detached from the contract document, completed or executed. Separate bid forms are provided for your use.

### 2. Interpretations or Addenda

No oral interpretations will be made to any bidder. Each request for clarification shall be made in writing to the City/County or engineer no less than seven (7) days prior to the bid opening. Each interpretation made will be in the form of an Addendum to the contract documents and will be distributed to all parties holding contract documents no less than seven (7) days prior to the bid opening. It is, however, the bidder's responsibility to make inquiry as to any addenda issued. All such addenda shall become part of the contract documents and all bidders shall be bound by such addenda, whether or not received by the bidders.

If an addendum to the bid package is necessary, it must be distributed to each potential bidder. The distribution of an addendum shall be verified either by statements of receipt or registered/certified mail receipts, which shall be included in the public works construction file. The addendum shall allow adequate time for consideration in bid preparation (usually at least one week). If adequate time is not available, the bid opening date must be extended and the City/County must republish the invitation for bids containing the place, time, and date for the new bid opening. Note that any change to the original bid opening date will require republication of the invitation for bids at least once in a locally published newspaper. The republished notice will include the place, time and date for the new bid opening and must be published at least seven days prior to the new bid opening date.

### 3. Inspection of Site

Each bidder should visit the site of the proposed work and should become acquainted with the existing conditions and facilities, the difficulties and restrictions pertaining to the performance of the contract. The bidder should thoroughly examine and become familiar with the drawings, technical specifications and all other contract documents. The contractor by the execution of the contract shall in no way be relieved of any obligation under it due to failure to receive or examine any form or legal document or to visit the site or the conditions existing at the site. The City/ County will be justified in rejecting any claim based on lack of inspection of the site prior to the bid.

### 4. Alternate bid items

No alternate bids or bid items will be considered unless they are specifically requested by the technical specifications.

### 5. Bids

- a. All bids must be submitted on the forms provided and are subject to all requirements of the Contract Documents, including the Drawings.

- b. All bids must be regular in every respect and no interlineation, excisions or special conditions may be made or included by the bidder.
- c. Bid documents, including but not limited to the bid, the bid bond(s), the contractor's certifications, Certification of Bidder Regarding Civil Rights Laws and Regulations, Certification of Efforts to comply with Section 3, Local Opportunity Plan, Conflict of Interest Questionnaire, Non-collusion Affidavit of Prime Bidder, Certification Regarding Lobbying and Disclosure of Lobbying Activities, Proposed Contract Breakdown, Certificate of Recovered Materials, and the Statement of the Bidder's Qualifications, shall be sealed in an envelope and clearly labeled with the words "Bid Documents", the project's contract number, name of bidder and the date and time of bid opening.
- d. The City/County may consider as irregular any bid on which there is an alteration of or departure from the bid form and, at its option, may reject any irregular bid.
- e. If a contract is awarded, it will be awarded to a responsible bidder on the basis of the lowest/best bid and the selected alternate bid items, if any. The contract will require the completion of the work in accordance with the contract documents.

6. Bid Modifications Prior to Bid Opening

- a. Any bidder may modify its bid by submitting a modification or supplemental bid at any time prior to the scheduled closing time for receipt of bids, provided such modification or supplemental bid is received by the City/County prior to the closing time. The modification or supplemental bid should not reveal the original bid price but should provide only the addition, subtractions or other modifications to the original bid so that the final prices or terms will not be known by the City/County until the sealed bid is open.

7. Bid Bond

- a. A bid bond in the amount of 5% of the bid issued by an acceptable surety shall be submitted with each bid [for contracts greater than \$100,000]. A certified check or bank draft payable to the City/County or negotiable U.S. Government Bonds (as par value) may be submitted in lieu of the Bid Bond.
- b. The bid bond or its comparable, will be returned to the bidder as soon as practical after the opening of the bids.

8. Statement of Bidders Qualifications

Each bidder shall submit on the form furnished for that purpose a statement of the bidder's qualifications. The City/County shall have the right to take such steps as it deems necessary to determine the ability of the bidder to perform its obligations under the contract, and the bidder shall furnish the City/County all such information and data for this purpose as it may request. The right is reserved to reject any bid where an investigation of the available data does not satisfy the City/County that the bidder is qualified to carry out properly the terms of the contract.

9. Unit Price

The unit price for each of the several items in the bid shall include its pro rata share of overhead so that the sum of the products obtained by multiplying the quantity shown for each item by the unit price bid represents the total bid. Any bid not

conforming to this requirement may be rejected as informal. Special attention is drawn to this condition, as the unit prices will be used to determine the amount of any change orders resulting from an increase or decrease in quantities.

10. Corrections:

Erasures or other corrections in the bid must be noted over the signature of the bidder.

11. Time for Receiving Bids

Bids received prior to the advertised hour of opening shall be kept securely sealed. The officer appointed to open the bids shall decide when the specified time has arrived and no bid received thereafter will be considered; except that when a bid arrives by mail after the time fixed for opening, but before the reading of all other bids is completed, and it is shown to the satisfaction of the City/County that the late arrival of the bid was solely due to delay in the mail for which the bidder was not responsible, such bid will be received and considered.

12. Opening of Bids

The City/County shall, at the time and place fixed for the opening of bids, open each bid and publicly read it aloud, irrespective of any irregularities therein. Bidders and other interested individuals may be present.

13. Withdrawal of Bids

Bidder may withdraw the bid before the time fixed for the opening of bids, by communicating its purpose in writing to the City/County. Upon receipt of such notice, the unopened bid will be returned to the bidder. The bid guaranty of any bidder withdrawing his bid will be returned promptly.

14. Award of Contract/Rejection of Bids

- a. The contract will be awarded to the responsive, responsible Bidder submitting the lowest/best bid. The bidder selected will be notified at the earliest possible date. The City/County reserves the right to reject any or all bids and to waive any informality in bids received where such rejection or waiver is in its interest.
- b. The City/County reserves the right to consider as unqualified to do the work any bidder who does not habitually perform with his own forces the major portions of the work involved in construction of the improvements embraced in this contract.

15. Execution of Agreement/Performance and Payment Bonds

- a. Performance Bonds - Requires all prime contractors which enter into a formal contract in excess of \$100,000 with the State, a county, or a municipality; a department, board, or agency of the state, a county, or a municipality; and a school district or a subdivision thereof, to obtain a Performance Bond in the amount of the contract before commencing with work
- b. Payment Bonds- Requires all prime contractors which enter into a formal contract with the State, a county, or a municipality; a department, board, or agency of the state, a county, or a municipality; and a school district or a subdivision thereof, to furnish to the governmental entity a payment bond in the amount of the contract. The payment bond must be filed within 30 days from the date of the Notice of Award:

- Municipalities: If the contract is in excess of \$50,000, a payment bond is required.
  - Counties: If the contract is in excess of \$25,000, a payment bond is required.
- c. The failure of the successful bidder to execute the agreement and supply the required bonds within thirty (30) days from the date of the notice of award-or within such extended period as the City/County may grant, shall constitute a default and the City/County may, at its option either award the contract to the next lowest responsible bidder, or re-advertise for bids. In either case, the City/County may charge against the bidder the difference between the amount of the bid, and the amount for which a contract is subsequently executed irrespective of whether this difference exceeds the amount of the bid bond. If a more favorable bid is received through re-advertisement, the defaulting bidder shall have no claim against the City/County for a refund.

16. Wages and Salaries

Attention is particularly called to the requirement of paying not less than the prevailing Davis Bacon Related Acts (DBRA) wage rates specified in the Contract Documents. These rates are minimums to be paid during the life of the contract. It is therefore the responsibility of the Bidder to inform themselves as to local labor conditions.

17. Equal Employment Opportunity

Attention is called to the requirements for ensuring that employees and applicants for employment are not discriminated against because of race, color, religion, sex, sexual orientation, gender identity, or national origin, and other civil rights requirements.

18. Certification Regarding Lobbying

Contractors who apply or bid for an award of \$100,000 or more shall provide the required certification that it will not and has not used Federal appropriated funds to pay any person or organization for influencing or attempting to influence an officer or employee of any agency, a member of Congress, officer or employee of Congress, or an employee of a member of Congress in connection with obtaining any Federal contract, grant or any other award covered by 31 USC § 1352.

19. System for Award Management (SAM)

All contractors and subcontractors must be searched on [www.sam.gov](http://www.sam.gov) and cleared (not suspended or debarred) prior to any formal action authorizing the award of a contract to the contractor.

# **CONSTRUCTION CONTRACT**

**THIS AGREEMENT** made this the \_\_\_\_\_ day of \_\_\_\_\_, \_\_\_\_\_, by and between \_\_\_\_\_ (a corporation organized and existing under the laws of the State of \_\_\_\_\_) (a partnership consisting of \_\_\_\_\_) (an individual trading as \_\_\_\_\_) hereinafter called the "Contractor", and City of Kingsville hereinafter called the "City"

**WITNESSETH**, that the Contractor and the City for the considerations stated herein mutually agree as follows:

**ARTICLE 1. Statement of Work.** The Contractor shall furnish all supervision, technical personnel, labor, materials, machinery, tools, equipment and services, including utility and transportation services, and perform and complete all work required for the construction of the Improvements embraced in the Project; namely, GLO SW PROJECT 10 (N. ARMSTRONG ST.) STORM WATER IMPROVEMENTS (CDBG-MIT GLO CONTRACT NO. 22-085-009-D237 for the Community Development Block Grant – Mitigation (CDBG-DR) project, all in strict accordance with the contract documents including all addenda thereto, numbered \_\_\_\_\_, dated \_\_\_\_\_ and \_\_\_\_\_, all as prepared by International Consulting Engineers (ICE) acting and in these contract documents preparation, referred to as the "Engineer".

**ARTICLE 2. The Contract Price.** The City will pay the Contractor for the performance of the Contract in current funds, for the total quantities of work performed at the *unit prices* stipulated in the Bid for the several respective items of work completed subject to additions and deductions as provided in \_\_\_\_\_ hereof.

**ARTICLE 3. The Contract.** The executed contract documents shall consist of the following components:

- |                              |  |
|------------------------------|--|
| a. This Agreement (pgs. 1-3) | f. General Conditions, Part I                                |
| b. Addenda                   | g. Special Conditions  |
| c. Invitation for Bids       | h. Technical Specifications                                  |
| d. Instructions to Bidders   | i. Drawings ( <i>as listed in the Schedule of Drawings</i> ) |
| e. Signed Copy of Bid        | j. [Add any applicable documents]                            |

**ARTICLE 4. Performance.** Work, in accordance with the Contract dated \_\_\_\_\_, \_\_\_\_\_, shall commence on or before \_\_\_\_\_, \_\_\_\_\_, and Contractor shall complete the WORK within 180 consecutive calendar days thereafter. The date of completion of all WORK is therefore \_\_\_\_\_, \_\_\_\_\_.

This Agreement, together with other documents enumerated in this ARTICLE 3, which said other documents are as fully a part of the Contract as if hereto attached or herein repeated, forms the Contract between the parties hereto. In the event that any provision in any component part of this Contract conflicts with any provision of any other component part, the provision of the component part first enumerated in this ARTICLE 3 shall govern, except as otherwise specifically stated.

**IN WITNESS WHEREOF**, the parties hereto have caused this Agreement to be executed in triplicate original copies on the day and year first above written.



\_\_\_\_\_  
(The Contractor)

By \_\_\_\_\_  
Title \_\_\_\_\_

\_\_\_\_\_  
(City)

By \_\_\_\_\_  
\_\_\_\_\_  
Title \_\_\_\_\_

**Corporate Certifications**

I, \_\_\_\_\_, certify that I am the \_\_\_\_\_ of the corporation named as Contractor herein; that \_\_\_\_\_ who signed this Agreement on behalf of the Contractor, was then \_\_\_\_\_ of said corporation; that said Agreement was duly signed for and in behalf of said corporation by authority of its governing body, and is within the scope of its corporate powers.

Corporate  
Seal

\_\_\_\_\_  
(Corporate Secretary)

# GENERAL CONDITIONS - PART I FOR CONSTRUCTION

## 1. Contract and Contract Documents

- a. The project to be constructed pursuant to this contract will be financed with assistance from the General Land Office (GLO) through the Community Development Block Grant – Mitigation (CDBG-MIT) fund and is subject to all applicable Federal and State laws and regulations.
- b. The Plans, Specifications and Addenda shall form part of this contract and the provisions thereof shall be binding upon the parties as if they were herein fully set forth.

## 2. Definitions

Whenever used in any of the Contract Documents, the following meanings shall be given to the terms here in defined:

- (a) The term "Contract" means the Contract executed between the City of Kingsville, hereinafter called the "City" and \_\_\_\_\_ hereinafter called "Contractor", of which these GENERAL CONDITIONS, form a part.
- (b) The term "Project Area" means the area within the specified Contract limits of the Improvements contemplated to be constructed in whole or in part under this contract.
- (c) The term "Engineer" means International Consulting Engineers, Engineer in charge, serving the City with architectural or engineering services, his successor, or any other person or persons, employed by the City for the purpose of directing or having in charge the work embraced in this Contract.
- (d) The term "Contract Documents" means and shall include the following: Executed Contract, Addenda (if any), Invitation for Bids, Instructions to Bidders, Signed Copy of Bid, General Conditions, Special Conditions, Technical Specifications, and Drawings (as listed in the Schedule of Drawings).

## 3. Supervision By Contractor

- (a) Except where the Contractor is an individual and personally supervises the work, the Contractor shall provide a competent superintendent, satisfactory to the Engineer, on the work at all times during working hours with full authority to act as Contractor's agent. The Contractor shall also provide adequate staff for the proper coordination and expediting of his work.
- (b) The Contractor shall be responsible for all work executed under the Contract. Contractor shall verify all figures and elevations before proceeding with the work and will be held responsible for any error resulting from his failure to do so.

## 4. Subcontracts

- (a) The Contractor shall not execute an agreement with any subcontractor or permit any subcontractor to perform any work included in this contract until Contractor has verified the subcontractor has been cleared (not suspended or debarred) to participate in federally funded contracts.

- (b) No proposed subcontractor shall be disapproved by the City except for cause.
- (c) The Contractor shall be as fully responsible to the City for the acts and omissions of his subcontractors, and of persons either directly or indirectly employed by them.
- (d) The Contractor shall cause appropriate provisions to be inserted in all subcontracts relative to the work and required compliance by each subcontractor with the applicable provisions of the Contract.
- (e) Nothing contained in the Contract shall create any contractual relation between any subcontractor and the City.
- (f) Contractors are encouraged to subcontract with Minority Business Enterprises, Small Business Enterprises, Women Business Enterprises, veteran-owned businesses, and labor surplus area firms.

#### 5. Fitting and Coordination of Work

The Contractor shall be responsible for the proper fitting of all work and for the coordination of the operations of all trades, subcontractors, or material suppliers engaged upon this Contract.

#### 6. Payments to Contractor

##### (a) Partial Payments

- 1) The Contractor shall prepare the requisition for partial payment as of the last day of the month and submit it, with the required number of copies, to the Engineer for approval. **The amount of the payment due the Contractor shall be determined by adding to the total value of work completed to date, the value of materials properly stored on the site and deducting (1) five percent (5%) of the total amount, to be retained until final payment, and (2) the amount of all previous payments.** The total value of work completed to date shall be based on the estimated quantities of work completed and on the unit prices contained in the agreement. The value of materials properly stored on the site shall be based upon the estimated quantities of such materials and the invoice prices. Copies of all invoices shall be available for inspection of the Engineer.
- 2) Monthly or partial payments made by the City to the Contractor are advanced for the purpose of assisting the contractor to expedite the work of construction. The Contractor shall be responsible for the care and protection of all materials and work upon which payments have been made until final acceptance of such work and materials by the City. Such payments shall not constitute a waiver of the right of the City to require the fulfillment of all terms of the Contract and the delivery of all improvements embraced in this Contract complete and satisfactory to the City in all details.

##### (b) Final Payment

- 1) After final inspection and the acceptance by the City of all work under the Contract, the Contractor shall prepare the requisition for final payment which shall be based upon the careful inspection of each item of work at the applicable unit prices stipulated in the Contract. The total amount of the final payment due the Contractor under this Contract shall be the amount computed as described above less all previous payments.

2) Before paying the final estimate, City shall require the Contractor to furnish releases or receipts from all subcontractors having performed any work and all persons having supplied materials, equipment (installed on the Project) and services to the Contractor. The City may make payment in part or in full to the Contractor without requiring the furnishing of such releases or receipts and any payments made shall in no way impair the obligations of any surety or sureties furnished under this Contract.

3) Any amount due the City under Liquidated Damages, shall be deducted from the final payment due the contractor.

(c) Payments Subject to Submission of Certificates

Each payment to the Contractor by the City shall be made subject to submission by the Contractor of all written certifications required of it and its subcontractors.

(d) Withholding Payments

The City may withhold any payment due the Contractor as deemed necessary to protect the City, and if so elects, may also withhold any amounts due from the Contractor to any subcontractors or material dealers, for work performed or material furnished by them. The foregoing provisions shall be construed solely for the benefit of the City/County and will not require the City to determine or adjust any claims or disputes between the Contractor and its subcontractors or material dealers, or to withhold any moneys for their protection unless the City elects to do so. The failure or refusal of the City to withhold any moneys from the Contractor shall in no way impair the obligations of any surety or sureties under any bond or bonds furnished under this Contract.

7. Changes in the Work

(a) The City may make changes in the scope of work required to be performed by the Contractor under the Contract without relieving or releasing the Contractor from any obligations under the Contract or any guarantee given pursuant to the Contract provisions, and without affecting the validity of the guaranty bonds, and without relieving or releasing the surety or sureties of said bonds. All such work shall be executed under the terms of the original Contract unless it is expressly provided otherwise. Additionally, all such change orders must be approved by CDBG-MIT prior to execution of same.

(b) Except for the purpose of affording protection against any emergency endangering health, life, limb or property, the Contractor shall make no change in the materials used or in the specified manner of constructing and/or installing the improvements or supply additional labor, services or materials beyond that actually required for the execution of the Contract, unless in pursuance of a written order from the City authorizing the Contractor to proceed with the change. No claim for an adjustment of the Contract Price will be valid unless so ordered.

(c) If applicable unit prices are contained in the Contract, the City may order the Contractor to proceed with desired unit prices specified in the Contract; provided that in case of a unit price contract the net value of all changes does not increase the original total amount of the agreement by more than twenty-five percent (25%) or decrease the original total amount by more than twenty-five percent (25%) for municipalities and eighteen percent (18%) for counties without the written consent of the contractor. [Texas Local Government Code Section 252.048(d) and Section 262.031(b)]

(d) Each change order shall include in its final form:

1) A detailed description of the change in the work.

2) The Contractor's proposal (if any) or a confirmed copy thereof.

- 3) A definite statement as to the resulting change in the contract price and/or time.
- 4) The statement that all work involved in the change shall be performed in accordance with contract requirements except as modified by the change order.
- 5) The procedures as outlined in this Section for a unit price contract also apply in any lump sum contract.

#### 8. Claims for Extra Cost

- (a) If the Contractor claims that any instructions by Drawings or otherwise involve extra cost or extension of time, he shall, within ten days after the receipt of such instructions, and in any event before proceeding to execute the work, submit his protest thereto in writing to the City, stating clearly and in detail the basis of his objections. No such claim will be considered unless so made.
- (b) Claims for additional compensation for extra work, due to alleged errors in ground elevations, contour lines, or bench marks, will not be recognized unless accompanied by certified survey data, made prior to the time the original ground was disturbed, clearly showing that errors exist which resulted, or would result, in handling more material, or performing more work, than would be reasonably estimated from the Drawings and maps issued.
- (c) Any discrepancies which may be discovered between actual conditions and those represented by the Drawings and maps shall be reported at once to the City and work shall not proceed except at the Contractor's risk, until written instructions have been received from the City.
- (d) If, on the basis of the available evidence, the City determines that an adjustment of the Contract Price and/or time is justifiable, a change order shall be executed.

#### 9. Termination, Delays, and Liquidated Damages

##### Right of the City/County to Terminate Contract for Convenience

City may at any time and for any reason terminate Contractor's services and work at City's convenience upon providing written notice to the Contractor specifying the extent of termination and the effective date. Upon receipt of such notice, Contractor shall, unless the notice directs otherwise, immediately discontinue the work and placing of orders for materials, facilities and supplies in connection with the performance of this Agreement.

Upon such termination, Contractor shall be entitled to payment only as follows: (1) the actual cost of the work completed in conformity with this Agreement plus (2) such other costs actually incurred by Contractor as are permitted by the prime contract and approved by City. There shall be deducted from such sums as provided in this subparagraph the amount of any payments made to Contractor prior to the date of the termination of this Agreement. Contractor shall not be entitled to any claim or claim of lien against City for any additional compensation or damages in the event of such termination and payment.

##### Right of the City/County to Terminate Contract for Cause

If the Contractor fails to fulfill in a timely and proper manner its obligations under this Agreement, or if the Contractor violates any of the covenants, conditions, agreements, or stipulations of this Agreement, the City shall have the right to terminate this Agreement by giving written notice to the Contractor of such termination and specifying the effective date thereof, which shall be at least five days before the effective date of such termination. In the event of termination for cause,

all finished or unfinished documents, data, studies, surveys, drawings, maps, models, photographs and reports prepared by the Contractor pursuant to this Agreement shall, at the option of the City, be turned over to the City and become the property of the City. In the event of termination for cause, the Contractor shall be entitled to receive reasonable compensation for any necessary services actually and satisfactorily performed prior to the date of termination.

Notwithstanding the above, the Contractor shall not be relieved of liability to the City for damages sustained by the City by virtue of any breach of contract by the Contractor, and the City may set-off the damages it incurred as a result of the Contractor's breach of contract from any amounts it might otherwise owe the Contractor. 2 CFR 200 APPENDIX II(B)

(a) Liquidated Damages for Delays.

If the work is not completed within the time stipulated in the applicable bid for Lump Sum or Unit Price Contract provided, the Contractor shall pay to the City as fixed, agreed, and liquidated damages (it being impossible to determine the actual damages occasioned by the delay) the amount of           \$200           for each calendar day of delay, until the work is completed. The Contractor and Contractor's sureties shall be liable to the City for the amount thereof.

(b) Excusable Delays.

- 1) The right of the Contractor to proceed shall not be terminated nor shall the Contractor be charged with liquidated damages for any delays in the completion of the work due to:
- 2) Any acts of the Government, including controls or restrictions upon or requisitioning of materials, equipment, tools, or labor by reason of war, national defense, or any other national emergency;
- 3) Any acts of the City;
- 4) Causes not reasonably foreseeable by the parties to this Contract at the time of execution which are beyond the control and without the fault or negligence of the Contractor, including, but not restricted to, acts of God, terrorism, war, acts of another Contractor in the performance of some other contract with the City, fires, floods, epidemics, quarantine, restrictions, strikes, freight embargoes, and weather of unusual severity such as hurricanes, tornadoes, cyclones and other extreme weather conditions.
- 5) Provided, however, that the Contractor promptly notifies the City within ten (10) days in writing of the cause of the delay. Upon receipt of such notification, the City shall ascertain the facts and the cause and extent of delay. If, upon the basis of the facts and the terms of this contract, the delay is properly excusable, the City shall extend the time for completing the work for a period of time commensurate with the period of excusable delay.

10. Assignment or Novation

The Contractor shall not assign nor transfer, whether by assignment or novation, any of its rights, duties, benefits, obligations, liabilities, or responsibilities under this Contract without the written consent of the City. No assignment or novation of this Contract shall be valid unless the assignment or novation expressly provides that the assignment of any of the Contractor's rights or benefits under the Contract is subject to a prior lien for labor performed, services rendered, and materials, tools, and equipment supplied for the performance of the work under this Contract in favor of all persons, Contractors, or corporations rendering such labor or services or supplying such materials, tools, or equipment.

11. Technical Specifications and Drawings

Anything mentioned in the Technical Specifications and not shown on the Drawings or vice versa, shall be of like effect as if shown on or mentioned in both. In case of difference between Drawings and Technical Specifications, the Technical Specifications shall govern. In case of any discrepancy in Drawings, or Technical Specifications, the matter shall be immediately submitted to the City for review. Contractor shall be liable for any issues or expenses in the event the discrepancy is not submitted to the City.

## 12. Shop Drawings

- (a) All required shop drawings, machinery details, layout drawings, etc. shall be submitted to the Engineer in 3 copies for approval sufficiently in advance of requirements to afford ample time for checking, including time for correcting, resubmitting and rechecking if necessary. The Contractor may proceed, only at Contractor's own risk, with manufacture or installation of any equipment or work covered by said shop drawings, etc. until they are approved and no claim, by the Contractor, for extension of the contract time shall be granted by reason of his failure in this respect.
- (b) Any drawings submitted without the Contractor's stamp of approval will not be considered and will be returned to him for proper resubmission. If any drawings show variations from the requirements of the Contract because of standard shop practice or other reason, the Contractor shall make specific mention of such variation in his letter of transmittal in order that, if acceptable, suitable action may be taken for proper adjustment of contract price and/or time, otherwise the Contractor will not be relieved of the responsibility for executing the work in accordance with the Contract even though the drawings have been approved.
- (c) If a shop drawing is in accordance with the contract or involves only minor adjustment in the interest of the City not involving a change in contract price or time, the engineer may approve the drawing. The approval shall not relieve the Contractor from responsibility to adhere to the contract or for any error in the drawing.

## 13. Requests for Supplementary Information

It shall be the responsibility of the Contractor to make timely requests of the City for any additional information which should be furnished by the City under the terms of this Contract, and which is required in the planning and execution of the work. Such requests may be submitted from time to time as the need approaches, but each shall be filed in ample time to permit appropriate action to be taken by all parties involved so as to avoid delay. Each request shall be in writing, and list the various items and the latest date by which each will be required by the Contractor. The first list shall be submitted within two weeks after Contract award and shall be as complete as possible at that time. The Contractor shall, if requested, furnish promptly any assistance and information the Engineer may require in responding to these requests of the Contractor. The Contractor shall be fully responsible for any delay in his work or to others arising from his failure to comply fully with the provision of this section.

## 14. Materials and Workmanship

- (a) Unless otherwise specifically provided for in the technical specifications, all workmanship, equipment, materials and articles incorporated in the work shall be new and the best grade of the respective kinds for the purpose. Where equipment, materials, articles or workmanship are referred to in the technical specifications as "equal to" any particular standard, the Engineer shall decide the question of equality.
- (b) The Contractor shall furnish to the City for approval the manufacturer's detailed specifications for all machinery, mechanical and other special equipment, which he contemplates installing together with full information as to type, performance characteristics, and all other pertinent information as required, and shall likewise submit for approval full information concerning all other materials or articles which he proposes to incorporate.

- (c) Machinery, mechanical and other equipment, materials or articles installed or used without such prior approval shall be at the risk of subsequent rejection.
- (d) Materials specified by reference to the number or symbol of a specific standard, shall comply with requirements in the latest revision thereof and any amendment or supplement thereto in effect on the date of the Invitation for Bids, except as limited to type, class or grade, or modified in the technical specifications shall have full force and effect as though printed therein.
- (e) The City may require the Contractor to dismiss from the work such employee or employees as the City or the Engineer may deem unqualified.

#### 15. Samples, Certificates and Tests

- (a) The Contractor shall submit all material or equipment samples, certificates, affidavits, etc., as called for in the contract documents or required by the Engineer, promptly after award of the contract and acceptance of the Contractor's bond. No such material or equipment shall be manufactured or delivered to the site, except at the Contractor's own risk, until the required samples or certificates have been approved in writing by the Engineer. Any delay in the work caused by late or improper submission of samples or certificates for approval shall not be considered just cause for an extension of the contract time.
- (b) Each sample submitted by the Contractor shall carry a label giving the name of the Contractor, the project for which it is intended, and the name of the producer. The accompanying certificate or letter from the Contractor shall state that the sample complies with contract requirements, shall give the name and brand of the product, its place of origin, the name and address of the producer and all specifications or other detailed information which will assist the Engineer in making a prompt decision regarding the acceptability of the sample. It shall also include the statement that all materials or equipment furnished for use in the project will comply with the samples and/or certified statements.
- (c) Approval of any materials shall be general only and shall not constitute a waiver of the City's right to demand full compliance with Contract requirements. After actual deliveries, the Engineer will have such check tests made as he deems necessary in each instance and may reject materials and equipment and accessories for cause, even though such materials and articles have been given general approval. If materials, equipment or accessories which fail to meet check tests have been incorporated in the work, the Engineer will have the right to cause their removal and replacement by proper materials or to demand and secure such reparation by the Contractor as is equitable.
- (d) Except as otherwise specifically stated in the Contract, the costs of sampling and testing will be divided as follows:
  - 1) The Contractor shall furnish without extra cost, including packing and delivery charges, all samples required for testing purposes, except those samples taken on the project by the Engineer;
  - 2) The Contractor shall assume all costs of re-testing materials which fail to meet contract requirements;
  - 3) The Contractor shall assume all costs of testing materials offered in substitution for those found deficient;
  - 4) The City will pay all other expenses.

#### 16. Permits and Codes



- (a) The Contractor shall give all notices required by and comply with all applicable federal and state laws, ordinances, and codes of the Local Government. All construction work and/or utility installations shall comply with all applicable ordinances, and codes including all written waivers. Before installing any work, the Contractor shall examine the drawings and technical specifications for compliance with applicable ordinances and codes and shall immediately report any discrepancy to the City. Where the requirements of the drawings and technical specifications fail to comply with such applicable ordinances or codes, the City will adjust the Contract by Change Order to conform to such ordinances or codes (unless waivers in writing covering the difference have been granted by the governing body or department) and make appropriate adjustment in the Contract Price or stipulated unit prices.
- (b) Should the Contractor fail to observe the foregoing provisions and proceed with the construction and/or install any utility at variance with any applicable ordinance or code, including any written waivers (notwithstanding the fact that such installation is in compliance with the drawings and technical specifications), the Contractor shall remove such work without cost to the City.
- (c) The Contractor shall at his own expense, secure and pay for all permits for street pavement, sidewalks, shed, removal of abandoned water taps, sealing of house connection drains, pavement cuts, buildings, electrical, plumbing, water, gas and sewer permits required by the local regulatory body or any of its agencies.
- (d) The Contractor shall comply with applicable local laws and ordinances governing the disposal of surplus excavation, materials, debris and rubbish on or off the Project Area and commit no trespass on any public or private property in any operation due to or connected with the Improvements contained in this Contract.
- (e) The Contractor will be required to make arrangements for and pay the water, electrical power, or any other utilities required during construction.
- (f) During construction of this project, the Contractor shall use every means possible to control the amount of dust created by construction. Prior to the close of a day's work, the Contractor, if directed by the City, shall moisten the surrounding area to prevent a dusty condition.

#### 17. Care of Work

- (a) The Contractor shall be responsible for all damages to person or property that occur as a result of its fault or negligence in connection with the prosecution of the work and shall be responsible for the proper care and protection of all materials delivered and work performed until completion and final acceptance.
- (b) The Contractor shall provide sufficient competent watchmen, both day and night, including Saturdays, Sundays, and holidays, from the time the work is commenced until final completion and acceptance.
- (c) In an emergency affecting the safety of life, limb or property, including adjoining property, the Contractor, without special instructions or authorization from the City is authorized to act to prevent such threatened loss or injury. Contractor shall follow all instructions of City.
- (d) The Contractor shall avoid damage as a result of his operations to existing sidewalks, streets, curbs, pavements, utilities (except those which are to be replaced or removed), adjoining property, etc., and shall be responsible for completely repairing any damage thereto caused by the operations.
- (e) The Contractor shall shore up, brace, underpin, secure, and protect as maybe necessary, all foundations and other parts of existing structures adjacent to, adjoining, and in the vicinity of the site, which may be in any way affected by the excavations or other operations connected with the construction of the improvements included in this Contract. The Contractor shall be responsible for the giving of any and all required notices to any adjoining or adjacent property owner

or other party before the commencement of any work. The Contractor shall indemnify and save harmless the City from any damages on account of settlements or the loss of lateral support of adjoining property and from all loss or expense and all damages for which the City may become liable in consequence of such injury or damage to adjoining and adjacent structures and their premises.

#### 18. Accident Prevention

- (a) No laborer or mechanic employed in the performance of this Contract shall be required to work in surroundings or under working conditions which are unsanitary, hazardous, or dangerous to his health or safety as determined under construction safety and health standards promulgated by the Department of Labor.
- (b) The Contractor shall exercise proper precaution at all times for the protection of persons and property and shall be responsible for all damages to persons or property, either on or off the site, which occur as a result of his prosecution of the work.
- (c) The Contractor shall maintain an accurate record of all cases of death, occupational disease, or injury requiring medical attention or causing loss of time from work, arising out of and in the course of employment on work under the Contract. The Contractor shall promptly furnish the City with reports concerning these matters.
- (d) The Contractor shall indemnify and hold harmless the City from any claims for damages resulting from property damage, personal injury and/or death suffered or alleged to have been suffered by any person as a result of any work conducted under this contract.
- (e) The Contractor shall provide trench safety for all excavations more than five feet deep prior to excavation. All OSHA Standards for trench safety must be adhered to by the Contractor.
- (f) The contractor shall at all times conduct work in such a manner as to ensure the least possible inconvenience to vehicular and pedestrian traffic. At the close of the work each day, all streets where possible in the opinion of the City, shall be opened to the public in order that persons living in the area may have access to their homes or businesses by the use of the streets. Barricades, warning signs, and necessary lighting shall be provided to the satisfaction of the City at the expense of the Contractor.

#### 19. Sanitary Facilities

The Contractor shall furnish, install and maintain ample sanitary facilities for laborers. As the needs arise, a sufficient number of enclosed temporary toilets shall be conveniently placed as required. Drinking water shall be provided from an approved source, so piped or transported as to keep it safe and fresh and served from single service containers or satisfactory types of sanitary drinking stands or fountains. All such facilities and services shall be furnished in strict accordance with existing and governing health regulations.

#### 20. Use of Premises

- (a) The Contractor shall confine equipment, storage of materials, and construction operations to the contract limits as shown on the drawings and as prescribed by ordinances or permits, or as may be desired by the City, and shall not unreasonably encumber the site or public rights of way with materials and construction equipment.
- (b) The Contractor shall comply with all reasonable instructions of the City and all existing federal, state and local regulations regarding signs, advertising, traffic, fires, explosives, danger signals, and barricades.

## 21. Removal of Debris, Cleaning, Etc.

The Contractor shall, periodically or as directed during the progress of the work, remove and legally dispose of all surplus excavated material and debris, and keep the Project Area and public rights of way reasonably clear. Upon completion of the work, he shall remove all temporary construction facilities, debris and unused materials provided for work, and put the whole site of the work and public rights of way in a neat and clean condition.

## 22. Inspection

- (a) All materials and workmanship shall be subject to inspection, examination, or test by the City and Engineer at any and all times during manufacture or construction and at any and all places where such manufacture or construction occurs. The City shall have the right to reject defective material and workmanship or require its correction. Unacceptable workmanship shall be satisfactorily corrected. Rejected material shall be promptly segregated and removed from the Project Area and replaced with material of specified quality without charge. If the Contractor fails to proceed at once with the correction of rejected workmanship or defective material, the City may by contract or otherwise have the defects remedied or rejected materials removed from the Project Area and charge the cost of the same against any Monies which may be due the Contractor, without prejudice to any other rights or remedies of the City.
- (b) The Contractor shall furnish promptly all materials reasonably necessary for any tests which may be required. All tests by the City will be performed in such manner as not to delay the work unnecessarily and will be made in accordance with the provisions of the technical specifications.
- (c) The Contractor shall notify the City sufficiently in advance of back filling or concealing any facilities to permit proper inspection. If any facilities are concealed without approval or consent of the City, the Contractor shall uncover for inspection and recover such facilities at Contractor's expense, when so requested by the City.
- (d) Should it be considered necessary or advisable by the City at any time before final acceptance of the entire work to make an examination of work already completed, the Contractor shall on request promptly furnish all necessary facilities, labor, and material. If such work is found to be defective in any important or essential respect, due to fault of the Contractor or subcontractors, the Contractor shall defray all the expenses of such examination and of satisfactory reconstruction. If, however, such work is found to meet the requirements of the Contract, the actual cost of labor and material necessarily involved in the examination and replacement, shall be reimbursable and if completion of the work of the entire Contract has been delayed, a suitable extension of time will be approved.
- (e) Inspection of materials and appurtenances to be incorporated in the improvements included in this Contract may be made at the place of production, manufacture or shipment, whenever the quantity justifies it, and such inspection and acceptance, unless otherwise stated in the technical specifications, shall be final, except as regards to: (1) latent defects, (2) departures from specific requirements of the Contract, (3) damage or loss in transit, or (4) fraud or such gross mistakes as amount to fraud. Subject to the requirements contained in the preceding sentence, the inspection of materials as a whole or in part will be made at the Project Site.
- (f) Neither inspection, testing, approval nor acceptance of the work in whole or in part, by the City or its agents shall relieve the Contractor or its sureties of full responsibility for materials furnished or work performed not in strict accordance with the Contract.

## 23. Review by City

The City and its authorized representatives and agents shall have access to and be permitted to observe and review all work, materials, equipment, payrolls, personnel records, employment conditions, material invoices, and other relevant data and records pertaining to this Contract, provided, however that all instructions and approval with respect to the work will be given to the Contractor only by the City through its authorized representatives or agents.

#### 24. Final Inspection

When the Improvements included in this Contract are substantially completed, the Contractor shall notify the City in writing that the work will be ready for final inspection on a definite date which shall be stated in the notice. The City will make the arrangements necessary to have final inspection commenced on the date stated in the notice, or as soon thereafter as is practicable.

#### 25. Deduction for Uncorrected Work

If the City deems it not expedient to require the Contractor to correct work not done in accordance with the Contract Documents, an equitable deduction from the Contract Price will be made by agreement between the Contractor and the City and subject to settlement, in case of dispute, as herein provided.

#### 26. Insurance

The Contractor shall not commence work under this contract until all required insurance under this paragraph has been secured and approved by the City.

- (a) Worker's Compensation Insurance: The Contractor shall procure and shall maintain during the life of this contract Worker's Compensation Insurance as required by the State of Texas for all of his employees to be engaged in work at the site of the project under this contract and, in case of any such work sublet, the Contractor shall require the subcontractor similarly to provide Worker's Compensation Insurance for all of the employees to be engaged in such work unless such employees are covered by the protection afforded by the Contractor's Worker's Compensation Insurance.
- (b) Contractor's Public Liability and Property Damage Insurance and Vehicle Liability Insurance. The Contractor shall procure and shall maintain during the life of this contract Contractor's Public Liability Insurance, Contractor's Property Damage Insurance and Vehicle Liability Insurance in the following amounts: (\_\_\_\_\_).
- (c) Proof of Insurance: The Contractor shall furnish the City with certificates showing the type, amount, class of operations covered, effective dates and date of expiration of policies. Such certificates shall also contain substantially the following statement: "The insurance covered by this certificate will not be canceled or materially altered, except after ten (10) days written notice has been received by the City."

#### 27. Warranty of Title

No material, supplies, or equipment to be installed or furnished under this Contract shall be purchased subject to any chattel mortgage or under a conditional sale, lease-purchase or other agreement by which an interest is retained by the seller or supplier. The Contractor shall warrant good title to all materials, supplies, and equipment installed or incorporated in the work and upon completion of all work, shall deliver the same, together with all improvements and appurtenances constructed or placed by Contractor, to the City free from any claims, liens, or charges. Neither the Contractor nor any person, firm, or corporation furnishing any material or labor for any work covered by this Contract shall have any right to a lien upon any improvement or appurtenance. Nothing contained in this paragraph, however, shall defeat or impair the right of persons furnishing materials or labor to recover under any law permitting such persons to look to funds due the Contractor. The provisions of this paragraph shall be inserted in all subcontracts and material contracts and notice of its provisions shall be given to all persons furnishing materials for the work when no formal contract is entered into for such materials.

#### 28. Warranty of Workmanship and Materials

Neither the final certificate of payment nor any provision in the Contract nor partial or entire use of the improvements included in this Contract by the City or the public shall constitute an acceptance of work not done in accordance with the Contract or relieve the Contractor of liability in respect to any express warranties or responsibility for faulty materials or workmanship. The Contractor shall promptly remedy any defects in the work and pay for any damage to other work resulting therefrom which shall appear within a period of 12 months from the date of final acceptance of the work.

29. Job Offices

- (a) The Contractor and its subcontractors may maintain such office and storage facilities on the site as are necessary for the proper conduct of the work. These shall be located so as to cause no interference to any work to be performed on the site. The City shall be consulted with regard to locations.
- (b) Upon completion of the improvements, or as directed by the City, the Contractor shall remove all such temporary structures and facilities from the site, and leave the site of the work in the condition required by the Contract.

30. Partial Use of Site Improvements

The City may give notice to the Contractor and place in use those sections of the improvements which have been completed, inspected and can be accepted as complying with the technical specifications and if in its opinion, each such section is reasonably safe, fit, and convenient for the use and accommodation for which it was intended, provided:

- (a) The use of such sections of the Improvements shall in no way impede the completion of the remainder of the work by the Contractor.
- (b) The Contractor shall not be responsible for any damages or maintenance costs due directly to the use of such sections.

31. Contract Documents and Drawings

The City will furnish the Contractor without charge 3 copies of the Contract Documents, including Technical Specifications and Drawings. Additional copies requested by the Contractor will be furnished at cost.

32. Contract Period

The work to be performed under this contract shall commence within the time stipulated by the City/County in the Notice to Proceed, and shall be fully completed within 180 calendar days thereafter.

33. Liquidated Damages

Since the actual damages for any delay in completion of the work under this contract are impossible to determine, the Contractor and his Sureties shall be liable for and shall pay to the City the sum of Two Hundred Dollars (\$ 200) as fixed, agreed and liquidated damages for each calendar day of delay from the above stipulated time for completion.

ADMINISTRATIVE REQUIREMENTS

#### 34. Local Program Liaison

For purposes of this Agreement, the City Engineer or equivalent authorized person will serve as the Local Program Liaison and primary point of contact for the Contractor. All required progress reports and communication regarding the project shall be directed to this liaison and other local personnel as appropriate.

#### 35. Access to Information

(a) The U.S. Department of Housing and Urban Development (HUD), Inspectors General, the Comptroller General of the United States, the General Land Office (GLO), and the City, or any of their authorized representatives, shall have access to any documents, papers, or other records of the Contractor which are pertinent to the CDBG-MIT award, in order to make audits, examinations, excerpts, and transcripts, and to closeout the City's CDBG-MIT contract with GLO. **2 CFR 200.336 (former 24 CFR 85.36(i)(10))**

**The Office of the Comptroller General of the United States, the Government Accountability Office, the Office of Inspector General, or any authorized representative of the U.S. Government shall also have this right of inspection.**

(b) Contractor shall include the substance of this clause in all subcontracts it awards.

#### 36. Records Retention

(a) The Contractor shall retain all required records for three years after the City makes its final payment and all pending matters are closed. 2 CFR 200.333 (former 24 CFR (85.36(i)(11))

(b) Contractor shall include the substance of this clause in all subcontracts it awards.

#### FEDERAL REQUIRMENTS

#### 37. Resolution of Program Non-Compliance and Disallowed Costs

In the event of any dispute, claim, question, or disagreement arising from or relating to this Contract, or the breach thereof, including determination of responsibility for any costs disallowed as a result of non-compliance with federal, state or CDBG-MIT program requirements, the parties hereto shall use their best efforts to settle the dispute, claim, question or disagreement. To this effect, the parties shall consult and negotiate with each other in good faith within 30 days of receipt of a written notice of the dispute or invitation to negotiate, and attempt to reach a just and equitable solution satisfactory to both parties. If the matter is not resolved by negotiation within 30 days of receipt of written notice or invitation to negotiate, the parties agree first to try in good faith to settle the matter by mediation administered by the American Arbitration Association under its Commercial Mediation Procedures before resorting to arbitration, litigation, or some other dispute resolution procedure. The parties may enter into a written amendment to this Contract and choose a mediator that is not affiliated with the American Arbitration Association. The parties shall bear the costs of such mediation equally. *[This section may also provide for the qualifications of the mediator(s), the locale of meetings, time limits, or any other item of concern to the parties.]* If the matter is not resolved through such mediation within 60 days of the initiation of that procedure, either party may proceed to file suit.

#### 38. Compliance with Davis-Bacon Act

All laborers and mechanics employed upon the work covered by this Contract shall be paid unconditionally and not less often than once each week, and without subsequent deduction or rebate on any account (except such payroll deductions as are made mandatory by law and such other payroll deductions as are permitted by the applicable regulations issued by the Secretary of Labor, United States Department of Labor, pursuant to the Anti-Kickback Act hereinafter identified), the full amount due at time of payment computed at wage rates not less than those contained in the wage determination decision

of said Secretary of Labor (**a copy of which is attached as Attachment 22 and herein incorporated by reference**), regardless of any contractual relationship which may be alleged to exist between the Contractor or any subcontractor and such laborers and mechanics. All laborers and mechanics employed upon such work shall be paid in cash, except that payment may be by check if the employer provides or secures satisfactory facilities approved by the City for the cashing of the same without cost or expense to the employee. For the purpose of this clause, contributions made or costs reasonably anticipated under Section 1 (b) (2) of the Davis-Bacon Act on behalf of laborers or mechanics are considered wages paid to such laborers or mechanics, subject to the provisions of Section 5.5 (a) (1) (iv) of Title 29, Code of Federal Regulations. Also for the purpose of this clause, regular contributions made or costs incurred for more than a weekly period under plans, funds, or programs, but covering the particular weekly period, are deemed to be constructively made or incurred during such weekly period.

The Contractor and its subcontractors shall not, by any means, induce any person employed in the construction, completion, or repair of public work, give up any part of the compensation to which he or she is otherwise entitled. The City must report all suspected or reported violations to GLO.

#### 39. Conflicts of Interest

- (a) Governing Body. No member of the governing body of the City and no other officer, employee, or agent of the City, who exercises any functions or responsibilities in connection with administration, construction, engineering, or implementation of CDBG-MIT award between GLO and the City, shall have any personal financial interest, direct or indirect, in the Contractor or this Contract; and the Firm shall take appropriate steps to assure compliance.
- (b) Other Local Public Officials. No other public official, who exercises any functions or responsibilities in connection with the planning and carrying out of administration, construction, engineering or implementation of the CDBG-MIT award between GLO and the City/County, shall have any personal financial interest, direct or indirect, in the Contractor or this Contract; and the Contractor shall take appropriate steps to assure compliance.
- (c) The Contractor and Employees. The Contractor warrants and represents that it has no conflict of interest associated with the CDBG-MIT award between GLO and the City or this Contract. The Contractor further warrants and represents that it shall not acquire an interest, direct or indirect, in any geographic area that may benefit from the CDBG-MIT award between GLO and the City or in any business, entity, organization or person that may benefit from the award. The Contractor further agrees that it will not employ an individual with a conflict of interest as described herein.

#### 40. Debarment and Suspension (Executive Orders 12549 and 12689)

The Contractor certifies, by entering into this Contract, that neither it nor its principals are presently debarred, suspended, or otherwise excluded from or ineligible for participation in federally-assisted programs under Executive Orders 12549 (1986) and 12689 (1989). The term "principal" for purposes of this Contract is defined as an officer, director, owner, partner, key employee, or other person with primary management or supervisory responsibilities, or a person who has a critical influence on or substantive control over the operations of the Contractor. The Contractor understands that it must not make any award or permit any award (or contract) at any tier to any party which is debarred or suspended or is otherwise excluded from or ineligible for participation in Federal assistance programs under Executive Order 12549, "Debarment and Suspension."

A contract award (see 2 CFR 180.220) must not be made to parties listed on the government-wide Excluded Parties List System in the System for Award Management (SAM), in accordance with the OMB guidelines at 2 CFR 180 that implement Executive Orders 12549 (3 CFR Part 1986 Comp., p. 189) and 12689 (3 CFR Part 1989 Comp., p. 235), "Debarment and Suspension." SAM Exclusions contains the names of parties debarred, suspended, or otherwise excluded by agencies, as well as parties declared ineligible under statutory or regulatory authority other than Executive Order 12549. 2 CFR 200 APPENDIX II (H)

#### 41. [For Contracts that exceed \$100,000] Byrd Anti-Lobbying

Byrd Anti-Lobbying Amendment (31 U.S.C. 1352)—Contractors that apply or bid for an award of \$100,000 or more must file the required certification. Each tier certifies to the tier above that it will not and has not used Federal appropriated funds to pay any person or organization for influencing or attempting to influence an officer or employee of any agency, a member of Congress, officer or employee of Congress, or an employee of a member of Congress in connection with obtaining any Federal contract, grant or any other award covered by 31 U.S.C. 1352. Each tier must also disclose any lobbying with non-Federal funds that takes place in connection with obtaining any Federal award.

Such disclosures are forwarded from tier to tier up to the non-Federal award.

Contractor shall file the required certification: The undersigned certifies, to the best of his or her knowledge and belief, that:

- (a) No Federal appropriated funds have been paid or will be paid, by or on behalf of the undersigned, to any person for influencing or attempting to influence an officer or employee of an agency, a Member of Congress, an officer or employee of Congress, or an employee of a Member of Congress in connection with the awarding of any Federal contract, the making of any Federal grant, the making of any Federal loan, the entering into of any cooperative agreement, and the extension, continuation, renewal, amendment, or modification of any Federal contract, grant, loan, or cooperative agreement.
- (b) If any funds other than Federal appropriated funds have been paid or will be paid to any person for influencing or attempting to influence an officer or employee of any agency, a Member of Congress, an officer or employee of Congress, or an employee of a Member of Congress in connection with this Federal contract, grant, loan, or cooperative agreement, the undersigned shall complete and submit Standard Form-LLL, "Disclosure Form to Report Lobbying," in accordance with its instructions.
- (c) The undersigned shall require that the language of this certification be included in the award documents for all subawards at all tiers (including subcontracts, subgrants, and contracts under grants, loans, and cooperative agreements) and that all subrecipients shall certify and disclose accordingly. 2 CFR 200 APPENDIX II (I) and 24 CFR §570.303

#### 42. [For Contracts > \$100K] Overtime Requirements

No Contractor or subcontractor contracting for any part of the Contract work which may require or involve the employment of laborers or mechanics, including watchmen and guards, shall require or permit any laborer or mechanic in any workweek in which he is employed on such work to work in excess of 40 hours in such work week unless such laborer or mechanic receives compensation at a rate not less than one and one-half times his basic rate of pay for all hours worked in excess of 40 hours in such work week, as the case may be. 2 CFR 200 APPENDIX II (E)

#### 43. Equal Opportunity Clause

Comply with all Federal statutes relating to nondiscrimination. These include but are not limited to: (a) Title VI of the Civil Rights Act of 1964 (P.L. 88-352) which prohibits discrimination on the basis of race, color or national origin; (b) Title IX of the Education Amendments of 1972, as amended (20 U.S.C. §§1681-1683, and 1685-1686), which prohibits discrimination on the basis of sex; (c) Section 504 of the Rehabilitation Act of 1973, as amended (29 U.S.C. §794), which prohibits discrimination on the basis of handicaps; (d) the Age Discrimination Act of 1975, as amended (42 U.S.C. §§6101-6107), which prohibits discrimination on the basis of age; (e) the Drug Abuse Office and Treatment Act of 1972 (P.L. 92-255), as amended, relating to nondiscrimination on the basis of drug abuse; (f) the Comprehensive Alcohol Abuse and Alcoholism Prevention, Treatment and Rehabilitation Act of 1970 (P.L. 91-616), as amended, relating to nondiscrimination on the basis of alcohol abuse or alcoholism; (g) §§523 and 527 of the Public Health Service Act of 1912 (42 U.S.C. §§290 dd-3 and 290 ee-3), as amended, relating to confidentiality of alcohol and drug abuse patient records; (h) Title VIII of the Civil Rights Act of 1968 (42 U.S.C. §§3601 et seq.), as amended, relating to nondiscrimination in the sale, rental or financing of housing; (i) any other non-discrimination provisions in the specific statute(s) under which application for Federal assistance is being made; and, (j) the requirements of any other nondiscrimination statute(s) which may apply.

During the performance of this contract, the Contractor agrees as follows:



- (a.) The Contractor will not discriminate against any employee or applicant for employment because of race, color, religion, sex, sexual orientation, gender identity, or national origin. The Contractor will take affirmative action to ensure that applicants are employed, and that employees are treated during employment without regard to their race, color, religion, sex, sexual orientation, gender identity, or national origin. Such action shall include, but not be limited to the following: Employment, upgrading, demotion, or transfer; recruitment or recruitment advertising; layoff or termination; rates of pay or other forms of compensation; and selection for training, including apprenticeship. The Contractor agrees to post in conspicuous places, available to employees and applicants for employment, notices to be provided setting forth the provisions of this nondiscrimination clause.
- (b.) The Contractor will, in all solicitations or advertisements for employees placed by or on behalf of the Contractor, state that all qualified applicants will receive considerations for employment without regard to race, color, religion, sex, sexual orientation, gender identity, or national origin.
- (c.) The Contractor will not discourage or in any other manner discriminate against any employee or applicant for employment because such employee or applicant has inquired about, discussed, or disclosed the compensation of the employee or applicant or another employee or applicant. This provision shall not apply to instances in which an employee who has access to the compensation information of other employees or applicants as a part of such employee's essential job functions discloses the compensation of such other employees or applicants to individuals who do not otherwise have access to such information, unless such disclosure is in response to a formal complaint or charge, in furtherance of an investigation, proceeding, hearing, or action, including an investigation conducted by the employer, or is consistent with the contractor's legal duty to furnish information.
- (d.) The Contractor will send to each labor union or representative of workers with which he has a collective bargaining agreement or other contract or understanding, a notice to be provided advising the said labor union or workers' representatives of the Contractor's commitments under this section, and shall post copies of the notice in conspicuous places available to employees and applicants for employment.
- (e.) The Contractor will comply with all provisions of Executive Order 11246 of September 24, 1965, "Equal Employment Opportunity," and of the rules, regulations, and relevant orders of the Secretary of Labor.
- (f.) The Contractor will furnish all information and reports required by Executive Order 11246 of September 24, 1965, and by rules, regulations, and orders of the Secretary of Labor, or pursuant thereto, and will permit access to his books, records, and accounts by the administering agency and the Secretary of Labor for purposes of investigation to ascertain compliance with such rules, regulations, and orders.
- (g.) In the event of the Contractor's noncompliance with the nondiscrimination clauses of this contract or with any of the said rules, regulations, or orders, this contract may be canceled, terminated, or suspended in whole or in part and the Contractor may be declared ineligible for further Government contracts or federally assisted construction contracts in accordance with procedures authorized in Executive Order 11246 of September 24, 1965, and such other sanctions may be imposed and remedies invoked as provided in Executive Order 11246 of September 24, 1965, or by rule, regulation, or order of the Secretary of Labor, or as otherwise provided by law.
- (h.) The Contractor will include the portion of the sentence immediately preceding paragraph (a) and the provisions of paragraphs (a) through (h) in every subcontract or purchase order unless exempted by rules, regulations, or orders of the Secretary of Labor issued pursuant to section 204 of Executive Order 11246 of September 24, 1965, so that such provisions will be binding upon each subcontractor or vendor. The Contractor will take such action with respect to any subcontract or purchase order as the administering agency may direct as a means of enforcing such provisions, including sanctions for noncompliance: Provided, however, That in the event a Contractor becomes involved in, or is threatened with, litigation with a subcontractor or vendor as a result of such direction by the administering agency the Contractor may request the United States to enter into such litigation to protect the interests of the United States. 41 CFR §60-1.4(b) And 2 CFR 200 APPENDIX II (C)

#### 44. Section 109 of the Housing and Community Development Act of 1974.

The Contractor shall comply with the provisions of Section 109 of the Housing and Community Development Act of 1974. No person in the United States shall on the ground of race, color, national origin, religion, or sex be excluded from

participation in, be denied the benefits of, or be subjected to discrimination under any program or activity funded in whole or in part with funds made available under this title.

45. Davis-Bacon Act, as amended (40 U.S.C. 3141-3148).

When required by Federal program legislation, all prime construction contracts in excess of \$2,000 awarded by non-Federal entities must include a provision for compliance with the Davis-Bacon Act (40 U.S.C. 3141-3144, and 3146-3148) as supplemented by Department of Labor regulations (29 CFR Part 5, "Labor Standards Provisions Applicable to Contracts Covering Federally Financed and Assisted Construction"). In accordance with the statute, contractors must be required to pay wages to laborers and mechanics at a rate not less than the prevailing wages specified in a wage determination made by the Secretary of Labor. In addition, contractors must be required to pay wages not less than once a week. The non-Federal entity must place a copy of the current prevailing wage determination issued by the Department of Labor in each solicitation. The decision to award a contract or subcontract must be conditioned upon the acceptance of the wage determination. The non-Federal entity must report all suspected or reported violations to the Federal awarding agency. The contracts must also include a provision for compliance with the Copeland "Anti-Kickback" Act (40 U.S.C. 3145), as supplemented by Department of Labor regulations (29 CFR Part 3, "Contractors and Subcontractors on Public Building or Public Work Financed in Whole or in Part by Loans or Grants from the United States"). The Act provides that each contractor or subrecipient must be prohibited from inducing, by any means, any person employed in the construction, completion, or repair of public work, to give up any part of the compensation to which he or she is otherwise entitled. The non-Federal entity must report all suspected or reported violations to the Federal awarding agency. 2 CFR 200 APPENDIX II (D)

46. Contract Work Hours and Safety Standards Act (40 U.S.C. 3701–3708).

Where applicable, all contracts awarded by the non-Federal entity in excess of \$100,000 that involve the employment of mechanics or laborers must include a provision for compliance with 40 U.S.C. 3702 and 3704, as supplemented by Department of Labor regulations (29 CFR Part 5). Under 40 U.S.C. 3702 of the Act, each contractor must be required to compute the wages of every mechanic and laborer on the basis of a standard work week of 40 hours. Work in excess of the standard work week is permissible provided that the worker is compensated at a rate of not less than one and a half times the basic rate of pay for all hours worked in excess of 40 hours in the work week. The requirements of 40 U.S.C. 3704 are applicable to construction work and provide that no laborer or mechanic must be required to work in surroundings or under working conditions which are unsanitary, hazardous or dangerous. These requirements do not apply to the purchases of supplies or materials or articles ordinarily available on the open market, or contracts for transportation or transmission of intelligence. 2 CFR 200 APPENDIX II (E)

47. Section 504 Rehabilitation Act of 1973, as amended.

The Contractor agrees that no otherwise qualified individual with disabilities shall, solely by reason of his/her disability, be denied the benefits of, or be subjected to discrimination, including discrimination in employment, under any program or activity receiving federal financial assistance.

48. Age Discrimination Act of 1975.

The Contractor shall comply with the Age Discrimination Act of 1975 which provides that no person in the United States shall on the basis of age be excluded from participation in, be denied the benefits of, or be subjected to discrimination under any program or activity receiving federal financial assistance.

49. Non Segregated Facilities

The Contractor certifies that he does not and will not maintain or provide for his employees any segregated facilities at any of his establishments, and that he does not and will not permit his employees any segregated facilities at any of his establishments, or permit his employees to perform their services at any location, under his control, where segregated facilities are maintained. As used in this paragraph the term "segregated facilities" means any waiting rooms, work areas, rest rooms and washrooms, restaurants and other eating areas, time clocks, locker rooms and other storage or dressing

areas, parking lots, drinking fountains, recreation or entertainment areas, transportation, and housing facilities provided for employees which are segregated by explicit directive or are in fact segregated on the basis of race, creed, color, or national origin, because of habit, local custom, or otherwise.

50. The Provision of Local Training, Employment, and Business Opportunities

(a) To the greatest extent feasible opportunities for training and employment be given lower income residents of the project area and contracts for work in connection with the project be awarded to business concerns which are located in, or owned in substantial part by persons residing in the area of the project. See also GLO Section 3 Policy and "Exhibit G" on the GLO-DR website.

(b) The Contractor will include this clause in every subcontract for work in connection with the project.

51. Economic Opportunities for Section 3 Residents and Section 3 Business Concerns.

(a) The work to be performed under this Contract is subject to the requirements of section 3 of the Housing and Urban Development (HUD) Act of 1968, as amended, 12 U.S.C. 1701u (section 3). The purpose of section 3 is to ensure that employment and other economic opportunities generated by HUD assistance or HUD-assisted projects covered by section 3, shall, to the greatest extent feasible, be directed to low- and very low-income persons, particularly persons who are recipients of HUD assistance for housing.

(b) The parties to this Contract agree to comply with HUD's regulations in 24 CFR part 135, which implement section 3. As evidenced by their execution of this Contract, the parties to this Contract certify that they are under no contractual or other impediment that would prevent them from complying with the part 135 regulations.

(c) The Contractor agrees to send to each labor organization or representative of workers with which the Contractor has a collective bargaining agreement or other understanding, if any, a notice advising the labor organization or workers' representative of the Contractor's commitments under this section 3 clause, and will post copies of the notice in conspicuous places at the work site where both employees and applicants for training and employment positions can see the notice. The notice shall describe the section 3 preference, shall set forth minimum number and job titles subject to hire, availability of apprenticeship and training positions, the qualifications for each; and the name and location of the person(s) taking applications for each of the positions; and the anticipated date the work shall begin.

(d) The Contractor agrees to include this section 3 clause in every subcontract subject to compliance with regulations in 24 CFR part 135, and agrees to take appropriate action, as provided in an applicable provision of the subcontract or in this section 3 clause, upon a finding that the subcontractor is in violation of the regulations in 24 CFR part 135. The Contractor will not subcontract with any subcontractor where the Contractor has notice or knowledge that the subcontractor has been found in violation of the regulations in 24 CFR part 135.

(e) The Contractor will certify that any vacant employment positions, including training positions, that are filled (1) after the Contractor is selected but before the contract is executed, and (2) with persons other than those to whom the regulations of 24 CFR part 135 require employment opportunities to be directed, were not filled to circumvent the Contractor's obligations under 24 CFR part 135.

(f) Noncompliance with HUD's regulations in 24 CFR part 135 may result in sanctions, termination of this Contract for default, and debarment or suspension from future HUD assisted contracts.

(g) With respect to work performed in connection with section 3 covered Indian housing assistance, section 7(b) of the Indian Self-Determination and Education Assistance Act (25 U.S.C. 450e) also applies to the work to be performed under this Contract. Section 7(b) requires that to the greatest extent feasible (i) preference and opportunities for training and employment shall be given to Indians, and (ii) preference in the award of contracts and subcontracts shall be given to Indian organizations and Indian-owned Economic Enterprises. Parties to this contract that are subject to the provisions of section 3 and section 7(b) agree to comply with section 3 to the maximum extent feasible, but not in derogation of compliance with section 7(b). 24 CFR §135.38

## 52. Gender Neutral - Gender References

When necessary, unless the context clearly requires otherwise, any gender-specific or gender-neutral term in this Contract (for example, he, she, it, etc.) is to be read as referring to any other gender or to no gender.

## 53. Patent Rights and Inventions

Contractor shall comply with the requirements and regulations pertaining to patent rights with respect to any discovery or invention which arises or is developed in the course of or under such contract. (2 CFR 200 Appendix II (f) and Rights to Inventions in 37 CFR Part 401).

Rights to Inventions Made Under a Contract or Agreement - If the Federal award meets the definition of "funding agreement" under 37 CFR §401.2 (a) and the Subrecipient wishes to enter into a contract with a small business firm or nonprofit organization regarding the substitution of parties, assignment or performance of experimental, developmental, or research work under that "funding agreement," the Subrecipient must comply with the requirements of 37 CFR Part 401, "Rights to Inventions Made by Nonprofit Organizations and Small Business Firms Under Government Grants, Contracts and Cooperative Agreements," and any implementing regulations issued by the awarding agency.

## 54. Energy Efficiency

The Contractor shall comply with the mandatory standards and policies relating to energy efficiency which are contained in the state energy conservation plan issued in compliance with the Energy Policy and Conservation Act (42 U.S.C. 6201). (2 CFR 200 Appendix II (h)).

## 55. System for Award Management (SAM)

All contractors and subcontractors must be searched AND cleared (not suspended or debarred) prior to authorization to work on the project.

## 56. Solid Waste Disposal Act

Contractor must comply with section 6002 of the Solid Waste Disposal Act, as amended by the Resource Conservation and Recovery Act. The requirements of Section 6002 include procuring only items designated in guidelines of the Environmental Protection Agency (EPA) at 40 CFR part 247 that contain the highest percentage of recovered materials practicable, consistent with maintaining a satisfactory level of competition, where the purchase price of the item exceeds \$10,000 or the value of the quantity acquired during the preceding fiscal year exceeded \$10,000; procuring solid waste management services in a manner that maximizes energy and resource recovery; and establishing an affirmative procurement program for procurement of recovered materials identified in the EPA guidelines.

## 57. Procurement of Recovered Materials

(a) In the performance of this contract, the Contractor shall make maximum use of products containing recovered materials that are EPA- designated items unless the product cannot be acquired—

1. Competitively within a timeframe providing for compliance with the contract performance schedule;
2. Meeting contract performance requirements; or
3. At a reasonable price.

(c) Information about this requirement, along with the list of EPA-designate items, is available at EPA's Comprehensive Procurement Guidelines web site, <https://www.epa.gov/>

## 58. Domestic Preference

a. As appropriate and to the extent consistent with law, Contractor should, to the greatest extent practicable, provide a preference for the purchase, acquisition, or use of goods, products, or materials produced in the United States (including but not limited to iron, aluminum, steel, cement, and other manufactured products).

b. For purposes of section (a) above:

i. "Produced in the United States" means, for iron and steel products, that all manufacturing processes, from the initial melting stage through the application of coatings, occurred in the United States.

ii. "Manufactured products" means items and construction materials composed in whole or in part of non-ferrous metals such as aluminum; plastics and polymer-based products such as polyvinyl chloride pipe; aggregates such as concrete; glass, including optical fiber; and lumber.

## STATE REQUIREMENTS

### 58. Verification No Boycott Israel.

As required by Chapter 2270, Government Code, CONTRACTOR hereby verifies that it does not boycott Israel and will not boycott Israel through the term of this Agreement. For purposes of this verification, "boycott Israel" means refusing to deal with, terminating business activities with, or otherwise taking any action that is intended to penalize, inflict economic harm on, or limit commercial relations specifically with Israel, or with a person or entity doing business in Israel or in an Israeli-controlled territory, but does not include an action made for ordinary business purposes.

### 59. Foreign Terrorist Organizations.

Pursuant to Chapter 2252, Texas Government Code, [Company] represents and certifies that, at the time of execution of this Agreement neither [Company], nor any wholly owned subsidiary, majority-owned subsidiary, parent company or affiliate of the same (i) engages in business with Iran, Sudan, or any foreign terrorist organization as described in Chapters 806 or 807 of the Texas Government Code, or Subchapter F of Chapter 2252 of the Texas Government Code, or (ii) is a company listed by the Texas Comptroller of Public Accounts under Sections 806.051, 807.051, or 2252.153 of the Texas Government Code. The term "foreign terrorist organization" in this paragraph has the meaning assigned to such term in Section 2252.151 of the Texas Government Code.

## ENVIRONMENTAL CONDITIONS

### 60. [For Contracts > \$150K] Clean Air Act and the Federal Water Pollution Control Act

The Contractor or subcontractor shall comply with all applicable standards, orders or regulations issued pursuant to the Clean Air Act (42 U.S.C. 7401–7671q) and the Federal Water Pollution Control Act as amended (33 U.S.C. 1251–1387). Violations must be reported to the Federal awarding agency and the Regional Office of the Environmental Protection Agency (EPA). 2 CFR 200 APPENDIX II (G)

### 61. Lead-Based Paint

The Subrecipient agrees that any construction or rehabilitation of residential structures with assistance provided under this Agreement shall be subject to HUD Lead-Based Paint Regulations at 24 CFR 570.608, and 24 CFR Part 35, Subpart B. Such regulations pertain to all CDBG-assisted housing and require that all owners, prospective owners, and tenants of properties constructed prior to 1978 be properly notified that such properties may include lead-based paint. Such notification shall point out the hazards of lead-based paint and explain the symptoms, treatment and precautions that should be taken when dealing with lead-based paint poisoning and the advisability and availability of blood lead level screening for children under seven. The notice should also point out that if lead-based paint is found on the property, abatement measures may be undertaken. The regulations further require that, depending on the amount of Federal funds applied to a property, paint testing, risk assessment, treatment and/or abatement may be conducted.

### 62. Flood Disaster Protection

In accordance with the requirements of the Flood Disaster Protection Act of 1973 (42 U.S.C. 4001), the Subrecipient shall assure that for activities located in an area identified by the Federal Emergency Management Agency (FEMA) as having special flood hazards, flood insurance under the National Flood Insurance Program is obtained and maintained as a condition of financial assistance for acquisition or construction purposes (including rehabilitation).

63. Other Conditions

USE OF CLOUD-BASED CERTIFIED PAYROLL SOLUTION. Prime construction contractor and all subcontractors subject to Davis-Bacon certified payroll or other prevailing wage compliance requirements are strongly encouraged to use LCP tracker, a cloud-based SaaS solution, for any certified payroll tracking, construction site compliance, and workforce reporting. Access to LCPtracker will be furnished by the grant project Administrator at no cost to the contractor.

[Any special conditions such as mitigation measures will be carried out as instructed by the Environmental Review Record. Enter Mitigation Measures from City/County Environmental Review Record as applicable.](#)

# Equal Opportunity Guidelines for Construction Contractors

*Note: To be included in bid packet and distributed at the preconstruction conference (optional)*

**1. What are the responsibilities of the offeror or bidder to ensure equal employment opportunity?**

For contracts over \$ 10,000, the offeror or bidder must comply with the "Equal Opportunity Clause" and the "Standard Federal Equal Opportunity Construction Contract Specifications."

**2. Are construction contractors required to ensure a legal working environment for all employees?**

Yes, it is the construction contractor's responsibility to provide an environment free of harassment, intimidation, and coercion to all employees and to notify all foremen and supervisors to carry out this obligation, with specific attention to minority or female individuals.

**3. To alleviate developing separate facilities for men and women on all sites, can a construction contractor place all women employees on one site?**

No, two or more women should be assigned to each site when possible.

**4. Are construction contractors required to make special outreach efforts to Section 3 or minority and female recruitment sources?**

Yes, construction contractors must establish a current list of Section 3, minority and female recruitment sources. Notification of employment opportunities, including the availability of on-the-job training and apprenticeship programs, should be given to these sources. The efforts of the construction contractors should be kept in file.

**5. Should records be maintained on the number of Section 3 residents, minority and females applying for positions with construction contractors?**

Yes, records must be maintained to include a current list of names, addresses and telephone numbers of all Section 3, minority and female applicants. The documentation should also include the results of the applications submitted.

**6. What happens if a woman or minority is sent to the union by the Contractor and is not referred back to the Contractor for employment?**

If the unions impede the construction contractor's responsibility to provide equal employment opportunity, a written notice should be submitted to GLO.

**7. What efforts are made by construction contractors to create entry-level positions for Section 3 residents, women and minorities?**

Construction contractors are required to develop on-the-job training programs, or participate in training programs, especially those funded by the Department of Labor, to create positions for Section 3 residents, women and minorities and to meet employment needs.

**8. Are any efforts made by the Contractor to publicize their Equal Employment Opportunity (EEO) policy?**

Yes, the construction contractor is responsible for notifying unions and sources of training programs of their equal employment opportunity policy. Unions should be requested to cooperate in the effort of equal opportunity. The policy should be included in any appropriate manuals, or collective bargaining agreements. The construction contractor is encouraged to publicize the equal employment opportunity policy in the company newspaper and annual report. The Contractor is also responsible to include the EEO policy in all media advertisement.

**9. Are any in-service training programs provided for staff to update the EEO policy?**

At least annually a review of the EEO policy and the affirmative action obligations are required of all personnel employees of a decision-making status. A record of the meeting including date, time, location, persons present, subject matter discussed, and disposition of the subject matter should be maintained.

**10. What recruitment efforts are made for Section 3 residents, minorities and women?**

The construction contractor must notify, both orally and in writing, Section 3, minority and female recruitment sources one month prior to the date of acceptance for apprenticeship or other training programs.

**11. Are any measures taken to encourage promotions for minorities and women?**

Yes, an annual evaluation should be conducted for all minority and female personnel to encourage these employees to seek higher positions.

**12. What efforts are taken to insure that personnel policies are in accordance with the EEO policy?**

Personnel policies in regard to job practices, work assignments, etc. should be continually monitored to insure that the EEO policy is carried out.

**13. Can women be excluded from utilizing any facilities available to men?**

No, all facilities and company activities are non-segregated except for bathrooms or changing facilities to ensure privacy.

**14. What efforts should be utilized to include minority and female contractors and suppliers?**

Take affirmative steps to ensure that small, minority, and women owned businesses are included on all lists for contractors/service providers. Solicit these businesses when issuing RFPs and RFQs and soliciting construction bids. Divide project activities into small tasks to allow participation. Keep records of all offers to minority and female construction contractors.

**15. If a construction contractor participates in a business related association that does not comply with equal opportunity affirmative action standards, does that show his/her failure to comply?**

No, the construction contractor is responsible for its own compliance.

**16. Can a construction contractor hire a subcontractor who has been debarred from government contracts pursuant to EEO?**

No. The construction contractor must suspend, terminate or cancel its contract with any Subcontractor who is in violation of the EEO policy.

**17. What effort has been taken by the construction contractor to monitor all employment to insure the company EEO policy is being carried out?**

The construction contractor must designate a responsible individual to keep accurate records of all employees that includes specific information required by the government.




## SECTION 3 POLICY

In accordance with 12 U.S.C. 1701u, (Section 3), City of Kingsville agrees to implement the following steps, which, to the *greatest extent feasible*, will provide job training, employment and contracting opportunities for Section 3 residents and Section 3 businesses of the areas in which the program/project is being carried out.

- A. Introduce and pass a resolution adopting this plan as a policy to strive to attain goals for compliance to Section 3 regulations by increasing opportunities for employment and contracting for Section 3 residents and businesses.
- B. Assign duties related to implementation of this plan to the designated Section 3 Coordinator.
- C. Notify Section 3 residents and business concerns of potential new employment and contracting opportunities as they are triggered by CDBG-MIT grant awards through the use of: Public Hearings and related advertisements; public notices; bidding advertisements and bid documents; notification to local business organizations such as the Chamber(s) of Commerce or the Urban League; local advertising media including public signage; project area committees and citizen advisory boards; local HUD offices; regional planning agencies; and all other appropriate referral sources. Include Section 3 clauses in all covered solicitations and contracts.
- D. Maintain a list of those businesses that have identified themselves as Section 3 businesses for utilization in CDBG-MIT funded procurements, notify those businesses of pending contractual opportunities, and make this list available for general Grant Recipient procurement needs.
- E. Maintain a list of those persons who have identified themselves as Section 3 residents and contact those persons when hiring/training opportunities are available through either the Grant Recipient or contractors.
- F. Require that all Prime contractors and subcontractors with contracts over \$100,000 commit to this plan as part of their contract work. Monitor the contractors' performance with respect to meeting Section 3 requirements and require that they submit reports as may be required by HUD or GLO to the Grant Recipient.
- G. Submit reports as required by HUD or GLO regarding contracting with Section 3 businesses and/or employment as they occur; and submit reports within 20 days of federal fiscal year end (by October 20) which identify and quantify Section 3 businesses and employees.
- H. Maintain records, including copies of correspondence, memoranda, etc., which document all actions taken to comply with Section 3 regulations.

As officers and representatives of the City of Kingsville, we the undersigned have read and fully agree to this plan and become a party to the full implementation of this program.

  
Signature

Sam R. Fugate, Mayor  
Name, Title

December 13, 2021  
Date

## **STATEMENT OF BIDDER'S QUALIFICATIONS**

All questions must be answered and the data given must be clear and comprehensive. **This statement must be notarized.** If necessary, questions may be answered on separate attached sheets. The Bidder may submit any additional information it desires.

Date: \_\_\_\_\_

Bidder (Legal Name of Firm): \_\_\_\_\_

Date Organized: \_\_\_\_\_

Name of Owner(s): \_\_\_\_\_

Address: \_\_\_\_\_  
\_\_\_\_\_

Date Incorporated \_\_\_\_\_

Federal ID Number: \_\_\_\_\_

Number of Years in contracting business under present name \_\_\_\_\_

List all other names under which your business has operated in the last 10 years:

### **Work Presently Under Contract:**

Contract	Amount \$	Completion Date
_____	_____	_____
_____	_____	_____
_____	_____	_____

Type of work performed by your company: \_\_\_\_\_

Total Staff employed by Firm (Break down by Managers and Trades on separate sheet):  
\_\_\_\_\_  
\_\_\_\_\_  
\_\_\_\_\_

Have you ever failed to complete any work awarded to you?  Yes  No  
(If yes, please attach summary of details on a separate sheet. Include brief explanation of cause and resolution)

Have you ever defaulted on a contract?  Yes  No  
(If yes, please attach summary of details on a separate sheet.)

Has your organization had any disbarments or suspensions that have been imposed in the past five years or that was still in effect during the five-year period or is still in effect?  Yes  No

(If yes, list and explain; such list must include disbarments and suspensions of officers, principals, partners, members, and employees of your organization.)

List the projects most recently completed by your firm (include project of similar importance):

Project	Amount \$	Mo/Yr Completed
_____	_____	_____
_____	_____	_____

Major equipment available for **this** contract: \_\_\_\_\_  
\_\_\_\_\_  
\_\_\_\_\_

Are you in compliance with all applicable EEO requirements?  Yes  No  
(If no, please attach summary of details on a separate sheet.)

**(Optional) Minority Business Reporting Information:**

Owner's Race: \_\_\_\_\_  
Owner's Ethnicity: \_\_\_\_\_  
Owner's Gender: \_\_\_\_\_

Are you a Section 3 business? (see below)  Yes  No

Section 3 Business Concerns:

- a) Businesses that are 51 percent or more owned by Section 3 residents;
- b) Businesses whose permanent, full-time employees include persons, at least 30 percent of whom are currently Section 3 residents, or within three years of the date of first employment with the firm were Section 3 residents;
- c) Businesses that provide evidence of a commitment to subcontract in excess of 25 percent of the dollar amount of all subcontracts to be awarded to businesses that meet the qualifications described above; or
- d) Businesses located within the City/County's jurisdiction that identifies themselves as Section 3 Business Concerns because they provide economic opportunities for low- and very low-income persons.

**Bank References**

Address: \_\_\_\_\_ Contact Name: \_\_\_\_\_  
City & State: \_\_\_\_\_ Zip: \_\_\_\_\_ Phone Number: \_\_\_\_\_  
Credit available: \$ \_\_\_\_\_

Has the firm or predecessor firm been involved in a bankruptcy or reorganization?  Yes  No  
(If yes, please attach summary of details on a separate sheet.)

List on a sheet attached hereto all judgements, claims, arbitration proceedings, or suits pending or outstanding against bidder over the last five (5) years with amount of claim and brief description.

List on a sheet attached hereto all lawsuits or requested arbitration with regard to construction contracts which bidder has initiated within the last five (5) years and brief explanation of claim and outcome.

Attach resume(s) for the principal member(s) of your organization, including the officers as well as the proposed superintendent for the project.

Signed this \_\_\_\_\_ day of \_\_\_\_\_, 20\_\_\_\_.

\_\_\_\_\_  
Signature

\_\_\_\_\_  
Printed Name and Title

\_\_\_\_\_  
Company Name

**Notary Statement:**

\_\_\_\_\_ being duly sworn, says that he/she is the \_\_\_\_\_ Position/Title  
\_\_\_\_\_ of \_\_\_\_\_ (Firm Name), and hereby swears that the answers to the foregoing  
questions and all statements therein contained are true and correct. He/she hereby authorizes and requests any person,  
firm, or corporation to furnish any information requested City/County of \_\_\_\_\_ in verification of the  
recitals comprising this Statement of Bidder's Qualifications.

Subscribed and sworn before me this \_\_\_\_\_ day of \_\_\_\_\_, 20\_\_\_\_.

Notary Public

\_\_\_\_\_  
Signature

\_\_\_\_\_  
Printed Name

My Commission Expires: \_\_\_\_\_.

The penalty for making false statements is prescribed in the U. S. Criminal Code, 18 U.S.C. 1001.

# CONFLICT OF INTEREST QUESTIONNAIRE

For vendor doing business with local governmental entity

FORM CIQ

This questionnaire reflects changes made to the law by H.B. 23, 84th Leg., Regular Session.

This questionnaire is being filed in accordance with Chapter 176, Local Government Code, by a vendor who has a business relationship as defined by Section 176.001(1-a) with a local governmental entity and the vendor meets requirements under Section 176.006(a).

By law this questionnaire must be filed with the records administrator of the local governmental entity not later than the 7th business day after the date the vendor becomes aware of facts that require the statement to be filed. See Section 176.006(a-1), Local Government Code.

A vendor commits an offense if the vendor knowingly violates Section 176.006, Local Government Code. An offense under this section is a misdemeanor.

## OFFICE USE ONLY

Date Received

1 Name of vendor who has a business relationship with local governmental entity.

2  Check this box if you are filing an update to a previously filed questionnaire. (The law requires that you file an updated completed questionnaire with the appropriate filing authority not later than the 7th business day after the date on which you became aware that the originally filed questionnaire was incomplete or inaccurate.)

3 Name of local government officer about whom the information is being disclosed.

\_\_\_\_\_  
Name of Officer

4 Describe each employment or other business relationship with the local government officer, or a family member of the officer, as described by Section 176.003(a)(2)(A). Also describe any family relationship with the local government officer. Complete subparts A and B for each employment or business relationship described. Attach additional pages to this Form CIQ as necessary.

A. Is the local government officer or a family member of the officer receiving or likely to receive taxable income, other than investment income, from the vendor?

Yes  No

B. Is the vendor receiving or likely to receive taxable income, other than investment income, from or at the direction of the local government officer or a family member of the officer AND the taxable income is not received from the local governmental entity?

Yes  No

5 Describe each employment or business relationship that the vendor named in Section 1 maintains with a corporation or other business entity with respect to which the local government officer serves as an officer or director, or holds an ownership interest of one percent or more.

6  Check this box if the vendor has given the local government officer or a family member of the officer one or more gifts as described in Section 176.003(a)(2)(B), excluding gifts described in Section 176.003(a-1).

7

\_\_\_\_\_  
Signature of vendor doing business with the governmental entity

\_\_\_\_\_  
Date

**CONFLICT OF INTEREST QUESTIONNAIRE**  
**For vendor doing business with local governmental entity**

A complete copy of Chapter 176 of the Local Government Code may be found at <http://www.statutes.legis.state.tx.us/Docs/LG/htm/LG.176.htm>. For easy reference, below are some of the sections cited on this form.

**Local Government Code § 176.001(1-a):** "Business relationship" means a connection between two or more parties based on commercial activity of one of the parties. The term does not include a connection based on:

- (A) a transaction that is subject to rate or fee regulation by a federal, state, or local governmental entity or an agency of a federal, state, or local governmental entity;
- (B) a transaction conducted at a price and subject to terms available to the public; or
- (C) a purchase or lease of goods or services from a person that is chartered by a state or federal agency and that is subject to regular examination by, and reporting to, that agency.

**Local Government Code § 176.003(a)(2)(A) and (B):**

(a) A local government officer shall file a conflicts disclosure statement with respect to a vendor if:

\*\*\*

(2) the vendor:

(A) has an employment or other business relationship with the local government officer or a family member of the officer that results in the officer or family member receiving taxable income, other than investment income, that exceeds \$2,500 during the 12-month period preceding the date that the officer becomes aware that

(i) a contract between the local governmental entity and vendor has been executed;

or

(ii) the local governmental entity is considering entering into a contract with the vendor;

(B) has given to the local government officer or a family member of the officer one or more gifts that have an aggregate value of more than \$100 in the 12-month period preceding the date the officer becomes aware that:

(i) a contract between the local governmental entity and vendor has been executed; or

(ii) the local governmental entity is considering entering into a contract with the vendor.

**Local Government Code § 176.006(a) and (a-1)**

(a) A vendor shall file a completed conflict of interest questionnaire if the vendor has a business relationship with a local governmental entity and:

(1) has an employment or other business relationship with a local government officer of that local governmental entity, or a family member of the officer, described by Section 176.003(a)(2)(A);

(2) has given a local government officer of that local governmental entity, or a family member of the officer, one or more gifts with the aggregate value specified by Section 176.003(a)(2)(B), excluding any gift described by Section 176.003(a-1); or

(3) has a family relationship with a local government officer of that local governmental entity.

(a-1) The completed conflict of interest questionnaire must be filed with the appropriate records administrator not later than the seventh business day after the later of:

(1) the date that the vendor:

(A) begins discussions or negotiations to enter into a contract with the local governmental entity; or

(B) submits to the local governmental entity an application, response to a request for proposals or bids, correspondence, or another writing related to a potential contract with the local governmental entity; or

(2) the date the vendor becomes aware:

(A) of an employment or other business relationship with a local government officer, or a family member of the officer, described by Subsection (a);

(B) that the vendor has given one or more gifts described by Subsection (a); or

(C) of a family relationship with a local government officer.

# NONCOLLUSION AFFIDAVIT OF PRIME BIDDER

State of Texas )

County of \_\_\_\_\_)

\_\_\_\_\_, being first duly sworn, deposes and says that:

(1) He/She is \_\_\_\_\_ of \_\_\_\_\_, the Bidder that has submitted the attached Bid;

(2) He/She is fully informed respecting the preparation and contents of the attached Bid and of all pertinent circumstances respecting such Bid;

(3) Such Bid is genuine and is not a collusive or sham Bid;

(4) Neither the said Bidder nor any of its officers, partners, owners, agents, representatives, employees or parties in interest, including this affiant, has in any way colluded, conspired, connived or agreed, directly or indirectly with another Bidder, firm or person to submit a collusive or sham Bid in connection with the Contract for which the attached Bid has been submitted or to refrain from bidding in connection with such Contract, or has in any manner, directly or indirectly, sought by agreement or collusion or communication or conference with any other Bidder, firm or person to fix the price or prices in the attached Bid or of any other Bidder, or to fix an overhead, profit or cost element of the Bid price or the Bid price of any other Bidder, or to secure through any collusion, conspiracy, connivance or unlawful agreement any advantage against the \_\_\_\_\_ (Local Public Agency) or any person interested in the proposed Contract; and

(5) The price or prices quoted in the attached Bid are fair and proper and are not tainted by any collusion, conspiracy, connivance or unlawful agreement on the part of the Bidder or any of its agents, representatives, owners, employees, or parties in interest, including this affiant.

(Signed) \_\_\_\_\_

\_\_\_\_\_  
Title

Subscribed and sworn to me this \_\_\_\_\_ day of \_\_\_\_\_.

By: \_\_\_\_\_

Notary Public

My commission expires \_\_\_\_\_

**BID BOND**

KNOW ALL MEN BY THESE PRESENTS, that we the undersigned, \_\_\_\_\_ as PRINCIPAL, and \_\_\_\_\_, as SURETY are held and firmly bound unto City of Kingsville hereinafter called the "Local Public Agency", in the penal sum of \_\_\_\_\_ Dollars, (\$ \_\_\_\_\_), lawful money of the United States, for the payment of which sum well and truly to be made, we bind ourselves, our heirs, executors, administrators, successors, and assigns, jointly and severally, firmly by these presents.

THE CONDITION OF THIS OBLIGATION IS SUCH, that whereas the Principal has submitted the Accompanying Bid, dated \_\_\_\_\_, for \_\_\_\_\_

NOW, THEREFORE, the Principal shall not withdraw said Bid within the period specified therein after the opening of the same, or, if no period be specified, within thirty (60) days after the said opening, and shall within the period specified therefor, or if no period be specified, within ten (10) days after the prescribed forms are presented to him for signature, enter into a written contract with the Local Public Agency in accordance with the Bid as accepted, and give bond with good and sufficient surety or sureties, as may be required, for the faithful performance and proper fulfillment of such contract; or in the event of the withdrawal of said Bid within the period specified, or the failure to enter into such Contract and give such bond within the time specified, if the Principal shall pay the Local Public Agency the difference between the amount specified in said Bid and the amount for which the local Public Agency may procure the required work or supplies or both, if the latter be in excess of the former, then the above obligation shall be void and of no effect, otherwise to remain in full force and virtue.

IN WITNESS THEREOF, the above parties have executed this instrument this \_\_\_\_\_ day of \_\_\_\_\_, the name and corporate seal of each corporate party being hereto affixed and these present signed by its undersigned representative, pursuant to authority of its governing body.

(SEAL)

\_\_\_\_\_

(SEAL)

Attest:

By: \_\_\_\_\_

Affix  
Corporate  
Seal

Attest:

By: \_\_\_\_\_

Affix



Corporate  
Seal

Attest:

By: \_\_\_\_\_

Countersigned

By \_\_\_\_\_

\* Attorney-in-Fact, State of Texas

CERTIFICATE AS TO CORPORATE PRINCIPAL

I, \_\_\_\_\_, certify that I am the Secretary of the Corporation named as Principal in the bid bond; that \_\_\_\_\_, who signed the said bond on behalf of the Principal was then \_\_\_\_\_ of said corporation; that I know his/her signature, and his/her signature thereto is genuine; and that said bond was duly signed, sealed, and attested to, on behalf of said corporation by authority of its governing body.

Corporate  
Seal

Title: \_\_\_\_\_

\* Power-of-attorney for person signing for Surety Company must be attached to bond.

CONTRACTOR CERTIFICATIONS

U.S. Department of Housing and Urban Development

**CERTIFICATION OF BIDDER REGARDING CIVIL RIGHTS LAWS AND REGULATIONS**

INSTRUCTIONS

CERTIFICATION OF BIDDER REGARDING Executive Order 11246 and Federal Laws Requiring Federal Contractor to adopt and abide by equal employment opportunity and affirmative action in their hiring, firing, and promotion practices. This includes practices related to race, color, gender, religion, national origin, disability, and veterans' rights.

NAME AND ADDRESS OF BIDDER (include ZIP Code)

CERTIFICATION BY BIDDER

Bidder has participated in a previous contract or subcontract subject to Civil Rights Laws and Regulations.

Yes

No

The undersigned hereby certifies that:

- The Provision of Local Training, Employment, and Business Opportunities clause (Section 3 provision) is included in the Contract. A written Section 3 plan (Local Opportunity Plan) was prepared and submitted as part of the bid proceedings..

The Equal Opportunity clause is included in the Contract (if bid equals or exceeds \$10,000).

Have you ever been or are you being considered for sanction due to violation of Executive Order 11246, as amended?

Yes

No

NAME AND TITLE OF SIGNER (Please type)

SIGNATURE

DATE

# **CONTRACTOR'S CERTIFICATION of RECOVERED MATERIAL**

## **ACKNOWLEDGEMENT**

I, \_\_\_\_\_(Principal's Name)\_\_\_ of \_\_\_\_\_(Company Name)\_\_\_\_\_, (hereinafter called "Contractor"), acknowledge the recovered material bidding requirements found in 2 CFR 200.322 that requires the Contractor to procure those items designated in the guidelines of the Environmental Protection Agency (EPA) at 40 CFR 247 that contain the highest percentage of recovered materials practicable, consistent with maintaining a satisfactory level of competition.

I also acknowledge that this requirement shall apply to items purchased (1) where the Contractor purchases in excess of \$10,000 of the item under this contract; or (2) where during the preceding fiscal year, the value of the quantity acquired was in excess of \$10,000.

Finally, I acknowledge the attached list of recovered materials included in the bid documents.

(For up-to-date listing, please go to <https://www.epa.gov/smm/comprehensive-procurement-guideline-cpg-program#directory>)

\_\_\_\_\_  
Printed Name and Title

\_\_\_\_\_  
Signature

\_\_\_\_\_  
Date

## **USE OF RECOVERED MATERIAL**

**Please check one:**

- Recovered materials are included in this bid:  
Materials included \_\_\_\_\_
- Recovered materials are not reasonably available in a reasonable period of time.
- Recovered materials fail to meet reasonable performance standards, which are determined on the basis of the guidelines of the National Institute of Standards and Technology, if applicable.
- Recovered materials are only available at an unreasonable price.

\_\_\_\_\_  
Printed Name and Title

\_\_\_\_\_  
Signature

\_\_\_\_\_  
Date

## **CONTRACTOR'S LOCAL OPPORTUNITY PLAN**

\_\_\_\_\_ (Name of Company) agrees to implement the following specific affirmative action steps directed at increasing the utilization of lower income residents and businesses within the (City) of \_\_\_\_\_.

- A. To ascertain from the City's CDBG program official the exact boundaries of the project area and where advantageous, seek the assistance of local officials in preparing and implementing the affirmative action plan.
- B. To attempt to recruit from within the city the necessary number of lower income residents through: local advertising media, signs placed at the proposed site for the project, and community organizations and public or private institutions operating within and servicing the project area such as Service Employment and Redevelopment (SER), Opportunities Industrialization Center (OIC), Urban League, Concentrated Employment Program, Hometown Plan, or the U.S. Employment Service.
- C. To maintain a list of all lower income residents who have applied either on their own or on referral from any source, and to employ such persons, if otherwise eligible and if a vacancy exists.
- D. To insert this plan in all bid documents and to require all bidders on subcontracts to submit an affirmative action plan including utilization goals and the specific steps planned to accomplish these goals.
- E. To ensure that subcontracts (greater than \$10,000), which are typically let on a negotiated rather than a bid basis in areas other than the covered project area, are also let on a negotiated basis, whenever feasible, in a covered project area.
- F. To formally contact unions, subcontractors, and trade associations to secure their cooperation in this effort.
- G. To ensure that all appropriate project area business concerns are notified of pending sub-contractual opportunities.
- H. To maintain records, including copies of correspondence, memoranda, etc., which document that all of the above affirmative action steps have been taken.
- I. To appoint or recruit an executive official of the company or agency as Equal Opportunity Officer to coordinate the implementation of this plan.
- J. To maintain records concerning the amount and number of contracts, subcontracts, and purchases which contribute to objectives.
- K. To maintain records of all projected work force needs for all phases of the project by occupation, trade, skill level, and number of positions and to update these projections based on the extent to which hiring meets these Local Opportunity objectives.

As officers and representatives of \_\_\_\_\_ (Name of Company), we the undersigned have read and fully agree to this Plan and the City/County's Section 3 Plan, and become a party to the full implementation of the program and its provisions.

\_\_\_\_\_  
Signature

\_\_\_\_\_  
Printed Name

\_\_\_\_\_  
Title

\_\_\_\_\_  
Date

# Instructions for Proposed Contracts Breakdown and Estimated Project Workforce Breakdown

## Proposed Contracts Breakdown

Type of Contracts – list all construction, materials, or other types of subcontracts (for example: electrical, plumbing, concrete, boring, etc.)

No. of Contracts – Number of contracts under this category

Approximate Total Dollar Amount – Total amount of each contract

Estimated No. to Local Business – Number of contracts awarded to local businesses and Section 3 businesses

Estimated \$ Amount to Local Business - How many dollars will be spent locally for each type of contract? For example: will you hire any local employees or subcontractors?

## Estimated Project Workforce Breakdown

Work Classifications – Classification of project employees as defined on Wage Rate

Total Estimated Positions – List the number employees for each work classification will you need on this project

Number of Positions Currently Filled – List the number of estimated positions you currently have filled

Number of Positions Not Filled – List the number of estimated positions you currently do not have filled

Number of Positions to Fill with Low to Moderate Income (Section 3) Residents – List the number of local residents earning low to moderate incomes that you plan to employ to fill the estimated positions not filled

**PROPOSED CONTRACTS BREAKDOWN**

Type of Contracts	No. of Contracts	Approx. Total Dollar Amount	Estimated No. to local Business	Estimated \$ Amount Local Business

**ESTIMATED PROJECT WORKFORCE BREAKDOWN**

Work Classifications	Total Estimated Positions	No. of Positions Currently Filled	No. of Positions not Filled	No. of Positions to fill with LMI Residents (Section 3)
Totals				





**Texas General Land Office**  
 Community Development Block Grant (CDBG)  
 Disaster Recovery Program

**CERTIFICATION FOR BUSINESS CONCERNS**  
**Seeking Section 3 Preference in Contracting and**  
**Demonstration of Capability**

Economic Opportunities for Low and Very Low-Income Persons

Grantee/Subrecipient:	Contract Number:	Date:
<input type="text"/>	<input type="text"/>	<input type="text"/>

**CONTRACTOR INFORMATION**

Name of Business

Address of Business

- Type of Business:  Corporation       Partnership       Non-Profit  
 Sole Proprietorship       Joint Venture      Consortium

**Attach the following documentation as evidence of Section 3 eligible status:**  
 (Definition of "Section 3 Business Concern" in 24 CFR 135 describes the three alternative qualifications.)

**For Business claiming status as a Section 3 resident-owned enterprise:**

- |   |   |
|---|---|
| <input type="checkbox"/> Copy of resident lease   | <input type="checkbox"/> Copy of receipt of public assistance |
| <input type="checkbox"/> Copy of evidence of participation in a public assistance program | <input type="checkbox"/> Other evidence                       |

**For business entity as applicable:**

- |   |   |
|---|---|
| <input type="checkbox"/> Copy of Articles of Incorporation                                      | <input type="checkbox"/> Certificate of Good Standing |
| <input type="checkbox"/> Assumed Business Name Certificate                                      | <input type="checkbox"/> Partnership Agreement        |
| <input type="checkbox"/> List of owners/stockholders and % ownership of each appointed officers | <input type="checkbox"/> Corporation Annual Report    |
| <input type="checkbox"/> Organization chart with names and titles and brief function statement  | <input type="checkbox"/> Latest Board minutes         |
|   | <input type="checkbox"/> Additional documentation     |

**For business entity claiming Section 3 status by subcontracting 25 percent of the dollar awarded to qualified Section 3 business(es):**

- List of subcontracted Section 3 business(es) and subcontract amount

**For business claiming Section 3 status, by claiming at least 30 percent of their workforce are currently Section 3 residents or were Section 3 eligible residents within 3 years of date of first employment with the business:**

- |   |   |
|---|---|
| <input type="checkbox"/> List of all current full-time employees                            | <input type="checkbox"/> List of employees claiming Section 3 status                                  |
| <input type="checkbox"/> PHA/IHA Residential lease less than 3 years from day of employment | <input type="checkbox"/> Other evidence of Section 3 status less than 3 years from date of employment |

**Evidence of ability to perform successfully under the terms and conditions of the proposed contract:**

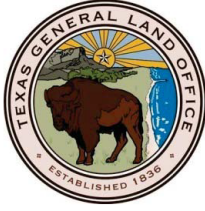
- |   |  |
|---|--|
| <input type="checkbox"/> Current financial statement                  | <input type="checkbox"/> Statement of ability to comply with public policy |
| <input type="checkbox"/> List of owned equipment                      |  |
| <input type="checkbox"/> List of all contracts for the past two years |  |

Authorized Name and Signature \_\_\_\_\_

Date \_\_\_\_\_

Attested By: \_\_\_\_\_

(Corporate Seal)



**Texas General Land Office**  
Community Development Block Grant (CDBG)  
Disaster Recovery Program

**Contractor Certification of Efforts to Fully Comply  
with Employment and Training Provisions of Section 3**

Economic Opportunities for Low and Very Low-Income Persons

**THE BIDDER REPRESENTS AND CERTIFIES AS PART OF ITS BID/OFFER THAT IT:**

<input type="checkbox"/> Is a Section 3 Business Concern. A Section 3 Business Concern means a business concern:
<ol style="list-style-type: none"> <li>1. That is 51% or more owned by Section 3 Resident(s); or</li> <li>2. Whose permanent, full-time employees include persons, at least 30% of whom are currently Section 3 Residents, or</li> <li>3. That provides evidence of a commitment to subcontract in excess of 25% of the dollar value of all subcontracts to be awarded to Section 3 Business Concerns, that meet the qualifications set forth in paragraphs 1 or 2 herein.</li> </ol>
<input type="checkbox"/> Is <b>NOT</b> a Section 3 Business Concern, but who has and will continue to seek compliance with Section 3 by certifying the following efforts to be undertaken.
<b>EFFORTS TO AWARD SUBCONTRACTOR TO SECTION 3 CONCERNS</b> (Check ALL that apply)
<input type="checkbox"/> By contacting business assistance agencies, minority contractors associations and community organizations to inform them of the contracting opportunities and requesting their assistance in identifying Section 3 businesses which may solicit bids for a portion of the work.
<input type="checkbox"/> By advertising contracting opportunities by posting notices, which provide general information about the work to be contracted and where to obtain additional information, in the common areas of the applicable development(s) owned and managed by the Housing Authority.
<input type="checkbox"/> By providing written notice to all known Section 3 Business Concerns of contracting opportunities. This notice should be in sufficient time to allow the Section 3 Business Concerns to respond to bid invitations
<input type="checkbox"/> By following up with Section 3 Business Concerns that have expressed interest in the contracting opportunities.
<input type="checkbox"/> By coordinating meetings at which Section 3 Business Concerns could be informed of specific elements of the work for which subcontract bids are being sought.
<input type="checkbox"/> By conducting workshops on contracting procedures and specific contracting opportunities in a timely manner so that Section 3 Business Concerns can take advantage of contracting opportunities.
<input type="checkbox"/> By advising Section Business Concerns as to where they seek assistance to overcome barriers such as inability to obtain bonding, lines of credit, financing, or insurance and aiding Section 3 Businesses in qualifying for such bonding, financing, insurance, etc....
<input type="checkbox"/> Where appropriate, by breaking out contract work into economically feasible units to facilitate participation by Section 3 businesses.
<input type="checkbox"/> By developing and using a list of eligible Section 3 Business Concerns.
<input type="checkbox"/> By actively supporting and undertaking joint ventures with Section 3 Businesses.
<b>EFFORTS TO PROVIDE TRAINING AND EMPLOYMENT TO SECTION 3 RESIDENTS</b>
<input type="checkbox"/> By entering into a "first source" hiring agreements with organizations representing Section 3 Residents.
<input type="checkbox"/> By establishing training programs, which are consistent with the requirements of the Department of Labor, specifically for Section 3 Residents in the building trades.
<input type="checkbox"/> By advertising employment and training positions to dwelling units occupied by Category 1 and 2 residents.
<input type="checkbox"/> By contacting resident councils and other resident organizations in the affected housing development to request assistance in notifying residents of the training and employment positions to be filled.
<input type="checkbox"/> By arranging interviews and conducting interviews on the job site.
<input type="checkbox"/> By undertaking such continued job-training efforts as may be necessary to ensure the continued employment of Section 3 Residents previously hired for employment opportunities.

Contractor Name/Business Name:

Signature Field

Date/Time Field

**CERTIFICATION REGARDING LOBBYING  
COMPLIANT WITH APPENDIX A TO 24 C.F.R. PART 87\***

(To be submitted with each bid or offer exceeding \$100,000)

Certification for Contracts, Grants, Loans, and Cooperative Agreements:

The undersigned certifies, to the best of his or her knowledge and belief, that:

(1) No Federal appropriated funds have been paid or will be paid, by or on behalf of the undersigned, to any person for influencing or attempting to influence an officer or employee of an agency, a Member of Congress, an officer or employee of Congress, or an employee of a Member of Congress in connection with the awarding of any Federal contract, the making of any Federal grant, the making of any Federal loan, the entering into of any cooperative agreement, and the extension, continuation, renewal, amendment, or modification of any Federal contract, grant, loan, or cooperative agreement.

(2) If any funds other than Federal appropriated funds have been paid or will be paid to any person for influencing or attempting to influence an officer or employee of any agency, a Member of Congress, an officer or employee of Congress, or an employee of a Member of Congress in connection with this Federal contract, grant, loan, or cooperative agreement, the undersigned shall complete and submit Standard Form-LLL, "Disclosure Form to Report Lobbying," in accordance with its instructions.

(3) The undersigned shall require that the language of this certification be included in the award documents for all subawards at all tiers (including subcontracts, subgrants, and contracts under grants, loans, and cooperative agreements) and that all subrecipients shall certify and disclose accordingly.

This certification is a material representation of fact upon which reliance was placed when this transaction was made or entered into. Submission of this certification is a prerequisite for making or entering into this transaction imposed by section 1352, title 31, U.S. Code. Any person who fails to file the required certification shall be subject to a civil penalty of not less than \$10,000 and not more than \$100,000 for each such failure.

Statement for Loan Guarantees and Loan Insurance:

The undersigned states, to the best of his or her knowledge and belief, that: If any funds have been paid or will be paid to any person for influencing or attempting to influence an officer or employee of any agency, a Member of Congress, an officer or employee of Congress, or an employee of a Member of Congress in connection with this commitment providing for the United States to insure or guarantee a loan, the undersigned shall complete and submit Standard Form-LLL, "Disclosure Form to Report Lobbying," in accordance with its instructions. Submission of this statement is a prerequisite for making or entering into this transaction imposed by section 1352, title 31, U.S. Code. Any person who fails to file the required statement shall be subject to a civil penalty of not less than \$10,000 and not more than \$100,000 for each such failure.

As the duly authorized representative of the Contractor, I hereby certify that the applicant will comply with the above applicable certification.

\_\_\_\_\_  
Signature of Contractor's Authorized Official

\_\_\_\_\_  
Printed Name and Title of Contractor's Authorized Official

\_\_\_\_\_  
Date

\*24 C.F.R. 87 App. A, available at <https://www.gpo.gov/fdsys/granule/CFR-2011-title24-vol1/CFR-2011-title24-vol1-part87-appA>. Published Apr. 1, 2011. Accessed Aug. 1, 2018.

## INSTRUCTIONS FOR COMPLETION OF SF-LLL, DISCLOSURE OF LOBBYING ACTIVITIES

This disclosure form shall be completed by the reporting entity, whether subawardee or prime Federal recipient, at the initiation or receipt of a covered Federal action, or a material change to a previous filing, pursuant to title 31 U.S.C. section 1352. The filing of a form is required for each payment or agreement to make payment to any lobbying entity for influencing or attempting to influence an officer or employee of any agency, a Member of Congress, an officer or employee of Congress, or an employee of a Member of Congress in connection with a covered Federal action. Complete all items that apply for both the initial filing and material change report. Refer to the implementing guidance published by the Office of Management and Budget for additional information.

1. Identify the type of covered Federal action for which lobbying activity is and/or has been secured to influence the outcome of a covered Federal action.
2. Identify the status of the covered Federal action.
3. Identify the appropriate classification of this report. If this is a followup report caused by a material change to the information previously reported, enter the year and quarter in which the change occurred. Enter the date of the last previously submitted report by this reporting entity for this covered Federal action.
4. Enter the full name, address, city, State and zip code of the reporting entity. Include Congressional District, if known. Check the appropriate classification of the reporting entity that designates if it is, or expects to be, a prime or subaward recipient. Identify the tier of the subawardee, e.g., the first subawardee of the prime is the 1st tier. Subawards include but are not limited to subcontracts, subgrants and contract awards under grants.
5. If the organization filing the report in item 4 checks "Subawardee," then enter the full name, address, city, State and zip code of the prime Federal recipient. Include Congressional District, if known.
6. Enter the name of the federal agency making the award or loan commitment. Include at least one organizational level below agency name, if known. For example, Department of Transportation, United States Coast Guard.
7. Enter the Federal program name or description for the covered Federal action (item 1). If known, enter the full Catalog of Federal Domestic Assistance (CFDA) number for grants, cooperative agreements, loans, and loan commitments.
8. Enter the most appropriate Federal identifying number available for the Federal action identified in item 1 (e.g., Request for Proposal (RFP) number; Invitations for Bid (IFB) number; grant announcement number; the contract, grant, or loan award number; the application/proposal control number assigned by the Federal agency). Included prefixes, e.g., "RFP-DE-90-001."
9. For a covered Federal action where there has been an award or loan commitment by the Federal agency, enter the Federal amount of the award/loan commitment for the prime entity identified in item 4 or 5.
10. (a) Enter the full name, address, city, State and zip code of the lobbying registrant under the Lobbying Disclosure Act of 1995 engaged by the reporting entity identified in item 4 to influence the covered Federal action.  
  
(b) Enter the full names of the individual(s) performing services, and include full address if different from 10(a). Enter Last Name, First Name, and Middle Initial (MI).

11. The certifying official shall sign and date the form, print his/her name, title, and telephone number.

According to the Paperwork Reduction Act, as amended, no persons are required to respond to a collection of information unless it displays a valid OMB control Number. The valid OMB control number for this information collection is OMB No. 4040-0013. Public reporting burden for this collection of information is estimated to average 10 minutes per response, including time for reviewing instructions, searching existing data sources, gathering and maintaining the data needed, and completing and reviewing the collection of information. Send comments regarding the burden estimate or any other aspect of this collection of information, including suggestions for reducing this burden, to the Office of Management and Budget, Paperwork Reduction Project (4040-0013), Washington, DC 20503

### Disclosure of Lobbying Activities

Complete this form to disclose lobbying activities pursuant to 31 U.S.C. 1352

(See reverse for public burden disclosure)

<p><b>1. Type of Federal Action:</b></p> <p>a. contract          _____ b. grant          c. cooperative agreement          d. loan          e. loan guarantee          f. loan insurance</p>	<p><b>2. Status of Federal Action:</b></p> <p>a. bid/offer/application          _____ b. initial award          c. post-award</p>	<p><b>3. Report Type:</b></p> <p>a. initial filing          _____ b. material change</p> <p><b>For material change only:</b>          Year _____ quarter _____          Date of last report _____</p>
<p><b>4. Name and Address of Reporting Entity:</b></p> <p>_____ Prime _____ Subawardee          Tier _____, if Known:</p> <p><b>Congressional District, if known:</b></p>	<p><b>5. If Reporting Entity in No. 4 is Subawardee,</b>          Enter Name and Address of Prime:</p> <p><b>Congressional District, if known:</b></p>	
<p><b>6. Federal Department/Agency:</b></p>	<p><b>7. Federal Program Name/Description:</b></p> <p>CFDA Number, if applicable: _____</p>	
<p><b>8. Federal Action Number, if known:</b></p>	<p><b>9. Award Amount, if known:</b></p> <p>\$ _____</p>	
<p><b>10. a. Name and Address of Lobbying Registrant</b>  <i>(if individual, last name, first name, MI):</i></p>	<p><b>b. Individuals Performing Services</b> <i>(including address if different from No. 10a)</i>  <i>(last name, first name, MI):</i></p>	
<p><b>11. Information requested through this form is authorized by title 31 U.S.C. section 1352. This disclosure of lobbying activities is a material representation of fact upon which reliance was placed</b></p>	<p><b>Signature:</b> _____</p>	

by the tier above when this transaction was made or entered into. This disclosure is required pursuant to 31 U.S.C. 1352. This information will be reported to the Congress semi-annually and will be available for public inspection. Any person who fails to file the required disclosure shall be subject to a civil penalty of not less than \$10,000 and not more than \$100,000 for each such failure.

Print Name: \_\_\_\_\_

Title: \_\_\_\_\_

Telephone No.: \_\_\_\_\_ Date: \_\_\_\_\_

**Federal Use Only**

Authorized for Local Reproduction  
Standard Form - LLL (Rev. 7-97)

MINORITY/FEMALE GOALS AND TIMETABLES

The female employment goal is effective as of April 1980 and is currently 6.9%. The percentages for minority participation in Texas are:

<b>Texarkana Area:</b>	
Texarkana & Bowie Co.	19.7
Non-MSA Counties of Camp, Cass, Lamar, Morris, Red River & Titus	20.2
<b>Tyler-Longview Area:</b>	
Longview, Gregg Co. & Harrison Co.	22.8
Tyler & Smith Co.	23.5
Non-MSA Counties of Anderson, Angelina, Cherokee, Henderson, Marion, Nacogdoches, Panola, Rusk, San Augustine, Shelby, Upshur & Wood	22.5
<b>Beaumont-Port Arthur Area:</b>	
Beaumont, Port Arthur, Orange, Hardin Co., Jefferson Co., & Orange Co.	22.6
Non-MSA Counties of Jasper, Houston, Newton, Sabine, & Tyler	22.6
<b>Houston Area:</b>	
Bryan, College Station & Brazos Co.	23.7
Galveston, Texas City & Galveston Co.	28.9
Houston, Brazoria Co., Fort Bend Co., Harris Co., Liberty Co., Montgomery Co. & Waller Co.	27.3
Non-MSA Counties of Austin, Burleson, Calhoun, Chambers, Colorado, DeWitt, Fayette, Goliad, Grimes, Jackson, Lavaca, Leon, Madison, Matagorda, Polk, Robertson, San Jacinto, Trinity, Victoria, Walker, Washington, & Wharton	27.4
<b>Austin Area:</b>	
Austin, Hays Co., Travis Co., & Williamson Co.	24.1
Non-MSA Counties of Bastrop, Blanco, Burnet, Caldwell, Lee & Llano	24.2
<b>Waco, Killeen, Temple Area:</b>	
Killeen, Temple, Bell Co. & Coryell Co.	16.4
Waco & McLennan Co.	20.7
Non-MSA Counties of Bosque, Falls, Freestone, Hamilton, Hill, Lampasas, Limestone, Milam & Mills	18.6
<b>Dallas, Fort Worth Area:</b>	
Dallas, Fort Worth, Collin Co., Dallas Co., Denton Co., Ellis Co., Hood Co., Johnson Co., Kaufman Co., Parker Co., Rockwall Co., Tarrant Co. & Wise Co.	18.2
Sherman, Denison & Grayson Co.	9.4
Non-MSA Counties of Cooke, Delta, Erath, Fannin, Franklin, Hopkins, Hunt, Jack, Montague, Navarro, Palo Pinto, Rains, Somervell, & Van Zandt	17.2



<b><u>Wichita Falls Area:</u></b>	
Wichita Falls, Clay Co. & Wichita Co.	12.4
Non-MSA Counties of Archer, Baylor, Cottle, Foard, Hardeman, Wilbarger & Young	11.0
<b><u>Abilene Area:</u></b>	
Abilene, Callaghan Co., Jones Co. & Taylor Co.	11.6
Non-MSA Counties of Brown, Coleman, Comanche, Eastland, Fisher, Haskell, Kent, Knox, Mitchell, Nolan, Scurry, Shackelford, Stephens, Stonewall & Throckmorton	10.9
<b><u>San Angelo Area:</u></b>	
San Angelo & Tom Green Co.	19.2
Non-MSA Counties of Coke, Concho, Crockett, Irion, Kimble, McCullough, Mason, Menard, Reagan, Runnels, San Saba, Schleicher, Sterling, Sutton & Terrell	20.0
<b><u>San Antonio Area:</u></b>	
Laredo & Webb Co.	87.3
San Antonio, Bexar Co., Comal Co. & Guadalupe Co.	47.8
Non-MSA Counties of Atascosa, Bandera, Dimmit, Edwards, Frio, Gillespie, Gonzales, Jim Hogg, Karnes, Kendall, Kerr, Kinney, La Salle, McMullen, Maverick, Medina, Real, Uvalde, Val Verde, Wilson, Zapata & Zavala	49.4
<b><u>Corpus Christi Area:</u></b>	
Corpus Christi, Nueces Co. & San Patricio Co.	41.7
Non-MSA Counties of Aransas, Bee, Brooks, Duval, Jim Wells, Kenedy, Kleberg, Live Oak & Refugio	44.2
<b><u>Brownsville, McAllen, Harlingen Area:</u></b>	
Brownsville, Harlingen, San Benito & Cameron Co.	71.0
McAllen, Pharr, Edinburg & Hidalgo Co.	72.8
Non-MSA Counties of Starr & Willacy	72.9
<b><u>Odessa, Midland Area:</u></b>	
Midland & Midland Co.	19.1
Odessa & Ector Co.	15.1
Non-MSA Counties of Andrews, Crane, Glasscock, Howard, Loving, Martin, Pecos, Reeves, Upton, Ward & Winkler	18.9
<b><u>El Paso Area:</u></b>	
El Paso & El Paso Co.	57.8
Non-MSA Counties of Brewster, Culbertson, Hudspeth, Jeff Davis & Presidio	49.0

<b>Lubbock Area:</b>	
Lubbock & Lubbock Co.	19.6
Non-MSA Counties of Bailey, Borden, Cochran, Crosby, Dawson, Dickens, Floyd, Gaines, Garza, Hale, Hockley, King, Lamb, Lynn, Motley, Terry & Yoakum	19.5
<b>Amarillo Area:</b>	
Amarillo, Potter Co. & Randall Co.	9.3
Non-MSA Counties of Armstrong, Briscoe, Carson, Castro, Childress, Collingsworth, Dallam, Deaf Smith, Donley, Gray, Hall, Hansford, Hartley, Hemphill, Hutchinson, Lipscomb, Moore, Ochiltree, Oldham, Parmer, Roberts, Sherman, Swisher, & Wheeler	11.0

**A. APPLICABILITY**

The Project or Program to which the construction work covered by this Contract pertains is being assisted by the United States of America, and the following Federal Labor Standards Provisions are included in this Contract pursuant to the provisions applicable to such Federal assistance.

**1. Minimum wages and fringe benefits**

i. All laborers and mechanics employed or working upon the site of the work (or otherwise working in construction or development of the project under a development statute), will be paid unconditionally and not less often than once a week, and without subsequent deduction or rebate on any account (except such payroll deductions as are permitted by regulations issued by the Secretary of Labor under the Copeland Act (29 CFR part 3)), the full amount of basic hourly wages and bona fide fringe benefits (or cash equivalents thereof) due at time of payment computed at rates not less than those contained in the wage determination of the Secretary of Labor which is attached hereto and made a part hereof, regardless of any contractual relationship which may be alleged to exist between the contractor and such laborers and mechanics. As provided in 29 CFR 5.5(d) and (e), the appropriate wage determinations are effective by operation of law even if they have not been attached to the contract. Contributions made or costs reasonably anticipated for bona fide fringe benefits under the Davis-Bacon Act (40 U.S.C. 3141(2)(B)) on behalf of laborers or mechanics are considered wages paid to such laborers or mechanics, subject to the provisions of paragraph (a)(1)(v) of these contract clauses; also, regular contributions made or costs incurred for more than a weekly period (but not less often than quarterly) under plans, funds, or programs which cover the particular weekly period, are deemed to be constructively made or incurred during such weekly period. Such laborers and mechanics must be paid the appropriate wage rate and fringe benefits on the wage determination for the classification(s) of work actually performed, without regard to skill, except as provided in 29 CFR 5.5(a)(4). Laborers or mechanics performing work in more than one classification may be compensated at the rate specified for each classification for the time actually worked therein: *Provided*, That the employer's payroll records accurately set forth the time spent in each classification in which work is performed. The wage determination (including any additional classifications and wage rates conformed under 29 CFR 5.5(a)(1)(iii)) and the Davis-Bacon poster (WH-1321) must be posted at all times by the contractor and its subcontractors at the site of the work in a prominent and accessible place where it can be easily seen by the workers.

**ii. Frequently recurring classifications**

A. In addition to wage and fringe benefit rates that have been determined to be prevailing under the procedures set forth in 29 CFR part 1, a wage determination may contain, pursuant to § 1.3(f), wage and fringe benefit rates for classifications of laborers and mechanics for which conformance requests are regularly submitted pursuant to 29 CFR 5.5(a)(1)(iii), provided that:

1. The work performed by the classification is not performed by a classification in the wage determination for which a prevailing wage rate has been determined;
2. The classification is used in the area by the construction industry; and
3. The wage rate for the classification bears a reasonable relationship to the prevailing wage rates contained in the wage determination.

B. The Administrator will establish wage rates for such classifications in accordance with 29 CFR 5.5(a)(1)(iii)(A)(3). Work performed in such a classification must be paid at no less than the wage and fringe benefit rate listed on the wage determination for such classification.

**iii. Conformance**

A. The contracting officer must require that any class of laborers or mechanics, including helpers, which is not listed in the wage determination and which is to be employed under the contract be

classified in conformance with the wage determination. Conformance of an additional classification and wage rate and fringe benefits is appropriate only when the following criteria have been met:

1. The work to be performed by the classification requested is not performed by a classification in the wage determination; and
  2. The classification is used in the area by the construction industry; and
  3. The proposed wage rate, including any bona fide fringe benefits, bears a reasonable relationship to the wage rates contained in the wage determination.
- B. The conformance process may not be used to split, subdivide, or otherwise avoid application of classifications listed in the wage determination.
- C. If the contractor and the laborers and mechanics to be employed in the classification (if known), or their representatives, and the contracting officer agree on the classification and wage rate (including the amount designated for fringe benefits where appropriate), a report of the action taken will be sent by the contracting officer by email to [DBAconformance@dol.gov](mailto:DBAconformance@dol.gov). The Administrator, or an authorized representative, will approve, modify, or disapprove every additional classification action within 30 days of receipt and so advise the contracting officer or will notify the contracting officer within the 30-day period that additional time is necessary.
- D. In the event the contractor, the laborers or mechanics to be employed in the classification or their representatives, and the contracting officer do not agree on the proposed classification and wage rate (including the amount designated for fringe benefits, where appropriate), the contracting officer will, by email to [DBAconformance@dol.gov](mailto:DBAconformance@dol.gov), refer the questions, including the views of all interested parties and the recommendation of the contracting officer, to the Administrator for determination. The Administrator, or an authorized representative, will issue a determination within 30 days of receipt and so advise the contracting officer or will notify the contracting officer within the 30-day period that additional time is necessary.
- E. The contracting officer must promptly notify the contractor of the action taken by the Wage and Hour Division under 29 CFR 5.5 (a)(1)(iii)(C) and (D). The contractor must furnish a written copy of such determination to each affected worker or it must be posted as a part of the wage determination. The wage rate (including fringe benefits where appropriate) determined pursuant to 29 CFR 5.5 (a)(1)(iii)(C) or (D) must be paid to all workers performing work in the classification under this contract from the first day on which work is performed in the classification.

iv. **Fringe benefits not expressed as an hourly rate**

Whenever the minimum wage rate prescribed in the contract for a class of laborers or mechanics includes a fringe benefit which is not expressed as an hourly rate, the contractor may either pay the benefit as stated in the wage determination or may pay another bona fide fringe benefit or an hourly cash equivalent thereof.

v. **Unfunded plans**

If the contractor does not make payments to a trustee or other third person, the contractor may consider as part of the wages of any laborer or mechanic the amount of any costs reasonably anticipated in providing bona fide fringe benefits under a plan or program, *Provided*, That the Secretary of Labor has found, upon the written request of the contractor, in accordance with the criteria set forth in 29 CFR 5.28, that the applicable standards of the Davis-Bacon Act have been met. The Secretary of Labor may require the contractor to set aside in a separate account assets for the meeting of obligations under the plan or program.

vi. **Interest** In the event of a failure to pay all or part of the wages required by the contract, the contractor will be required to pay interest on any underpayment of wages.



## 2. Withholding

### i. Withholding requirements

The U. S. Department of Housing and Urban Development may, upon its own action, or must, upon written request of an authorized representative of the Department of Labor, withhold or cause to be withheld from the contractor so much of the accrued payments or advances as may be considered necessary to satisfy the liabilities of the prime contractor or any subcontractor for the full amount of wages and monetary relief, including interest, required by the clauses set forth in 29 CFR 5.5(a) for violations of this contract, or to satisfy any such liabilities required by any other Federal contract, or federally assisted contract subject to Davis-Bacon labor standards, that is held by the same prime contractor (as defined in 29 CFR 5.2). The necessary funds may be withheld from the contractor under this contract, any other Federal contract with the same prime contractor, or any other federally assisted contract that is subject to Davis-Bacon labor standards requirements and is held by the same prime contractor, regardless of whether the other contract was awarded or assisted by the same agency, and such funds may be used to satisfy the contractor liability for which the funds were withheld. In the event of a contractor's failure to pay any laborer or mechanic, including any apprentice or helper working on the site of the work (or otherwise working in construction or development of the project under a development statute) all or part of the wages required by the contract, or upon the contractor's failure to submit the required records as discussed in 29 CFR 5.5(a)(3)(iv), HUD may on its own initiative and after written notice to the contractor, sponsor, applicant, owner, or other entity, as the case may be, take such action as may be necessary to cause the suspension of any further payment, advance, or guarantee of funds until such violations have ceased.

### ii. Priority to withheld funds

The Department has priority to funds withheld or to be withheld in accordance with 29 CFR 5.5(a)(2)(i) or (b)(3)(i), or both, over claims to those funds by:

- A. A contractor's surety(ies), including without limitation performance bond sureties and payment bond sureties;
- B. A contracting agency for its procurement costs;
- C. A trustee(s) (either a court-appointed trustee or a U.S. trustee, or both) in bankruptcy of a contractor, or a contractor's bankruptcy estate;
- D. A contractor's assignee(s);
- E. A contractor's successor(s); or
- F. A claim asserted under the Prompt Payment Act, 31 U.S.C. 3901-3907.

## 3. Records and certified payrolls

### i. Basic record requirements

- A. **Length of record retention.** All regular payrolls and other basic records must be maintained by the contractor and any subcontractor during the course of the work and preserved for all laborers and mechanics working at the site of the work (or otherwise working in construction or development of the project under a development statute) for a period of at least 3 years after all the work on the prime contract is completed.
- B. **Information required** Such records must contain the name; Social Security number; last known address, telephone number, and email address of each such worker; each worker's correct classification(s) of work actually performed; hourly rates of wages paid (including rates of contributions or costs anticipated for bona fide fringe benefits or cash equivalents thereof of the types described in 40 U.S.C. 3141(2)(B) of the Davis-Bacon Act); daily and weekly number of hours actually worked in total and on each covered contract; deductions made; and actual wages paid.
- C. **Additional records relating to fringe benefits.** Whenever the Secretary of Labor has found under 29 CFR 5.5(a)(1)(v) that the wages of any laborer or mechanic include the amount of any

costs reasonably anticipated in providing benefits under a plan or program described in 40 U.S.C. 3141(2)(B) of the Davis-Bacon Act, the contractor must maintain records which show that the commitment to provide such benefits is enforceable, that the plan or program is financially responsible, and that the plan or program has been communicated in writing to the laborers or mechanics affected, and records which show the costs anticipated or the actual cost incurred in providing such benefits.

- D. **Additional records relating to apprenticeship** Contractors with apprentices working under approved programs must maintain written evidence of the registration of apprenticeship programs, the registration of the apprentices, and the ratios and wage rates prescribed in the applicable programs.

ii. **Certified payroll requirements**

A. **Frequency and method of submission** The contractor or subcontractor must submit weekly, for each week in which any DBA- or Related Acts-covered work is performed, certified payrolls to HUD if the agency is a party to the contract, but if the agency is not such a party, the contractor will submit the certified payrolls to the applicant, sponsor, owner, or other entity, as the case may be, that maintains such records, for transmission to HUD. The prime contractor is responsible for the submission of all certified payrolls by all subcontractors. A contracting agency or prime contractor may permit or require contractors to submit certified payrolls through an electronic system, as long as the electronic system requires a legally valid electronic signature; the system allows the contractor, the contracting agency, and the Department of Labor to access the certified payrolls upon request for at least 3 years after the work on the prime contract has been completed; and the contracting agency or prime contractor permits other methods of submission in situations where the contractor is unable or limited in its ability to use or access the electronic system

B. **Information required** The certified payrolls submitted must set out accurately and completely all of the information required to be maintained under 29 CFR 5.5(a)(3)(i)(B), except that full Social Security numbers and last known addresses, telephone numbers, and email addresses must not be included on weekly transmittals. Instead, the certified payrolls need only include an individually identifying number for each worker (*e.g.*, the last four digits of the worker's Social Security number). The required weekly certified payroll information may be submitted using Optional Form WH-347 or in any other format desired. Optional Form WH-347 is available for this purpose from the Wage and Hour Division Web site at <https://www.dol.gov/sites/dolgov/files/WHD/leqacy/files/wh347.pdf> or its successor website. It is not a violation of this section for a prime contractor to require a subcontractor to provide full Social Security numbers and last known addresses, telephone numbers, and email addresses to the prime contractor for its own records, without weekly submission by the subcontractor to the sponsoring government agency (or the applicant, sponsor, owner, or other entity, as the case may be, that maintains such records).

C. **Statement of Compliance** Each certified payroll submitted must be accompanied by a "Statement of Compliance," signed by the contractor or subcontractor, or the contractor's or subcontractor's agent who pays or supervises the payment of the persons working on the contract, and must certify the following:

1. That the certified payroll for the payroll period contains the information required to be provided under 29 CFR 5.5(a)(3)(ii), the appropriate information and basic records are being maintained under 29 CFR 5.5 (a)(3)(i), and such information and records are correct and complete;
2. That each laborer or mechanic (including each helper and apprentice) working on the contract during the payroll period has been paid the full weekly wages earned, without rebate, either directly or indirectly, and that no deductions have been made either directly or indirectly



- from the full wages earned, other than permissible deductions as set forth in 29 CFR part 3; and
3. That each laborer or mechanic has been paid not less than the applicable wage rates and fringe benefits or cash equivalents for the classification(s) of work actually performed, as specified in the applicable wage determination incorporated into the contract.
  - D. **Use of Optional Form WH-347** The weekly submission of a properly executed certification set forth on the reverse side of Optional Form WH-347 will satisfy the requirement for submission of the "Statement of Compliance" required by 29 CFR 5.5(a)(3)(ii)(C).
  - E. **Signature** The signature by the contractor, subcontractor, or the contractor's or subcontractor's agent must be an original handwritten signature or a legally valid electronic signature.
  - F. **Falsification** The falsification of any of the above certifications may subject the contractor or subcontractor to civil or criminal prosecution under 18 U.S.C. 1001 and 31 U.S.C. 3729.
  - G. **Length of certified payroll retention** The contractor or subcontractor must preserve all certified payrolls during the course of the work and for a period of 3 years after all the work on the prime contract is completed.
- iii. **Contracts, subcontracts, and related documents** The contractor or subcontractor must maintain this contract or subcontract and related documents including, without limitation, bids, proposals, amendments, modifications, and extensions. The contractor or subcontractor must preserve these contracts, subcontracts, and related documents during the course of the work and for a period of 3 years after all the work on the prime contract is completed.
- iv **Required disclosures and access**
- A. **Required record disclosures and access to workers** The contractor or subcontractor must make the records required under 29 CFR 5.5(a)(3)(i)–(iii), and any other documents that HUD or the Department of Labor deems necessary to determine compliance with the labor standards provisions of any of the applicable statutes referenced by 29 CFR 5.1, available for inspection, copying, or transcription by authorized representatives of HUD or the Department of Labor, and must permit such representatives to interview workers during working hours on the job.
  - B. **Sanctions for non-compliance with records and worker access requirements** If the contractor or subcontractor fails to submit the required records or to make them available, or refuses to permit worker interviews during working hours on the job, the Federal agency may, after written notice to the contractor, sponsor, applicant, owner, or other entity, as the case may be, that maintains such records or that employs such workers, take such action as may be necessary to cause the suspension of any further payment, advance, or guarantee of funds. Furthermore, failure to submit the required records upon request or to make such records available, or to permit worker interviews during working hours on the job, may be grounds for debarment action pursuant to 29 CFR 5.12. In addition, any contractor or other person that fails to submit the required records or make those records available to WHD within the time WHD requests that the records be produced will be precluded from introducing as evidence in an administrative proceeding under 29 CFR part 6 any of the required records that were not provided or made available to WHD. WHD will take into consideration a reasonable request from the contractor or person for an extension of the time for submission of records. WHD will determine the reasonableness of the request and may consider, among other things, the location of the records and the volume of production.
  - C. **Required information disclosures** Contractors and subcontractors must maintain the full Social Security number and last known address, telephone number, and email address of each covered worker, and must provide them upon request to HUD if the agency is a party to

the contract, or to the Wage and Hour Division of the Department of Labor. If the Federal agency is not such a party to the contract, the contractor, subcontractor, or both, must, upon request, provide the full Social Security number and last known address, telephone number, and email address of each covered worker to the applicant, sponsor, owner, or other entity, as the case may be, that maintains such records, for transmission to HUD, the contractor, or the Wage and Hour Division of the Department of Labor for purposes of an investigation or other compliance action.

**4. Apprentices and equal employment opportunity**

**i. Apprentices**

- A. **Rate of pay** Apprentices will be permitted to work at less than the predetermined rate for the work they perform when they are employed pursuant to and individually registered in a bona fide apprenticeship program registered with the U.S. Department of Labor, Employment and Training Administration, Office of Apprenticeship (OA), or with a State Apprenticeship Agency recognized by the OA. A person who is not individually registered in the program, but who has been certified by the OA or a State Apprenticeship Agency (where appropriate) to be eligible for probationary employment as an apprentice, will be permitted to work at less than the predetermined rate for the work they perform in the first 90 days of probationary employment as an apprentice in such a program. In the event the OA or a State Apprenticeship Agency recognized by the OA withdraws approval of an apprenticeship program, the contractor will no longer be permitted to use apprentices at less than the applicable predetermined rate for the work performed until an acceptable program is approved.
- B. **Fringe benefits** Apprentices must be paid fringe benefits in accordance with the provisions of the apprenticeship program. If the apprenticeship program does not specify fringe benefits, apprentices must be paid the full amount of fringe benefits listed on the wage determination for the applicable classification. If the Administrator determines that a different practice prevails for the applicable apprentice classification, fringe benefits must be paid in accordance with that determination.
- C. **Apprenticeship ratio** The allowable ratio of apprentices to journeymen on the job site in any craft classification must not be greater than the ratio permitted to the contractor as to the entire work force under the registered program or the ratio applicable to the locality of the project pursuant to 29 CFR 5.5(a)(4)(i)(D). Any worker listed on a payroll at an apprentice wage rate, who is not registered or otherwise employed as stated in 29 CFR 5.5(a)(4)(i)(A), must be paid not less than the applicable wage rate on the wage determination for the classification of work actually performed. In addition, any apprentice performing work on the job site in excess of the ratio permitted under this section must be paid not less than the applicable wage rate on the wage determination for the work actually performed.
- D. **Reciprocity of ratios and wage rates** Where a contractor is performing construction on a project in a locality other than the locality in which its program is registered, the ratios and wage rates (expressed in percentages of the journeyworker's hourly rate) applicable within the locality in which the construction is being performed must be observed. If there is no applicable ratio or wage rate for the locality of the project, the ratio and wage rate specified in the contractor's registered program must be observed.

- ii **Equal employment opportunity** The use of apprentices and journeymen under this part must be in conformity with the equal employment opportunity requirements of Executive Order 11246, as amended, and 29 CFR part 30.

**5 Compliance with Copeland Act requirements.** The contractor shall comply with the requirements of 29 CFR part 3, which are incorporated by reference in this contract.



6 **Subcontracts.** The contractor or subcontractor must insert in any subcontracts the clauses contained in 29 CFR 5.5(a)(1) through (11), along with the applicable wage determination(s) and such other clauses or contract modifications as the U.S. Department of Housing and Urban Development may by appropriate instructions require, and a clause requiring the subcontractors to include these clauses and wage determination(s) in any lower tier subcontracts. The prime contractor is responsible for the compliance by any subcontractor or lower tier subcontractor with all the contract clauses in this section. In the event of any violations of these clauses, the prime contractor and any subcontractor(s) responsible will be liable for any unpaid wages and monetary relief, including interest from the date of the underpayment or loss, due to any workers of lower-tier subcontractors, and may be subject to debarment, as appropriate.

7 **Contract termination: debarment.** A breach of the contract clauses in 29 CFR 5.5 may be grounds for termination of the contract, and for debarment as a contractor and a subcontractor as provided in 29 CFR 5.12.

8 **Compliance with Davis-Bacon and Related Act requirements.** All rulings and interpretations of the Davis-Bacon and Related Acts contained in 29 CFR parts 1, 3, and 5 are herein incorporated by reference in this contract.

9 **Disputes concerning labor standards.** Disputes arising out of the labor standards provisions of this contract shall not be subject to the general disputes clause of this contract. Such disputes shall be resolved in accordance with the procedures of the Department of Labor set forth in 29 CFR parts 5, 6, and 7. Disputes within the meaning of this clause include disputes between the contractor (or any of its subcontractors) and the contracting agency, the U.S. Department of Labor, or the employees or their representatives.

10. **Certification of eligibility.**

i. By entering into this contract, the contractor certifies that neither it nor any person or firm who has an interest in the contractor's firm is a person or firm ineligible to be awarded Government contracts by virtue of 40 U.S.C. 3144(b) or 29 CFR 5.12(a).

ii. No part of this contract shall be subcontracted to any person or firm ineligible for award of a Government contract by virtue of 40 U.S.C. 3144(b) or 29 CFR 5.12(a).

iii. The penalty for making false statements is prescribed in the U.S. Code, Title 18 Crimes and Criminal Procedure, 18 U.S.C. 1001.

11 **Anti-retaliation** It is unlawful for any person to discharge, demote, intimidate, threaten, restrain, coerce, blacklist, harass, or in any other manner discriminate against, or to cause any person to discharge, demote, intimidate, threaten, restrain, coerce, blacklist, harass, or in any other manner discriminate against, any worker or job applicant for:

i. Notifying any contractor of any conduct which the worker reasonably believes constitutes a violation of the DBA, Related Acts, or 29 CFR parts 1, 3, or 5;

ii. Filing any complaint, initiating or causing to be initiated any proceeding, or otherwise asserting or seeking to assert on behalf of themselves or others any right or protection under the DBA, Related Acts, or 29 CFR parts 1, 3, or 5;

iii. Cooperating in any investigation or other compliance action, or testifying in any proceeding under the DBA, Related Acts, or 29 CFR parts 1, 3, or 5; or

iv. Informing any other person about their rights under the DBA, Related Acts, or 29 CFR parts 1, 3, or 5.

B. **Contract Work Hours and Safety Standards Act (CWHSSA)**

The Agency Head must cause or require the contracting officer to insert the following clauses set forth in 29 CFR 5.5(b)(1), (2), (3), (4), and (5) in full, or (for contracts covered by the Federal Acquisition Regulation) by reference, in any contract in an amount in excess of \$100,000 and subject to the overtime provisions of the Contract Work Hours and Safety Standards Act. These clauses must

be inserted in addition to the clauses required by 29 CFR 5.5(a) or 4.6. As used in this paragraph, the terms “laborers and mechanics” include watchpersons and guards.

1. **Overtime requirements.** No contractor or subcontractor contracting for any part of the contract work which may require or involve the employment of laborers or mechanics shall require or permit any such laborer or mechanic in any workweek in which he or she is employed on such work to work in excess of forty hours in such workweek unless such laborer or mechanic receives compensation at a rate not less than one and one-half times the basic rate of pay for all hours worked in excess of forty hours in such workweek.
2. **Violation; liability for unpaid wages; liquidated damages.** In the event of any violation of the clause set forth in 29 CFR 5.5(b)(1) the contractor and any subcontractor responsible therefor shall be liable for the unpaid wages and interest from the date of the underpayment. In addition, such contractor and subcontractor shall be liable to the United States (in the case of work done under contract for the District of Columbia or a territory, to such District or to such territory), for liquidated damages. Such liquidated damages shall be computed with respect to each individual laborer or mechanic, including watchpersons and guards, employed in violation of the clause set forth in 29 CFR 5.5(b)(1), in the sum of \$31 for each calendar day on which such individual was required or permitted to work in excess of the standard workweek of forty hours without payment of the overtime wages required by the clause set forth in 29 CFR 5.5(b)(1).
3. **Withholding for unpaid wages and liquidated damages**
  - i. **Withholding process** The U.S Department of Housing and Urban Development or the recipient of Federal assistance may, upon its own action, or must, upon written request of an authorized representative of the Department of Labor, withhold or cause to be withheld from the contractor so much of the accrued payments or advances as may be considered necessary to satisfy the liabilities of the prime contractor or any subcontractor for any unpaid wages; monetary relief, including interest; and liquidated damages required by the clauses set forth in 29 CFR 5.5(b) on this contract, any other Federal contract with the same prime contractor, or any other federally assisted contract subject to the Contract Work Hours and Safety Standards Act that is held by the same prime contractor (as defined in 29 CFR 5.2). The necessary funds may be withheld from the contractor under this contract, any other Federal contract with the same prime contractor, or any other federally assisted contract that is subject to the Contract Work Hours and Safety Standards Act and is held by the same prime contractor, regardless of whether the other contract was awarded or assisted by the same agency, and such funds may be used to satisfy the contractor liability for which the funds were withheld.
  - ii **Priority to withheld funds** The Department has priority to funds withheld or to be withheld in accordance with 29 CFR 5.5(a)(2)(i) or (b)(3)(i), or both, over claims to those funds by:
    - A. A contractor’s surety(ies), including without limitation performance bond sureties and payment bond sureties;
    - B. A contracting agency for its procurement costs;
    - C. A trustee(s) (either a court-appointed trustee or a U.S. trustee, or both) in bankruptcy of a contractor, or a contractor’s bankruptcy estate;
    - D. A contractor’s assignee(s);
    - E. A contractor’s successor(s); or
    - F. A claim asserted under the Prompt Payment Act, 31 U.S.C. 3901-3907.
4. **Subcontracts.** The contractor or subcontractor must insert in any subcontracts the clauses set forth in 29 CFR 5.5(b)(1) through (5) and a clause requiring the subcontractors to include these clauses in any lower tier subcontracts. The prime contractor is responsible for compliance by any subcontractor or lower tier subcontractor with the clauses set forth in 29 CFR 5.5(b)(1) through (5). In the event of any violations of these clauses, the prime contractor and any subcontractor(s) responsible will be liable for any unpaid wages and monetary relief, including interest from the date of the underpayment or loss,



due to any workers of lower-tier subcontractors, and associated liquidated damages and may be subject to debarment, as appropriate.

5. **Anti-retaliation** It is unlawful for any person to discharge, demote, intimidate, threaten, restrain, coerce, blacklist, harass, or in any other manner discriminate against, or to cause any person to discharge, demote, intimidate, threaten, restrain, coerce, blacklist, harass, or in any other manner discriminate against, any worker or job applicant for:
- i. Notifying any contractor of any conduct which the worker reasonably believes constitutes a violation of the Contract Work Hours and Safety Standards Act (CWHSSA) or its implementing regulations in 29 CFR part 5;
  - ii. Filing any complaint, initiating or causing to be initiated any proceeding, or otherwise asserting or seeking to assert on behalf of themselves or others any right or protection under CWHSSA or 29 CFR part 5;
  - iii. Cooperating in any investigation or other compliance action, or testifying in any proceeding under CWHSSA or 29 CFR part 5; or
  - iv. Informing any other person about their rights under CWHSSA or 29 CFR part 5.
- C. **CWHSSA required records clause** In addition to the clauses contained in 29 CFR 5.5(b), in any contract subject only to the Contract Work Hours and Safety Standards Act and not to any of the other laws referenced by 29 CFR 5.1, the Agency Head must cause or require the contracting officer to insert a clause requiring that the contractor or subcontractor must maintain regular payrolls and other basic records during the course of the work and must preserve them for a period of 3 years after all the work on the prime contract is completed for all laborers and mechanics, including guards and watchpersons, working on the contract. Such records must contain the name; last known address, telephone number, and email address; and social security number of each such worker; each worker's correct classification(s) of work actually performed; hourly rates of wages paid; daily and weekly number of hours actually worked; deductions made and actual wages paid. Further, the Agency Head must cause or require the contracting officer to insert in any such contract a clause providing that the records to be maintained under this paragraph must be made available by the contractor or subcontractor for inspection, copying, or transcription by authorized representatives of the (write the name of agency) and the Department of Labor, and the contractor or subcontractor will permit such representatives to interview workers during working hours on the job.
- D. **Incorporation of contract clauses and wage determinations by reference** Although agencies are required to insert the contract clauses set forth in this section, along with appropriate wage determinations, in full into covered contracts, and contractors and subcontractors are required to insert them in any lower-tier subcontracts, the incorporation by reference of the required contract clauses and appropriate wage determinations will be given the same force and effect as if they were inserted in full text.
- E. **Incorporation by operation of law** The contract clauses set forth in this section (or their equivalent under the Federal Acquisition Regulation), along with the correct wage determinations, will be considered to be a part of every prime contract required by the applicable statutes referenced by 29 CFR 5.1 to include such clauses, and will be effective by operation of law, whether or not they are included or incorporated by reference into such contract, unless the Administrator grants a variance, tolerance, or exemption from the application of this paragraph. Where the clauses and applicable wage determinations are effective by operation of law under this paragraph, the prime contractor must be compensated for any resulting increase in wages in accordance with applicable law.

#### F. HEALTH AND SAFETY

The provisions of this paragraph (F) are applicable where the amount of the prime contract exceeds \$100,000.

1. No laborer or mechanic shall be required to work in surroundings or under working conditions which are unsanitary, hazardous, or dangerous to his or her health and safety, as determined under construction safety and health standards promulgated by the Secretary of Labor by regulation.
2. The contractor shall comply with all regulations issued by the Secretary of Labor pursuant to 29 CFR Part 1926 and failure to comply may result in imposition of sanctions pursuant to the Contract Work Hours and Safety Standards Act, (Public Law 91-54, 83 Stat 96), 40 U.S.C. § 3701 et seq.
3. The contractor shall include the provisions of this paragraph in every subcontract, so that such provisions will be binding on each subcontractor. The contractor shall take such action with respect to any subcontractor as the Secretary of Housing and Urban Development or the Secretary of Labor shall direct as a means of enforcing such provisions.

## Title 29: Labor

---

### PART 3—CONTRACTORS AND SUBCONTRACTORS ON PUBLIC BUILDING OR PUBLIC WORK FINANCED IN WHOLE OR IN PART BY LOANS OR GRANTS FROM THE UNITED STATES

---

#### Contents

- §3.1 Purpose and scope.
  - §3.2 Definitions.
  - §3.3 Weekly statement with respect to payment of wages.
  - §3.4 Submission of weekly statements and the preservation and inspection of weekly payroll records.
  - §3.5 Payroll deductions permissible without application to or approval of the Secretary of Labor.
  - §3.6 Payroll deductions permissible with the approval of the Secretary of Labor.
  - §3.7 Applications for the approval of the Secretary of Labor.
  - §3.8 Action by the Secretary of Labor upon applications.
  - §3.9 Prohibited payroll deductions.
  - §3.10 Methods of payment of wages.
  - §3.11 Regulations part of contract.
- 

AUTHORITY: R.S. 161, sec. 2, 48 Stat. 848; Reorg. Plan No. 14 of 1950, 64 Stat. 1267; 5 U.S.C. 301; 40 U.S.C. 3145; Secretary's Order 01-2008; and Employment Standards Order No. 2001-01.

SOURCE: 29 FR 97, Jan. 4, 1964, unless otherwise noted.

#### §3.1 Purpose and scope.

This part prescribes “anti-kickback” regulations under section 2 of the Act of June 13, 1934, as amended (40 U.S.C. 276c), popularly known as the Copeland Act. This part applies to any contract which is subject to Federal wage standards and which is for the construction, prosecution, completion, or repair of public buildings, public works or buildings or works financed in whole or in part by loans or grants from the United States. The part is intended to aid in the enforcement of the minimum wage provisions of the Davis-Bacon Act and the various statutes dealing with federally assisted construction that contain similar minimum wage provisions, including those provisions which are not subject to Reorganization Plan No. 14 (e.g., the College Housing Act of 1950, the Federal Water Pollution Control Act, and the Housing Act of 1959), and in the enforcement of the overtime provisions of the Contract Work Hours Standards Act whenever they are applicable to construction work. The part details the obligation of contractors and subcontractors relative to the weekly submission of statements regarding the wages paid on work covered thereby; sets forth the circumstances and procedures governing the making of payroll deductions from the wages of those employed on such work; and delineates the methods of payment permissible on such work.

#### §3.2 Definitions.

As used in the regulations in this part:

(a) The terms *building* or *work* generally include construction activity as distinguished from manufacturing, furnishing of materials, or servicing and maintenance work. The terms include, without limitation, buildings, structures, and improvements of all types, such as bridges, dams, plants, highways, parkways, streets, subways, tunnels, sewers, mains, powerlines, pumping stations, railways, airports, terminals, docks, piers, wharves, ways, lighthouses, buoys, jetties, breakwaters, levees, and canals; dredging, shoring, scaffolding, drilling, blasting, excavating, clearing, and landscaping. Unless conducted in connection with and at the site of such a building or work as is described in the foregoing sentence, the manufacture or furnishing of materials, articles, supplies, or equipment (whether or not a Federal or State agency acquires title to such materials, articles, supplies, or equipment during the course of the manufacture or furnishing, or owns the materials from which they are manufactured or furnished) is not a *building* or *work* within the meaning of the regulations in this part.

(b) The terms *construction, prosecution, completion, or repair* mean all types of work done on a particular building or work at the site thereof, including, without limitation, altering, remodeling, painting and decorating, the transporting of materials and supplies to or from the building or work by the employees of the construction contractor or construction subcontractor, and the manufacturing or furnishing of materials, articles, supplies, or equipment on the site of the building or work, by persons employed at the site by the contractor or subcontractor.

(c) The terms *public building or public work* include building or work for whose construction, prosecution, completion, or repair, as defined above, a Federal agency is a contracting party, regardless of whether title thereof is in a Federal agency.

(d) The term *building or work financed in whole or in part by loans or grants from the United States* includes building or work for whose construction, prosecution, completion, or repair, as defined above, payment or part payment is made directly or indirectly from funds provided by loans or grants by a Federal agency. The term includes building or work for which the Federal assistance granted is in the form of loan guarantees or insurance.

(e) Every person paid by a contractor or subcontractor in any manner for his labor in the construction, prosecution, completion, or repair of a public building or public work or building or work financed in whole or in part by loans or grants from the United States is *employed* and receiving *wages*, regardless of any contractual relationship alleged to exist between him and the real employer.

(f) The term *any affiliated person* includes a spouse, child, parent, or other close relative of the contractor or subcontractor; a partner or officer of the contractor or subcontractor; a corporation closely connected with the contractor or subcontractor as parent, subsidiary, or otherwise, and an officer or agent of such corporation.

(g) The term *Federal agency* means the United States, the District of Columbia, and all executive departments, independent establishments, administrative agencies, and instrumentalities of the United States and of the District of Columbia, including corporations, all or substantially all of the stock of which is beneficially owned by the United States, by the District of Columbia, or any of the foregoing departments, establishments, agencies, and instrumentalities.

[29 FR 97, Jan. 4, 1964, as amended at 38 FR 32575, Nov. 27, 1973]

### **§3.3 Weekly statement with respect to payment of wages.**

(a) As used in this section, the term *employee* shall not apply to persons in classifications higher than that of laborer or mechanic and those who are the immediate supervisors of such employees.

(b) Each contractor or subcontractor engaged in the construction, prosecution, completion, or repair of any public building or public work, or building or work financed in whole or in part by loans or grants from the United States, shall furnish each week a statement with respect to the wages paid each of its employees engaged on work covered by this part 3 and part 5 of this title during the preceding weekly payroll period. This statement shall be executed by the contractor or subcontractor or by an authorized officer or employee of the contractor or subcontractor who supervises the payment of wages, and shall be on the back of Form WH 347, "Payroll (For Contractors Optional Use)" or on any form with identical wording. Copies of Form WH 347 may be obtained from the Government contracting or sponsoring agency or from the Wage and Hour Division Web site at <http://www.dol.gov/esa/whd/forms/wh347instr.htm> or its successor site.

(c) The requirements of this section shall not apply to any contract of \$2,000 or less.

(d) Upon a written finding by the head of a Federal agency, the Secretary of Labor may provide reasonable limitations, variations, tolerances, and exemptions from the requirements of this section subject to such conditions as the Secretary of Labor may specify.

[29 FR 97, Jan. 4, 1964, as amended at 33 FR 10186, July 17, 1968; 47 FR 23679, May 28, 1982; 73 FR 77511, Dec. 19, 2008]

### **§3.4 Submission of weekly statements and the preservation and inspection of weekly payroll records.**

(a) Each weekly statement required under §3.3 shall be delivered by the contractor or subcontractor, within seven days after the regular payment date of the payroll period, to a representative of a Federal or State agency in charge at the

site of the building or work, or, if there is no representative of a Federal or State agency at the site of the building or work, the statement shall be mailed by the contractor or subcontractor, within such time, to a Federal or State agency contracting for or financing the building or work. After such examination and check as may be made, such statement, or a copy thereof, shall be kept available, or shall be transmitted together with a report of any violation, in accordance with applicable procedures prescribed by the United States Department of Labor.

(b) Each contractor or subcontractor shall preserve his weekly payroll records for a period of three years from date of completion of the contract. The payroll records shall set out accurately and completely the name and address of each laborer and mechanic, his correct classification, rate of pay, daily and weekly number of hours worked, deductions made, and actual wages paid. Such payroll records shall be made available at all times for inspection by the contracting officer or his authorized representative, and by authorized representatives of the Department of Labor.

(Reporting and recordkeeping requirements in paragraph (b) have been approved by the Office of Management and Budget under control number 1215-0017)

[29 FR 97, Jan. 4, 1964, as amended at 47 FR 145, Jan. 5, 1982]

### **§3.5 Payroll deductions permissible without application to or approval of the Secretary of Labor.**

Deductions made under the circumstances or in the situations described in the paragraphs of this section may be made without application to and approval of the Secretary of Labor:

(a) Any deduction made in compliance with the requirements of Federal, State, or local law, such as Federal or State withholding income taxes and Federal social security taxes.

(b) Any deduction of sums previously paid to the employee as a bona fide prepayment of wages when such prepayment is made without discount or interest. A *bona fide prepayment of wages* is considered to have been made only when cash or its equivalent has been advanced to the person employed in such manner as to give him complete freedom of disposition of the advanced funds.

(c) Any deduction of amounts required by court process to be paid to another, unless the deduction is in favor of the contractor, subcontractor, or any affiliated person, or when collusion or collaboration exists.

(d) Any deduction constituting a contribution on behalf of the person employed to funds established by the employer or representatives of employees, or both, for the purpose of providing either from principal or income, or both, medical or hospital care, pensions or annuities on retirement, death benefits, compensation for injuries, illness, accidents, sickness, or disability, or for insurance to provide any of the foregoing, or unemployment benefits, vacation pay, savings accounts, or similar payments for the benefit of employees, their families and dependents: *Provided, however,* That the following standards are met:

(1) The deduction is not otherwise prohibited by law;

(2) It is either:

(i) Voluntarily consented to by the employee in writing and in advance of the period in which the work is to be done and such consent is not a condition either for the obtaining of or for the continuation of employment, or

(ii) provided for in a bona fide collective bargaining agreement between the contractor or subcontractor and representatives of its employees;

(3) No profit or other benefit is otherwise obtained, directly or indirectly, by the contractor or subcontractor or any affiliated person in the form of commission, dividend, or otherwise; and

(4) The deductions shall serve the convenience and interest of the employee.

(e) Any deduction contributing toward the purchase of United States Defense Stamps and Bonds when voluntarily authorized by the employee.

(f) Any deduction requested by the employee to enable him to repay loans to or to purchase shares in credit unions organized and operated in accordance with Federal and State credit union statutes.

(g) Any deduction voluntarily authorized by the employee for the making of contributions to governmental or quasi-governmental agencies, such as the American Red Cross.

(h) Any deduction voluntarily authorized by the employee for the making of contributions to Community Chests, United Givers Funds, and similar charitable organizations.

(i) Any deductions to pay regular union initiation fees and membership dues, not including fines or special assessments: *Provided, however,* that a collective bargaining agreement between the contractor or subcontractor and representatives of its employees provides for such deductions and the deductions are not otherwise prohibited by law.

(j) Any deduction not more than for the "reasonable cost" of board, lodging, or other facilities meeting the requirements of section 3(m) of the Fair Labor Standards Act of 1938, as amended, and part 531 of this title. When such a deduction is made the additional records required under §516.25(a) of this title shall be kept.

(k) Any deduction for the cost of safety equipment of nominal value purchased by the employee as his own property for his personal protection in his work, such as safety shoes, safety glasses, safety gloves, and hard hats, if such equipment is not required by law to be furnished by the employer, if such deduction is not violative of the Fair Labor Standards Act or prohibited by other law, if the cost on which the deduction is based does not exceed the actual cost to the employer where the equipment is purchased from him and does not include any direct or indirect monetary return to the employer where the equipment is purchased from a third person, and if the deduction is either

(1) Voluntarily consented to by the employee in writing and in advance of the period in which the work is to be done and such consent is not a condition either for the obtaining of employment or its continuance; or

(2) Provided for in a bona fide collective bargaining agreement between the contractor or subcontractor and representatives of its employees.

[29 FR 97, Jan. 4, 1964, as amended at 36 FR 9770, May 28, 1971]

### **§3.6 Payroll deductions permissible with the approval of the Secretary of Labor.**

Any contractor or subcontractor may apply to the Secretary of Labor for permission to make any deduction not permitted under §3.5. The Secretary may grant permission whenever he finds that:

(a) The contractor, subcontractor, or any affiliated person does not make a profit or benefit directly or indirectly from the deduction either in the form of a commission, dividend, or otherwise;

(b) The deduction is not otherwise prohibited by law;

(c) The deduction is either (1) voluntarily consented to by the employee in writing and in advance of the period in which the work is to be done and such consent is not a condition either for the obtaining of employment or its continuance, or (2) provided for in a bona fide collective bargaining agreement between the contractor or subcontractor and representatives of its employees; and

(d) The deduction serves the convenience and interest of the employee.

### **§3.7 Applications for the approval of the Secretary of Labor.**

Any application for the making of payroll deductions under §3.6 shall comply with the requirements prescribed in the following paragraphs of this section:



(a) The application shall be in writing and shall be addressed to the Secretary of Labor.

(b) The application need not identify the contract or contracts under which the work in question is to be performed. Permission will be given for deductions on all current and future contracts of the applicant for a period of 1 year. A renewal of permission to make such payroll deduction will be granted upon the submission of an application which makes reference to the original application, recites the date of the Secretary of Labor's approval of such deductions, states affirmatively that there is continued compliance with the standards set forth in the provisions of §3.6, and specifies any conditions which have changed in regard to the payroll deductions.

(c) The application shall state affirmatively that there is compliance with the standards set forth in the provisions of §3.6. The affirmation shall be accompanied by a full statement of the facts indicating such compliance.

(d) The application shall include a description of the proposed deduction, the purpose to be served thereby, and the classes of laborers or mechanics from whose wages the proposed deduction would be made.

(e) The application shall state the name and business of any third person to whom any funds obtained from the proposed deductions are to be transmitted and the affiliation of such person, if any, with the applicant.

[29 FR 97, Jan. 4, 1964, as amended at 36 FR 9771, May 28, 1971]

### **§3.8 Action by the Secretary of Labor upon applications.**

The Secretary of Labor shall decide whether or not the requested deduction is permissible under provisions of §3.6; and shall notify the applicant in writing of his decision.

### **§3.9 Prohibited payroll deductions.**

Deductions not elsewhere provided for by this part and which are not found to be permissible under §3.6 are prohibited.

### **§3.10 Methods of payment of wages.**

The payment of wages shall be by cash, negotiable instruments payable on demand, or the additional forms of compensation for which deductions are permissible under this part. No other methods of payment shall be recognized on work subject to the Copeland Act.

### **§3.11 Regulations part of contract.**

All contracts made with respect to the construction, prosecution, completion, or repair of any public building or public work or building or work financed in whole or in part by loans or grants from the United States covered by the regulations in this part shall expressly bind the contractor or subcontractor to comply with such of the regulations in this part as may be applicable. In this regard, see §5.5(a) of this subtitle.

U.S. DEPARTMENT OF HOUSING AND URBAN DEVELOPMENT  
 COMMUNITY DEVELOPMENT BLOCK GRANT PROGRAM  
 CONTRACTOR'S CERTIFICATION

**CONCERNING LABOR STANDARDS AND PREVAILING WAGE REQUIREMENTS**

TO (appropriate recipient)	DATE
	PROJECT NUMBER (if any) 22-085-009-D237
C/O	PROJECT NAME GLO SW PROJECT 10 (N. ARMSTRONG ST.)

1. The undersigned, having executed a contract with \_\_\_\_\_  
 \_\_\_\_\_ for the construction of the above-identified project, acknowledges that:

- (a) The Labor Standards provisions are included in the aforesaid contract,
- (b) Correction of any infractions of the aforesaid conditions, including infractions by any subcontractors and any lower tier subcontractors, is Contractor's responsibility.

2. Certifies that:

- (a) Neither Contractor nor any firm, partnership or association in which it has substantial interest is designated as an ineligible contractor by the Comptroller General of the United States pursuant to Section 5.6(b) of the Regulations of the Secretary of Labor, Part 5 (29 CFR, Part 5) or pursuant to Section 3(a) of the Davis-Bacon Act, as amended.
- (b) No part of the aforementioned contract has been or will be subcontracted to any subcontractor if such subcontractor or any firm, corporation, partnership or association in which such subcontractor has a substantial interest is designated as an ineligible contractor pursuant to any of the aforementioned regulatory or statutory provisions.

3. Contractor agrees to obtain and forward to the aforementioned recipient within ten days after the execution of any subcontract, including those executed by subcontractors and any lower tier subcontractors, a Subcontractor's Certification Concerning Labor Standards and Prevailing Wage Requirements executed by the subcontractors.

4. Certifies that:

- (a) The legal name and the business address of the undersigned are:

(b) The undersigned is (choose one):

(1) A SINGLE PROPRIETORSHIP	(3) A CORPORATION ORGANIZED IN THE STATE OF
(2) A PARTNERSHIP	(4) OTHER ORGANIZATION (Describe)

--	--

(c) The name, title and address of the owner, partners or officers of the undersigned are:

NAME	TITLE	ADDRESS

(d) The names and addresses of all other persons having a substantial interest in the undersigned, and the nature of the interest are:

NAME	ADDRESS	NATURE OF INTEREST

(e) The names, addresses and trade classifications of all other building construction contractors in which the undersigned has a substantial interest are:

NAME	ADDRESS	TRADE CLASSIFICATION


		(Contractor)
Date		
	By	



**COMMUNITY DEVELOPMENT & REVITALIZATION**  
**The Texas General Land Office**  
*Wage Rate Issuance Notice*

The Davis-Bacon Act requires that a valid Wage Decision be included in the bid package and construction contract specifications before bids are opened and that it be in effect on the date of the construction contract award.

Obtain the most current Davis-Bacon wage decisions: <https://beta.sam.gov>

Subrecipient:	City of Kingsville	Contract Number:	22-085-009-D237
Date:	2/5/2025		
Labor Standards Officer Name:	Gustavo Jimenez		

**I have determined the following General Wage Decision to be applicable for this construction work:**

Wage Decision Number:	TX20250088 M0	Published Date:	1/3/2025
Type of Work (check one):	<input checked="" type="checkbox"/> Heavy <input type="checkbox"/> Highway <input type="checkbox"/> Building <input type="checkbox"/> Residential		
Distributed by LSO:	Noelia Blanco	Date distributed:	2/5/2025
Description of Bid Activity:	Drainage Improvements (Project #10) Project will replace storm sewer culverts, regrade roadside ditches, and install outfall ditches with associated pavement repair, install storm sewer inlets, and complete associated appurtenances.		
Estimated Bid Opening Date:	March 18, 2025		

**ISSUED BY:**

Labor Standards Officer Name:	Gustavo Jimenez		
Address:	City:	State:	Zip Code:
2201 Northland Dr.	Austin	Texas	78756
Phone Number:	Email:		
(512) 337-9959	gustavo.jimenez@grantworks.net		

**Disclaimer:** The Texas General Land Office has made every effort to ensure the information contained on this form is accurate and in compliance with the most up-to-date CDBG-DR and/or CDBG-MIT federal rules and regulations, as applicable. It should be noted that the Texas General Land Office assumes no liability or responsibility for any error or omission on this form that may result from the interim period between the publication of amended and/or revised federal rules and regulations and the Texas General Land Office's standard review and update schedule.

"General Decision Number: TX20250088 01/03/2025

Superseded General Decision Number: TX20240088

State: Texas

Construction Type: Heavy

Counties: Bee, Colorado, Fayette, Gonzales, Jackson, Jim Wells, Karnes, Kleberg, Lavaca, Live Oak, Refugio and Wharton Counties in Texas.

HEAVY CONSTRUCTION PROJECTS (Including Water and Sewer Lines; does not include Flood Control)

Note: Contracts subject to the Davis-Bacon Act are generally required to pay at least the applicable minimum wage rate required under Executive Order 14026 or Executive Order 13658. Please note that these Executive Orders apply to covered contracts entered into by the federal government that are subject to the Davis-Bacon Act itself, but do not apply to contracts subject only to the Davis-Bacon Related Acts, including those set forth at 29 CFR 5.1(a)(1).

<p>If the contract is entered into on or after January 30, 2022, or the contract is renewed or extended (e.g., an option is exercised) on or after January 30, 2022:</p>	<ul style="list-style-type: none"> <li>. Executive Order 14026 generally applies to the contract.</li> <li>. The contractor must pay all covered workers at least \$17.75 per hour (or the applicable wage rate listed on this wage determination, if it is higher) for all hours spent performing on the contract in 2025.</li> </ul>
<p>If the contract was awarded on or between January 1, 2015 and January 29, 2022, and the contract is not renewed or extended on or after January 30, 2022:</p>	<ul style="list-style-type: none"> <li>. Executive Order 13658 generally applies to the contract.</li> <li>. The contractor must pay all covered workers at least \$13.30 per hour (or the applicable wage rate listed on this wage determination, if it is higher) for all hours spent performing on that contract in 2025.</li> </ul>

The applicable Executive Order minimum wage rate will be adjusted annually. If this contract is covered by one of the Executive Orders and a classification considered necessary for performance of work on the contract does not appear on this wage determination, the contractor must still submit a conformance request.

Additional information on contractor requirements and worker protections under the Executive Orders is available at <http://www.dol.gov/whd/govcontracts>.

Modification Number  
0

Publication Date  
01/03/2025

SUTX2009-125 04/21/2009

	Rates	Fringes
CEMENT MASON/CONCRETE FINISHER...	\$ 13.00 **	0.00
LABORER: Common or General.....	\$ 9.11 **	0.00
LABORER: Pipelayer.....	\$ 13.75 **	0.00
OPERATOR: Backhoe/Trackhoe.....	\$ 13.25 **	0.00
OPERATOR: Bulldozer.....	\$ 14.25 **	0.00
OPERATOR: Loader (Front End)....	\$ 11.13 **	0.00
TRUCK DRIVER.....	\$ 10.49 **	0.24

-----  
WELDERS - Receive rate prescribed for craft performing operation to which welding is incidental.

=====  
\*\* Workers in this classification may be entitled to a higher minimum wage under Executive Order 14026 (\$17.75) or 13658 (\$13.30). Please see the Note at the top of the wage determination for more information. Please also note that the minimum wage requirements of Executive Order 14026 are not currently being enforced as to any contract or subcontract to which the states of Texas, Louisiana, or Mississippi, including their agencies, are a party.

Note: Executive Order (EO) 13706, Establishing Paid Sick Leave for Federal Contractors applies to all contracts subject to the Davis-Bacon Act for which the contract is awarded (and any solicitation was issued) on or after January 1, 2017. If this contract is covered by the EO, the contractor must provide employees with 1 hour of paid sick leave for every 30 hours they work, up to 56 hours of paid sick leave each year. Employees must be permitted to use paid sick leave for their own illness, injury or other health-related needs, including preventive care; to assist a family member (or person who is like family to the employee) who is ill, injured, or has other health-related needs, including preventive care; or for reasons resulting from, or to assist a family member (or person who is like family to the employee) who is a victim of, domestic violence, sexual assault, or stalking. Additional information on contractor requirements and worker protections under the EO is available at <https://www.dol.gov/agencies/whd/government-contracts>.

Unlisted classifications needed for work not included within the scope of the classifications listed may be added after award only as provided in the labor standards contract clauses (29CFR 5.5 (a) (1) (iii)).

-----  
The body of each wage determination lists the classifications and wage rates that have been found to be prevailing for the

type(s) of construction and geographic area covered by the wage determination. The classifications are listed in alphabetical order under rate identifiers indicating whether the particular rate is a union rate (current union negotiated rate), a survey rate, a weighted union average rate, a state adopted rate, or a supplemental classification rate.

#### Union Rate Identifiers

A four-letter identifier beginning with characters other than ""SU"", ""UAVG"", ?SA?, or ?SC? denotes that a union rate was prevailing for that classification in the survey. Example: PLUM0198-005 07/01/2024. PLUM is an identifier of the union whose collectively bargained rate prevailed in the survey for this classification, which in this example would be Plumbers. 0198 indicates the local union number or district council number where applicable, i.e., Plumbers Local 0198. The next number, 005 in the example, is an internal number used in processing the wage determination. The date, 07/01/2024 in the example, is the effective date of the most current negotiated rate.

Union prevailing wage rates are updated to reflect all changes over time that are reported to WHD in the rates in the collective bargaining agreement (CBA) governing the classification.

#### Union Average Rate Identifiers

The UAVG identifier indicates that no single rate prevailed for those classifications, but that 100% of the data reported for the classifications reflected union rates. EXAMPLE: UAVG-OH-0010 01/01/2024. UAVG indicates that the rate is a weighted union average rate. OH indicates the State of Ohio. The next number, 0010 in the example, is an internal number used in producing the wage determination. The date, 01/01/2024 in the example, indicates the date the wage determination was updated to reflect the most current union average rate.

A UAVG rate will be updated once a year, usually in January, to reflect a weighted average of the current rates in the collective bargaining agreements on which the rate is based.

#### Survey Rate Identifiers

The ""SU"" identifier indicates that either a single non-union rate prevailed (as defined in 29 CFR 1.2) for this classification in the survey or that the rate was derived by computing a weighted average rate based on all the rates reported in the survey for that classification. As a weighted average rate includes all rates reported in the survey, it may include both union and non-union rates. Example: SUFL2022-007 6/27/2024. SU indicates the rate is a single non-union prevailing rate or a weighted average of survey data for that classification. FL indicates the State of Florida. 2022 is the year of the survey on which these classifications and rates are based. The next number, 007 in the example, is an internal number used in producing the wage determination. The date, 6/27/2024 in the example, indicates the survey completion date for the classifications and rates under that identifier.

?SU? wage rates typically remain in effect until a new survey is conducted. However, the Wage and Hour Division (WHD) has the discretion to update such rates under 29 CFR 1.6(c)(1).



## State Adopted Rate Identifiers

The "SA" identifier indicates that the classifications and prevailing wage rates set by a state (or local) government were adopted under 29 C.F.R 1.3(g)-(h). Example: SAME2023-007 01/03/2024. SA reflects that the rates are state adopted. ME refers to the State of Maine. 2023 is the year during which the state completed the survey on which the listed classifications and rates are based. The next number, 007 in the example, is an internal number used in producing the wage determination. The date, 01/03/2024 in the example, reflects the date on which the classifications and rates under the "SA" identifier took effect under state law in the state from which the rates were adopted.

-----  
WAGE DETERMINATION APPEALS PROCESS

1) Has there been an initial decision in the matter? This can be:

- a) a survey underlying a wage determination
- b) an existing published wage determination
- c) an initial WHD letter setting forth a position on a wage determination matter
- d) an initial conformance (additional classification and rate) determination

On survey related matters, initial contact, including requests for summaries of surveys, should be directed to the WHD Branch of Wage Surveys. Requests can be submitted via email to [davisbaconinfo@dol.gov](mailto:davisbaconinfo@dol.gov) or by mail to:

Branch of Wage Surveys  
Wage and Hour Division  
U.S. Department of Labor  
200 Constitution Avenue, N.W.  
Washington, DC 20210

Regarding any other wage determination matter such as conformance decisions, requests for initial decisions should be directed to the WHD Branch of Construction Wage Determinations. Requests can be submitted via email to [BCWD-Office@dol.gov](mailto:BCWD-Office@dol.gov) or by mail to:

Branch of Construction Wage Determinations  
Wage and Hour Division  
U.S. Department of Labor  
200 Constitution Avenue, N.W.  
Washington, DC 20210

2) If an initial decision has been issued, then any interested party (those affected by the action) that disagrees with the decision can request review and reconsideration from the Wage and Hour Administrator (See 29 CFR Part 1.8 and 29 CFR Part 7). Requests for review and reconsideration can be submitted via email to [dba.reconsideration@dol.gov](mailto:dba.reconsideration@dol.gov) or by mail to:

Wage and Hour Administrator  
U.S. Department of Labor  
200 Constitution Avenue, N.W.  
Washington, DC 20210

The request should be accompanied by a full statement of the

interested party's position and any information (wage payment data, project description, area practice material, etc.) that the requestor considers relevant to the issue.

3) If the decision of the Administrator is not favorable, an interested party may appeal directly to the Administrative Review Board (formerly the Wage Appeals Board). Write to:

Administrative Review Board  
U.S. Department of Labor  
200 Constitution Avenue, N.W.  
Washington, DC 20210.

=====

END OF GENERAL DECISION"

# **GLO SIGNAGE REQUIREMENTS**

All signs shall be placed in a prominent, visible public location at the construction site, and legible from at least three (3) feet distance.

Permanent signage is required on any public building or facility funded under this Contract. Please refer to the plans and specifications for further details.

For other construction projects (e.g., water transmission lines, sewer collection lines, drainage, roadways, housing rehabilitation) funded under this Contract, temporary signage shall be placed in a prominent location at the construction project site or along a major thoroughfare within the locality.

All signage required shall contain the following:

This project is funded by the Texas General Land Office of the State of Texas to provide for the restoration of infrastructure for communities impacted by Hurricane Harvey. The funds have been allocated by the United States Department of Housing and Urban Development through the Community Development Block Grant – Mitigation Program.

SECTION 504 CERTIFICATION

**POLICY OF NONDISCRIMINATION ON THE BASIS OF DISABILITY**

The \_\_\_\_\_ does not discriminate on the basis of disability status in the admission or access to, or treatment or employment in, its federally assisted programs or activities.

(Name) \_\_\_\_\_

(Address) \_\_\_\_\_

\_\_\_\_\_  
City State Zip

Telephone Number ( ) \_\_\_\_\_ - \_\_\_\_\_ Voice

( ) \_\_\_\_\_ - \_\_\_\_\_ TDD

\_\_\_\_\_ has been designated to coordinate compliance with the nondiscrimination requirements contained in the Department of Housing and Urban Development's (HUD) regulations implementing Section 504 (24 CFR Part 8. dated June 2, 1988).

**CHILD SUPPORT STATEMENT FOR NEGOTIATED CONTRACTS AND GRANTS**

Under Section 231.006, Family Code, the vendor or applicant certifies that the individual or business entity named in this contract, bid, or application is eligible to receive the specified grant, loan, or payment and acknowledges that this contract may be terminated and payment may be withheld if this certification is inaccurate.

Section 231.006, Family Code, specifies that a child support obligor who is more than 30 days delinquent in paying child support and a business entity in which the obligor is a sole proprietor, partner, shareholder, or owner with an ownership interest of at least 25% is not eligible to receive payments from state funds under a contract to provide property, materials, or services; or receive a state-funded grant or loan.

List below the name and ownership percentage of the individual or sole proprietor and each partner, shareholder, or owner with an ownership interest of at least 25% of the business entity submitting the bid or application.

<b>NAME</b>	<b>OWNERSHIP BY %</b>

A child support obligor or business entity ineligible to receive payments described above remains ineligible until all arrearage have been paid or the obligor is in compliance with a written repayment agreement or court order as to any existing delinquency.

The undersigned proposer certifies that he or she, is the proposing individual, or the sole proprietor of the proposing business, and is eligible under Section 231.006 of the Texas Family Code, to receive the payments of State funds which may be disbursed in connection with a contract arising from this solicitation, The undersigned each further acknowledges that a contract resulting from this solicitation may be terminated and payment may be withheld if the certification provided herein is found to be inaccurate.

Signature – Company Official
Printed/Typed Name and Title

Printed/Type Firm Name
Date

# PAYMENT BOND

KNOW ALL MEN BY THESE PRESENTS that:

---

(Name of Contractor or Company)

---

(Address)

a \_\_\_\_\_, hereinafter called Principal,  
(Corporation / Partnership)

and \_\_\_\_\_  
(Name of Surety Company)

---

(Address)

hereinafter called Surety, are held and firmly bound unto

---

(Name of Recipient)

---

(Recipient's Address)

hereinafter called OWNER, in the penal sum of \$ \_\_\_\_\_

Dollars, \$ \_\_\_\_\_ in lawful money of the United States, for this payment of which sum well and truly to be made, we bind ourselves, successors, and assigns, jointly and severally, firmly by these presents.

THE CONFIDENTIALITY OF THIS OBLIGATION is such that whereas, the Principal entered into a certain contract with the OWNER, dated the \_\_\_\_ day of \_\_\_\_\_, a copy of which is hereto attached and made a part hereof for the construction of:

---

(Project Name)

---

NOW, THEREFORE, if the Principal shall promptly make payment to all persons, firms, SUB-CONTRACTORS, and corporations furnishing materials for or performing labor in the prosecution of the WORK provided for in such contract, and any authorized extension or modification thereof, including all amounts due for materials, lubricants, oil, gasoline, coal and coke, repairs on machinery, equipment and tools, consumed or used in connection with the construction of such WORK, and all insurance premiums on said WORK, and for all labor, performed in such WORK whether by SUB-CONTRACTOR or otherwise, then this obligation shall be void; otherwise to remain in full force and effect.

PROVIDED, FURTHER, that the said Surety, for value received hereby stipulates and agrees that no change, extension of time, alteration or addition to the terms of the contract or to WORK to be performed thereunder or the SPECIFICATIONS accompanying the same shall in any way affect its obligation on this BOND, and it does hereby waive notice of any such change, extension of time, alteration or addition to the terms of the contract or to the WORK or to the SPECIFICATIONS.

PROVIDED, FURTHER, that no final settlement between the OWNER and the CONTRACTOR shall abridge the right of any beneficiary hereunder, whose claim may be unsatisfied.

IN WITNESS WHEREOF, this instrument is executed in \_\_\_\_\_ counter-parts, each on of \_\_\_\_\_ (Number) which shall be deemed an original, this the \_\_\_\_\_ day of \_\_\_\_\_.

ATTEST:

\_\_\_\_\_  
(Principal)

\_\_\_\_\_ By \_\_\_\_\_ (s)  
(Principal Secretary)

(SEAL)

\_\_\_\_\_  
(Witness as to Principal) (Address)

\_\_\_\_\_  
(Address)

ATTEST:

\_\_\_\_\_  
(Surety)

\_\_\_\_\_ By \_\_\_\_\_  
(Witness as to Surety) (Attorney in Fact)

\_\_\_\_\_  
(Address) (Address)

NOTE: Date of BOND must not be prior to date of Contract. If CONTRACTOR is Partnership, all partners should execute BOND.

# PERFORMANCE BOND

KNOW ALL MEN BY THESE PRESENTS that:

---

(Name of Contractor or Company)

---

(Address)

a \_\_\_\_\_ hereinafter called Principal, and

---

(Name of Surety Company)

---

(Address)

hereinafter called Surety, are held and firmly bound unto

---

(Name of City/County)

---

(City/County's Address)

hereinafter called OWNER, in the penal sum of \$ \_\_\_\_\_

Dollars (\$ \_\_\_\_\_) in lawful money of the United States, for the payment of which sum well and truly to be made we bind ourselves, successors, and assigns, jointly and severally, firmly in these presents.

THE CONDITION OF THIS OBLIGATION is such that whereas, the Principal entered into a certain contract with the OWNER dated the \_\_\_\_\_ day of \_\_\_\_\_, a copy of which is hereto attached and made a part hereof for the construction of:

---

---



---

NOW THEREFORE, if the Principal shall well, truly and faithfully perform its duties in all the undertakings, covenants, terms, conditions, and agreements of said contract during the original term thereof, and any extensions thereof which may be granted by the OWNER, with or without notice to the Surety and during the one year guaranty period, and if he shall satisfy all claims and demands incurred under such contract, and shall fully indemnify and save harmless the OWNER from all costs and damages which it may suffer by reason of failure to do so, and shall reimburse and repay the OWNER all outlay and expense which the OWNER may incur in making good any default, then this obligation shall be void, otherwise to remain in full force and effect.

PROVIDED FURTHER, that the said Surety, for value received hereby stipulates and agrees that no change, extension of time, alteration or addition to the terms of the contract or to WORK to be performed thereunder or the SPECIFICATIONS accompanying the same shall in any way affect its obligation on this BOND, and it does hereby waive notice of any such change, extension of time, alteration or addition to the terms of the contract or to the WORK or to the SPECIFICATIONS.

PROVIDED, FURTHER, that no final settlement between the OWNER and the Principal shall abridge the right of any beneficiary hereunder, whose claim may be unsatisfied.

IN WITNESS WHEREOF, this instrument is executed in \_\_\_\_\_ counterparts,  
each one of which shall be deemed an original, this the \_\_\_\_\_ day of \_\_\_\_\_  
\_\_\_\_\_.

ATTEST:

\_\_\_\_\_  
(Principal)

\_\_\_\_\_  
(Principal Secretary) By \_\_\_\_\_ (s)

(SEAL)

\_\_\_\_\_  
(Witness as to Principal)

\_\_\_\_\_  
(Address)

\_\_\_\_\_  
(Address)

\_\_\_\_\_

ATTEST:

\_\_\_\_\_  
(Surety)

\_\_\_\_\_  
(Witness as to Surety)

By

\_\_\_\_\_  
(Attorney in Fact)

\_\_\_\_\_  
(Address)

\_\_\_\_\_  
(Address)

NOTE: Date of BOND must not be prior to date of Contract. If PRINCIPAL/CONTRACTOR is Partnership, all partners should execute BOND.

**[INSERT Contractor's Liability Insurance]**

## ADDITIONAL CONDITION OF AWARD —

### DISCLOSURE OF INTERESTED PARTY FORM:

#### NEW OBLIGATION OF THE CITY OF KINGSVILLE TO RECEIVE INFORMATION FROM WINNING BIDDER

Effective January 1, 2016, pursuant to Texas Government Code, Section 2252.908 (the “Interested Party Disclosure Act”), the City of Kingsville may not award a contract to a bidder unless the bidder submits a Certificate of Interested Parties Form 1295 (the “Disclosure Form”) to the City of Kingsville as prescribed by the Texas Ethics Commission (“TEC”). In the event that the bidder’s bid for the City of Kingsville is the best bid received, the City of Kingsville or its consultant, will promptly notify the bidder. That notification will serve as the conditional verbal acceptance of the bid. Upon this acceptance, the winning bidder must promptly, not later than **TIME** (CST) on the **DATE**, file the materials described below.

### PROCESS FOR COMPLETING THE DISCLOSURE FORM<sup>1</sup>

The Disclosure Form can be found at <https://www.ethics.state.tx.us/forms/1295.pdf>, and reference should be made to the following information in order to complete it:

- (a) item 2 – Name of **City** (“Kingsville, Texas”)
- (b) item 3 – the identification number (“CDBG-MIT GLO CONTRACT NO. 22-085-009-D237”), and
- (c) item 3 – description of the goods or services assigned to this contract by the City (“**Construction Services** for Kingsville)

You must:

- 1) complete the Disclosure Form electronically at the TEC’s “electronic portal”, and
- 2) print, sign and deliver a copy (scanned and emailed is fine) of the Disclosure Form and Certification of Filing that is generated by the TEC’s “electronic portal.”

---

<sup>1</sup> A completed Form 1295 is not required for:

- a sponsored research contract of an institution of higher education;
- an interagency contract of a state agency or an institution of higher education;
- a contract related to health and human services if:
  - the value of the contract cannot be determined at the time the contract is executed; and
  - any qualified vendor is eligible for the contract;
- a contract with a publicly traded business entity, including a wholly owned subsidiary of the business entity;
- a contract with an electric utility, as that term is defined by Section 31.002, Utilities Code; or
- a contract with a gas utility, as that term is defined by Section 121.001, Utilities Code.

The following link will take you to the electronic portal for filing:  
<https://www.ethics.state.tx.us/TECCertInt/pages/login/certLogin.jsf>

Also, a detailed instruction video may be found here:  
[https://www.ethics.state.tx.us/whatsnew/elf\\_info\\_form1295.htm](https://www.ethics.state.tx.us/whatsnew/elf_info_form1295.htm)

Neither the City of Kingsville nor its consultants have the ability to verify the information included in a Disclosure Form, and neither have an obligation nor undertake responsibility for advising any business entity with respect to the proper completion of the Disclosure Form.

**CERTIFICATE OF INTERESTED PARTIES**

**FORM 1295**

Complete Nos. 1 - 4 and 6 if there are interested parties.  
 Complete Nos. 1, 2, 3, 5, and 6 if there are no interested parties.

**OFFICE USE ONLY**

1 Name of business entity filing form, and the city, state and country of the business entity's place of business.

2 Name of governmental entity or state agency that is a party to the contract for which the form is being filed.

3 Provide the identification number used by the governmental entity or state agency to track or identify the contract, and provide a description of the services, goods, or other property to be provided under the contract.

4 Name of Interested Party	City, State, Country (place of business)	Nature of Interest (check applicable)	
		Controlling	Intermediary

5 Check only if there is NO Interested Party.

**6 UNSWORN DECLARATION**

My name is \_\_\_\_\_, and my date of birth is \_\_\_\_\_.

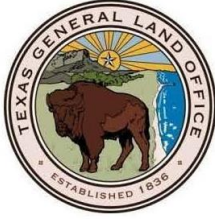
My address: \_\_\_\_\_ (street) \_\_\_\_\_ (city) \_\_\_\_\_ (state) \_\_\_\_\_ (zip code) \_\_\_\_\_ (country)

I declare under penalty of perjury that the foregoing is true and correct.

Executed in \_\_\_\_\_ County, State of \_\_\_\_\_, on the \_\_\_\_\_ day of \_\_\_\_\_, 20\_\_\_\_.  
 (month) (year)

\_\_\_\_\_  
 Signature of authorized agent of contracting business entity  
 (Declarant)

**ADD ADDITIONAL PAGES AS NECESSARY**



**Texas General Land Office**  
Community Development Block Grant (CDBG)  
Disaster Recovery Program

**Code of Federal Regulations**  
**Title 24- Housing and Urban Development**

---

Volume: 1

Date: 2003-04-01

Original Date: 2003-04-01

Title: Section 135.38- Section 3 Clause

Context: Title 24- Housing and Urban Development. Subtitle B- Relating to Housing and Urban Development . Chapter 1- Office of Assistant Secretary for Equal Opportunity, Department. Part 135 Economic Opportunities for Low-and Very Low-Income Persons. Subpart B- Economic Opportunities for Section 3 Residents and Section 3 Business Concerns.

---

§ 135.38 Section 3 clause.

All section 3 covered contracts shall include the following clause (referred to as the section 3 clause):

- A. The work to be performed under this contract is subject to the requirements of section 3 of the Housing and Urban Development Act of 1968, as amended, 12 U.S.C. 1701u (section 3). The purpose of section 3 is to ensure that employment and other economic opportunities generated by HUD assistance or HUD-assisted projects covered by section 3, shall, to the greatest extent feasible, be directed to low- and very low-income persons, particularly persons who are recipients of HUD assistance for housing.
- B. The parties to this contract agree to comply with HUD's regulations in 24 CFR part 135, which implement section 3. As evidenced by their execution of this contract, the parties to this contract certify that they are under no contractual or other impediment that would prevent them from complying with the part 135 regulations.
- C. The contractor agrees to send to each labor organization or representative of workers with which the contractor has a collective bargaining agreement or other understanding, if any, a notice advising the labor organization or workers' representative of the contractor's commitments under this section 3 clause, and will post copies of the notice in conspicuous places at the work site where both employees and applicants for training and employment positions can see the notice. The notice shall describe the section 3 preference, shall set forth minimum number and job titles subject to hire, availability of apprenticeship and training positions, the qualifications for each; and the name and location of the person(s) taking applications for each of the positions; and the anticipated date the work shall begin.
- D. The contractor agrees to include this section 3 clause in every subcontract subject to compliance with regulations in 24 CFR part 135, and agrees to take appropriate action, as provided in an applicable provision of the subcontract or in this section 3 clause, upon a finding that the subcontractor is in violation of the regulations in 24 CFR part 135. The contractor will not subcontract with any subcontractor where the contractor has notice or knowledge that the subcontractor has been found in violation of the regulations in 24 CFR part 135.

- E. The contractor will certify that any vacant employment positions, including training positions, that are filled (1) after the contractor is selected but before the contract is executed, and (2) with persons other than those to whom the regulations of 24 CFR part 135 require employment opportunities to be directed, were not filled to circumvent the contractor's obligations under 24 CFR part 135.
- F. Noncompliance with HUD's regulations in 24 CFR part 135 may result in sanctions, termination of this contract for default, and debarment or suspension from future HUD assisted contracts.
- G. With respect to work performed in connection with section 3 covered Indian housing assistance, section 7(b) of the Indian Self-Determination and Education Assistance Act (25 U.S.C. 450e) also applies to the work to be performed under this contract. Section 7(b) requires that to the greatest extent feasible (i) preference and opportunities for training and employment shall be given to Indians, and (ii) preference in the award of contracts and subcontracts shall be given to Indian organizations and Indian-owned Economic Enterprises. Parties to this contract that are subject to the provisions of section 3 and section 7(b) agree to comply with section 3 to the maximum extent feasible, but not in derogation of compliance with section 7(b).





**Texas General Land Office**  
Community Development Block Grant (CDBG)  
Disaster Recovery Program

[Code of Federal Regulations]  
[Title 24, Volume 1]  
[Revised as of April 1, 2003]  
From the U.S. Government Printing Office via GPO Access  
[CITE: 24CFR135.92]  
[Page 704-707]

TITLE 24--HOUSING AND URBAN DEVELOPMENT  
CHAPTER I--OFFICE OF ASSISTANT SECRETARY FOR EQUAL OPPORTUNITY,  
DEPARTMENT OF HOUSING AND URBAN DEVELOPMENT  
PART 135--ECONOMIC OPPORTUNITIES FOR LOW- and VERY LOW-INCOME PERSONS

Table of Contents

Appendix to Part 135

**I. EXAMPLES OF EFFORTS TO OFFER TRAINING AND EMPLOYMENT OPPORTUNITIES TO SECTION 3 RESIDENTS**

- (1) Entering into ``first source'' hiring agreements with organizations representing Section 3 residents.
- (2) Sponsoring a HUD-certified ``Step-Up'' employment and training program for section 3 residents.
- (3) Establishing training programs, which are consistent with the requirements of the Department of Labor, for public and Indian housing residents and other section 3 residents in the building trades.
- (4) Advertising the training and employment positions by distributing flyers (which identify the positions to be filled, the qualifications required, and where to obtain additional information about the application process) to every occupied dwelling unit in the housing development or developments where category 1 or category 2 persons (as these terms are defined in Sec. 135.34) reside.
- (5) Advertising the training and employment positions by posting flyers (which identify the positions to be filled, the qualifications required, and where to obtain additional information about the application process) in the common areas or other prominent areas of the housing development or developments. For HAs, post such advertising in the housing development or developments where category 1 or category 2 persons reside; for all other recipients, post such advertising in the housing development or developments and transitional housing in the neighborhood or service area of the section 3 covered project.
- (6) Contacting resident councils, resident management corporations, or other resident organizations, where they exist, in the housing development or developments where category 1 or category 2 persons reside, and community organizations in HUD assisted neighborhoods, to request the assistance of these organizations in notifying residents of the training and employment positions to be filled.

- (7) Sponsoring (scheduling, advertising, financing or providing in-kind services) a job informational meeting to be conducted by an HA or contractor representative or representatives at a location in the housing development or developments where category 1 or category 2 persons reside or in the neighborhood or service area of the section 3 covered project.
- (8) Arranging assistance in conducting job interviews and completing job applications for residents of the housing development or developments where category 1 or category 2 persons reside and in the neighborhood or service area in which a section 3 project is located.  
[[Page 705]]
- (9) Arranging for a location in the housing development or developments where category 1 persons reside, or the neighborhood or service area of the project, where job applications may be delivered to and collected by a recipient or contractor representative or representatives.
- (10) Conducting job interviews at the housing development or developments where category 1 or category 2 persons reside, or at a location within the neighborhood or service area of the section 3 covered project.
- (11) Contacting agencies administering HUD Youthbuild programs, and requesting their assistance in recruiting HUD Youthbuild program participants for the HA's or contractor's training and employment positions.
- (12) Consulting with State and local agencies administering training programs funded through JTPA or JOBS, probation and parole agencies, unemployment compensation programs, community organizations and other officials or organizations to assist with recruiting Section 3 residents for the HA's or contractor's training and employment positions.
- (13) Advertising the jobs to be filled through the local media, such as community television networks, newspapers of general circulation, and radio advertising.
- (14) Employing a job coordinator, or contracting with a business concern that is licensed in the field of job placement (preferably one of the section 3 business concerns identified in part 135), that will undertake, on behalf of the HA, other recipient or contractor, the efforts to match eligible and qualified section 3 residents with the training and employment positions that the HA or contractor intends to fill.
- (15) For an HA, employing section 3 residents directly on either a permanent or a temporary basis to perform work generated by section 3 assistance. (This type of employment is referred to as "force account labor" in HUD's Indian housing regulations. See 24 CFR 905.102, and Sec. 905.201(a)(6).)
- (16) Where there are more qualified section 3 residents than there are positions to be filled, maintaining a file of eligible qualified section 3 residents for future employment positions.
- (17) Undertaking job counseling, education and related programs in association with local educational institutions.
- (18) Undertaking such continued job training efforts as may be necessary to ensure the continued employment of section 3 residents previously hired for employment opportunities.
- (19) After selection of bidders but prior to execution of contracts, incorporating into the contract a negotiated provision for a specific number of public housing or other section 3 residents to be trained or employed on the section 3 covered assistance.
- (20) Coordinating plans and implementation of economic development (e.g., job training and preparation, business development assistance for residents) with the planning for housing and community development.



**Texas General Land Office**  
 Community Development Block Grant (CDBG)  
 Disaster Recovery Program

**NEW HIRES SECTION 3  
 MONTHLY COMPLIANCE REPORT**

Reporting Month:

Economic Opportunities for Low and Very Low-Income Persons

This form is distributed to the General Contractor (GC) at the Pre-Construction Meeting. GC is also required to provide this form to any subcontractor firms that they anticipate hiring for this project.

**CONTRACTOR INFORMATION**

Name of Business:

Address of Business:

Authorized Representative for this contract:

Authorized Signatory:

**ADDITIONALLY, PLEASE REVIEW AND COMPLY WITH STEPS 1 - 3 BELOW:**

1. You must **sign and date** this form for the each applicable reporting month in connection with awarded project and deliver to:

2. When you **hire** a Section 3 resident in connection with this project, you must also complete this form and submit it to the Section 3 Coordinator identified above. Even if there were no **new hires** this form **must be completed and submitted to the Section 3 Coordinator identified above.**

I have not hired any new employees during the reporting Month specified.

I have hired  Section 3 employees and/or  non-Section 3 employees during the reporting month shown here.

**The following is a list of the new hires and the trades:**

	New Hire Name	Job Category/Trade	Full-time? Yes or No
1.			<input type="text"/>
2.			<input type="text"/>
3.			<input type="text"/>
4.			<input type="text"/>

I have taken one or more of the following recruitment steps to hire a Section 3 Resident with the highest training and employment priority ranking. **Provide a brief description of actions taken:**

I have taken steps to find a Section 3 Resident in the applicable targeted areas where the project(s)/assistance will take place. **List areas:**

- Placed signs or posters at prominent places in each of the above listed areas. *Photographs were taken to document this action.*

I have advertised to fill vacancy(ies) at the site(s), where work is taking place, in connection with this project. **List advertisements (name publication, e.g. Work in Texas, Houston Chronicle, and/or website(s):**

- Distributed employment flyers to the administrative office of the local Public Housing Authority.
- Provided notice of positions available to the Texas Workforce Commission for potential applicants. *Provide copy of notice.*
- Contacted employment referrals or Youthbuild Program referrals. **List contacts:**

- Contacted with applicable parties to ensure that any HUD Youthbuild programs currently operating in the project(s) area/ assistance will take place.
- Kept a log of all applicants and indicate the reasons why Section 3 Residents who applied were not hired.
- Retained copies of any employment applications completed by public housing, Section 8 certificate or voucher holders or other Section 3 Residents.
- Sent a notice about Section 3 training and employment requirements and opportunities to labor organizations or to worker representatives with whom our firm has a collective bargaining or other agreement.

**3. Verification**

- I have attached proof of all checked items.

Authorized Name and Signature

Attested By:

Date/Time Field

Text

---



# U.S. DEPARTMENT OF HOUSING AND URBAN DEVELOPMENT

## Section 3

### Economic Opportunity *A Piece of the American Dream*

*This project is federally funded and Section 3 compliance and reporting applies to all executed prime or sub contracts over \$100,000.*

#### About Section 3

Section 3 of the Housing and Urban Development Act of 1968 (12 U.S.C. 1701u) (as amended), requires that economic opportunities generated by certain HUD financial assistance for housing (including Public and Indian Housing) and community development programs shall, to the greatest extent feasible, be given to low and very low-income persons, particularly those who are recipients of government assistance for housing, and to businesses that provide economic opportunities for these persons.

Other HUD programs covered by Section 3 (to distinguish between HUD Public and Indian housing programs) are those that provide housing or community development assistance for housing rehabilitation, housing construction, or other public construction project.

#### Who are Section 3 residents?

Public housing residents including persons with disabilities. Low and very low income persons who live in the area where a HUD assisted project is located.

#### What is a Section 3 Business?

A section 3 business is one:  
That is owned by Section 3 residents  
Employs Section 3 residents or:

Subcontracts with businesses that provide opportunities to low and very low income persons.

#### Who receives Economic Opportunities under Section 3?

*For training and employment:*

- ✓ persons in public and assisted housing;
- ✓ persons in the affected project neighborhood;
- ✓ participants in HUD Youth-build programs;
- ✓ homeless persons.

*For contracting:*

- ✓ businesses which fit the definition of a Section 3 business.

#### How can individuals and businesses find out more about Section 3?

Contact GrantWorks at 512-420-0303 ext. 334 or Fair Housing and Equal Opportunity representative at your nearest HUD Office.

#### What am I required to do as a contractor?

- ✓ Submit monthly new hires report (pg.7-8)
- ✓ Post any job vacancies at [www.workintexas.com](http://www.workintexas.com)
- ✓ Keep a log of all applicants and indicate why
- ✓ Section 3 Residents who applied were not hired
- ✓ Retain copies of any employment applications completed by public housing, Section 8, voucher holders, Section 3 Residents

#### How to Post Job Vacancies

As required by the GLO Section 3 Policy, all Grantees and contractors receiving DR funding must post all job vacancies with the state's free job matching system – WorkIn Texas.com. There are two ways to do this: Self-register with an employer account and post jobs directly online or contact your local Workforce Solutions Office. Staff is available to assist with account registration and/or can post jobs on your behalf at [WorkInTexas.com](http://WorkInTexas.com). **The job title and job description must include the word SEC3.**

#### More ways to find Section 3 Applicants

- ✓ Advertising in other publications such as newspapers and websites
- ✓ Placing posters in prominent places in target areas
- ✓ Distributing flyers to the local Public Housing Authority

#### Where can I find my local Workforce Solution Center?

You may search for one here:

<http://www.twc.state.tx.us/dirs/wmdas/directory-offices-services.htm?mid=0.07262226541895678>

#### HUD Compliance and Monitoring?

HUD monitors the performance of recipients and contractors. HUD examines employment and contract records for evidence of actions taken to train and employ Section 3 residents and to award contracts to Section 3 businesses. HUD provides technical assistance to recipients and contractors in order to obtain compliance with Section 3 requirements.

#### What if it appears that an entity is not complying?

There is a complaint process. Section 3 residents and business concerns may file complaints if they think a violation of Section 3 requirements has occurred where a HUD-funded project is planned or underway. Complaints will be investigated; if appropriate, voluntary resolutions will be sought. There are appeal rights to the Secretary, Section 3 residents and businesses may also seek judicial relief.

#### How can Section 3 businesses or residents complain about a violation of Section 3 requirements?

By filing a complaint in writing to the local HUD FHEO Office or to:

#### The Assistant Secretary for Fair Housing and Equal Opportunity

U.S. Department of Housing and Urban Development  
451 Seventh Street, SW, Room 5100  
Washington, DC 20410-2000  
1-800-669-9777  
1-800-927-9276 (TTY)  
[www.hud.gov](http://www.hud.gov) [www.espanol.hud.gov](http://www.espanol.hud.gov)

A written complaint should contain:

1. Name and address of the person filing the complaint.
2. Name and address of subject of complaint (HUD recipient or contractor).
3. Description of acts or omissions in alleged violation of Section 3.
4. Statement of corrective actions sought

## ASSURANCES - CONSTRUCTION PROGRAMS

OMB Approval No. 4040-0009  
 Expiration Date: 02/28/2025

Public reporting burden for this collection of information is estimated to average 15 minutes per response, including time for reviewing instructions, searching existing data sources, gathering and maintaining the data needed, and completing and reviewing the collection of information. Send comments regarding the burden estimate or any other aspect of this collection of information, including suggestions for reducing this burden, to the Office of Management and Budget, Paperwork Reduction Project (0348-0042), Washington, DC 20503.

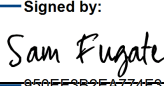
**PLEASE DO NOT RETURN YOUR COMPLETED FORM TO THE OFFICE OF MANAGEMENT AND BUDGET. SEND IT TO THE ADDRESS PROVIDED BY THE SPONSORING AGENCY.**

**NOTE:** Certain of these assurances may not be applicable to your project or program. If you have questions, please contact the Awarding Agency. Further, certain Federal assistance awarding agencies may require applicants to certify to additional assurances. If such is the case, you will be notified.

As the duly authorized representative of the applicant, I certify that the applicant:

1. Has the legal authority to apply for Federal assistance, and the institutional, managerial and financial capability (including funds sufficient to pay the non-Federal share of project costs) to ensure proper planning, management and completion of the project described in this application.
2. Will give the awarding agency, the Comptroller General of the United States and, if appropriate, the State, the right to examine all records, books, papers, or documents related to the assistance; and will establish a proper accounting system in accordance with generally accepted accounting standards or agency directives.
3. Will not dispose of, modify the use of, or change the terms of the real property title, or other interest in the site and facilities without permission and instructions from the awarding agency. Will record the Federal awarding agency directives and will include a covenant in the title of real property acquired in whole or in part with Federal assistance funds to assure non-discrimination during the useful life of the project.
4. Will comply with the requirements of the assistance awarding agency with regard to the drafting, review and approval of construction plans and specifications.
5. Will provide and maintain competent and adequate engineering supervision at the construction site to ensure that the complete work conforms with the approved plans and specifications and will furnish progressive reports and such other information as may be required by the assistance awarding agency or State.
6. Will initiate and complete the work within the applicable time frame after receipt of approval of the awarding agency.
7. Will establish safeguards to prohibit employees from using their positions for a purpose that constitutes or presents the appearance of personal or organizational conflict of interest, or personal gain.
8. Will comply with the Intergovernmental Personnel Act of 1970 (42 U.S.C. §§4728-4763) relating to prescribed standards of merit systems for programs funded under one of the 19 statutes or regulations specified in Appendix A of OPM's Standards for a Merit System of Personnel Administration (5 C.F.R. 900, Subpart F).
9. Will comply with the Lead-Based Paint Poisoning Prevention Act (42 U.S.C. §§4801 et seq.) which prohibits the use of lead-based paint in construction or rehabilitation of residence structures.
10. Will comply with all Federal statutes relating to non-discrimination. These include but are not limited to: (a) Title VI of the Civil Rights Act of 1964 (P.L. 88-352) which prohibits discrimination on the basis of race, color or national origin; (b) Title IX of the Education Amendments of 1972, as amended (20 U.S.C. §§1681-1683, and 1685-1686), which prohibits discrimination on the basis of sex; (c) Section 504 of the Rehabilitation Act of 1973, as amended (29 U.S.C. §794), which prohibits discrimination on the basis of handicaps; (d) the Age Discrimination Act of 1975, as amended (42 U.S.C. §§6101-6107), which prohibits discrimination on the basis of age; (e) the Drug Abuse Office and Treatment Act of 1972 (P.L. 92-255), as amended, relating to nondiscrimination on the basis of drug abuse; (f) the Comprehensive Alcohol Abuse and Alcoholism Prevention, Treatment and Rehabilitation Act of 1970 (P.L. 91-616), as amended, relating to nondiscrimination on the basis of alcohol abuse or alcoholism; (g) §§523 and 527 of the Public Health Service Act of 1912 (42 U.S.C. §§290 dd-3 and 290 ee-3), as amended, relating to confidentiality of alcohol and drug abuse patient records; (h) Title VIII of the Civil Rights Act of 1968 (42 U.S.C. §§3601 et seq.), as amended, relating to nondiscrimination in the sale, rental or financing of housing; (i) any other nondiscrimination provisions in the specific statute(s) under which application for Federal assistance is being made; and, (j) the requirements of any other nondiscrimination statute(s) which may apply to the application.

- |   |  |
|---|--|
| <p>11. Will comply, or has already complied, with the requirements of Titles II and III of the Uniform Relocation Assistance and Real Property Acquisition Policies Act of 1970 (P.L. 91-646) which provide for fair and equitable treatment of persons displaced or whose property is acquired as a result of Federal and federally-assisted programs. These requirements apply to all interests in real property acquired for project purposes regardless of Federal participation in purchases.</p> <p>12. Will comply with the provisions of the Hatch Act (5 U.S.C. §§1501-1508 and 7324-7328) which limit the political activities of employees whose principal employment activities are funded in whole or in part with Federal funds.</p> <p>13. Will comply, as applicable, with the provisions of the Davis-Bacon Act (40 U.S.C. §§276a to 276a-7), the Copeland Act (40 U.S.C. §276c and 18 U.S.C. §874), and the Contract Work Hours and Safety Standards Act (40 U.S.C. §§327-333) regarding labor standards for federally-assisted construction subagreements.</p> <p>14. Will comply with flood insurance purchase requirements of Section 102(a) of the Flood Disaster Protection Act of 1973 (P.L. 93-234) which requires recipients in a special flood hazard area to participate in the program and to purchase flood insurance if the total cost of insurable construction and acquisition is \$10,000 or more.</p> <p>15. Will comply with environmental standards which may be prescribed pursuant to the following: (a) institution of environmental quality control measures under the National Environmental Policy Act of 1969 (P.L. 91-190) and Executive Order (EO) 11514; (b) notification of violating facilities pursuant to EO 11738; (c) protection of wetlands pursuant to EO 11990; (d) evaluation of flood hazards in floodplains in accordance with EO 11988; (e) assurance of project consistency with the approved State management program developed under the Coastal Zone Management Act of 1972 (16 U.S.C. §§1451 et seq.); (f) conformity of</p> | <p>Federal actions to State (Clean Air) Implementation Plans under Section 176(c) of the Clean Air Act of 1955, as amended (42 U.S.C. §§7401 et seq.); (g) protection of underground sources of drinking water under the Safe Drinking Water Act of 1974, as amended (P.L. 93-523); and, (h) protection of endangered species under the Endangered Species Act of 1973, as amended (P.L. 93-205).</p> <p>16. Will comply with the Wild and Scenic Rivers Act of 1968 (16 U.S.C. §§1271 et seq.) related to protecting components or potential components of the national wild and scenic rivers system.</p> <p>17. Will assist the awarding agency in assuring compliance with Section 106 of the National Historic Preservation Act of 1966, as amended (16 U.S.C. §470), EO 11593 (identification and protection of historic properties), and the Archaeological and Historic Preservation Act of 1974 (16 U.S.C. §§469a-1 et seq.).</p> <p>18. Will cause to be performed the required financial and compliance audits in accordance with the Single Audit Act Amendments of 1996 and OMB Circular No. A-133, "Audits of States, Local Governments, and Non-Profit Organizations."</p> <p>19. Will comply with all applicable requirements of all other Federal laws, executive orders, regulations, and policies governing this program.</p> <p>20. Will comply with the requirements of Section 106(g) of the Trafficking Victims Protection Act (TVPA) of 2000, as amended (22 U.S.C. 7104) which prohibits grant award recipients or a sub-recipient from (1) Engaging in severe forms of trafficking in persons during the period of time that the award is in effect (2) Procuring a commercial sex act during the period of time that the award is in effect or (3) Using forced labor in the performance of the award or subawards under the award.</p> |
|---|--|

SIGNATURE OF AUTHORIZED CERTIFYING OFFICIAL Signed by:  <small>950EE382EA774F3</small>	TITLE Mayor
APPLICANT ORGANIZATION City of Kingsville	DATE SUBMITTED 1/31/2025

**GENERAL AFFIRMATIONS**

TO THE EXTENT APPLICABLE, Subrecipient affirms and agrees to the following, without exception:

1. Subrecipient represents and warrants that, in accordance with Section 2155.005 of the Texas Government Code, neither Subrecipient nor the firm, corporation, partnership, or institution represented by Subrecipient, or anyone acting for such a firm, corporation, partnership, or institution has (1) violated any provision of the Texas Free Enterprise and Antitrust Act of 1983, Chapter 15 of the Texas Business and Commerce Code, or the federal antitrust laws, or (2) communicated directly or indirectly the contents of this Contract or any solicitation response upon which this Contract is based to any competitor or any other person engaged in the same line of business as Subrecipient.\*
2. Subrecipient shall not assign its rights under the Contract or delegate the performance of its duties under the Contract without prior written approval from the GLO. Any attempted assignment or delegation in violation of this provision is void and without effect. This provision does not apply to subcontracting.
3. If the Contract is for services, Subrecipient shall comply with Section 2155.4441 of the Texas Government Code, requiring the purchase of products and materials produced in the State of Texas in performing service contracts, but for contracts subject to 2 C.F.R. 200, only to the extent such compliance is consistent with 2 C.F.R. 200.319.
4. Under Section 231.006 of the Family Code, the vendor or applicant [Subrecipient] certifies that the individual or business entity named in this Contract, bid or application is not ineligible to receive the specified grant, loan, or payment and acknowledges that this Contract may be terminated and payment may be withheld if this certification is inaccurate, in addition to other remedies set out in Section 231.006(f) of the Family Code.\*
5. A bid or an application for a contract, grant, or loan paid from state funds must include the name and social security number of the individual or sole proprietor and each partner, shareholder, or owner with an ownership interest of at least 25 percent of the business entity submitting the bid or application. Subrecipient certifies it has submitted this information to the GLO.\*
6. If the Contract is for a “cloud computing service” as defined by Texas Government Code Section 2157.007, then pursuant to Section 2054.0593(d)-(f) of the Texas Government Code, relating to cloud computing state risk and authorization management program, Subrecipient represents and warrants that it complies with the requirements of the state risk and authorization management program and Subrecipient agrees that throughout the term of the Contract it shall maintain its certifications and comply with the program requirements in the performance of the Contract.
7. If the Contract is for the purchase or lease of computer equipment, as defined by Texas Health and Safety Code Section 361.952(2), Subrecipient certifies that it is in compliance with Subchapter Y, Chapter 361 of the Texas Health and Safety Code, related to the Computer Equipment Recycling Program and the Texas Commission on Environmental Quality rules in Title 30 Texas Administrative Code Chapter 328.
8. If the Contract authorizes Subrecipient to access, transmit, use, or store data for the GLO, then in accordance with Section 2054.138 of the Texas Government Code, Subrecipient certifies that it will comply with the security controls required under this Contract and will

\* This section does not apply to a contract with a “governmental entity” as defined in Texas Government Code Chapter 2251.



maintain records and make them available to the GLO as evidence of Subrecipient's compliance with the required controls.

9. Subrecipient represents and warrants that it has not given, offered to give, nor intends to give at any time hereafter any economic opportunity, future employment, gift, loan, gratuity, special discount, trip, favor, or service to a public servant in connection with the Contract.
10. Subrecipient agrees that any payments due under the Contract shall be applied towards any debt or delinquency that is owed by Subrecipient to the State of Texas.
11. Upon request of the GLO, Subrecipient shall provide copies of its most recent business continuity and disaster recovery plans.
12. If the Contract is for consulting services governed by Texas Government Code Chapter 2254, Subchapter B, in accordance with Section 2254.033 of the Texas Government Code, relating to consulting services, Subrecipient certifies that it does not employ an individual who has been employed by the GLO or another agency at any time during the two years preceding the Subrecipient's submission of its offer to provide consulting services to the GLO or, in the alternative Subrecipient, in its offer to provide consulting services to the GLO, disclosed the following: (i) the nature of the previous employment with the GLO or other state agency; (ii) the date the employment was terminated; and (iii) the annual rate of compensation for the employment at the time of its termination.\*
13. If the Contract is not for architecture, engineering, or construction services, then except as otherwise provided by statute, rule, or regulation, Subrecipient must use the dispute resolution process provided for in Chapter 2260 of the Texas Government Code to attempt to resolve any dispute arising under the Contract. **NOTHING IN THIS SECTION SHALL BE CONSTRUED AS A WAIVER OF SOVEREIGN IMMUNITY BY THE GLO OR, IF APPLICABLE, OF GOVERNMENTAL IMMUNITY BY SUBRECIPIENT.**
14. If the Contract is for architecture, engineering, or construction services, then subject to Texas Government Code Section 2260.002 and Texas Civil Practice and Remedies Code Chapter 114, and except as otherwise provided by statute, rule, or regulation, Subrecipient shall use the dispute resolution process provided for in Chapter 2260 of the Texas Government Code to attempt to resolve all disputes arising under this Contract. Except as otherwise provided by statute, rule, or regulation, in accordance with the Texas Civil Practice and Remedies Code, Section 114.005, claims encompassed by Texas Government Code, Section 2260.002(3) and Texas Civil Practice and Remedies Code Section 114.002 shall be governed by the dispute resolution process set forth below in subsections (a)-(d). **NOTHING IN THIS SECTION SHALL BE CONSTRUED AS A WAIVER OF SOVEREIGN IMMUNITY BY THE GLO OR, IF APPLICABLE, OF GOVERNMENTAL IMMUNITY BY SUBRECIPIENT.**
  - a. Notwithstanding Texas Government Code, Chapter 2260.002(3) and Chapter 114.012 and any other statute or applicable law, if Subrecipient's claim for breach of contract cannot be resolved by the Parties in the ordinary course of business, Subrecipient may make a claim against the GLO for breach of contract and the GLO may assert a counterclaim against Subrecipient as is contemplated by Texas Government Code, Chapter 2260, Subchapter B. In such event, Subrecipient must provide written notice to the GLO of a claim for breach of the Contract not later than the 180th day after the date

\* This section does not apply to a contract with a "governmental entity" as defined in Texas Government Code Chapter 2251.

- of the event giving rise to the claim. The notice must state with particularity: (1) the nature of the alleged breach; (2) the amount Subrecipient seeks as damages; and (3) the legal theory of recovery.
- b. The chief administrative officer, or if designated in the Contract, another officer of the GLO, shall examine the claim and any counterclaim and negotiate with Subrecipient in an effort to resolve them. The negotiation must begin no later than the 120th day after the date the claim is received, as is contemplated by Texas Government Code, Chapter 2260, Section 2260.052.
  - c. If the negotiation under paragraph (b) above results in the resolution of some disputed issues by agreement or in a settlement, the Parties shall reduce the agreement or settlement to writing and each Party shall sign the agreement or settlement. A partial settlement or resolution of a claim does not waive a Party's rights under this Contract as to the parts of the claim that are not resolved.
  - d. If a claim is not entirely resolved under paragraph (b) above, on or before the 270th day after the date the claim is filed with the GLO, unless the Parties agree in writing to an extension of time, the Parties may agree to mediate a claim made under this dispute resolution procedure. This dispute resolution procedure is Subrecipient's sole and exclusive process for seeking a remedy for an alleged breach of contract by the GLO if the Parties are unable to resolve their disputes as described in this section.
  - e. Nothing in the Contract shall be construed as a waiver of the state's or the GLO's sovereign immunity, or, if applicable, the governmental immunity of Subrecipient. This Contract shall not constitute or be construed as a waiver of any of the privileges, rights, defenses, remedies, or immunities available to the State of Texas or Subrecipient. The failure to enforce, or any delay in the enforcement, of any privileges, rights, defenses, remedies, or immunities available to the State of Texas or, if applicable, of Subrecipient under this Contract or under applicable law shall not constitute a waiver of such privileges, rights, defenses, remedies or immunities or be considered as a basis for estoppel. The GLO does not waive any privileges, rights, defenses, or immunities available to it by entering into this Contract or by its conduct, or by the conduct of any representative of the GLO, prior to or subsequent to entering into this Contract. Subrecipient does not waive any privileges, rights, defenses, or immunities available to it by entering into this Contract or by its conduct, or by the conduct of any representative of the GLO, prior to or subsequent to entering into this Contract.
  - f. Except as otherwise provided by statute, rule, or regulation, compliance with the dispute resolution process provided for in Texas Government Code, Chapter 2260, subchapter B and incorporated by reference in subsection (a)-(d) above is a condition precedent to the Subrecipient: (1) filing suit pursuant to Chapter 114 of the Civil Practices and Remedies Code; or (2) initiating a contested case hearing pursuant to Subchapter C of Chapter 2260 of the Texas Government Code.
15. If Chapter 2271 of the Texas Government Code applies to this Contract, Subrecipient verifies that it does not boycott Israel and will not boycott Israel during the term of the Contract.\*
16. This Contract is contingent upon the continued availability of lawful appropriations by the Texas Legislature. Subrecipient understands that all obligations of the GLO under this

\* This section does not apply to a contract with a "governmental entity" as defined in Texas Government Code Chapter 2251.

Contract are subject to the availability of funds. If such funds are not appropriated or become unavailable, the GLO may terminate the Contract. The Contract shall not be construed as creating a debt on behalf of the GLO in violation of Article III, Section 49a of the Texas Constitution.

17. Subrecipient certifies that it is not listed in the prohibited vendors list authorized by Executive Order 13224, "Blocking Property and Prohibiting Transactions with Persons Who Commit, Threaten to Commit, or Support Terrorism", published by the United States Department of the Treasury, Office of Foreign Assets Control.
18. In accordance with Section 669.003 of the Texas Government Code, relating to contracting with the executive head of a state agency, Subrecipient certifies that it is not (1) the executive head of the GLO, (2) a person who at any time during the four years before the effective date of the Contract was the executive head of the GLO, or (3) a person who employs a current or former executive head of the GLO.
19. Subrecipient represents and warrants that all statements and information prepared and submitted in connection with this Contract are current, complete, true, and accurate. Submitting a false statement or making a material misrepresentation during the performance of this Contract is a material breach of contract and may void the Contract or be grounds for its termination.
20. Pursuant to Section 2155.004(a) of the Texas Government Code, Subrecipient certifies that neither Subrecipient nor any person or entity represented by Subrecipient has received compensation from the GLO to participate in the preparation of the specifications or solicitation on which this Contract is based. Under Section 2155.004(b) of the Texas Government Code, Subrecipient certifies that the individual or business entity named in this Contract is not ineligible to receive the specified Contract and acknowledges that the Contract may be terminated and payment withheld if this certification is inaccurate. This Section does not prohibit Subrecipient from providing free technical assistance.\*
21. Subrecipient represents and warrants that it is not engaged in business with Iran, Sudan, or a foreign terrorist organization, as prohibited by Section 2252.152 of the Texas Government Code.\*
22. In accordance with Section 2252.901 of the Texas Government Code, for the categories of contracts listed in that section, Subrecipient represents and warrants that none of its employees including, but not limited to, those authorized to provide services under the contract, were employees of the GLO during the twelve (12) month period immediately prior to the date of execution of the contract. Solely for professional services contracts as described by Chapter 2254 of the Texas Government Code, Subrecipient further represents and warrants that if a former employee of the GLO was employed by Subrecipient within one year of the employee's leaving the GLO, then such employee will not perform services on projects with Subrecipient that the employee worked on while employed by the GLO.\*
23. The Contract shall be governed by and construed in accordance with the laws of the State of Texas, without regard to the conflicts of law provisions. The venue of any suit arising under the Contract is fixed in any court of competent jurisdiction of Travis County, Texas, unless the specific venue is otherwise identified in a statute which directly names or otherwise identifies its applicability to any Party.

\* This section does not apply to a contract with a "governmental entity" as defined in Texas Government Code Chapter 2251.

24. IF THE CONTRACT IS NOT FOR ARCHITECTURE OR ENGINEERING SERVICES GOVERNED BY TEXAS GOVERNMENT CODE CHAPTER 2254, SUBRECIPIENT, TO THE EXTENT ALLOWED BY LAW, SHALL DEFEND, INDEMNIFY AND HOLD HARMLESS THE STATE OF TEXAS AND THE GLO, AND/OR THEIR OFFICERS, AGENTS, EMPLOYEES, REPRESENTATIVES, CONTRACTORS, ASSIGNEES, AND/OR DESIGNEES FROM ANY AND ALL LIABILITY, ACTIONS, CLAIMS, DEMANDS, OR SUITS, AND ALL RELATED COSTS, ATTORNEY FEES, AND EXPENSES ARISING OUT OF, OR RESULTING FROM ANY ACTS OR OMISSIONS OF SUBRECIPIENT OR ITS AGENTS, EMPLOYEES, SUBCONTRACTORS, ORDER FULFILLERS, OR SUPPLIERS OF SUBCONTRACTORS IN THE EXECUTION OR PERFORMANCE OF THE CONTRACT AND ANY PURCHASE ORDERS ISSUED UNDER THE CONTRACT. THE DEFENSE SHALL BE COORDINATED BY SUBRECIPIENT WITH THE OFFICE OF THE TEXAS ATTORNEY GENERAL WHEN TEXAS STATE AGENCIES ARE NAMED DEFENDANTS IN ANY LAWSUIT AND SUBRECIPIENT MAY NOT AGREE TO ANY SETTLEMENT WITHOUT FIRST OBTAINING THE CONCURRENCE FROM THE OFFICE OF THE TEXAS ATTORNEY GENERAL. SUBRECIPIENT AND THE GLO SHALL FURNISH TIMELY WRITTEN NOTICE TO EACH OTHER OF ANY SUCH CLAIM.\*
25. IF THE CONTRACT IS FOR ARCHITECTURE OR ENGINEERING SERVICES GOVERNED BY TEXAS GOVERNMENT CODE CHAPTER 2254, SUBRECIPIENT, TO THE EXTENT ALLOWED BY LAW, SHALL INDEMNIFY AND HOLD HARMLESS THE STATE OF TEXAS AND THE GLO, AND/OR THEIR OFFICERS, AGENTS, EMPLOYEES, REPRESENTATIVES, CONTRACTORS, ASSIGNEES, AND/OR DESIGNEES FROM ANY AND ALL LIABILITY, ACTIONS, CLAIMS, DEMANDS, OR SUITS, AND ALL RELATED DAMAGES, COSTS, ATTORNEY FEES, AND EXPENSES TO THE EXTENT CAUSED BY, ARISING OUT OF, OR RESULTING FROM ANY ACTS OF NEGLIGENCE, INTENTIONAL TORTS, WILLFUL MISCONDUCT, PERSONAL INJURY OR DAMAGE TO PROPERTY, AND/OR OTHERWISE RELATED TO SUBRECIPIENT'S PERFORMANCE, AND/OR FAILURES TO PAY A SUBCONTRACTOR OR SUPPLIER BY THE SUBRECIPIENT OR ITS AGENTS, EMPLOYEES, SUBCONTRACTORS, ORDER FULFILLERS, CONSULTANTS UNDER CONTRACT TO SUBRECIPIENT, OR ANY OTHER ENTITY OVER WHICH SUBRECIPIENT EXERCISES CONTROL, OR SUPPLIERS OF SUBCONTRACTORS IN THE EXECUTION OR PERFORMANCE OF THE CONTRACT. THE DEFENSE SHALL BE COORDINATED BY SUBRECIPIENT WITH THE OFFICE OF THE TEXAS ATTORNEY GENERAL WHEN TEXAS STATE AGENCIES ARE NAMED DEFENDANTS IN ANY LAWSUIT AND SUBRECIPIENT MAY NOT AGREE TO ANY SETTLEMENT WITHOUT FIRST OBTAINING THE CONCURRENCE FROM THE OFFICE OF THE TEXAS ATTORNEY GENERAL. SUBRECIPIENT AND THE GLO SHALL FURNISH TIMELY WRITTEN NOTICE TO EACH OTHER OF ANY SUCH CLAIM.\*
26. TO THE EXTENT ALLOWED BY LAW, SUBRECIPIENT SHALL DEFEND, INDEMNIFY, AND HOLD HARMLESS THE GLO AND THE STATE OF TEXAS FROM AND AGAINST ANY AND ALL CLAIMS, VIOLATIONS, MISAPPROPRIATIONS OR INFRINGEMENT OF ANY PATENT, TRADEMARK, COPYRIGHT, TRADE SECRET OR OTHER INTELLECTUAL PROPERTY RIGHTS AND/OR OTHER INTANGIBLE

\* This section does not apply to a contract with a "governmental entity" as defined in Texas Government Code Chapter 2251.



PROPERTY, PUBLICITY OR PRIVACY RIGHTS, AND/OR IN CONNECTION WITH OR ARISING FROM: (1) THE PERFORMANCE OR ACTIONS OF SUBRECIPIENT PURSUANT TO THIS CONTRACT; (2) ANY DELIVERABLE, WORK PRODUCT, CONFIGURED SERVICE OR OTHER SERVICE PROVIDED HEREUNDER; AND/OR (3) THE GLO'S AND/OR SUBRECIPIENT'S USE OF OR ACQUISITION OF ANY REQUESTED SERVICES OR OTHER ITEMS PROVIDED TO THE GLO BY SUBRECIPIENT OR OTHERWISE TO WHICH THE GLO HAS ACCESS AS A RESULT OF SUBRECIPIENT'S PERFORMANCE UNDER THE CONTRACT. SUBRECIPIENT AND THE GLO SHALL FURNISH TIMELY WRITTEN NOTICE TO EACH OTHER OF ANY SUCH CLAIM. SUBRECIPIENT SHALL BE LIABLE TO PAY ALL COSTS OF DEFENSE, INCLUDING ATTORNEYS' FEES. THE DEFENSE SHALL BE COORDINATED BY SUBRECIPIENT WITH THE OFFICE OF THE TEXAS ATTORNEY GENERAL (OAG) WHEN TEXAS STATE AGENCIES ARE NAMED DEFENDANTS IN ANY LAWSUIT AND SUBRECIPIENT MAY NOT AGREE TO ANY SETTLEMENT WITHOUT FIRST OBTAINING THE CONCURRENCE FROM OAG. IN ADDITION, SUBRECIPIENT WILL REIMBURSE THE GLO AND THE STATE OF TEXAS FOR ANY CLAIMS, DAMAGES, COSTS, EXPENSES OR OTHER AMOUNTS, INCLUDING, BUT NOT LIMITED TO, ATTORNEYS' FEES AND COURT COSTS, ARISING FROM ANY SUCH CLAIM. IF THE GLO DETERMINES THAT A CONFLICT EXISTS BETWEEN ITS INTERESTS AND THOSE OF SUBRECIPIENT OR IF THE GLO IS REQUIRED BY APPLICABLE LAW TO SELECT SEPARATE COUNSEL, THE GLO WILL BE PERMITTED TO SELECT SEPARATE COUNSEL AND SUBRECIPIENT WILL PAY ALL REASONABLE COSTS OF THE GLO'S COUNSEL.\*

27. Subrecipient has disclosed in writing to the GLO all existing or known potential conflicts of interest relative to the performance of the Contract.
28. Sections 2155.006 and 2261.053 of the Texas Government Code prohibit state agencies from accepting a solicitation response or awarding a contract that includes proposed financial participation by a person who, in the past five years, has been convicted of violating a federal law or assessed a penalty in connection with a contract involving relief for Hurricane Rita, Hurricane Katrina, or any other disaster, as defined by Section 418.004 of the Texas Government Code, occurring after September 24, 2005. Under Sections 2155.006 and 2261.053 of the Texas Government Code, Subrecipient certifies that the individual or business entity named in this Contract is not ineligible to receive the specified Contract and acknowledges that this Contract may be terminated and payment withheld if this certification is inaccurate.\*
29. The person executing this Contract certifies that he/she is duly authorized to execute this Contract on his/her own behalf or on behalf of Subrecipient and legally empowered to contractually bind Subrecipient to the terms and conditions of the Contract and related documents.
30. If the Contract is for architectural or engineering services, pursuant to Section 2254.0031 of the Texas Government Code, which incorporates by reference Section 271.904(d) of the Texas Local Government Code, Subrecipient shall perform services (1) with professional skill and care ordinarily provided by competent engineers or architects practicing under the same or similar circumstances and professional license, and (2) as expeditiously as is prudent considering the ordinary professional skill and care of a competent engineer or architect.\*

\* This section does not apply to a contract with a "governmental entity" as defined in Texas Government Code Chapter 2251.

31. The state auditor may conduct an audit or investigation of any entity receiving funds from the state directly under the Contract or indirectly through a subcontract under the Contract. The acceptance of funds directly under the Contract or indirectly through a subcontract under the Contract acts as acceptance of the authority of the state auditor, under the direction of the legislative audit committee, to conduct an audit or investigation in connection with those funds. Under the direction of the legislative audit committee, an entity that is the subject of an audit or investigation by the state auditor must provide the state auditor with access to any information the state auditor considers relevant to the investigation or audit. Subrecipient shall ensure that this paragraph concerning the authority to audit funds received indirectly by subcontractors through the Contract and the requirement to cooperate is included in any subcontract it awards. The GLO may unilaterally amend the Contract to comply with any rules and procedures of the state auditor in the implementation and enforcement of Section 2262.154 of the Texas Government Code.
32. Subrecipient certifies that neither it nor its principals are debarred, suspended, proposed for debarment, declared ineligible, or otherwise excluded from participation in the Contract by any state or federal agency.
33. If the Contract is for the purchase or lease of covered television equipment, as defined by Section 361.971(3) of the Texas Health and Safety Code, Subrecipient certifies its compliance with Subchapter Z, Chapter 361 of the Texas Health and Safety Code, related to the Television Equipment Recycling Program.
34. Pursuant to Section 572.069 of the Texas Government Code, Subrecipient certifies it has not employed and will not employ a former state officer or employee who participated in a procurement or contract negotiations for the GLO involving Subrecipient within two (2) years after the date that the contract is signed or the procurement is terminated or withdrawn. This certification only applies to former state officers or employees whose state service or employment ceased on or after September 1, 2015.
35. The GLO shall post this Contract to the GLO's website. Subrecipient understands that the GLO will comply with the Texas Public Information Act (Texas Government Code Chapter 552, the "PIA"), as interpreted by judicial rulings and opinions of the Attorney General of the State of Texas (the "Attorney General"). Information, documentation, and other material in connection with this Contract may be subject to public disclosure pursuant to the PIA. In accordance with Section 2252.907 of the Texas Government Code, Subrecipient is required to make any information created or exchanged with the GLO or the State of Texas pursuant to the Contract, and not otherwise excepted from disclosure under the PIA, available to the GLO in portable document file (".pdf") format or any other format agreed upon between the Parties that is accessible by the public at no additional charge to the GLO or the State of Texas. By failing to mark any information that Subrecipient believes to be excepted from disclosure as "confidential" or a "trade secret," Subrecipient waives any and all claims it may make against the GLO for releasing such information without prior notice to Subrecipient. The Attorney General will ultimately determine whether any information may be withheld from release under the PIA. Subrecipient shall notify the GLO's Office of General Counsel within twenty-four (24) hours of receipt of any third-party written requests for information and forward a copy of said written requests to [PIALegal@glo.texas.gov](mailto:PIALegal@glo.texas.gov). If a request for information was not written, Subrecipient shall forward the third party's contact information to the above-designated e-mail address.

\* This section does not apply to a contract with a "governmental entity" as defined in Texas Government Code Chapter 2251.

36. The GLO does not tolerate any type of fraud. GLO policy promotes consistent, legal, and ethical organizational behavior by assigning responsibilities and providing guidelines to enforce controls. Any violations of law, agency policies, or standards of ethical conduct will be investigated, and appropriate actions will be taken. Subrecipient must report any possible fraud, waste, or abuse that occurs in connection with the Contract to the GLO in the manner prescribed by the GLO's website, <http://glo.texas.gov>.
37. If Subrecipient, in its performance of the Contract, has access to a state computer system or database, Subrecipient must complete a cybersecurity training program certified under Texas Government Code Section 2054.519, as selected by the GLO. Subrecipient must complete the cybersecurity training program during the initial term of the Contract and during any renewal period. Subrecipient must verify in writing to the GLO its completion of the cybersecurity training program.
38. Under Section 2155.0061, Texas Government Code, Subrecipient certifies that the entity named in this Contract is not ineligible to receive the specified Contract and acknowledges that this Contract may be terminated and payment withheld if this certification is inaccurate.\*
39. Subrecipient certifies that it does not require its customers to provide any documentation certifying the customer's COVID-19 vaccination or post-transmission recovery on entry to, to gain access to, or to receive service from Subrecipient's business. Subrecipient acknowledges that such a vaccine or recovery requirement would make Subrecipient ineligible for a state-funded contract.
40. Pursuant to Government Code Section 2275.0102, Subrecipient certifies that neither it nor its parent company, nor any affiliate of Subrecipient or its parent company, is: (1) majority owned or controlled by citizens or governmental entities of China, Iran, North Korea, Russia, or any other country designated by the Governor under Government Code Section 2275.0103, or (2) headquartered in any of those countries.\*
41. If Subrecipient is required to make a verification pursuant to Section 2276.002 of the Texas Government Code, Subrecipient verifies that Subrecipient does not boycott energy companies and will not boycott energy companies during the term of the Contract. If Subrecipient does not make that verification, Subrecipient must notify the GLO and state why the verification is not required.\*
42. If Subrecipient is required to make a verification pursuant to Section 2274.002 of the Texas Government Code, Subrecipient verifies that it (1) does not have a practice, policy, guidance, or directive that discriminates against a "firearm entity" or "firearm trade association" as those terms are defined in Texas Government Code section 2274.001 and (2) will not discriminate during the term of the Contract against a firearm entity or firearm trade association. If Subrecipient does not make that verification, Subrecipient must notify the GLO and state why the verification is not required.\*
43. If Subrecipient is a "professional sports team" as defined by Texas Occupations Code Section 2004.002, Subrecipient will play the United States national anthem at the beginning of each team sporting event held at Subrecipient's home venue or other venue controlled by Subrecipient for the event. Failure to comply with this obligation constitutes a default of this Contract, and immediately subjects Subrecipient to the penalties for default, such as repayment of money received or ineligibility for additional money. In addition, Subrecipient

\* This section does not apply to a contract with a "governmental entity" as defined in Texas Government Code Chapter 2251.

may be debarred from contracting with the State. The GLO or the Attorney General may strictly enforce this provision.\*

44. To the extent Section 552.371 of the Texas Government Code applies to Subrecipient and the Contract, in accordance with Section 552.372 of the Texas Government Code, Subrecipient must (a) preserve all contracting information related to the Contract in accordance with the records retention requirements applicable to the GLO for the duration of the Contract, (b) no later than the tenth business day after the date of the GLO's request, provide to the GLO any contracting information related to the Contract that is in Subrecipient's custody or possession, and (c) on termination or expiration of the Contract, either (i) provide to the GLO at no cost all contracting information related to the Contract that is in Subrecipient's custody or possession or (ii) preserve the contracting information related to the Contract in accordance with the records retention requirements applicable to the GLO. Except as provided by Section 552.374(c) of the Texas Government Code, the requirements of Subchapter J, Chapter 552, Government Code, may apply to the Contract and Subrecipient agrees that the Contract may be terminated if Subrecipient knowingly or intentionally fails to comply with a requirement of that subchapter.\*
45. If the Contract is for consulting services governed by Chapter 2254 of the Texas Government Code, Subrecipient, upon completion of the Contract, must give the GLO a compilation, in a digital medium agreed to by the Parties, of all documents, films, recordings, or reports Subrecipient compiled in connection with its performance under the Contract.\*
46. If subject to 2 C.F.R. 200.216, Subrecipient shall not obligate or expend funding provided under this Contract to: (a) procure or obtain; (b) extend or renew a contract to procure or obtain; or (c) enter into a contract to procure or obtain covered telecommunications equipment or services, as described in Public Law 115-232, Section 889, including systems that use covered telecommunications equipment or services as a substantial or essential component of any system, or as critical technology as part of any system.
47. To the extent Texas Government Code Chapter 2252, Subchapter G applies to the Contract, any iron or steel product Subrecipient uses in its performance of the Contract that is produced through a manufacturing process, as defined in Section 2252.201(2) of the Texas Government Code, must be produced in the United States.
48. If subject to 2 C.F.R. 200.217, Subrecipient shall not discharge, demote, or otherwise discriminate against an employee as a reprisal for lawfully disclosing information that the employee reasonably believes is evidence of gross mismanagement, waste, abuse of authority, a danger to public health or safety, or a violation of law related to a Federal contract or grant. Subrecipient shall inform its employees in writing of their whistleblower rights and protections under 41 U.S.C. 4712.

\* This section does not apply to a contract with a "governmental entity" as defined in Texas Government Code Chapter 2251.



## ATTORNEY'S REVIEW CERTIFICATION

I, the undersigned, \_\_\_\_\_, the duly authorized and acting legal representative of the \_\_\_\_\_, do hereby certify as follows:

I have examined the attached contract(s) and surety bonds and am of the opinion that each of the agreements may be duly executed by the proper parties, acting through their duly authorized representatives; that said representatives have full power and authority to execute said agreements on behalf of the respective parties; and that the agreements shall constitute valid and legally binding obligations upon the parties executing the same in accordance with terms, conditions and provisions thereof.

Attorney's signature: \_\_\_\_\_ Date: \_\_\_\_\_

Print Attorney's Name: \_\_\_\_\_

Texas State Bar Number: \_\_\_\_\_

## CONTRACTOR'S FINAL PAYMENT AFFIDAVIT

<b>City/County:</b>			<b>CDBG-MIT No:</b>	
<b>Contractor:</b>			<b>Date:</b>	

**BEFORE ME, THE UNDERSIGNED AUTHORITY**, on this day personally appeared \_\_\_\_\_, who being duly sworn, on oath, says that he is a duly authorized representative of \_\_\_\_\_; Contractor, and that all terms of the Contract for the completion of certain public works described as \_\_\_\_\_; City/County of \_\_\_\_\_, Texas have been satisfactorily completed and that ALL sums of money for payrolls, bills for material and equipment, and other indebtedness connected with the Work for the Owner or its property might in any way be responsible to the best of my knowledge and belief, have been paid or will be paid or otherwise satisfied within thirty days after receipt of final payment from the Owner, or within the period of time required by Article 601f, Vernon's Civil Statutes. Payments not made in full at the time of this affidavit are listed below.

<b>FINAL PAYMENTS pending as of this date hereof are:</b>		<b>None Pending</b>		<b>As Listed Below</b>
---	--	---------------------	--	------------------------

Individual or Co. Name	Mailing Address	Amount Owed

Signature
Title

Affidavit must be signed by an individual owner or partner in partnership, or by a person authorized by by-laws or Board of Directors to sign for a corporation. If Contractor is a joint venture or partnership of individuals, either may sign, but if a joint venture in which a corporation is a party, separate affidavits must be executed by each corporation and by each individual owner or partnership. In the event subcontractors, laborers, or material suppliers have not been paid in full, the Contractor shall list here on the amount owed and the name and address of each subcontractor, laborer, or material supplier to whom such payment is owed.

\_\_\_\_\_

Sworn and Subscribed before me this, the \_\_\_\_\_ day of \_\_\_\_\_  
\_\_\_\_\_, 20\_\_\_\_\_.

	(SEAL)
--	--------

Notary Public in and for \_\_\_\_\_  
County, Texas

## **Mitigation Measures and Conditions [40 CFR 1505.2(c)]**

Summarize below all mitigation measures adopted by the Responsible Entity to reduce, avoid, or eliminate adverse environmental impacts and to avoid non-compliance or non-conformance with the above-listed authorities and factors. These measures/conditions must be incorporated into project contracts, development agreements, and other relevant documents. The staff responsible for implementing and monitoring mitigation measures should be clearly identified in the mitigation plan.

<b>Law, Authority, or Factor</b>	<b>Mitigation Measures and Best Management Practices</b>
<p><b>Clean Air</b> Clean Air Act, as amended, particularly section 176(c) &amp; (d); 40 CFR Parts 6, 51, 93</p>	<p><i>During project construction, there will be some increase in ambient dust particulate from machinery and soil disturbances. These will be only temporary in nature and all efforts will be made through proper construction methods to ensure dust control and properly functioning equipment.</i></p>
<p><b>Historic Preservation</b> National Historic Preservation Act of 1966, particularly sections 106 and 110; 36 CFR Part 800</p>	<p><i>If historic properties are discovered or cultural materials are encountered during construction or disturbance activities or unanticipated effects on historic properties are found, work should cease in the immediate area and THC's History Programs, THC's Archeology Division, and the Texas General Land Office (GLO) should be contacted to consult on further actions that may be necessary to protect historic properties or cultural remains. Work can continue in areas where no historic properties are present.</i></p>
<p><b>Contamination and Toxic Substances</b> 24 CFR Part 50.3(i) &amp; 58.5(i)(2)</p>	<p><i>If any personnel identify an observable sheen or petroleum odor during excavation, "stop work authority" must be employed until it is determined to be safe to proceed by a qualified professional.</i></p> <p><i>During construction, if discolored or stained soil or soil containing a chemical odor is discovered, work should cease in the immediate area and TCEQ should be contacted for further instructions. These are signs of contaminated soil.</i></p> <p><i>Due to the proximity of the project to a historic closed landfill, it is recommended that the contractor utilize air monitoring equipment for potential methane gas migration and incursion on enclosed spaces.</i></p>
<p><b>Floodplain Management</b> Executive Order 11988, particularly section 2(a); 24 CFR Part 55</p>	<p><i>The project shall implement methods designed to protect improvements from flood damage and to protect natural landscapes that serve to maintain or restore natural hydrology through infiltration. The consulting engineer shall take into consideration additional specifications to minimize damage to, and/or restore, the native plant species. The project shall not lead to any significant increases in impermeable cover and shall have no negative impacts on the floodplain. Additionally, prior to construction, the project plans will meet any applicable local floodplain requirements set forth by the community's Floodplain Administrator.</i></p>
<p><b>Wetlands Protection</b> Executive Order 11990, particularly sections 2 and 5</p>	<ul style="list-style-type: none"> <li>• <i>Best management practices shall be used to ensure erosion control and to prevent the unintentional discharge of dredged or fill material into the wetland. Examples of best management practice used to control erosion are the use of compost blankets and silt fences, whichever the engineers deem effective.</i></li> <li>• <i>Staging and operating heavy machinery within the wetland or riparian area will be avoided.</i></li> </ul>

	<ul style="list-style-type: none"> <li>• Preventative construction techniques will be used to reduce the availability of construction-related pollutants that might contaminate runoff.</li> <li>• The consulting engineer shall take into consideration additional specifications to minimize damage to identified wetlands.</li> <li>• The consulting engineer shall take into consideration additional specifications to minimize damage to and/or restore the native plant species.</li> <li>• The project shall not lead to any significant increases in impermeable cover and shall have no negative impacts on the floodplain/wetland, as all sewer lines will be subsurface, and the project area will be restored to pre-project conditions upon completion.</li> <li>• If the project changes, the consulting engineer will acquire all necessary permits, including any from USACE relating to wetlands, prior to construction.</li> <li>• All state and local floodplain and wetland protection procedures will be followed.</li> </ul>
<p><b>Endangered Species</b> Endangered Species Act of 1973, particularly section 7; 50 CFR Part 402</p>	<p>Provide Construction workers with a list of federal threatened and endangered species and state listed rare species. If construction workers identify or encounter threatened or endangered species or state listed rare species, construction should cease immediately and Texas Parks &amp; Wildlife should be contacted for guidance.</p> <p>Avoid activities requiring vegetation removal or disturbance during peak bird nesting season (March through August) to prevent the destruction of migratory birds, nests, or eggs. When project activities cannot occur outside the bird nesting season, conduct surveys prior to scheduled activity to determine if active nests are present within the area of impact. If evidence of migratory birds is found, a qualified biologist with USFWS should be notified.</p>

**Determination:**

**Finding of No Significant Impact** [24 CFR 58.40(g)(1); 40 CFR 1508.27]

The project will not result in a significant impact on the quality of the human environment.

**Finding of Significant Impact** [24 CFR 58.40(g)(2); 40 CFR 1508.27]

The project may significantly affect the quality of the human environment.



Preparer's Signature

5/13/2024

Date

Ben Kleesattel, Environmental Specialist

Preparer's Name and Title

GrantWorks, Inc

Preparer's Agency



5/15/2024

---

Responsible Entity Certifying Official Signature

Date

---

Sam R. Fugate, Mayor

Responsible Entity Certifying Official Name and Title

*This original, signed document and related supporting material must be retained on file by the Responsible Entity in an Environmental Review Record (ERR) for the activity/project (ref: 24 CFR Part 58.38) and in accordance with recordkeeping requirements for the HUD program(s).*



**COMMUNITY DEVELOPMENT & REVITALIZATION**  
**The Texas General Land Office**  
*Construction Change Order Request*

**NOTE:** Texas Local Government Code Sec. 262.031 "CHANGES IN PLANS AND SPECIFICATIONS" regulations apply. Generally, a cumulative increase in the contract price in excess of 25% or a cumulative decrease in excess of 18% are disallowed.

Subrecipient:  GLO Contract Number:  Date:

Engineer Name Address & Phone	Subrecipient Name, Address, & Phone Number:	Contractor Name, Address & Phone Number:

Project #:  Bid Package #:  Change Order #:

Contract Origination Date:  Project Description:

**You are hereby requested to comply with the following changes from the contract plans and specifications.**

Item No.	Description of Changes: Quantities, Units, Unit Prices, Change in Completion Schedule etc.	Decrease in Contract Price	Increase in Contract Price

*See sheet 2 to add additional entries*

**Change in Construction Contract Price**

**Change in Contract Time (Calendar Days)**

Original Contract Price:

Cumulative Previous Change Order(s) Total:

Contract Price Prior to this Change Order:

Net Increase/Decrease of this Change Order:

Original Contract Time in Days:

Net Change from Previous Change Order(s) in Days:

Contract Time Prior to this Change Order in Days:

Net Increase/Decrease of this Change Order in Days:



**COMMUNITY DEVELOPMENT & REVITALIZATION**  
**The Texas General Land Office**  
*Construction Change Order Request*

Contract Price with All Approved Change Orders:	<input type="text"/>	Contract Time with All Approved Change Orders in Days:	<input type="text"/>
Cumulative Percent Change in Contract Price (+/-)	<input type="text"/>	Subrecipient Contract End Date:	<input type="text"/>
Construction Contract Start Date:	<input type="text"/>	Construction Contract End Date:	<input type="text"/>

Reimbursements of costs included in this change order are subject to review by GLO-CDR.

**\*This document may be executed prior to submission for GLO-CDR review, but all parties involved will be held responsible if the change order or amendment warranted as a result of this change order is not in compliance with CDBG or HUD Requirements**

Subrecipient Signature	Engineer Signature	Contractor Signature
Subrecipient Name and Title (Printed)	Engineer Name and Title (Printed)	Contractor Name and Title (Printed)
Subrecipient Signature	Engineer Signature	Contractor Signature

**Justification for Change Order**

1. Will this change order increase or decrease the number of beneficiaries?  Increase  Decrease  No Change

If there is a change, how many beneficiaries will be affected?

Total  LMI

2. Effect of this change on the scope of work:  Increase  Decrease  No Change

3. Effect on operation and maintenance costs:  Increase  Decrease  No Change

4. Are all prices in the change order dependent upon unit prices found in the original bid?  Yes  No

If "no", explain:

5. Has the change created new circumstances or environmental conditions which may affect the project's impact, such as concealed or unexpected conditions discovered during actual construction?  Yes  No

If "yes", is an environmental assessment required?





**COMMUNITY DEVELOPMENT & REVITALIZATION**  
**The Texas General Land Office**  
*Construction Change Order Request*

- 
6. Is the Texas Council on Environmental Quality (TCEQ) clearance still valid (if applicable)?  Yes  No
7. Is the CCN permit still valid? (sewer projects only)  Yes  No
8. Are the disability access requirements/approval still valid (if applicable)?  Yes  No
9. Are other Disaster Recovery contractual special condition clearances still valid?  Yes  No

If "no", explain:

**Disclaimer:** *The Texas General Land Office has made every effort to ensure the information contained on this form is accurate and in compliance with the most up-to-date CDBG-DR and/or CDBG-MIT federal rules and regulations, as applicable. It should be noted that the Texas General Land Office assumes no liability or responsibility for any error or omission on this form that may result from the interim period between the publication of amended and/or revised federal rules and regulations and the Texas General Land Office's standard review and update schedule.*



**COMMUNITY DEVELOPMENT & REVITALIZATION**  
**The Texas General Land Office**  
*Certificate of Construction Completion*

Subrecipient:  Contract #:  Date:

This is to certify that a final inspection of the project described below was conducted on

Contract was entered into on  between the city/county of  and

for the construction of

This is to further certify that:

1. The work has been completed in accordance with the plans and specifications and all addenda, change orders, and supplemental agreements thereto, with the following exceptions:

2. The sum of , deducted from the final payment to the Contractor is a fair and equitable settlement for the foregoing excepted work.

3. The Contractor has presented on behalf of itself and its sureties, satisfactory evidence that he or she will repair, replace or make good any faulty workmanship and/or materials discovered in the work within a period of  from this date, as provided in the Contract.

4. Amount of Original Contract:

Cumulative Change Orders:

Final Amount of Contract:

Less Previous Payments:

Less Deductions (from #2 above):

FINAL PAYMENT (Balance):

5. The Final Payment in the amount above is now due and payable.

6. Final Quantities:

Activity Code (dropdown)	Project Name (from Performance Standard)	Description (What is your Activity?)	Quantity	Metric (dropdown)



**COMMUNITY DEVELOPMENT & REVITALIZATION**  
**The Texas General Land Office**  
*Certificate of Construction Completion*

Activity Code (dropdown)	Project Name (from Performance Standard)	Description (What is your Activity?)	Quantity	Metric (dropdown)

Certified by :

--	--	--

Engineer's Signature

Contractor's Signature

Subrecipient's Signature

--	--	--

Engineer's Name and Title (Printed)

Contractor's Name and Title (Printed)

Subrecipient Name and Title (Printed)

--	--	--

Firm

Firm

City/County of

**Disclaimer:** The Texas General Land Office has made every effort to ensure the information contained on this form is accurate and in compliance with the most up-to-date CDBG-DR and/or CDBG-MIT federal rules and regulations, as applicable. It should be noted that the Texas General Land Office assumes no liability or responsibility for any error or omission on this form that may result from the interim period between the publication of amended and/or revised federal rules and regulations and the Texas General Land Office's standard review and update schedule.

**TABLE OF CONTENTS**  
**FOR TECHNICAL SPECIFICATIONS**

**City Of Kingsville**

DIVISION I

GENERAL REQUIREMENTS

01040	Project Coordination
01090	Definitions and Standards
01200	Project Meetings
01300	Submittals
01700	Contract Closeout

DIVISION II

SITE WORK

021000	Site Preparation
021020	Site Clearing and Stripping
021040	Site Grading
021080	Removing Old Structures
021100	Site Clearing and Stripping
022000	Earthwork
022020	Excavations and Backfill for Utilities and Sewers
022022	Trench Safety for Excavation
022040	Street Excavation
022060	Channel Excavation
022100	Select Material
022420	Silt Fence
025205	Pavement Repair, Curb, Gutter, Sidewalk and Driveway Replacement
025208	Soil – Cement Base (S-17)
025210	Lime Stabilization
025213	Asphalt Stabilized Base (S-26)
025215	Cement Stabilized Caliche Base (S-47)
025220	Caliche Base
025223	Flexible Base
025280	Concrete Curbs and Gutters
025410	Asphalt Crack Sealing (S-36)
025424	Hot Mix Asphaltic Concrete Pavement (Class A) Type D
025608	Inlets
025610	Concrete Curb and Gutter
025612	Concrete Sidewalks and Driveways
025614	Concrete Curb Ramps
025802	Temporary Traffic Controls During Construction
025803	Traffic Signal Adjustments
025805	Work Zone Pavement Markings
026202	Hydrostatic Testing of Pressure System
026206	Ductile Iron Pipe and Fittings
026402	Installation of Water Pipe
026404	Water Service Lines
026414	Butterfly Valves for Waterlines (s-85b)

026416 Fire Hydrants  
027202 Manholes  
027402 Reinforced Concrete Pipe Culverts  
027404 Concrete Box Culverts  
027610 Televised Inspection of Conduits  
027611 Cleaning and Televised Inspections of Conduits  
028020 Seeding  
028040 Sodding  
028200 Mailbox Relocation

DIVISION III

CONCRETE

030020 Portland Cement Concrete  
033000 Cast -in-Place Concrete  
038000 Concrete Structures

DIVISION V

METALS

050200 Welding  
055420 Frames, Grates, Rings and Covers

DIVISION VI

PLUMBING

150620 Plumbing

**THE END**

**SECTION 01040**  
**PROJECT COORDINATION**

**1. GENERAL**

1.1 SUMMARY

- A. This section specifies administrative and supervisory requirements necessary for project coordination including but not necessarily limited to:
  - 1. Coordination.
  - 2. Administrative and supervisory personnel.
  - 3. General installation provisions.
- B. Progress meetings, coordination meetings, and pre-installation conferences are included in Section 01200, Project Meetings.
- C. Requirements for the Contractors construction schedule are included in Section 01300, Submittals.

1.2 COORDINATION

- A. Coordination: Coordinate construction activities included under various sections of these specifications to assure efficient and orderly installation of each part of the work. Coordinate construction operations included under different sections of the specifications that are dependent upon each other for proper installation, connection, and operation.
  - 1. Where installation of one part of the work is dependent on installation of other components, either before or after its own installation, schedule construction activities in the sequence required to obtain the best results.
  - 2. Where availability of space is limited, coordinate installation of different components to assure maximum accessibility for required maintenance, service, and, repair.
  - 3. Make adequate provisions to accommodate items scheduled for later installation.
  - 4. Prepare memoranda for distribution to each involved party outlining special procedures required for coordination. Include such items as required notices, reports, and attendance at meetings.
- B. Administrative Procedures: Coordinate scheduling and timing of required administrative procedures with other construction activities to avoid conflicts and ensure orderly progress of the work. Such administrative activities include, but are not limited to, the following:
  - 1. Preparation of schedules.
  - 2. Installation and removal of temporary facilities.
  - 3. Delivery and processing of submittals.

4. Progress meetings.
5. Project closeout activities.

### 1.3 SUBMITTALS

Within 10 days of the Notice to Proceed, the Contractor will submit a list of the Contractor's principal staff assignments, including the superintendent and other personnel in attendance at the site; provide a proposed organizational chart identifying individuals, their duties and responsibilities; and list the proposed staffs addresses and telephone numbers.

### 1.4 GENERAL INSTALLATION PROVISIONS

- A. Manufacturer's Instructions: Comply with manufacturer's installation instructions and recommendations if those instructions and recommendations are more explicit or stringent than requirements contained in the Contract Documents.
- B. Inspect materials or equipment immediately upon delivery and again prior to installation. Reject damaged and defective items.
- C. Recheck measurements and dimensions before starting installation procedure.
- D. Install each component during weather conditions and at the point in project sequence that will ensure the best possible results. Isolate each part of the completed construction from incompatible material as necessary to prevent deterioration.
- E. Coordinate temporary enclosures with required inspections and tests to minimize the necessity of uncovering completed construction for that purpose.

### 1.5 CLEANING AND PROTECTION

- A. During handling and installation, clean and protect construction in progress and adjoining materials in place. Apply protective covering where required to ensure protection from damage or deterioration at Substantial Completion.
- B. Limiting Exposures: Supervise construction activities to ensure that no part of the construction completed or in progress, is subject to harmful, dangerous, damaging, or otherwise deleterious exposure during the construction period. Where applicable, such exposures include, but are not limited to, the following:
  1. Excessive static or dynamic loading.
  2. Excessive internal or external pressures.
  3. Heavy traffic.
  4. Vibration from adjacent activity.
  5. Erosion.
  6. Damage by contact with construction equipment.

## **2. PRODUCTS**

(Not Used)

**3. EXECUTION**

(Not Used)

**4. MEASUREMENT & PAYMENT**

(Not Used)

**END OF SECTION**



**SECTION 01090**  
**DEFINITIONS AND STANDARDS**

**1. GENERAL**

1.1 SUMMARY

- A. This section specifies administrative requirements for compliance with governing regulations, codes, and standards.
- B. Requirements include obtaining permits, licenses, inspections, releases, and similar documentation as well as payments, statements, and similar requirements associated with regulations, codes, and standards.

1.2 DEFINITIONS

- A. General: Definitions contained in this article are not necessarily complete but are general to the extent that they are not defined more explicitly elsewhere in the Contract Documents.
- B. Indicated: Indicated refers to graphic representations, notes, or schedules on the drawings; other paragraphs or schedules in the specifications; and similar requirements in the Contract Documents. Where terms such as shown, noted, and specified are used, it is to help locate the reference; no limitation on location is intended except as specifically noted.
- C. Directed: Terms such as directed, requested, authorized, selected, approved, required, and permitted mean directed by the Engineer, requested by the Engineer, interpreted to extend the Engineers responsibility into the Contractors area of construction supervision.
- D. Approved: The term approved, where used in conjunction with the Engineers action on the Contractors submittals, applications, and requests, is limited to the responsibilities and duties of the Engineer stated in the General and Special Conditions. Such approval will not release the Contractor from responsibility to fulfill Contract Document requirements unless otherwise provided in the Contract Documents.
- E. Regulations: The term regulations include laws, statutes, ordinances, and lawful orders issued by authorities having jurisdiction as well as rules, conventions, and agreements within the construction industry that control performance of the work, whether they are lawfully imposed by authorities having jurisdiction or not.
- F. Furnish: The term furnish is used to mean supply and deliver to the project site, ready for unloading, unpacking, assembly, installation, and similar operations.
- G. Install: The term install is used to describe operations at the project site including the actual unloading, unpacking, assembly, erection, placing, anchoring, applying, working to dimension, and finishing, curing, protecting, cleaning, and similar operations.

- H. Provide: The term provide means to furnish and install, complete and ready for the intended use.
- I. Installer: An installer is an entity engaged by the Contractor, either as an employee, subcontractor, or sub-subcontractor, for performance of a particular construction activity including installation, erection, application, and similar operations. Installers are required to be experienced in the operations they are engaged to perform.
- J. Project Site: That space made available by the Engineer to the Contractor for performance of the work either exclusively or in conjunction with others performing other construction as part of the project. The overall extent of the project site is shown on the drawings.
- K. Testing Laboratories: A testing laboratory is an independent entity engaged to perform specific inspections or tests, either at the project site or elsewhere, and to report on and, if required, interpret results of those inspections or tests.

### 1.3 INDUSTRY STANDARDS

- A. Applicability of Standards:
  - 1. Except where the Contract Documents include more stringent requirements, applicable construction industry standards have the same force and effect as if bound or copied directly into the Contract Documents. Such standards are made a part of the Contract Documents by reference.
  - 2. Referenced standards take precedence over standards that are not referenced but recognized in the construction industry as standard practice.
- B. Publication Dates: Where compliance with an industry standard is required, comply with the standard in effect as of the date of the Contract Documents.
- C. Conflicting Requirements:
  - 1. Where compliance with two or more standards is specified, and they establish different or conflicting requirements for minimum quantities or quality levels, the most stringent requirement will be enforced unless the Contract Documents indicate otherwise. Refer requirements that are different but apparently equal and uncertainties as to which level is more stringent to the Engineer for a decision before proceeding.
  - 2. Minimum Quantities or Quality Levels: In every instance the quantity or quality level shown or specified will be the minimum to be provided or performed. The actual installation may comply exactly, within specified tolerances, with the minimum quantity or quality specified, or it may exceed that minimum within reasonable limits. In complying with these requirements, indicated numeric values are minimum or maximum values as noted or appropriate for the context of the requirements. Refer instances of uncertainty to the Engineer for decision before proceeding.

- D. Copies of Standards: Each entity engaged in construction on the project is required to be familiar with industry standards applicable to that entity's construction activity. Copies of applicable standards are listed but not included with the Contract Documents. Also refer to paragraph 1.03-A-1.
  
- E. Abbreviations and Names: Trade association names and titles of general standards are frequently abbreviated. Where acronyms or abbreviations are used in the specifications or other Contract Documents they mean the recognized name of the trade association, standards generating organization, authority having jurisdiction, or other entity applicable to the context of the text provision.

## **2. PRODUCTS**

(Not Used)

## **3. EXECUTION**

(Not Used)

## **4. MEASUREMENT & PAYMENT**

(Not Used)

**END OF SECTION**

**SECTION 01200**  
**PROJECT MEETINGS**

**1. GENERAL**

1.1 SUMMARY

- A. This section specifies administrative and procedural requirements for project meetings including but not limited to:
  - 1. Preconstruction conferences.
  - 2. Pre-installation meetings.
  - 3. Coordination meetings.
  - 4. Progress meetings.
  
- B. Construction schedules are specified in Section 01300, Submittals.

1.2 PRECONSTRUCTION CONFERENCE

- A. A preconstruction conference and organizational meeting will be scheduled by the Engineer at the project site or other convenient location no later than 10 days after execution of the Agreement and prior to commencement of construction activities. The meeting will be conducted to review responsibilities and personnel assignments with the Engineer and the Contractor.
  
- B. Attendees: The Engineer, Contractor, and subcontractors will each be represented at the conference by persons familiar with and authorized to conclude matters relating to the work.
  
- C. Agenda: Discuss items of significance that could affect progress including such topics as:
  - 1. Tentative construction schedule.
  - 2. Critical working sequencing.
  - 3. Designation of responsible personnel.
  - 4. Procedures for processing field decisions.
  - 5. Procedures for processing applications for payment.
  - 6. Distribution of Contract Documents.
  - 7. Submittal of shop drawings, product data, and samples.
  - 8. Preparation of record documents.
  - 9. Use of the premises.
  - 10. Office, work, and storage areas.
  - 11. Equipment deliveries and priorities.
  - 12. Safety procedures.
  - 13. First aid.
  - 14. Security.
  - 15. Housekeeping.
  - 16. Working hours.

### 1.3 PRE-INSTALLATION MEETINGS

- A. Pre-installation meetings may be held prior to beginning installation of critical work items. These items include:
  - 1. Steel sheet pile installation.
  - 2. Concrete repair.
- B. These meetings will be attended by all persons involved in the supervision, inspection, and quality control of this work. Those required to attend are as follows:
  - 1. Engineer.
  - 2. Contractor's project manager and superintendent.
  - 3. Subcontractor's superintendent.
  - 4. Crew foremen.
- C. Agenda will include:
  - 1. Layout, horizontal and vertical control, etc.
  - 2. Equipment and materials required.
  - 3. Specific methods to be used for installation.
  - 4. Review of applicable specifications.

### 1.4 COORDINATION MEETINGS

- A. The Engineer reserves the right to schedule and conduct coordination meetings at his option.
- B. The Contractor will conduct coordination meetings with his subcontractors; however, the Engineer will be invited to such meetings.
- C. Agenda: Review and solve operational conflicts between subcontractors, suppliers, and/or Owner operations.

### 1.5 PROGRESS MEETINGS

- A. The Engineer reserves the right to schedule and conduct weekly meetings at his option.
- B. Agenda: Review and correct or approve minutes of the previous progress meeting. Review other items of significance that could affect progress. Include topics for discussion as appropriate to the current status of the project.
- C. Contractors Construction Schedule: Review progress since the last meeting. Determine where each activity is in relation to the Contractors construction schedule, whether on time or ahead or behind schedule. Determine how construction behind schedule will be expedited; secure commitments from parties involved to do so. Discuss whether schedule revisions are required to ensure that current and subsequent activities will be completed within the contract time.

D. Review the present and future needs of each entity present including such items as:

1. Interface requirements.
2. Time.
3. Sequences.
4. Site utilization.
5. Hours of work.
6. Hazards and risks.
7. Housekeeping.
8. Quality and work standards.
9. Change orders.
10. Documentation of information for payment requests.

E. Schedule Updating: Revise the construction schedule after each progress meeting where revisions to the schedule have been made or recognized. Issue the revised schedule concurrently with the report of each meeting.

## **2. PRODUCTS**

(Not Used)

## **3. EXECUTION**

(Not Used)

## **4. MEASUREMENT & PAYMENT**

(Not Used)

**END OF SECTION**

**SECTION 01300**  
**SUBMITTALS**

**1. GENERAL**

1.1 SUMMARY

This section specifies administrative and procedural requirements for submittals required for performance of the work, including:

- A. Contractors partial payment and construction schedule.
- B. Submittal schedule.
- C. Shop drawings.
- D. Product data and mill certificates.

1.2 SUBMITTAL PROCEDURES

A. Coordination: Coordinate preparation and processing of submittals with performance of construction activities. Transmit each submittal sufficiently in advance of performance of related construction activities to avoid delay.

1. Coordinate each submittal with fabrication, purchase, testing, delivery, other submittals, and related activities that require sequential activities.

2. Processing:

a. Allow sufficient review time so that installation will not be delayed as a result of the time required to process submittals (including time for resubmittals).

b. Allow two weeks for initial review. Allow additional time if processing must be delayed to permit coordination with subsequent submittals. The Engineer will promptly advise the Contractor when a submittal being processed must be delayed for coordination.

B. Submittal Preparation: Place a permanent label or title block on each submittal for identification. Indicate the name of the entity that prepared each submittal on the label or title block.

1. Provide a space approximately 4" x 5" on the label or beside the title block on shop drawings to record the Contractors review and approval markings and the action taken.

2. Include the following information on the label for processing and recording action taken.

- a. Project name.
- b. Date.

- c. Name of Engineer.
- d. Name of Contractor.
- e. Name of subcontractor.
- f. Name of supplier.
- g. Name of manufacturer.
- h. Number and title of appropriate specification section.
- i. Drawing number and detail references as appropriate.

### 1.3 CONTRACTORS PARTIAL PAYMENT AND CONSTRUCTION SCHEDULE

Schedule: Prepare a fully developed construction schedule, preferably a computer-based CPM type, but a Gantt chart as a minimum. Submit within 10 days of issuance of the Notice to Proceed. The schedule will include the following:

- A. Secure time commitments for performing critical elements of the work from parties involved. Coordinate each element on the schedule with other construction activities, including minor elements involved in the sequence of the work. Show each activity in proper sequence. Indicate graphically sequences necessary for completion of related portions of the work.
- B. Prepare the Contractors construction schedule with the schedule of values, list of subcontractors, submittal schedule, progress reports, schedule of anticipated monthly partial payment requests, and all other schedules.
- C. Indicate completion in advance of the date established for Substantial Completion. Indicate Substantial Completion on the schedule to allow time for the Engineers procedures necessary for certification of Substantial Completion.

### 1.4 SUBMITTAL SCHEDULE

- A. After development and acceptance of the Contractors construction schedule, prepare a complete schedule of submittals. Submit the schedule within 10 days of the date required for establishment of the Contractors construction schedule.
  - 1. Coordinate submittal schedule with the list of subcontractors, schedule of values, and the list of products as well as the Contractor's construction schedule.
  - 2. Prepare the schedule in chronological order; include all submittals required during construction. Provide the following information:
    - a. Scheduled date for the first submittal.
    - b. Related section number.
    - c. Submittal category.
    - d. Name of subcontractor.
    - e. Description of the part of the work covered.
    - f. Scheduled date for resubmittal.
    - g. Scheduled date for Engineers final release or approval.



- B. Distribution:
  - 1. Following response to initial submittal, print and distribute copies to the Engineer, subcontractors, and other parties required to comply with submittal dates indicated. Post copies in the project meeting room and field office.
  - 2. When revisions are made, distribute to the same parties and post in the same locations. Delete parties from distribution when they have completed their assigned portion of the work and are no longer involved in construction activities.
- C. Schedule Updating: Revise the schedule after each meeting or activity, where revisions have been recognized or made. Issue the updated schedule concurrently with each meeting report.

## 1.5 SHOP DRAWINGS

- A. Submit newly prepared information, drawn to accurate scale. Highlight, encircle, or otherwise indicate deviations from the Contract Documents. Do not reproduce Contract Documents or copy standard information as the basis for shop drawings. Standard information prepared without specific reference to the project is not considered shop drawings. Reproductions of the Contract Documents will be immediately rejected for resubmittal.
- B. Shop drawings include fabrication and installation drawings, setting diagrams, schedules, patterns, templates, and similar drawings. Include the following information:
  - 1. Dimensions.
  - 2. Identification of products and materials included.
  - 3. Compliance with specified standards.
  - 4. Notation of coordination requirements.
  - 5. Notation of dimensions established by field measurement.
- C. Sheet Size: Except for templates, patterns, and similar full-size drawings, submit shop drawings on sheets at least 8-1/2" x 11", but no larger than 24" x 36".
- D. Final Submittal: Submit one set of sepias and two blue- or black-line prints; submit six prints where required for maintenance manuals.

## 1.6 PRODUCT DATA

Collect product data into a single submittal for each element of construction or system. Product data includes printed information such as manufacturer's installation instructions, catalog cuts, standard color charts, roughing-in diagrams and templates, standard wiring diagrams, and performance curves. Where product data must be specially prepared because standard printed data is not suitable for use, submit as shop drawings.

- A. Manufacturers printed recommendation.
- B. Compliance with recognized testing agency standards.

- C. Application of testing agency labels and seals.
- D. Notation of dimensions verified by field measurement.
- E. Notation of coordination requirements.
- F. Mill certificates.

#### 1.7 ENGINEERS ACTION

- A. Except for submittals for record, information of similar purposes where action and return is required or requested, the Engineer will review each submittal, mark to indicate action taken, and return promptly.
- B. Compliance with specified characteristics is the Contractors responsibility. Submittal will be rejected for non-compliance of required characteristics.
- C. Action Stamp: The Engineer will stamp each submittal with a uniform, self-explanatory action stamp. The stamp will be appropriately marked to indicate the action taken.
- D. Submittals not returned within 21 days of receipt by the Engineer will be considered approved as submitted by the Contractor.

### **2. PRODUCTS**

(Not Used)

### **3. EXECUTION**

(Not Used)

### **4. MEASUREMENT & PAYMENT**

(Not Used)

**END OF SECTION**

**SECTION 01700**  
**CONTRACT CLOSEOUT**

**1. GENERAL**

1.1 SECTION INCLUDES

- A. Closeout Procedures
- B. Final Cleaning
- C. Adjusting

1.2 CLOSEOUT PROCEDURES

- A. Submit written certification that Contract Documents have been reviewed, Work has been inspected, and that Work is complete in accordance with Contract Documents and ready for Owner inspection.
- B. Provide submittals to Owner that are required by governing or other authorities.
- C. Submit final Application for Payment identifying total adjusted Contract Sum, previous payments, and sum remaining due.

1.3 FINAL CLEANING

- A. Execute final cleaning prior to final inspection.
- B. Clean equipment and fixtures to a sanitary condition.
- C. Clean debris from pull boxes, manholes, and drainage systems.
- D. Clean site; sweep paved areas, remove debris from site areas.
- E. Remove waste and surplus materials, rubbish, and construction facilities from the site.

1.4 ADJUSTING

- A. Maintain on site, one set of the following record documents; record actual revisions to the Work:
  - 1. Contract Drawings
  - 2. Specifications
  - 3. Addenda
  - 4. Change Orders and other Modifications to the Contract
  - 5. Reviewed shop drawings, product data, and samples
- B. Store Record Documents separate from documents used for construction.

- C. Record information concurrent with construction progress.
- D. Specifications: Legibly mark and record at each Product section description of actual Products installed, including the following:
  - 1. Manufacturer's name and product model and number.
  - 2. Product substitutions or alternates utilized.
  - 3. Changes made by Addenda and Modifications.
- E. Record Documents and Shop Drawings: Legibly mark each item to record actual construction including:
  - 1. Measured horizontal and vertical locations of underground utilities and appurtenances, referenced to permanent surface improvements.
  - 2. Measured locations of internal utilities and appurtenances concealed in construction, referenced to visible and accessible features of the Work.
  - 3. Field changes of dimension and detail.
  - 4. Details not on original Contract Drawings.
- F. Submit documents to Owner with claim for final Application for Payment.

**END OF SECTION**

**SECTION 021000**  
**SITE PREPARATION**

**1. GENERAL**

1.1 DESCRIPTION

- A. Work Included: Demolition, clearing and grubbing required for this work includes, but is not necessarily limited to:
1. Felling of trees including removal of stumps, roots and other debris protruding through ground surface.
  2. Removing shrubs, grass, weeds and other vegetation.
  3. Removing improvements or obstructions that interfere with new construction.
  4. Constructing temporary barriers around trees designated to remain.
  5. Disconnecting and removing existing utility lines on the site except those designated to remain.
  6. Removal of all debris.
- B. Related Work Described Elsewhere:
1. Earthwork: Section 02200.
- C. Definitions: The term "Demolition, Clearing and Grubbing", as used herein, includes the removal of all existing objects (except for those designated to remain) down to the existing ground level (below grade if required to execute properly the new work), plus such other work as is described in this Section of the Specifications.

1.2 JOB CONDITIONS

- A. Dust Control:
1. Use necessary means to prevent spread of dust during performance of work.
  2. Moisten surfaces as required to prevent dust from being a nuisance to the public, neighbors, and concurrent performance of other work on site.
- B. Disposal of Waste:
1. On site burning will not be permitted.
  2. Remove waste materials and unsuitable or excess topsoil from site and legally dispose of it.

C. Protection:

1. Protect existing objects designated to remain.
2. In event of damage, repair or replace at no additional cost to Owner.

**2. PRODUCTS**

NONE

**3. EXECUTION**

3.1 PREPARATION

A. Site Inspection:

1. Prior to start of work, inspect entire site and all objects designated to be removed or preserved.
2. Locate existing utility lines and determine requirements for disconnecting and capping.
3. Locate existing active utility lines traversing site and determine requirements for protection.

B. Clarification:

1. The drawings do not purport to show all objects existing on site.
2. Verify with architect all objects to be removed or preserved before commencing work.

3.2 CLEARING AND GRUBBING

A. Felling of Trees:

1. Protect roots and branches of trees designated to remain.
2. Remove only trees and shrubs within construction area unless otherwise indicated or directed.
3. Completely remove stumps, roots and other debris protruding through ground surface.
4. Carefully and cleanly cut roots and branches of trees indicated to be left standing, where such roots and branches obstruct new construction.

B. Grubbing:

1. Remove all surface rocks, stumps, roots and other vegetation within limits of construction.
2. Do not leave any roots greater than 3 inches in diameter in the ground.

### 3.3 STRIPPING TOPSOIL

- A. Strip to whatever depths encountered in such a manner to prevent intermingling with underlying subsoil or other objectionable material.
- B. Remove heavy growths of grass from areas before stripping.
- C. Where trees are indicated to be left standing, stop topsoil stripping a sufficient distance from trees to prevent damage to main root system.
- D. Stock pile topsoil where directed.
- E. Construct storage piles to freely drain surface water.
- F. Cover storage piles if required to prevent windblown dust.

**END OF SECTION**

**SECTION 021020**  
**SITE CLEARING AND STRIPPING**

**1. DESCRIPTION**

This specification shall govern all work necessary for clearing, grubbing and stripping of objectionable matter as required to complete the project, and shall include removing and disposing of trees, stumps, brush, roots, vegetation, rubbish and other objectionable matter from the project site.

**2. CONSTRUCTION METHODS**

The site shall be cleared of all trees, stumps, brush, roots, vegetation, rubbish and other objectionable matter as indicated on drawings and/or as directed by the Engineer. Tree stumps and roots shall be grubbed to a minimum depth of 2 feet below natural ground. Areas that underlie compacted backfill shall be stripped of all vegetation, humus and other objectionable matter encountered within the top six (6) inches of the soil. All material removed from the site under this operation shall become the Contractor's responsibility. The material shall be disposed of either at a disposal site indicated on the drawings or at a site obtained by the Contractor.

**3. MEASUREMENT AND PAYMENT**

Payment shall be full compensation for all labor, equipment, tools and incidentals necessary for the work prescribed in this specification and payment will be part of the project lump sum bid.

**END OF SECTION**



**SECTION 021040**  
**SITE GRADING**

**1. DESCRIPTION**

This specification shall govern all work necessary for backfill and grading of the site to complete the project.

**2. CONSTRUCTION METHODS**

Prior to site grading, the site shall be cleared of vegetation and debris. Unless specified otherwise on drawings, the existing surface shall be loosened by scarifying or plowing to a depth of not less than 6 inches. The loosened material shall be re-compacted with fill.

Fill shall be uniform as to material, density, and moisture content. Fill shall be free of large clods, large rocks, organic matter, and other objectionable material. No fill that is placed by dumping in a pile or windrow shall be incorporated into a layer in that position; all such piles and windrows shall be moved by blading or similar method. All fill shall be placed in layers approximately parallel to the finish grade and in layers not in excess of 6 inches of uncompacted depth, unless indicated otherwise on drawings.

The fill shall be compacted to a density which approximates that of natural ground unless indicated otherwise on drawings.

The Engineer may order proof rolling to test the uniformity of compaction. All irregularities, depressions, and soft spots which develop shall be corrected by the Contractor.

Excess material from excavation, which is not incorporated into the site as fill, shall become property of the Contractor and disposed of away from the job site, unless indicated otherwise on the drawings.

**END OF SECTION**

**SECTION 021080**  
**REMOVING OLD STRUCTURES**

**1. DESCRIPTION**

This specification shall provide for the removal and disposal of old structures or portions of old structures, as noted on the plans, and shall include all excavation and backfilling necessary to complete the removal. The work shall be done in accordance with the provisions of these specifications.

**2. METHOD OF REMOVAL**

Culverts or Sewers. Pipe shall be removed by careful excavation of all dirt on top and the sides in such manner that the pipe will not be damaged. Removal of sewer appurtenances shall be included for removal with the pipe. Those pipes which are deemed unsatisfactory for reuse by the Engineer may be removed in any manner the Contractor may select.

Concrete Structures. Unwanted concrete structures or concrete portions of structures shall be removed to the lines and dimensions shown on the plans, and these materials shall be disposed of as shown on the plans or as directed by the Engineer. Any portion of the existing structure outside of the limits designated for removal which is damaged by the Contractor's operations shall be restored to its original condition at the Contractor's entire expense. Explosives shall not be used in the removal of portions of the existing structure unless approved by the Engineer, in writing.

Portions of the old structure shall be removed to the lines and dimensions shown on the plans, and these materials shall be disposed of as shown on the plans or as directed by the Engineer. Any portion of the existing structure, outside of the limits designated for removal, damaged during the operations of the Contractor, shall be restored to its original condition at the Contractor's entire expense. Explosives shall not be used in the removal of portions of the existing structure unless approved by the Engineer, in writing.

Concrete portions of structures below the permanent ground line, which will not interfere in any manner with the proposed construction, may be left in place, but removal shall be carried at least five (5) feet below the permanent ground line and neatly squared off. Reinforcement shall be cut off close to the concrete. Backfill in one-foot lifts and compact to a minimum of 95% Standard Proctor density.

Steel Structures. Steel structures or steel portions of structures shall be dismantled in sections as determined by the Engineer. The sections shall be stored if the members are to be salvaged and reused. Rivets and bolts connecting steel railing members, steel beams of beam spans and steel stringers of truss spans, shall be removed by butting the heads with a "cold cut" and punching or drilling from the hole, or by such other method that will not injure the members for re-use and will meet the approval of the Engineer. The removal of rivets and bolts from connections of truss members, bracing members, and other similar members in the structure will not be required unless specifically called for on the plans or special provisions, and the Contractor shall have the option of dismantling these members by flame-cutting the members immediately adjacent to the connections. Flame-cutting will not be permitted, however, when the plans or special provisions call for the structure unit to be salvaged in such manner as to permit re-erection. In such case, all members shall be carefully match marked with paint in accordance with diagrams furnished by the Engineer prior to dismantling, and all rivets and bolts shall be removed from the connections in the manner specified in the first portion of this paragraph.

Timber Structures. Timber structures or timber portions of structures to be reused shall be removed in such manner as to damage the timber for further use as little as possible. All bolts and nails shall be

removed from such lumber as deemed salvable by the Engineer.

Unless otherwise specified on the plans, timber piles shall be either pulled or cut off at the point not less than two (2) feet below ground line, with the choice between these two methods resting with the Contractor, unless otherwise specified.

Brick or Stone Structures. Unwanted brick or stone structures or stone portions of structures shall be removed. Portions of such structures below the permanent ground line, which will not in any manner interfere with the proposed construction, may be left in place, but removal shall be carried at least five (5) feet below the permanent ground line and neatly squared off. Backfill in one-foot lifts and compact to a minimum of 95% Standard Proctor density.

Salvage. All material such as pipe, timbers, railings, etc., which the Engineer deems as salvable for reuse, and all salvaged structural steel, shall be delivered to a designated storage area.

Materials, other than structural steel, which are not deemed salvable by the Engineer, shall become the property of the Contractor and shall be removed to suitable disposal sites off of the right-of-way arranged for by the Contractor, or otherwise disposed of in a manner satisfactory to the Engineer.

Where temporary structures are necessary for a detour adjacent to the present structure, the Contractor will be permitted to use the material in the old structure for the detour structure, but he shall dismantle and stack or dispose of the material as required above as soon as the new structure is opened for traffic.

Backfill. All excavations made in connection with this specification and all openings below the natural ground line caused by the removal of old structures or portions thereof shall be backfilled to the level of the original ground line, unless otherwise provided on the plans.

That portion of the backfill which will support any portion of the roadbed or embankment shall be placed in layers of the same depth as those required for placing embankment. Material in each layer shall be wetted uniformly, if required, and shall be compacted to a minimum of 95% Standard Proctor density. In places inaccessible to blading and rolling equipment, mechanical or hand tamps or rammers shall be used to obtain the required compaction.

That portion of the backfill which will not support any portion of the roadbed or embankment shall be placed as directed by the Engineer in such manner and to such state of compaction as will preclude objectionable amount of settlement.

### **3. MEASUREMENT AND PAYMENT**

This project is a lump sum bid. The work governed by this specification shall not be measured for pay, but shall be subsidiary to the project.

**END OF SECTION**

**SECTION 021100**  
**SITE CLEARING AND STRIPPING**

**1. GENERAL**

1.1 DESCRIPTION

- A. This specification shall govern all work necessary for clearing, grubbing and stripping of objectionable matter as required to complete the project and shall include removing and disposing of vegetation, rubbish and other objectionable matter from the project site.

**2. PRODUCTS**

NONE

**3. EXECUTION**

3.1 CONSTRUCTION METHODS

- A. The site shall be cleared of all vegetation and other objectionable matter as indicated on the drawings and/or as directed by the Engineer.
- B. Areas which underlie compacted backfill shall be stripped of all vegetation, humus and other objectionable matter encountered within the top 3" of the soil.
- C. All material removed from the site under this operation shall become the Contractor's responsibility.
- D. The material shall be disposed of at a disposal site obtained by the Contractor.

**END OF SECTION**

**SECTION 022000**  
**EARTHWORK**

**1. GENERAL**

1.1 DESCRIPTION

A. Work included but not limited to:

1. Parking Areas
2. Driveways
3. Concrete Walks
4. Concrete Structures

1.2 QUALITY ASSURANCE

A. Codes and References:

1. Comply with pertinent codes and regulations.
2. Comply with referenced portions of Texas Highway Department " Standard Specifications for Construction of Highways, Streets and Bridges" (Latest Edition). Payment items shall not apply.

1.3 PRODUCT HANDLING

A. Protection:

1. Protect subgrade materials before, during, and after installation.
2. Protect work and materials of other trades.

B. Replacement: In event of damage, make repairs and replacements as necessary at no additional cost to Owner.

**2. PRODUCTS**

2.1 SELECTION OF MATERIALS

A. Where shown on plans, selected materials shall be utilized in the formation of embankment or to improve the roadbed, in which case the work shall be performed in such manner and sequence that suitable materials may be selected, removed separately and deposited in the construction area within limits and at elevations required.

**3. EXECUTION**

3.1 CONSTRUCTION METHODS

A. Stripping and Excavation:

1. Strip the top 6" in all areas to underly compacted fill, curbs, base or pavement, by removing all humus, vegetation and other unsuitable materials. Remove existing trees, shrubs, fences, curb, gutter, sidewalk, drives, paving and structures within the graded area which interfere with new construction or finished grading.
  2. All suitable excavated materials shall be utilized, insofar as practicable, in constructing the required roadway sections or in uniformly widening embankments, flattening slopes, etc., as directed by the Engineer. Unsuitable roadway excavation and roadway excavation in excess of that needed for construction shall be known as "Waste" and shall become the property of the Contractor to be disposed of by him outside the limits of the right-of-way at a location suitable to the Engineer. "Unsuitable" material encountered below subgrade elevation in roadway cuts, when declared "Waste" by the Engineer, shall be replaced, as directed by the Engineer, with material from the roadway excavation or with other suitable material.
- B. Subgrade preparation:
1. That area shown on the plans for Parking Area, driveway, or concrete structure construction shall be scarified to a depth not less than 6" and compacted to 95% standard proctor density. Irregularities exceeding 1/2" in 16' shall be corrected. Soft areas found at any time shall be dug out, the material replaced with acceptable and compacted (esp. at utility trenches). The moisture density shall be maintained until the subgrade is covered by the specified material.
  2. That area shown on the plans for channel excavation and excavated slopes shall be finished in conformance with the lines and grades shown on the plans and no point on completed slopes shall vary from the designated slopes by more than 0.5 foot measured at right angles to the slope, unless otherwise specified. The tops of excavated slopes and the end of excavation shall be rounded as shown on the plans.
- C. Curb Backfill and Topsoil (Sidewalks, Parkways, Islands, etc.):
1. Compact earth behind curbs without delay after curb completion. The top 3" (where disturbed by construction or where unsatisfactory material is exposed by excavation) of finished earth grade shall be of loamy top soil of approved type and source where "Top Soil" is called for on the plans. No excessive clods are allowed.
- D. Matching Grades at Right -of-Way Line:
1. Finished grade at the property line shall be as shown on the plans. A reasonable amount of filling on private property may be required by the Engineer where the sidewalk grade is above the property elevation. Use suitable material from the excavation.
- E. Drainage:

1. During construction the roadbed and ditches shall be maintained in such condition as to insure proper drainage at all times and ditches and channels shall be constructed and maintained as to avoid damage to the roadway section. All slopes which, in the judgment of the Engineer, require variation shall be accurately shaped and care shall be taken that no material is loosened below the required slopes. All breakage and slides shall be removed and disposed of as directed.

**END OF SECTION**

**SECTION 022020**  
**EXCAVATION AND BACKFILL FOR UTILITIES AND SEWERS**

**1. DESCRIPTION**

This specification shall govern all excavation for storm or sanitary sewers, sewers structures appurtenances and connections, utility pipe or conduits, and for backfilling to the level of the original ground, all in conformity with the locations, lines, and grades shown on the plans or as established by the Engineer. This specification also governs for the necessary pumping or bailing and drainage, and all sheathing and bracing of trench walls, the furnishing and placing of cement stabilized backfill, and hauling and disposition of surplus materials, and the bridging of trenches and other provisions for traffic or access as provided herein.

**2. CONSTRUCTION**

**2.1 GENERAL**

Unless otherwise specified on the plans or permitted by the Engineer, all sewers, pipe, and conduit shall be constructed in open cut trenches with vertical sides. Trenches shall be sheathed and braced as necessary throughout the construction period. Sheathing and bracing shall be the responsibility of the Contractor (Section 022022).

Trenches shall have a maximum width of one foot beyond the horizontal projection of the outside surfaces of the pipe and parallel thereto on each side unless otherwise specified.

The Contractor shall not have more the 200 feet of open trench left behind the trenching operation and no more then 500 feet of ditch behind the ditching machine that is not compacted as required by the plans and specification. No trench or excavation shall remain open after working hours.

For all utility conduit and sewer pipe to be constructed in fill above natural ground, the embankment shall first be constructed to an elevation not less than one foot above the top of pipe or conduit after which excavation for the pipe or conduit shall be made.

If quicksand, muck, or similar unstable material, is encountered at the bottom of the excavation, the following procedure shall be used unless other methods are called for on the plans. If the unstable condition is a result of ground water, it shall be controlled by the Contractor, prior to additional excavation. After stable conditions have been achieved, unstable soil shall be removed or stabilized to a depth of 2 feet below the bottom of pipe for pipes 2 feet or more in height; and to a depth equal to the height of pipe, 6 inch minimum, for pipe less then 2 feet in height. Such excavation shall be carried at least 1 foot beyond the horizontal limits of the structure on all sides. All unstable soil so removed shall be replaced with suitable stable material, placed in uniform layers of suitable depth as directed by the Engineer, and each layer shall be wetted, if necessary, and compacted by mechanical tamping as required to provide a stable foundation for the structure. Soil which is considered to be of sufficient stability to sustain properly the adjacent sections of the roadway embankment will be considered a suitable foundation material for the culvert or sewer. For unstable trench conditions requiring outside forms, seals, sheathing, and bracing, or where ground water is encountered and additional excavation and backfill required shall be done at the contractor's expense.

**2.2 SHAPING OF TRENCH BOTTOM**



The trench bottom shall be undercut a minimum depth sufficient to accommodate the class of bedding indicated in the plans and specification.

### 2.3 DEWATERING TRENCH

Pipe or conduit shall not be constructed or laid in a trench in the presence of water. All water shall be removed from the trench sufficiently prior to the pipe or conduit planing operation insure a relatively dry (no standing water), firm bed. The trench shall be maintained in such dewatered condition until the trench has been backfilled to a height at lease one foot above the top of pipe. Removal of water may be accomplished by bailing, pumping, or by a well-points installation as conditions warrant. Removal of well points shall be at rate of 1/3 per 24 hours (every third well-point).

### 2.4 EXCAVATION IN STREETS

Excavation in streets, together with the maintenance of traffic where specified, and the restoration of the pavement riding surface shall be in accordance with plan detail or as required by other applicable specification.

### 2.5 REMOVING OLD STRUCTURES

When old masonry structures or foundations are encountered in the excavation, such obstructions shall be removed for the full width of the trench and to a depth of 1-foot below the bottom of the trench. When old inlets or manholes are encountered and no plan provision is made for adjustment or connection to the new sewer, such manholes and inlets shall be removed completely to a depth 1-foot below the bottom of the trench. In each instance, the bottom to the trench shall be restored to grade by backfilling and compacting by the methods provided hereinafter for backfill. Where the trench cuts through storm or sanitary sewers which are known to be abandoned, these sewers shall be cut flush with sides of the trench and blocked with a concrete plug in a manner satisfactory to the Engineer.

### 2.6 PROTECTION OF UTILITIES

The Contractor shall conduct his work such that a reasonable minimum of disturbance to existing utilities will result. Particular care shall be exercised to avoid the cutting or breakage of water and gas line. Such lines, if broken, shall be restored promptly by the Contractor. When active sanitary sewer lines are cut in the trenching operations, temporary flumes shall be provided across the trench, while open, and the lines shall be restored when the backfilling has progressed to the original bedding lines of the sewer so cut.

The Contractor shall inform utility Owners sufficiently in advance of the Contractor's operations to enable such utility Owners to reroute, provide temporary detours, or to make other adjustments to utility lines in order that the Contractor may proceed with his work with a minimum of delay and concerned in effecting any utility adjustments necessary and shall not hold the Owner liable for any expense due to delay or additional work because of conflicts.

### 2.7 EXCESS EXCAVATED MATERIAL

All materials from excavation not required for backfilling the trench shall be removed, by the Contractor,

from the job site promptly following the completion of work involved.

## 2.8 BACKFILL

### A. Backfill Procedure Around Pipe

All trenches and excavation shall be backfilled as soon as is practical after the pipes or conduits are properly laid. In addition to the specified pipe bedding material, the backfill around the pipe as applicable, shall be backfilled to the base with cement stabilized sand containing a minimum of 2 sacks of standard Type I Portland cement per cubic yard of sand. The backfill shall be deposited in the trench simultaneously on both sides of the pipe for the full width of the trench, in layers not to exceed six (6) inches (loose measurement), wetted if required to obtain proper compaction, and thoroughly compacted by mechanical tampers to a density comparable to the adjacent undisturbed soil, so that a thoroughly compacted material shall be in place between the external wall of the pipe and the undisturbed sides of the trench:

### B. Backfill Over One Foot Above Pipe

The backfill for that portion of trench over (1) foot above the pipe or conduit shall be selected excavated material free of hard lumps, rock fragments, or other debris, placed in layers not more than 6 inches in depth (loose measurement), wetted if required and thoroughly compacted by use of mechanical tampers to the natural bank density and not less than 95% Std. Proctor. Flooding of backfill is not allowed. Jetting of backfill will be allowed in sandy soils and in soils otherwise approved by the Engineer. Regardless of backfill method, no lift shall exceed one foot and density shall not be less than 95% Std. Proctor. The last four feet of backfill shall be placed in layers of not more than 6 inches and compacted by use of mechanical tampers to the natural back density and not less than 95% Std. Proctor.

A period of not less than twenty-four (24) hours shall lapse between the time of jetting and the placing of the top four (4) feet of backfill.

## **3. MEASUREMENT AND PAYMENT**

This project is a lump sum bid. The work governed by this specification shall not be measured for pay but shall be subsidiary to the project.

**END OF SECTION**

**SECTION 022022**  
**TRENCH SAFETY FOR EXCAVATIONS**

**1. DESCRIPTION**

This specification shall govern all work for providing for worker safety in excavations and trenching operations required to complete the project.

**2. REQUIREMENTS**

Worker Safety in excavations and trenches shall be provided by the Contractor in accordance with Occupational Safety and Health Administration (OSHA) Standards, 29 CFR Part 1926 Subpart P - Excavations.

It is the sole responsibility of the Contractor, and not the Owner or Engineer, to determine and monitor the specific applicability of a safety system to the field conditions to be encountered on the job site during the project.

The Contractor shall indemnify and hold harmless the Owner and Engineer from all damages and cost that may result from failure of methods or equipment used by the Contractor to provide for worker safety.

Trenches as used herein, shall apply to any excavation into which structures, utilities, or sewers are placed regardless of depth.

Trench Safety Plan as used herein shall apply to all methods and materials used to provide for worker safety in excavation and trenching operations required during the project.

**3. MEASUREMENT AND PAYMENT**

This project is a lump sum bid. The work governed by this specification shall not be measured for pay, but shall be subsidiary to the project.

**END OF SECTION**

**SECTION 022040**  
**STREET EXCAVATION**

**1. DESCRIPTION**

This specification shall govern all work for Street Excavation required to complete the project.

**2. CONSTRUCTION METHODS**

(A) Stripping and Excavation

Strip the top 11 inches in all areas to underlay compacted fill, curbs, base or pavement, by removing all humus, vegetation and other unsuitable materials. Unless otherwise noted, remove existing trees, shrubs, fences, curb, gutter, sidewalk, drives, paving, pipe and structures within the graded area which interfere with new construction of finished grading.

All suitable excavated materials shall be utilized, insofar as practicable, in constructing the required roadway sections or in uniformly widening embankments, flattening slopes, etc., as directed by the Engineer, provided that the material has a plasticity index (P.I.) of 35 or less. Unwanted roadway excavation and roadway excavation in excess of that needed for construction shall become the property of the Contractor to be disposed of by him outside the limits of the right-of-way at a location suitable to the Engineer. "Unsuitable" material encountered below subgrade elevation in roadway cuts, when declared unwanted by the Engineer, shall be replaced as directed by the Engineer with material from the roadway excavation or with other suitable material.

Maintain moisture and density until covered by the subbase or base course. Remove soft or wet areas found at any time, replace with suitable material, and recompact (especially utility trenches).

(B) Subgrade Preparation

That area shown on the plans for street construction shall be cut to grade, scarified to a depth not less than 6 inches or as otherwise indicated on the drawings and compacted to 95% Standard Proctor density. Irregularities exceeding ½ inch in 16 feet shall be corrected. Soft areas found at anytime shall be removed, replaced with acceptable material and compacted (especially at utility trenches). The correct moisture density relationship shall be maintained.

(C) Curb Backfill and Topsoil (Sidewalks, Parkways, Islands, etc.)

Fill and compact areas behind curbs and adjacent to sidewalks and driveways without delay after completion of concrete work. The top 6 inches (where disturbed by construction or where unsatisfactory material is exposed by excavation) of finish earth grade shall be clean excavated material or topsoil capable of supporting a good growth of grass when fertilized and seeded or sodded. It shall be free of concrete, asphalt, shell, caliche, debris and any other material that detracts from its appearance or hampers the growth of grass.

(D) Matching Grades at Right-of-Way Line

Finish grade at the property line shall be as shown on the plans. The Engineer may require a reasonable amount of filling on private property where the sidewalk grade is above the property elevation. Use suitable material from the excavation. Unless otherwise directed, cuts at right-of-way lines shall be made at a slope of three horizontal to one vertical (3:1).

(E) Drainage

During construction, the roadbed and ditches shall be maintained in such condition as to insure proper drainage at all times, and ditches and channels shall be so constructed and maintained as to avoid damage to the roadway section.

All slopes which, in the judgment of the Engineer, require variation, shall be accurately shaped, and care shall be taken that no material is loosened below the required slopes. All breakage and slides shall be removed and disposed of as directed.

**3. SELECTION OF MATERIALS**

Where shown on the plans, selected materials shall be utilized to improve the roadbed, in which case the work shall be performed in such manner and sequence that suitable materials may be selected, removed separately, and deposited in the roadway within limits and at elevations required. Material used for roadway embankment shall have a plasticity index (P.I.) of 35 or less.

**4. GEOGRID**

Where shown on the plans, geogrid shall be placed on top of the compacted subgrade layer to strengthen the roadbed. Geogrid shall be "TENSAR BX-1200", or approved equivalent. Overlap edges of geogrid in accordance with the manufacturer's recommendations, but not less than 12 inches.

**5. MEASUREMENT AND PAYMENT**

This project is a lump sum bid. The work governed by this specification shall not be measured for pay, but shall be subsidiary to the project.

**END OF SECTION**

**SECTION 022060**  
**CHANNEL EXCAVATION**

**1. DESCRIPTION**

This specification shall govern all work for Channel Excavation required to complete the project.

**2. CONSTRUCTION METHODS**

Trees, stumps, brush and other vegetation shall be removed and hauled away. Excavated slopes shall be finished in conformance with the lines and grades established by the Engineer. When completed, the average plane of slopes shall conform to the slopes indicated on the drawings, and no point on completed slopes shall vary from the designated slopes by more than 0.5 foot measured at right angles to the slope. In no case shall any portion of the slope encroach on the roadbed. The tops of excavated slopes and the end of excavation shall be rounded. The bottom and sides of the ditch or channel shall be undercut a minimum depth sufficient to accommodate topsoil for seeding, sodding, or slope protection, as indicated on the drawings.

All suitable materials removed from the excavation shall be used, insofar as practicable, in the formation of embankments in accordance with City Standard Specification Section 022080 "Embankment", or shall be otherwise utilized or satisfactorily disposed of as indicated on drawings, or as directed, and the completed work shall conform to the established alignment, grades and cross sections. During construction, the channel shall be kept drained, insofar as practicable, and the work shall be prosecuted in a neat workmanlike manner.

Unsuitable channel excavation in excess of that needed for construction shall become the property of the Contractor and removed from the site and properly disposed of.

**3. SELECTION OF MATERIALS**

Where shown on the drawings, selected materials shall be utilized in the formation of embankment or to improve the roadbed, provided that the material meets the requirements specified in City Standard Specification Sections 022040 "Street Excavation" and 022100 "Select Material", in which case the work shall be performed in such manner and sequence that suitable materials may be selected, removed separately and deposited in the roadway within the limits and at elevations required. Concrete for lining channels, where specified on the drawings, shall be Class "A" in accordance with City Standard Specification Section 030020 "Portland Cement Concrete".

**4. MEASUREMENT AND PAYMENT**

Unless otherwise specified on the Bid Form, channel excavation shall be measured in its original position and the volume computed in cubic yards by the method of average end areas, or by linear foot of channel or drainage ditch, as specified. Channel excavation shall include, but not be limited to, clearing and removal of vegetation, excavation, de-watering, embankment, compaction, hauling, and disposal. Channel excavation shall not include undercutting to accommodate topsoil, sod, or slope protection. Payment shall be at the bid price for the unit of measurement specified and shall be full compensation for furnishing all labor, materials, tools, equipment and incidentals necessary to complete the work.

**END OF SECTION**

**SECTION 022100**  
**SELECT MATERIAL**

**1. DESCRIPTION**

This specification shall govern the use of select material to be used to treat designated sections of roadways, embankments, trenches, etc. Select material shall be a mixture of sand and clay or other suitable granular material. The material shall be free from vegetation, debris and clay lumps. That portion of the select material passing a 40-mesh sieve shall have a liquid limit of 45 maximum, a plasticity index range from 6 to 15, and a calculated linear shrinkage of 8.5 maximum.

**2. CONSTRUCTION METHODS**

Select material shall be mixed uniformly and placed in layers not to exceed 6" loose depth. The material shall be brought to approximately optimum moisture content and compacted to 95% Standard Proctor Density. Each layer shall be complete before the succeeding layer is placed.

The finished surface of the select material shall conform to the grade and section shown on the plans.

**END OF SECTION**

**SECTION 022420**  
**SILT FENCE**

**1. DESCRIPTION**

This specification shall govern all work necessary for providing and installing silt fences required to complete the project.

**2. MATERIAL REQUIREMENTS**

A. Geotextile shall meet the requirements for temporary silt fence per AASHTO m288.

B. Fence Reinforcement Materials:

Silt fence reinforcement shall be one of the following systems.

Type 1: Self-Supported Fence - This system consists of fence posts, spaced no more than 8-1/2 feet apart, and geotextile without net reinforcement. Fence posts shall be a minimum of 42 inches long, embedded at least 1 foot, and constructed of either wood or steel. Soft wood posts shall be at least 3 inches in diameter or nominal 2 x 4 in. and essentially straight. Hardwood posts shall be a minimum of 1.5 x 1.5 in. Fabric attachment may be by staples or locking plastic ties at least every 6 inches, or by sewn vertical pockets. Steel posts shall be T or L shaped with a minimum weight of 1.3 pounds per foot. Attachment shall be by pockets or by plastic ties if the posts have suitable projections.

Type 2: Net-Reinforced Fence - This system consists of fence posts, spaced no more than 8-1/2 feet apart, and geotextile with an attached reinforcing net. Fence posts shall meet the requirements of Self-Supported Fence. Net reinforcement shall be galvanized welded wire mesh of at least 12.5-gauge wire with maximum opening size of 4 inches square. The fabric shall be attached to the top of the net at least every 2 feet, or as otherwise specified.

Type 3: Triangular Filter Dike - This system consists of a rigid wire mesh, at least 6-gauge, formed into an equilateral triangle cross-sectional shape with sides measuring 18 inches, wrapped with geotextile silt fence fabric. The fabric shall be continuously wrapped around the dike, with a skirt extending at least 12 inches from its upslope corner.

C. Packaging Requirements: Prior to installation, the fabric shall be protected from damage due to ultraviolet light and moisture by either wrappers or inside storage.

D. Certification and Identification: Each lot or shipment shall be accompanied by a certification of conformance to this specification. The shipment must be identified by a ticket or labels securely affixed to the fabric rolls. This ticket or label must list the following information:

- a. Name of manufacturer or supplier
- b. Brand name and style



- c. Manufacturer's lot number or control number
- d. Roll size (length & width)
- e. Chemical composition

**END OF SECTION**

**SECTION 025205**  
**PAVEMENT REPAIR, CURB, GUTTER, SIDEWALK AND DRIVEWAY REPLACEMENT**

**1. DESCRIPTION**

This specification shall govern the removal and replacing of all types of pavements and surfacing required to complete the project.

**2. MATERIALS**

Unless otherwise specified on the plans, materials and proportions used along with this specification shall conform to the respective following specifications:

Section 025220 "Flexible Base - Caliche"  
Section 025223 "Crushed Limestone Flexible Base"  
Section 025424 "Hot Mix Asphaltic Concrete Pavement"  
Section 025610 "Concrete Curb and Gutter"  
Section 025612 "Concrete Sidewalks and Driveways"  
Section 030020 "Portland Cement Concrete"  
Section 032000 "Reinforcing Steel"  
Section 038000 "Concrete Structures"

**3. METHOD OF CUTTING**

The outline of the trench shall be marked upon the surface of the pavement to be cut, and all cuts into the pavement shall be saw-cut as nearly vertical as it is possible to make them. All unwanted materials removed shall be disposed of by the Contractor and shall not be used as backfill material.

**4. BACKFILL OF TRENCH**

Excavation and backfilling of trench shall be in accordance with the construction drawings.

**5. REPLACING STREET PAVEMENT**

All pavements, driveways, sidewalks, and curbs and gutters which are cut shall be replaced in a workmanlike manner, with like or better materials or per pavement repair details on the drawings.

**6. REPLACING DRIVEWAY PAVEMENT**

On all concrete driveway pavements, the replacement shall consist of a reinforced Class "A" concrete slab with a minimum thickness of six (6) inches. The type of finish for the replaced section shall be the same as that appearing on the old pavement. Reinforcement shall be #4 bars at 12 inches each way. Any other type shall be replaced with like or better replacement.

**7. REPLACING SIDEWALKS**

On all sidewalk pavements, the replacement shall consist of a reinforced Class "A" concrete slab (minimum) four (4) inches thick. The type of finish for the replaced section shall be the same as that appearing on the

old sidewalk. Replacement shall, in general, be to original joint or score marks. Reinforcement shall be #4 bars at 12 inches each way on centers, located at mid-depth in the slab 4" x 4" - W2.9 x W2.9 welded wire fabric. Shell or asphalt sidewalks shall be replaced with caliche or asphalt surface.

#### **8. REPLACING CURB AND GUTTER**

On all curb and gutter, the replacement shall consist of a section conforming in all details to the original section or the Owner's Standard if required by the Engineer. Cuts through the curb shall be replaced with Class "A" concrete. Preserve original steel and reinforce all new curbs with three #4 bars. Adjust grades for positive drainage.

#### **9. REPAIRING STREET SHOULDERS AND UNIMPROVED STREETS**

On streets or roads without curb and gutter where a shoulder is disturbed, it shall be restored to like or better condition. The shoulder surface shall be rolled to an acceptably stable condition.

#### **10. MEASUREMENT AND PAYMENT**

This project is a lump sum bid. The work governed by this specification shall not be measured for pay, but shall be subsidiary to the project.

**END OF SECTION**

**SECTION 025208**  
**Soil - Cement Base (S-17)**

**1. DESCRIPTION**

This specification shall govern all work required for Soil-Cement Base necessary to complete the project.

**2. MATERIALS**

2.1 SOIL

Soil shall consist of approved material free from vegetation or other objectionable matter encountered in the existing roadbed and other acceptance material used in preparation of the roadbed in accordance with this specification.

2.2 PORTLAND CEMENT

Cement shall be either Type I or II Portland cement. The Contractor, at his option, may use bulk cement, provided the apparatus for handling, weighing and spreading the cement is approved by the Engineer in writing. Cement weighing equipment shall be as specified below.

2.3 WATER

Water shall be free from substances deleterious to the hardening of the cement treatment and shall be approved by the Engineer.

**3. EQUIPMENT**

Equipment necessary for the proper construction of the work shall be on the project, in first-class working condition, and be approved by the Engineer, both as to type and condition, prior to the start of construction operations. The Contractor shall at all times provide sufficient equipment to enable continuous execution of the work and its completion in the required number of working days.

Portland cement treatment for materials in place may be constructed with any machine or combination of machines and auxiliary equipment that will produce results as outlined in this specification.

Mixing may be accomplished by: (1) a multiple-pass traveling mixing plant or (2) a single-pass traveling mixing plant.

The equipment provided by the Contractor shall be operated by experienced and capable workmen and shall be that necessary to provide a cement treatment meeting the requirements herein specified.

**4. CONSTRUCTION METHODS**

4.1 GENERAL

It is the primary requirement of this specification to secure a completed course of treated material containing a uniform Portland cement mixture free from loose or segregated areas, of uniform density and moisture content, well bound for its full depth and with a smooth surface

suitable for placing subsequent courses. It shall be the responsibility of the contractor to regulate the sequence of his work to process a sufficient quantity of material to provide full depth as shown on plans, to use the proper amount of Portland cement, maintain the work and rework the courses as necessary to meet the above requirements.

Cement treatment shall not be mixed or placed when the air temperature is below 40°F and is falling, but may be mixed or placed when the air temperature is above 35°F and is rising, the temperature being taken in the shade and away from artificial heat and with the further provision that cement treatment shall be mixed or placed only when weather conditions, in the opinion of the Engineer, are suitable.

#### 4.2 PREPERATION OF ROADBED

Before other construction operations are begun, the roadbed shall be graded and shaped as required to construct the Portland cement treatment for material in place in conformance with the lines, grades, thickness and typical cross section shown on the plans. Unsuitable soil or material shall be removed and replaced with acceptable soil.

The sub grade shall be firm and able to support without displacing the construction equipment and the compaction hereinafter specified. Soft or yielding sub grade shall be corrected and made stable before construction proceeds.

#### 4.3 PULVERIZATION

The soil shall be so pulverized that, at the completion of moist-mixing, when all non-slaking aggregate retained on the No. 2 sieve are removed, the remaining material shall meet the following requirements when tested from the roadway in the roadway condition by

Test Method Tex-101-E (Part III).

	Percent
Minimum passing 1-inch sieve .....	100
Minimum passing No. 4 sieve .....	80

Old bituminous wearing surface shall be pulverized so that 100 percent will pass the 2-inch sieve.

#### 4.4 APPLICATION OF CEMENT (ROAD MIX).

Portland cement shall be spread uniformly on the soil at the rate specified on the plans or approved by the Engineer. If a bulk cement spreader is used, it shall be positioned by string lines or other approved method during spreading to insure a uniform distribution of cement.

Cement shall be applied only to such an area that all the operations can be continuous and completed in daylight within 6 hours of such application.

The percentage of moisture in the soil, at the time of cement application, shall not exceed the quantity that will permit uniform and intimate mixture of soil and cement during dry mixing operations, and it shall not exceed the specified optimum moisture content for the soil cement mixture.

No equipment, except that used in spreading and mixing, will be allowed to pass over the freshly spread cement until it is mixed with the soil.

#### 4.5 MIXING AND PROCESSING.

Unless otherwise shown on the plans, either method (a) or (b) below may be used at the option of the Contractor.

(a) Multiple-Pass Traveling Mixing Plant. After the cement has been applied, it shall be dry-mixed with the soil. Mixing shall continue until the cement has been sufficiently blended with the soil to prevent the formation of cement balls when water is applied. Any mixture of soil and cement that has not been compacted and finished shall not remain undisturbed for more than 30 minutes.

Immediately after the dry mixing of soil and cement is complete, water as necessary shall be uniformly applied and incorporated into the mixture. Pressurized equipment and water supply provided shall be adequate to insure continuous application of the required amount of water to sections being processed within 3 hours of application of the cement. Proper care shall be exercised to insure proper moisture distribution at all times. After the last increment of water has been added, mixing shall continue until a thorough and uniform mix has been obtained.

(b) Single-Pass Traveling Mixing Plant. After the cement has been applied it shall be sufficiently dry-mixed with the soil to prevent the formation of cement balls when water is applied. Un-pulverized soil lumps in the soil cement mixture immediately behind the mixer will not be allowed. Should this condition prevail, the Contractor shall "pre-wet" the raw soil as necessary to correct this condition. The water shall be provided with means for visibly and accurately gauging the water application. The water shall be applied uniformly through a pressure spray bar.

After cement is spread, mixing operations shall proceed as follows:

The mixer shall in one continuous operation mix the air-dry soil and cement full depth, and the required moisture uniformly, thoroughly moist-mix the soil, cement and water, spread the completed soil cement mixture evenly over the machine processed width of the sub grade and leave it in a loose condition ready for immediate compaction. The soil and cement mixture shall not remain undisturbed, after mixing and before compacting, for more than 30 minutes.

#### 4.6 COMPACTION AND FINISHING.

The material shall be compacted to not less than 98% standard proctor unless otherwise shown on the plans. At the start of compaction, the percentage of moisture in the mixture and in unpulverized soil lumps, based on over-dry weights, shall not be below or more than two percentage points above the specified optimum moisture content and shall be less than that quantity which will cause the soil cement mixture to become unstable during compaction and finishing. When the un-compacted soil cement mixture is wetted by rain so that the average moisture content exceeds the tolerance given at the time of final compaction, the entire section shall be reconstructed in accordance with this specification at the sole expense of the Contractor.

Prior to the beginning of compaction, the mixture shall be in a loose condition for its full depth. The loose mixture then shall be uniformly compacted to the specified density within 2 hours.

After the soil and cement mixture, excepting the top mulch, is compacted, water shall be uniformly applied as needed and thoroughly mixed in with a spike tooth harrow or equal. The surface shall then be reshaped to its required lines, grades and cross section and then lightly scarified to loosen any imprint left by the compacting or shaping equipment.

The resulting surface shall be thoroughly rolled with a pneumatic tire roller and "clipped", "skinned" or "tight bladed" by a power grader to a depth necessary to remove all loosened soil and cement from the section. The surface shall then be thoroughly compacted with the pneumatic roller, adding small increments of moisture as needed during rolling. If plus No. 4 aggregate is present in the mixture; one complete coverage of the section with the flat wheel roller shall be made immediately after the "clipping" operation. When directed by the Engineer, surface finishing methods may be varied from this procedure provided a dense, uniform surface, free of surface compaction planes, is produced. The moisture content of the surface material must be maintained at its specified optimum during all finishing operations. Surface compaction, rolling, blading and finishing shall proceed in such a manner as to produce a smooth, closely knit surface, free of cracks, ridges or loose material conforming to the crown, grade and line shown on the plans, within 3 hours of initial mixing.

## **5. CURING**

### **5.1 PROTECTION AND COVER.**

After the cement treated course has been finished as specified herein, the surface shall be protected against rapid drying by either of the following curing methods for a period shown on plans but in no case less than 3 days or until the surface or subsequent courses are placed:

(a) Maintain in a thorough and continuously moist condition by sprinkling.

(b) Apply a 2-inch layer of earth on the completed course and maintain in a moist condition.

(c) Apply a single course surface treatment. Unless shown otherwise on the plans, the asphalt shall be HFRS-2, in accordance with "Asphalts, Oils and Emulsions" in the Texas Department of Highways and Public Transportation Standard Specifications. The single course surface treatment shall be placed in accordance with Section 025418 "Surface Treatment, except HFRS-2 asphalt shall be used in lieu of AC-5 and the asphalt shall be applied at .5 gallons per square yard. 5.2 Surface. The surface or other base courses may be applied on the finished base as soon after completion as operations will permit.

## **6. CONSTRUCTION JOINTS**

At the end of each day's construction, a straight transverse construction joint shall be formed by cutting back into the total width of completed work to form a true vertical face free of loose and shattered material. Cement treatment for large, wide areas shall be built in a series of parallel lanes of convenient length and width meeting and approval of the Engineer.

## **7. TRAFFIC**

Completed sections of cement treated material in place may be opened immediately to local traffic and to construction equipment after application of the single course surface treatment and to all traffic after

the final surface course, provided the cement treated course has hardened sufficiently to prevent marring or distorting the surface by equipment or traffic.

#### **8. MAINTENANCE**

The Contractor shall be required, within the limits of his contract, to maintain the cement treated course in good condition until all work has been completed and accepted. Maintenance shall include immediate repairs of any defects that may occur. This work shall be done by the Contractor at his own expense and repeated as often as may be necessary to keep the area continuously intact. Faulty work shall be replaced for the full depth of treatment. It is the intent of this specification that the Contractor Constructs the plan depth of cement treatment in one homogeneous mass.

#### **9. MEASUREMENT AND PAYMENT**

Unless indicated otherwise in the Proposal, Soil-Cement Base shall be measured by the square yard at each application rate specified. Measurement shall include, but not be limited to, furnishing, storing and applying cement; preparation of roadbed, application of cement, mixing, watering, compacting, finishing, curing and maintenance; and all other work as specified.

**END OF SECTION**



**SECTION 025210**  
**LIME STABILIZATION**

**1. DESCRIPTION**

This specification shall consist of treating the subgrade, sub base or base by the pulverizing, addition of lime, mixing and compacting the mixed material to the required density. This specification applies to natural ground, embankment, existing pavement structure, or proposed base and shall be constructed as specified herein and in conformity with the typical sections, lines and grades as shown on the plans or as established by the Engineer.

**2. MATERIALS**

- (1) The lime shall be a commercially produced "Hydrated Lime" in accordance with AASHTO M216 or Type A in accordance with TEX Item 264. The specifications apply specifically to the normal hydrate of lime made from "high-calcium" type limestone. Hydrated lime for stabilization purposes shall be applied as a slurry.
- (2) Lime to be used for the treated subgrade, existing sub base, existing base or proposed base is determined by preliminary tests and shall be applied at a rate indicated on the plans.

**3. EQUIPMENT**

The machinery, tools and equipment necessary for proper prosecution of the work shall be on the project and approved by the Engineer prior to the beginning of construction operations.

All machinery, tools and equipment used shall be maintained in a satisfactory and workmanlike manner.

Hydrated lime shall be stored and handled in closed weatherproof containers until immediately before distribution on the road. If storage bins are used, they shall be completely enclosed. Hydrated lime in bags shall be stored in weatherproof buildings with adequate protection from ground dampness. If lime is furnished in trucks, each truck shall have the weight of lime certified on public scales.

If lime is furnished in bags, each bag shall bear the manufacturer's certified weight. Bags varying more than 5 percent from that weight may be rejected and the average weight of bags in any shipment, as shown by weighing 50 bags taken at random, shall not be less than the manufacturer's certified weight.

**4. CONSTRUCTION METHODS**

General – It is the primary requirement of this specification to secure a completed course of treated material containing a uniform lime mixture, free from loose or segregated areas, of uniform density and moisture content, well bound for its full depth and with a smooth surface suitable for placing subsequent courses. It shall be the responsibility of the Contractor to regulate the sequence of his work, to use the proper amount of lime, maintain the work and rework the courses as necessary to meet the above requirements.

Application – Lime shall be spread only on that area where the first mixing operations can be completed during the same working day.

Unless otherwise shown on drawings, lime shall be applied at a rate in pounds of dry-hydrated lime per square yards, in the form of a slurry. Application rate may be varied by the engineer, if conditions warrant.

Certification of lime quantity and quality shall be provided as required to monitor the application. Certification should be in the form of weight tickets which indicate the actual weight of dry hydrated lime,  $CA(OH)_2$ .

The application and mixing of lime with the material shall be accomplished by the method hereinafter described.

The lime shall be mixed with water in trucks with approved distributors and applied as a thin water suspension or slurry.

Mixing – The mixing procedure shall be as hereinafter described.

(a) **First Mixing:** The material and lime shall be thoroughly mixed by approved road mixers or other approved equipment, and the mixing continued until, in the opinion of the Engineer, a homogeneous, friable mixture of material and lime is obtained, free from all clods or lumps. Materials containing plastic clays or other material which will not readily mix with lime shall be mixed as thoroughly as possible at the time of the lime application, brought to the proper moisture content and left to cure 1 to 4 days as directed by the Engineer. During the curing period, the material shall be kept moist as directed.

(b) **Final Mixing:** After the required curing time, the material shall be uniformly mixed by approved methods. If the soil binder-lime mixture contains clods, they shall be reduced in size by raking, blading, disking, harrowing, scarifying or the use of other approved pulverization methods so that, when all nonslaking aggregates retained on the No. 4 sieve are removed, the remainder of the material shall meet the following requirements when tested dry by laboratory sieves:

	<u>Percent</u>
Minimum Passing 1" Sieve.....	100
Minimum Passing No. 4 Sieve.....	85

Old bituminous wearing surface shall be pulverized so that 100% will pass a 2" sieve.

During the interval of time between applications and mixing, hydrated lime that has been exposed to the open air for a period of 6 hours or more or to excessive loss due to washing or blowing will not be accepted for payment.

Compaction – Compaction of the mixture shall begin immediately after final mixing and in no case later than 3 calendar days after final mixing, unless approval is obtained from the Engineer. The material shall be aerated or sprinkled as necessary to provide the optimum moisture. Compaction shall begin at the bottom and shall continue until the entire depth of mixture is uniformly compacted as hereinafter specified.

If the total thickness of the material to be treated cannot be mixed in one operation, the previously

mixed material shall be bladed to a windrow just beyond the area to be treated and the next layer mixed with lime as previously specified. The first layer of the material shall be compacted such that the treated material will not be mixed with the underlying material.

The course shall be sprinkled as required to maintain moisture content on the wet side of optimum and compacted to the extent necessary to provide the specified density. Unless shown otherwise on the drawings, all lime treated subgrades, sub bases, and bases are not in direct contact with surface or binder course shall be compacted to a minimum of 98% Standard Proctor (AASHTO T99).

In addition to the requirements specified for density, the full depth of the material shown on the plans shall be compacted to the extent necessary to remain firm and stable under construction equipment. After each section is completed, tests as necessary will be made by the Engineer. If the material fails to meet the density requirements, it shall be reworked as necessary to meet these requirements.

Rework, when required to meet pulverization requirements or density, shall include the addition of lime, about 10% to 15% of the initial application rate or as deemed necessary by the Engineer. A new optimum density will be obtained.

Throughout this entire operation, the shape of the course shall be maintained by blading, and the surface, upon completion, shall be smooth and in conformity with the typical section shown on the plans and to the established lines and grades.

## **5. MEASUREMENT & PAYMENT**

Unless indicated otherwise in the Proposal, Lime for stabilization of bases, sub bases and subgrade shall be measured by the square yards.

Pulverizing, mixing, watering grading, compacting, working material etc., shall not be measured for pay but shall be subsidiary to other work.

**END OF SECTION**

**SECTION 025213**  
**ASPHALT STABILIZED BASE (S-26)**

**1. DESCRIPTION**

"Asphalt Stabilized Base" shall consist of base courses, subbase courses, or foundation courses to be composed of a compacted mixture of mineral aggregate and asphaltic material mixed hot in a mixing plant.

**2. MATERIALS**

(a) Asphalt: Asphalt for the mixture shall be of the type and grade as determined by the Engineer and shall meet the requirements of Section 025404 entitled "Asphalts, Oils, and Emulsions".

(b) Tack Coat: The asphaltic material for tack coat shall meet the requirements for emulsified asphalt EA-11M or shall be a cutback asphalt made by combining 50 to 70 percent by volume of the asphaltic material specified for the paving mixture with 30 to 50 percent by volume of gasoline or kerosene. Asphaltic materials shall meet the requirements of Section 025404 entitled "Asphalts, Oils, and Emulsions".

(c) Mineral Aggregate: The material shall consist of durable coarse aggregate particles, crushed or uncrushed, with approved binding materials and screened as necessary to meet the following gradation requirements.

<u>Square Sieve Size</u>	<u>Percent Retained by Weight</u>
2" .....	0
1-1/4" .....	0-2
#4 .....	45-75
#40 .....	60-85

The mineral aggregate shall also meet the following physical requirements.

Wet Ball Mill .....	50 max.
Plasticity Index (P.I.) .....	15 max.
Liquid Limit (L.L.) .....	55 max.
Sand equivalent value shall not be less than 40	

Testing of mineral aggregates shall be in accordance with the appropriate Texas Highway Department standard laboratory test procedures.

**3. MIXTURE**

The mixture shall be uniform and shall contain 6.0 percent by weight of asphaltic material. Samples of the material, when tested, shall not vary from the designated asphalt content by more than 0.5 percent dry weight (based on total mixture).

#### **4. EQUIPMENT**

Equipment used in mixing, spreading, finishing, and compacting the material shall conform to the requirements of Section 025424 entitled "Hot Mix Asphaltic Concrete Pavement", Subsection 4 entitled "Equipment".

#### **5. STOCKPILING, STORAGE, PROPORTIONING, AND MIXING**

These requirements shall be as specified in Section 025424, Subsection 5.

#### **6. CONSTRUCTION METHODS**

Construction methods shall conform to the requirements of Section 025424, Subsection 6.

#### **7. MEASUREMENT AND PAYMENT**

Asphalt stabilized base shall be measured by the square yard. Payment shall be made at the contract unit bid price, per square yard, and shall constitute full compensation for all labor, material, equipment, and incidentals necessary to complete the asphalt stabilized base course in accordance with this specification and to the lines, grades, thickness, and typical section shown on the plans.

**END OF SECTION**

**SECTION 025215**  
**CEMENT STABILIZED CALICHE BASE (S-47)**

**1. DESCRIPTION**

This specification shall govern all work required to furnish and place all cement stabilized caliche base for this project.

**2. MATERIALS**

1. Raw Caliche Base: Sample for testing shall be taken prior to mixing with cement.

Material shall be well graded and meet the following requirements when tested in accordance with AASHTO T27:

<u>Sieve Size</u>	<u>% Passing</u>
2"	100
1"	75-95
3/8"	40-75
No. 4	30-60
No. 10	20-45
No. 40	15-30
No. 200	5-20

The material passing the No. 40 sieve, soil binder, shall meet the following requirements:

- a. Liquid limit shall not exceed 45 when tested in accordance with AASHTO T89.
- b. Plasticity index shall not exceed 20 when tested in accordance with AASHTO T90.
- c. Linear shrinkage shall not exceed 10 when tested in accordance with THD TEX-107-E. (Note: The linear shrinkage shall be calculated from the volumetric shrinkage at the liquid limit.)

Coarse aggregate shall have an abrasion loss of not more than 55% when subjected to the Los Angeles Abrasion Test, AASHTO T96.

2. Water: Water shall be free of substances deteriorative to curing of the treated base and shall be approved by the City Engineer.

3. Cement: Cement shall be Type 1 Portland Cement in accordance with ASTM C150. Cement shall be applied in the amount necessary to produce the desired compressive strength in the finished and cured base, depending on raw caliche used. In most cases, acceptable raw caliche will require cement in the following amount:

Percent by Weight = 7  
lb. per sq. yd. for 1" depth = 5.57

In the absence of more precise data, the above amount has been used to estimate the quantity of Portland Cement in the proposal. The Engineer may increase or decrease the amount of cement at his discretion, after representative samples of the caliche have been tested.

4. Asphalt Seal: Asphalt Seal shall be MC70 in accordance with 025404.

### **3. EQUIPMENT**

Equipment necessary for the proper construction of the work shall be on the project, in first-class working condition, and be approved by the Engineer, both as to type and condition, prior to the start of construction operations. The Contractor shall at all times provide sufficient equipment to enable continuous prosecution of the work and its completion in the required number of working days.

Portland Cement treatment for materials in place may be constructed with any machine or combination of machines and auxiliary equipment that will produce results as outlined in this specification.

Mixing may be accomplished by: (1) a multiple-pass traveling mixing plant or (2) a single-pass traveling mixing plant.

The equipment provided by the Contractor shall be operated by experienced and capable workmen and shall be that necessary to provide a cement treatment meeting the requirements herein specified.

### **4. CONSTRUCTION METHODS**

#### **4.1 GENERAL**

It is the primary requirement of this specification to secure a complete course of treated material containing a uniform Portland cement mixture free from laminations or segregated areas, of uniform density and moisture content, well bound for its full depth and with a smooth surface suitable for placing subsequent courses. It shall be the responsibility of the Contractor to regulate the sequence of his work to process a sufficient quantity of material to provide full depth as shown on plans, to use the proper amount of Portland cement, maintain the work and rework the courses as necessary to meet the above requirements.

Cement treatment shall not be mixed or placed when the air temperature is below 40E and is falling, but may be mixed or placed when the air temperature is above 35E F and is rising, the temperature being taken in the shade and away from artificial heat and with the further provisions that cement treatment shall be mixed or placed only when weather conditions, in the opinion of the Engineer, are suitable.

#### **4.2 TEST SECTION**

The Contractor shall be required to construct a "Test Section". The first section of cement treated base shall serve as a test section. Its length shall be between 300 and 500 linear feet, typically one block. Evaluation of the equipment and procedure will be done during this section. In case it is found that the work is not satisfactory with respect to the specification requirements, the Contractor shall revise his procedures and augment or replace equipment as necessary to assure work completed in accordance with the specifications. Additional test sections may be required as directed by the Engineer. Test sections not conforming to the requirements of the specifications shall be reconstructed.

#### 4.3 PLACING OF BASE MATERIAL

After approval of the previous course, base material shall be delivered on the road and placed in windows of uniform sections, then accurately bladed and shaped to required crown and grade to provide a base of compacted depth required by the plans.

#### 4.4 FINAL PREPARATION OF SECTION

On the day immediately preceding processing, water, as required, shall be added and uniformly mixed full depth with the base material. This operation shall precede cement spreading by at least 12 hours. The section shall then be accurately bladed and shaped to required grade and section.

#### 4.5 APPLICATION OF CEMENT

The specified quantity of Portland Cement required for the full depth of treatment shall be uniformly spread over the surface. Each pass of the cement spreader shall be positioned by either the curb line or a string line. Cement shall be applied only to such areas as can be completed as herein specified within the daylight hours of the same day. No equipment, except that used in spreading and mixing, will be allowed to pass over the freshly spread cement until it is mixed with the base material.

#### 4.6 MIXING AND PROCESSING:

Either method (a) or (b) below may be used at the option of the Contractor.

(a) Multiple-Pass Traveling Mixing Plant: After the cement has been applied, it shall be mixed with the base material. Mixing shall continue until the cement has been sufficiently blended with the base material to prevent the formation of cement balls when water is applied. Any mixture that has not been compacted and finished shall not remain undisturbed for more than 30 minutes.

Immediately after the mixing of base material and cement is completed, water, as necessary, shall be uniformly applied and incorporated into mixture. Proper care shall be exercised to insure proper moisture distribution at all times. After the last increment of water has been added, mixing shall continue until a thorough and uniform mix has been obtained.

(b) Single-Pass Traveling Mixing Plant: After the cement has been applied, it shall be sufficiently mixed with the base material to prevent the formation of cement balls when water is applied. Unpulverized soil lumps in mixture will not be allowed. Should this condition prevail, the Contractor shall "pre-wet" the raw base material as necessary to correct this condition.

The mixer shall be provided with means for visible and accurately gauging the water application. The water shall be applied uniformly through a pressure spray bar. After cement is spread, mixing operations shall proceed as follows:

The mixer shall, in one continuous operation, mix the base material and cement full depth, add the required moisture uniformly, thoroughly moist-mix the material, cement, and water, spread the completed mixture evenly over the machine processed width of the subgrade, and leave it in a loose condition ready for immediate compaction.



The mixture shall not remain undisturbed, after mixing and before compacting, for more than 30 minutes.

#### 4.7 COMPLETION AND FINISHING

The material shall be compacted to not less than 98 percent of the maximum dry density as determined by AASHTA T99 Method D. The moisture content of the mixture shall be within 3% of optimum on the wet side.

The surface, upon completion, shall be smooth and in conformity with typical sections and to the established lines and grades. Any deviation in excess of 1/4 inch in cross section and in a length of 16 feet measured longitudinally shall be corrected. All irregularity, depressions, or weak spots which develop shall be corrected by re-priming.

All sections of cement stabilized base shall be processed full width each day without longitudinal construction joints.

Any portion which has a density below that specified herein and which has not properly hardened after a suitable time interval shall be removed and replaced to meet this specification at the expense of the Contractor.

#### 4.8 ASPHALT SEAL

The compacted cement treated base course shall be protected against rapid drying by priming the surface in accordance with 025412. This curing seal shall be applied as soon as practicable, but not later than eight hours after the completion of final compaction. The surface shall be kept moist until the curing seal is applied. It shall be the responsibility of the Contractor to protect the primed surface until surface course is applied.

#### 4.9 TRAFFIC

The Contractor shall not be permitted to drive heavy equipment over completed portions, but pneumatic-tired equipment required for hauling cement, and water may be permitted after the surface has hardened sufficiently to prevent the equipment from marring the surface, provided protection and cover specified herein are not impaired. The cement stabilized base may be opened to local traffic as soon as the asphalt seal has been applied and sanded or cured as necessary to prevent it from being picked up by traffic. It may be opened to all traffic after 7 days. Surface course shall be applied prior to opening to through traffic.

#### 4.10 MAINTENANCE

The Contractor shall be required to maintain at his own expense the entire cement stabilized base within the limits of his contract in good condition satisfactory to the Engineer from the time he first starts work until all work shall have been completed.

Maintenance shall include immediate repairs of any defect that may occur after construction, which work shall be done by the Contractor at his own expense and repeated as often as necessary to keep the

area continuously intact. Repairs are to be made in a manner to insure restoration of a uniform surface of good quality cement stabilized base. Faulty work shall be replaced for the full depth of base. Any low area shall be remedied by replacing the material for the full depth of treatment, rather than adding a thin layer of base material to the completed work.

#### **5. MEASUREMENT AND PAYMENT**

Unless indicated otherwise in the Proposal, Cement Stabilized Base will be measured by the square yard, complete in place, for the thickness specified on the plans. Areas will be measured separately for the various thicknesses of Cement Stabilized Base. Portland Cement, actually incorporated in the completed work, will be measured by the ton.

**SECTION 025220**  
**FLEXIBLE BASE - CALICHE**

**1. GENERAL**

1.1 DESCRIPTION

- A. "Flexible Base - Caliche" shall consist of foundation course for surface course, for other base courses, or other purpose as shown on the plans or otherwise specified by the Engineer. It shall be constructed as herein specified in one or more courses in conformity with the typical sections shown on the plans and to the lines and grades established by the Engineer.

**2. PRODUCTS**

2.1 MATERIAL

- A. The material shall consist of argillaceous limestone, calcareous or calcareous clay particles, with or without stone, conglomerate, gravel or sand, and shall be free of vegetation. The material source shall be approved by the Engineer. All acceptable material shall be screened and the oversize shall be crushed and returned to the screened material in such a manner that a uniform product will be produced.

1. Gradation Limits (Before & After Compaction) Percent

Passing 2" Sieve.....	100
Passing 1" Sieve.....	75 - 95
Passing 3/8" Sieve.....	40 - 75
Passing No. 4 Sieve.....	30 - 60
Passing No. 10 Sieve.....	20 - 45
Passing No. 40 Sieve.....	15 - 30
Passing No. 200 Sieve.....	5 - 20

- 2. A representative sample of the material (raw caliche) shall be slaked for 24 hours and then the washed -40 material shall have:

Liquid Limit (L.L.).....	45 Max.
Plasticity Index (P.I.).....	16 Max.

- 3. A representative sample of the material shall be tested in accordance with ASTM C-131-81 for abrasion loss. The maximum loss shall not exceed 55%.

- 4. All "Flexible Base - Caliche" shall be stabilized with lime admix. The amount of lime required is dependent upon the P.I. of the -40 material from samples.

- B. If the P.I. is less than 9, the amount of lime required for stabilization shall be 1.5% by weight.

- C. If the P.I. is greater than 9, the amount of lime required for stabilization shall be that percent by weight necessary to lower the P.I. to 7 or less, as determined by laboratory tests. (Laboratory fees for this test shall be paid by the Contractor.)

- D. Lime slurry for admix shall be 3.3 lbs. minimum of CA(OH) per gallon of slurry.

### **3. EXECUTION**

#### **3.1 TESTING**

- A. The Engineer may accept recent tests as proof of compliance with the above material specifications. The Owner will engage a laboratory and pay for one test each gradation, L.L., P.I., before and after lime admixing if required, standard proctor, moisture-density relation, and necessary field densities. The Engineer may call for additional tests at any time. The cost of all retests, in case of failure to meet specifications, will be deducted from the Contractor's payment. The Owner will pay for proctor and soil constants and abrasion tests, with or without lime admix, at the rate of one test for each 1,500 square yards. If material changes and this ratio of tests increases, the Contractor shall pay the cost of additional tests required by the Engineer. The Engineer may waive testing and/or lime admix for small amounts for unimportant uses.

#### **3.2 CONSTRUCTION METHODS**

- A. Get approval of finished subgrade during dumping. The surface of the subgrade shall be finished true to line and grade as established and in conformity with the typical section shown on the plans. Grade tolerance shall be generally 1/2", and highs and lows must approximately balance.
- B. Caliche shall be delivered in approved vehicles and spread the same day if possible (no later than the next day).
- C. Piles and windrows shall be broken down to the bottom and all nests of coarse or loose material shall be corrected.
- D. Mix uniformly, prior to the addition of lime if required. Lime slurry admix shall be spread at rate required and shall be placed only on that area where mixing can be completed that day. Material shall be mixed with pulverizing type mixer, so designed for this specific purpose, until mixed to the satisfaction of the Engineer.
- E. Material shall be shaped and rolled after mixing and allowed to set at least 48 hours before compaction. Moisture content must be maintained in the material during the 48 hour period. Material shall be sprinkled or aerated to optimum moisture and compacted in layers (6" maximum loose) by approved power-drawn roller to uniform density, minimum 98% proctor (AASHTO T99-57, Method D). Use mechanical tamps in areas inaccessible to rollers.
- F. On completion of compaction, the surface shall be smooth and conform to lines, grades and sections shown on the plans. Areas with any deviation in excess of 1/4" in cross section and in lengths of 16' measured longitudinally shall be corrected by loosening, adding or removing material, reshaping and recompacting by sprinkling and rolling. The moisture content shall be  $\pm 3\%$  optimum moisture content.
- G. Moisture and density shall be maintained until the paving is complete.

**END OF SECTION**

**SECTION 025223**  
**FLEXIBLE BASE**

**1. DESCRIPTION**

This Specification shall govern all work for furnishing and placing Flexible Base required to complete the project.

**2. MATERIAL**

The material shall consist of crushed limestone produced from oversize quarried aggregate, sized by crushing and produced from a naturally occurring single source, meeting the requirements for Type 'A' material as specified in Texas Department of Transportation (TxDOT) Specification Item 247 "Flexible Base". Crushed gravel or uncrushed gravel shall not be acceptable. No blending of sources and/or additive materials will be allowed. The material shall be free of vegetation and shall be approved by the Engineer. All acceptable material shall be screened and the oversize shall be crushed and returned to the screened material in such a manner that a uniform product will be produced which meets all physical requirements for Grade 1-2 as specified in TxDOT Specification Item 247 "Flexible Base".

**3. TESTING**

The Owner will engage a laboratory and pay for one test each in the following categories: gradation, liquid limit, plasticity index, modified proctor, moisture-density relation, CBR, and necessary field densities. The Engineer may call for additional tests at any time. The cost of all retests, in case of failure to meet specifications, will be deducted from the Contractor's payment. The Owner will pay for proctor and soil constants and abrasion tests, at the rate of one test for each 1,500 square yards. If material changes and this ratio of one test increases, the Contractor shall pay the cost of additional tests required by the Engineer. The Engineer may waive testing and/or lime admix for small amounts for unimportant uses.

**4. CONSTRUCTION METHODS**

Prior to placement of flexible base, the surface of the previous course shall be finished true to line and grade as established, and in conformity with the typical section shown on the plans. Grade tolerance shall be generally 1/2 inch, and highs and lows must approximately balance.

Flexible base shall be delivered and spread the same day if possible (no later than the next day).

Base shall be mixed as required to produce a uniform mixture with water. Base shall be placed in uniform lifts not to exceed 6 inches and compacted to a minimum of 95 percent Modified Proctor density (ASTM D1557 or AASHTO T180) at a moisture content of not less than two (2) percent below optimum moisture nor more than 2 percent above optimum moisture.

The surface of the compacted base, after meeting moisture/density requirements, shall be primed in accordance with Standard Specification Section 025412 "Prime Coat".

On completion of compaction and priming, the surface shall be smooth and conform to lines, grades, and sections shown on the plans. Areas with any deviation in excess of 1/4 inch in cross-section and in lengths of 16 feet measured longitudinally shall be corrected by loosening, adding or removing material, reshaping, and recompacting by repriming and rolling.

Moisture and density shall be maintained until the paving is complete.

## **5. MEASUREMENT AND PAYMENT**

This project is a lump sum bid. The work governed by this specification shall not be measured for pay, but shall be subsidiary to the project.

**END OF SECTION**

**SECTION 025280**  
**CONCRETE CURBS AND GUTTERS**

**1. GENERAL**

1.1 DESCRIPTION

A. Related Work Described Elsewhere:

1. Asphaltic Concrete Pavement Section 02513
2. Concrete Reinforcement Section 03200
3. Normal Weight Concrete Section 03311

1.2 PRODUCT HANDLING

A. Protection:

1. Protect from damage until acceptance.
2. Exclude traffic for 14 days after placement.

B. Repair or replace broken or defective work.

1.3 CONTROL

A. Grade Control: Establish and maintain required lines and grades.

B. Traffic Control:

1. Maintain vehicular and pedestrian traffic as required for other construction activities.
2. Provide barricades, warning signs, and warning lights as required to control traffic, maintain safety and cause least interruption of work.

**2. PRODUCTS**

2.01 REINFORCEMENT

A. Comply with requirements of Section 03200.

2.02 CONCRETE

A. Comply with requirements of Section 03311.

2.03 FORMS

A. Steel or wood.

B. Straight and free of distortion and defects.



C. Radius Bends: Flexible spring steel or laminated boards.

D. Form Oil: Non-staining, clear, paraffin base.

## 2.4 FILLERS AND JOINTS

A. Expansion Joints: Premolded joint filler.

## **3. EXECUTION**

### 3.1 PREPARATION

A. Proof roll prepared sub-base to check for unstable areas requiring additional compaction.

B. Do not begin work until any discrepancies have been corrected.

### 3.2 INSTALLATION

A. Forms:

1. Set to required grades and lines.
2. Brace securely with wood or metal stakes.
3. Leave in place 24 hours after concrete placement.

B. Automatic Curb and Gutter Machine:

1. May be used at Contractor's option with Architect's approval.
2. Machine placement must produce curbs and gutters equal in all respects to formed concrete.
3. If results are not acceptable, remove and replace with formed concrete.

C. Joints:

1. General:

- a. Expansion, weakened-plane (Contraction) and construction joints: true to line, face perpendicular to surface of curb and gutter.
- b. Transverse Joints: at right angles to curb center line.
- c. Where joining existing pavement: align transverse joints with existing joints unless otherwise shown.

2. Expansion Joints:

- a. Locate at 30'-0" o.c. unless otherwise shown.

- b. Provide where curb abuts manholes, inlets, structures, walks or other fixed objects.
- c. Extend joint fillers full width and depth of joints.
- d. Not less than 1/2 inch or more than 1 inch below finished surface.
- e. Conform top edge to top profile of curb and gutter.

3. Weakened-Plane (Contraction Joints):

- a. Locate at 10'-0" o.c. unless otherwise shown.
- b. Embed strips of metal or sealed wood to form joints.
- c. Set strips in plastic concrete and remove after concrete has hardened.

4. Construction Joints:

- a. Place at end of all pours.
- b. Locate where placement stops for more than 1/2 hour, except where pours terminate at expansion joints.

### 3.3 FINISHING

A. Broom Finish:

- 1. Draw fine-hair broom across concrete surface perpendicular to line of traffic.
- 2. Repeat if required to provide texture suitable to Architect.

### 3.4 CLEANING

- A. When construction traffic is permitted, remove surface stains and spillage of materials as they occur.
- B. Sweep and wash free of stains, discoloration, dirt and other foreign material just prior to final inspection.

**END OF SECTION**

**SECTION 025410**  
**ASPHALT CRACK SEALING (S-36)**

**1. DESCRIPTION**

This item establishes the requirements for the performance of all work necessary for asphalt crack sealing.

**2. MATERIALS**

1) Asphalt Material - The asphalt material for crack sealing shall be RC-2 with one percent (1%) anti-stripping agent added as directed by the Engineers. The temperature range for the material shall be 125 - 200 F (51.7 - 93.3 C) when applied.

2) Aggregate for Blotting - "Buckshot Aggregate" or Sand shall be clean and dry and conform to the following gradation:

<u>Sieve Size</u>	<u>Percent Passing</u>
No. 4 (4.75 mm)	90 - 100
No. 10 (2.00 mm)	0 – 15

**3. CONSTRUCTION METHOD**

1) Cleaning - All cracks shall be thoroughly cleaned of undesirable material by the use of an 85 to 90 CFM (2.4 to 2.6 cubic meter per minute) (Minimum Size) air compressor with hoses and attachments.

2) Filling Procedure - After all cracks have been thoroughly cleaned, the operator of the hand hose shall apply hot liquid asphalt and then the blotting aggregate to the cleaned cracks. Application of the liquid asphalt and blotting aggregate shall be done in such a manner to avoid an accumulation of excess material on areas adjacent to the cracks. Excess material on the cracked areas shall be removed by means of a U - shaped squeegee.

**4. MEASUREMENT & PAYMENT**

Unless indicated otherwise in the Proposal, ASPHALT CRACK SEALING shall be measured by the square yard in place to the limits shown on the plans and as directed by the Engineer. The work shall include all labor, equipment and materials necessary to complete the work.

**END OF SECTION**

**SECTION 025424**  
**HOT MIX ASPHALTIC CONCRETE PAVEMENT (Class A) TYPE D**

**1. DESCRIPTION**

This specification shall govern all work required for furnishing and laying Hot Mix Asphalt Concrete (HMAC) surface, binder and base courses required to complete the project.

**2. MATERIALS**

2.1. Aggregate. The aggregate shall consist of a blend of course aggregate, fine aggregate and, if required, a mineral filler.

2.1.1. Coarse Aggregate shall consist of that fraction of aggregate retained on a No. 10 sieve and shall consist of crushed furnace slag, crushed stone, or crushed gravel.

Deleterious material in course aggregate shall not exceed 2% per TxDOT Test Method TEX-217-F.

Course aggregate shall be crushed such that a minimum of 85% of the particles have more than one crushed face, unless noted otherwise on the plans.

Los Angeles abrasion losses for course aggregate shall not exceed 40% by weight for the surface course and 45% for the binder and base courses per TxDOT Test Method TEX-410-A.

Polish Value not less than 30 for aggregate used in the surface course per TxDOT Test Method TEX-438-A.

2.1.2. Fine Aggregate is defined as the fraction passing a No. 10 sieve and shall be of uniform quality.

Fine aggregate shall consist of screenings of material that pass the Los Angeles abrasion requirements in paragraph 2.1.1 above. Screenings shall be blended with a maximum of 15% uncrushed aggregate or field sand for Type D mixes, or a maximum of 10% uncrushed aggregate or field sand for Type A, B, and C mixes.

Grading of fine aggregate shall be as follows:

<u>Sieve Size</u>	<u>Percent Passing by Weight</u>
No. 10	100
No. 200	0-15

2.1.3 Filler shall consist of dry stone dust, Portland cement, hydrated lime, or other mineral dust approved by the Engineer.

Grading of filler shall be as follows:

<u>Sieve Size</u>	<u>Minimum Percent Passing by Weight</u>
No. 30	95
No. 80	75
No. 200	55

2.2. Reclaimed Asphalt Pavement (RAP). Reclaimed asphalt pavement may be incorporated into the hot mix asphalt concrete furnished for the project, provided that the mixture is designed per the TxDOT Methods and meets the applicable provisions of said TxDOT Item 340 and this specification.

2.3. Asphalt. Asphalt Material shall be in accordance with Standard Specification Section 025404 "Asphalt, Oils and Emulsions" and AASHTO.

2.3.1. Paving Mixture:

<u>APPLICATION</u>	<u>ASPHALT GRADE</u>
Residential or low volume	PG 64-22
Collector	
Surface Course	PG 70-22
Binder Course	PG 64-22
Arterial	
Surface Course	PG 76-22
Binder Course	PG 64-22
Base Courses	PG 64-22

2.3.2. Tack Coat shall consist of an emulsion, SS-1 diluted with equal volume of water and applied at a rate ranging from 0.05 to 0.15 gallon per square yard.

### **3. PAVING MIXTURE**

3.1. Mix Design. The mixture shall be designed in accordance with TxDOT Bulletin C-14 and TxDOT Test Method TEX-204-F to conform to the requirements of this specification. The Contractor shall furnish the mix design for the job-mix to be used for the project, unless shown otherwise on the drawings. The mix design shall be submitted prior to placement of the mixture.

The design procedures are intended to result at a job-mix with properties in compliance with these specifications, and when properly placed the job-mix will be durable and stable. The sieve analysis of the job-mix shall be within the range of the Master Gradation and Tolerances specified herein. The job-mix shall meet the density and stability requirements as specified and shall be included with the mix design as submitted per above.

If the specific gravity of any of the types of aggregates differs by more than 0.3, use volume method.

Plot sieve analysis of job-mix; percent passing versus size on four-cycle semi-log paper or other appropriate type paper. Show tolerance limits and Limits of Master Gradation.

3.2. Master Gradation of Aggregate. The aggregate for the type of mix specified shall be within the following tabulated limits per TxDOT Test Method TEX-200-F (Dry Sieve Analysis):

Sieve Size	Type			
	A Course Base	B Fine Base	C Course Surface	D Fine Surface
1-1/2"	100			
1-1/4"	95-100			
1"		100		
7/8"	70-90	95-100	100	
5/8"		75-95	95-100	
1/2"	50-70			100
3/8"		60-80	70-85	85-100
1/4"				
No. 4	30-50	40-60	43-63	50-70
No. 10	20-34	27-40	30-40	32-42
No. 40	5-20	10-25	10-25	11-26
No. 80	2-12	3-13	3-13	4-14
No. 200	1-6*	1-6*	1-6*	1-6*
VMA % minimum	11	12	13	14

\* 2-8 when TxDOT Test Method Tex-200-F, Part II (Washed Sieve Analysis) is used.

3.3. Tolerances. The mixture delivered to the job site shall not vary from the job-mix by more than the tolerances specified below. The gradation of the produced mix shall not fall outside the Master Grading Limits, with the following exceptions: for Type B material coarser than 3/8" and for Type D material coarser than #4. Variations from job-mix shall not exceed the following limits, except as noted above:

<u>Item:</u>	<u>Tolerances Percent by Weight or Volume</u>
1" to No. 10	Plus or Minus 5.0
No. 40 to No. 200	Plus or Minus 3.0
Asphalt Weight	Plus or Minus 0.5
Asphalt Volume	Plus or Minus 1.2

3.4. Mix Properties. The mixture shall have a minimum Hveem stability of 40 for Type A, B, and C mixes, and 35 for Type D mixes per TxDOT Test Method TEX-208-F at an optimum density of 96% (plus or minus 1.5) of theoretical maximum density per TxDOT Test Methods TEX-227-F and TEX-207-F.

3.5. Sampling and Testing of Raw Materials. The Contractor shall sample materials as necessary to produce a mix in compliance with these specifications.

#### **4. EQUIPMENT**

4.1. Mixing Plants. Mixing plants shall be either the weigh batching type or the drum mix type. Both types shall be equipped with satisfactory conveyors, power units, aggregate handling equipment, aggregate screens and bins (weigh batch only), and pollution control devices as required.

4.2. Truck Scales. A set of truck scales, if needed for measurement, shall be placed at a location approved by the Engineer.

4.3. Asphalt Material Heating Equipment. Asphalt material heating equipment shall be adequate to heat the required amount of material to the desired temperature. Agitation with steam or air will not be permitted. The heating apparatus shall be equipped with a recording thermometer with a 24-hour continuous chart that will record the temperature of the asphalt at the highest temperature.

4.4. Surge-Storage System. A surge-storage system may be used provided that the mixture coming out of the bins is of equal quality to that coming out of the mixer. The system shall be equipped with a gob hopper, rotating chute or other devices designed to minimize segregation of the asphalt mixture.

4.5. Laydown Machine. The laydown machine shall be capable of producing a surface that will meet the requirements of the typical cross section, of adequate power to propel the delivery vehicles, and produce the surface tolerances herein required. It shall be wide enough to lay a 28-foot street (back-to-back of curbs) in a maximum of two passes.

4.6. Rollers. All rollers shall be self-propelled and of any type capable of obtaining the required density. Rollers shall be in satisfactory operating condition and free from fuel, hydraulic fluid, or any other fluid leaks.

#### **5. STORAGE, PROPORTIONING AND MIXING**

5.1. Storage and Heating of Asphalt Materials. Asphalt cement shall not be heated to a temperature in excess of that recommended by the producer. Asphalt storage equipment shall be maintained in a clean condition and operated in such a manner that there will be no contamination with foreign matter.

5.2. Feeding and Drying of Aggregates. The feeding of various sizes of aggregate to the dryer shall be done in such a manner that a uniform and constant flow of materials in the required proportions will be maintained. In no case shall the aggregate be introduced into the mixing unit at a temperature more than 350 degrees F.

5.3. Proportioning. All materials shall be handled and proportioned in a manner that yield an acceptable mixture as herein specified and as defined by the job-mix.

5.4. Mixing.

5.4.1. Weigh Batch Plant. In charging the weigh box and in charging the pugmill from the weigh box, such methods or devices shall be used as necessary to minimize segregation of the mixture.

5.4.2. Drum Mix Plant. The amount of aggregate and asphalt cement entering the mixer and the rate of travel through the mixer shall be coordinated so that a uniform mixture of the desired gradation and asphalt content will be produced.

5.4.3. The mixture produced from each type of plant shall not vary from the job-mix by more than the tolerances and restrictions herein specified. The mixture when discharged from the plant shall have a moisture content not greater than one percent by weight of total mix when determined by TxDOT Test Method TEX-212-F.

5.4.4. The mixture produced from each type of plant shall be at a temperature between 250 and 325 degrees F. After a target mixing temperature has been established, the mixture when discharged from the mixer shall not vary from this temperature by more than 25 degrees F.

## **6. CONSTRUCTION METHODS**

6.1. Construction Conditions. For mat thicknesses greater than 1.5 inches, the asphalt material may be placed with a laydown machine when the air temperature is 40 degrees F and rising but not when the air temperature is 50 degrees F and falling. In addition, mat thickness less than and including 1.5 inches shall not be placed when the temperature of the surface on which the mat is placed is below 50 degrees F.

6.2. Prime Coat. If a prime coat is required, it shall be applied and paid for as a separate item conforming to the requirements of Standard Specification Section 025412 "Prime Coat", except the application temperature shall be as provided above. The tack coat or asphaltic concrete shall not be applied on a previously primed flexible base until the primed base has completely cured to the satisfaction of the Engineer.



6.3. Tack Coat. Before the asphalt mixture is laid, the surface upon which the tack coat is to be placed shall be thoroughly cleaned to the satisfaction of the Engineer. The surface shall be given a uniform application of tack coat using materials and rates herein specified and/or as shown on the plans. The tack coat shall be rolled with a pneumatic tire roller as necessary.

6.4. Transporting Asphalt Concrete. The asphalt mixture shall be hauled to the job site in tight vehicles previously cleaned of all foreign matter. In cool weather or for long hauls, canvas covers and insulated truck beds may be necessary. The inside of the bed may be given a light coating of lime water or other suitable release agent necessary to prevent from adhering. Diesel oil is not allowed.

6.5. Placing. The asphalt mixture shall be spread on the approved prepared surface with a laydown machine or other approved equipment in such a manner that when properly compacted, the finished surface will be smooth and of uniform density, and meet the requirements of the typical cross section as shown on the plans.

6.5.1. Flush Structures. Adjacent to flush curbs, gutters, liners and structures, the surface shall be finished uniformly high so that when compacted, it will be slightly above the edge of the curb and flush structure.

6.5.2. Construction joints of successive courses of asphaltic material shall be offset at least six inches. Construction joints on surface courses shall coincide with lane lines, or as directed by the Engineer.

6.6. Compacting. The asphalt mixture shall be compacted thoroughly and uniformly with the necessary rollers to obtain the required density and surface tolerances herein described and any requirements as shown on the plans. Regardless of the method of compaction control followed, all rolling shall be completed before the mixture temperature drops below 175 degrees F.

6.7. In-Place Density. In-place density control is required for all mixtures except for thin, irregular level-up courses. Material should be compacted to between 96% and 92% of maximum theoretical density or between 4% and 8% air voids. Average density shall be greater than 92% and no individual determination shall be lower than 90%. Testing shall be in accordance with TxDOT Test Methods TEX-207-F and TEX-227-F.

Pavement specimens, which shall be either cores or sections of the compacted mixture, will be tested as required to determine the percent air voids. Other methods, such as nuclear determination of in-place density, which correlate satisfactorily with actual project specimens may be used when approved by the Engineer.

6.8. Thickness. The total compacted average thickness of the combined HMAC courses shall not be less than the amount specified on the drawings. No more than 10% of the measured thickness(es) shall be more than 1/4 inch less than the plan thickness(es). If so, the quantity for pay shall be decreased as deemed appropriate by the Engineer.

6.9. Surface Smoothness Criteria and Tests. The pavement surface after compaction, shall be smooth and true to the established lines, grade and cross-section. The surface shall be tested by

the Owner with the Mays Roughness Meter. The Mays Roughness Value for each 600-foot section shall not exceed ninety inches per mile per traffic lane.

Localized defects (obvious settlements, humps, ridges, etc.) shall be tested with a ten-foot straightedge placed parallel to the roadway centerline. The maximum deviation shall not exceed 1/8 inch in ten feet. Areas not meeting this criterion shall be corrected to the satisfaction of the Engineer.

6.10. Opening to Traffic. The pavement shall be opened to traffic when directed by the Engineer. The Contractor's attention is directed to the fact that all construction traffic allowed on pavement open to the public will be subject to the State laws governing traffic on highways.

If the surface ravel, it will be the Contractor's responsibility to correct this condition at his expense.

## **7. MEASUREMENT AND PAYMENT**

This project is a lump sum bid. The work governed by this specification shall not be measured for pay, but shall be subsidiary to the project.

**END OF SECTION**

**SECTION 025608**  
**INLETS**

**1. DESCRIPTION**

This specification shall govern for the construction of inlets complete in place and the materials used therein, including the installation, and the furnishing of frames, grates, rings and covers.

**2. TYPES**

The various types of inlets are designated on the drawings by letters or by numbers indicating the particular design of each. Each type shall be constructed in accordance with the details shown on the drawings and to the depth required by the profiles and schedules given.

**3. MATERIALS**

- (1) Concrete. Concrete for curb inlets shall be Class "A" concrete conforming to the requirements of Specification Section 038000 "Concrete Structures", and City Standard Specification Section 030020 "Portland Cement Concrete", except as otherwise provided on the drawings. Concrete for grate inlets, drop inlets and post inlets shall be Class "C" concrete in accordance with City Standard Specification Section 030020 "Portland Cement Concrete".
- (2) Mortar. Mortar shall be composed of one part Portland cement and two parts clean, sharp mortar sand suitably graded for the purpose by conforming in other respects to the provisions of Specification Section 030020 "Portland Cement Concrete" for fine aggregate. Hydrated lime or lime putty may be added to the mix but in no case shall it exceed 10 percent by weight of the total dry mix.
- (3) Reinforcing Steel. Reinforcing Steel shall conform to the requirements of Specification Section 032020 "Reinforcing Steel".
- (4) Concrete Blocks. Concrete blocks, when shown on the drawings, shall conform to the requirements of ASTM C 139.
- (5) Frames, Grates, Rings and Covers. Frames, grates, rings and covers shall conform to the requirements of City Standard Specification Section 055420 "Frames, Grates, Rings and Covers".
- (6) Cast Iron. Cast iron for supports and inlet units shall conform to the shape and dimensions shown on the plans. The castings shall be clean and perfect, free from sand or blow holes or other defects. Cast iron castings shall conform to the requirements of "Gray Iron Castings" ASTM A 48, Class 30.

**4. CONSTRUCTION METHODS**

- (1) General. All concrete work shall be performed in accordance with the requirements of Specification Section 038000 "Concrete Structures", unless otherwise specified.

Forms will be required for all concrete walls, except where the nature of the surrounding material is such that it can be trimmed to a smooth vertical face.

- (2) Inlets for Precast Concrete Pipe Sewers. The construction of inlets for precast concrete pipe sewers shall be done as soon as is practicable after sewer lines into or through inlet locations are completed. All sewers shall be cut neatly at the inside face of the walls of inlet and pointed up with mortar. Subgrade under cast-in-place and precast inlets shall be compacted to not less than 95% Standard Proctor density.
- (3) Inverts. The inverts passing out or through the inlet shall be shaped and routed across the floor of inlet as shown on the plans. This shaping may be accomplished by adding and shaping mortar or concrete after the base is cast or by placing the required additional material with the base.
- (4) Finishing Complete Inlets. Inlets shall be completed in accordance with the drawings. Backfilling to finish grade elevation with native material, free of debris and compacted to over 95% Standard Proctor density. Backfilling shall be in accordance with the provisions of City Standard Specification Section 022020 "Excavation and Backfill for Utilities".

## **5. MEASUREMENT AND PAYMENT**

Unless otherwise specified on the Bid Form, inlets shall be measured as individual units by each inlet, complete in place.

Extension to inlets will be measured by each extension separately from the inlet.

Excavation, backfill, frames, grates, rings and covers will be considered subsidiary to the construction of the inlets.

Payments shall be full compensation for furnishing all concrete, reinforcing steel, mortar, castings, frames, grates, rings and covers, and for all other materials, labor, tools, equipment and incidentals required to perform the work prescribed above.

This project is a lump sum bid. The work governed by this specification shall not be measured for pay, but shall be subsidiary to the project.

**END OF SECTION**

**SECTION 025610**  
**CONCRETE CURB AND GUTTER**

**1. DESCRIPTION**

This specification shall consist of Portland cement concrete combined concrete curb and gutter or separate concrete curb with or without reinforcing steel as required, constructed on an approved subgrade or foundation material in accordance with these specifications, in conformity with the lines and grades established by the Engineer and details shown on the plans.

**2. MATERIALS**

Unless otherwise specified on the plans, materials and proportions for concrete used in construction under this specification shall conform the requirements as specified for Class "A" Concrete under specification Section 030020 "Portland Cement Concrete". Reinforcing steel, if required, shall conform to the requirements as specified in specification Section 032020 "Reinforcing Steel". Expansion joint filler shall be wood fiber asphalt-impregnated expansion board material.

**3. CONSTRUCTION METHODS**

The foundation shall be excavated and shaped to line, grade and cross-section and, if considered necessary in the opinion of the Engineer, hand tamped and sprinkled. If dry, the subgrade or foundation material shall be sprinkled lightly with water immediately before concrete is deposited thereon.

Outside forms shall be of wood or metal, of a section satisfactory to the Engineer, straight, free of warp, and a depth equal to the depth of the curb and gutter. They shall be securely staked to line and grade, and maintained in a true position during the depositing of concrete. Inside forms for the curb shall be approved material, shall be of such design as to provide the curb required, and shall be rigidly attached to the outside forms. Where specifically permitted by the Engineer in writing, the Contractor may place concrete curb and gutter with an extrusion machine.

The reinforcing steel, if required, shall be placed in position as shown on the typical details. Care shall be exercised to keep all reinforcing steel in its proper location.

Concrete for curb and gutter shall be mixed in a manner satisfactory to the Engineer. The curb and gutter shall be placed in sections of the length indicated on the plans, and each section shall be separated by a premolded insert or board joint of cross-section specified for the curb and gutter, and of the thickness indicated on the plans.

After the concrete has been struck off and after it has become sufficiently set, the exposed surfaces shall be thoroughly worked with a wooden float. The exposed edges shall be rounded by the use of an edging tool to the radius indicated on the plans. All exposed surfaces of curb and gutter, or curb, shall be brushed to a smooth and uniform surface.

The completed curb and gutter shall be cured with Type 2, white pigmented, curing compound unless shown otherwise on the plans. Other methods of curing as outlined in specification Section 038000 "Concrete Structures" will be acceptable with a required curing period of 72 hours.

The curb and gutter shall be backfilled to the full height of the curb, tamped and sloped as directed.

#### **4. MEASUREMENT AND PAYMENT**

Payment shall be full compensation for all labor, equipment, tools and incidentals necessary for the work prescribed in this specification and payment will be part of the project lump sum bid.

**END OF SECTION**

**SECTION 025612**  
**CONCRETE SIDEWALKS AND DRIVEWAYS**

**1. DESCRIPTION**

The specification shall consist of sidewalks and driveways, with or without reinforcing steel, composed of Portland cement concrete, constructed as herein specified on an approved subgrade, in conformity with the lines and grades established by the Engineer and the details shown on the plans.

**2. MATERIALS**

Materials and proportions used in construction under this item shall conform to the requirements as specified for Class "A" concrete under specification Section 030020 "Portland Cement Concrete". Reinforcing steel, if required, shall conform to the requirements as specified in specification Section 032020 "Reinforcing Steel". Expansion joint filler shall be premolded material meeting the requirements specified in specification Section 038000 "Concrete Structures". Cap seal shall be "Greenstreak" or approved equal.

**3. CONSTRUCTION METHODS**

The subgrade shall be excavated, compacted and shaped to line, grade and cross-section and, if considered necessary in the opinion of the Engineer, hand tamped and sprinkled with water. The subgrade shall be moist at the time the concrete is placed.

Forms shall be of wood or metal, of a section satisfactory to the Engineer, straight, free from warp, and of a depth equal to the thickness of the finished work. They shall be securely staked to line and grade and maintained in a true position during the depositing of concrete.

The reinforcing steel, if required, shall be placed in position as shown on the plans. Care shall be exercised to keep all reinforcing steel in its proper location.

Sidewalks shall be constructed in sections of the lengths shown on plans. Unless otherwise provided by the plans, no section shall be a length less than 8 feet and any section less than 8 feet shall be removed by the Contractor at his own expense.

The different sections shall be separated by a premolded insert of the thickness shown on the plans, placed vertically and at right angles to the longitudinal axis of the sidewalks. Where the sidewalk or driveways abut a curb or retaining wall, approved expansion joint material shall be placed along their entire length. Similar expansion joint material shall be placed around all obstructions protruding through sidewalks or driveways.

Concrete shall be mixed in a manner satisfactory to the Engineer, placed in the forms to the depth specified and spaded and tamped until thoroughly compacted and mortar entirely covers the surface. The top surface shall be floated with a wooden float to a gritty texture. The outer edges and joints shall then be rounded with approved tools to the radii shown on plans.

Sidewalks shall be marked into separate sections, each 4 feet in length, by the use of approved jointing tools.

When completed, the sidewalks and driveways shall be cured with Type 2, white pigmented curing compound. Other methods of curing as outlined in specification Section 038000 "Concrete Structures" will be acceptable with a required curing period of 72 hours.

#### **4. MEASUREMENT AND PAYMENT**

This project is a lump sum bid. The work governed by this specification shall not be measured for pay, but shall be subsidiary to the project.

**END OF SECTION**



**SECTION 025614**  
**CONCRETE CURB RAMPS**

**1. DESCRIPTION**

This specification shall govern all work necessary for constructing Concrete Curb Ramps required to complete the project.

**2. MATERIALS**

Concrete shall be class "A" in accordance with Section 030020 of the Standard Specifications.

Unless shown otherwise on the Drawings, reinforcement shall be 4x4 - W2.9 welded wire fabric in accordance with Section 032020 of the Standard Specifications.

**3. CONSTRUCTION METHODS**

The subgrade shall be shaped to line, grade, cross section, and shall be of uniform density and moisture, when concrete is placed. The subgrade shall be hand tamped and sprinkled to achieve the desired consistency and uniform support.

Ramps shall be constructed of Class A concrete to line and section as shown on the plans. Unless shown otherwise on the Drawings, ramps shall have a minimum concrete thickness in excess of 4", prior to application of exposed aggregate surface texture.

Slopes, S, shall be as follows unless shown otherwise on the Drawings:

**RAMPS**

Ramp in direction of travel	$S \leq 1:12$
Side slope of ramp (flare)	$S \leq 1:10$
Cross Slope	$1:100 \leq S \leq 1:50$

**ADJOINING AREAS**

Landings adjacent to ramp	$S \leq 1:20$
Driveways abutting tied sidewalk	$S \leq 1:10$

Width of ramp shall be 36", exclusive of flare, unless shown otherwise in the Drawings. No ramp shall be less than 36" wide.

Obstructions shall be removed or relocated, as appropriate, or the location of the ramp may be shifted, if authorized.

Surfacing shall be the little domes. Surfacing shall be flush with abutting areas. Surfacing shall be subsidiary work and not be measured for separate pay. Abutting curbs, sidewalks, gutters, driveways, etc. shall not receive granite surfacing.

Pavement Markings for street crossings shall be placed such that the crosswalk is properly aligned with respect to the curb ramp. See striping details for proper alignment of striping with respect to intersection and curb ramp. Properly constructed curb ramp shall be true to line, section, and grade and shall be free of loose granite surfacing and irregularities.

#### **4. MEASUREMENT AND PAYMENT**

Measurement and payment shall be as stated in the Special Provisions and/or as indicated in the bid forms.

**END OF SECTION**

**SECTION 025802**  
**TEMPORARY TRAFFIC CONTROLS DURING CONSTRUCTION**

**1. DESCRIPTION**

This specification shall govern all work required for Temporary Traffic Controls During Construction. The work shall include furnishing, installing, moving, replacing, and maintaining all temporary traffic controls including, but not limited to, barricades, signs, barriers, cones, lights, signals, temporary striping and markers, flagmen, and such temporary devices as necessary to safely complete the project.

**2. MATERIALS**

Traffic control devices shall conform to the Texas Manual on Uniform Traffic Control Devices (latest edition), unless indicated otherwise on the Traffic Control Plan.

**3. METHODS**

Sufficient traffic control measures shall be used to assure a safe condition and to provide a minimum of inconvenience to motorists and pedestrians.

A Traffic Control Plan (TCP) is included in the drawings.

A competent person, responsible for implementation of the TCP, maintaining the temporary traffic control devices and for traffic safety during construction, shall be designated by the Contractor.

The name and off-hours phone number of the competent person shall be provided in writing at the Pre-Construction Conference.

The competent person shall be on site, during working hours and on call at all times in the event of off-hour emergency.

**4. MEASUREMENT AND PAYMENT**

This project is a lump sum bid. The work governed by this specification shall not be measured for pay, but shall be subsidiary to the project.

**END OF SECTION**

**SECTION 025803**  
**TRAFFIC SIGNAL ADJUSTMENTS**

**1. DESCRIPTION**

This specification shall govern all work for Traffic Signal Adjustments required to complete the project.

**2. MATERIALS**

All equipment and materials for adjustments shall be provided by the Contractor, unless indicated otherwise on the drawings.

**3. METHODS**

The existing signal controls shall be maintained by the Contractor.

Transferring control of the adjusted signal control shall be done by the Contractor.

A minimum of 72 hours advance notice shall be provided to the City Traffic Engineer by the Contractor, prior to transferring control of the adjusted signal control or any other interim signal adjustments necessary to control traffic, unless otherwise noted on the drawings.

Manual traffic direction by the City Police Department shall be arranged and provided for by the Contractor at any signalized intersection at any time that signal control must be interrupted. The Contractor shall arrange for a representative from the City's Traffic Signals Division to be on site to inspect the process of signal control transfer, during the work.

**4. MEASUREMENT AND PAYMENT**

Unless otherwise specified on the Bid Form, traffic signal adjustments will not be measured for pay, but shall be considered subsidiary to other work.

**END OF SECTION**

**SECTION 025805**  
**WORK ZONE PAVEMENT MARKINGS**

**1. SCOPE**

This specification covers the placement, maintenance and removal of work zone pavement markings, which are temporary pavement markings to be placed on roadways that are open to traffic during various work phases, as required to complete the project.

**2. GENERAL REQUIREMENTS**

The pavement marking material shall consist of an adhesive-backed reflective tape that can be applied to the pavement, Markings are to be 3M Staymark or approved equal. Markings shall be of good appearance, have straight, unbroken edges and have a color that complies with all FHWA regulations.

**3. DIMENSIONS**

Pavement markings shall be minimum of 3-7/8 inches wide. Lengths and spacing will be as specified.

**4. COLOR**

The markings, as well as retroreflected light from the markings, shall be white or yellow as called for on the drawings.

**5. VISIBILITY**

When in place, the pavement markings (during daylight hours) shall be distinctively visible for a minimum of 300 feet.

When in place, the pavement markings (when illuminated by automobile low-beam headlights at night) shall be distinctively visible for a minimum of 160 feet.

The above day and night visibility requirements shall be met when viewed from an automobile traveling on the roadway.

**6. PLACEMENTS AND MAINTENANCE**

At sunrise and sunset of each day and before each phase change, work zone pavement markings meeting all specification requirements shall be in place on all roadways on which traffic is allowed and where suitable permanent pavement markings are not in place. The transverse location of the line(s) formed by the markings shall be as determined by the Engineer.

Unless otherwise shown on the drawings, work zone markings shall be placed as follows:

<u>Condition</u>	<u>Spacing</u>	<u>Length of Stripe</u>
Straight	80 feet (approximate)	24 inches
Curve < 2"	80 feet (maximum)	24 inches
Curve > 2"	40 feet (maximum)	24 inches

The spacing of stripes may be modified by the Engineer. However, the maximum spacing specified above shall not be exceeded in any case.

The Contractor will be responsible for maintaining the work zone pavement markings for a maximum period of two weeks. If, however, the Contractor is also responsible for placing the standard pavement markings, the Contractor will be responsible for maintaining the work zone pavement markings until permanent pavement markings are in place.

#### **7. REMOVAL**

Where removal is required, it will be accomplished in accordance with instructions of the Engineer or as called for on the drawings.

#### **8. MEASUREMENT AND PAYMENT**

Unless otherwise specified on the Bid Form, work zone pavement markings shall not be measured and paid for separately, but shall be considered subsidiary to the appropriate bid item.

**END OF SECTION**

**SECTION 026202**  
**HYDROSTATIC TESTING OF PRESSURE SYSTEM**

**1. DESCRIPTION**

This specification shall govern all work necessary for hydrostatically testing the completed pressure system. The Contractor shall provide all equipment, materials, labor, etc., as necessary, except as noted, and accomplish all testing under this specification.

**2. MATERIALS**

Water for filling the line and making tests will be furnished by the Contractor through a standard meter connection. A meter and gauges for testing will be supplied by the Contractor. A test pump with appropriate connector points as approved by the Water Superintendent for the installation of meter and gauge shall be furnished by the Contractor. The meter shall be directly connected to the main or pipe being tested by the use of copper tubing or an approved reinforced hose. The meter shall be protected against extreme pressures by the use of a one inch (1") safety relief valve set at the test pressure plus ten pounds per square inch and furnished by the Contractor.

**3. TEST PROCEDURE**

Tests shall be made only after completion of backfill as specified, and not until at least thirty-six (36) hours after the last concrete thrust block has been cast with high early strength concrete, or seven (7) days with standard concrete.

Each section of pipe line shall be slowly filled with water and the specified test pressure, measured at the point of lowest elevation, shall be applied. During the filling of the pipe, and before applying the specified test pressure, all air shall be expelled from the pipe line.

During the test, all exposed pipe, fittings, valves, hydrants, and joints shall be carefully examined. If found to be leaking, they shall be corrected immediately by the Contractor. If the leaking is due to cracked or defective material, the defective material shall be removed and replaced by the Contractor with sound material.

All pipe shall be subjected to two hydrostatic tests. The first hydrostatic test shall be a two hour test at a pressure of 150 P.S.I. The second test shall be no less than 48 hours after successful completion of the first hydrostatic test. The second hydrostatic test shall be for a 24 hour period at Owner operating pressure for waterlines or at 50 P.S.I. for sanitary sewer force mains.

The maximum allowable leakage shall be as follows:

Ductile Iron Pipe, AWWA C600

$$L = \frac{SD(P)^{1/2}}{133,200} \quad \text{or} \quad L = \frac{ND(P)^{1/2}}{7,400}$$

Asbestos - Cement Pipe, AWWA C603

$$L = \frac{N D(P)^{1/2}}{4,000}$$

PVC Pipe - Uni-bell equation 99

$$L = \frac{N D(P)^{1/2}}{7,400}$$

WHERE

L = Maximum Allowable Leakage (Gal./Hr.)

S = Length of Pipe Tested (Feet)

N = Number of Joints in Tested Line (Pipe & Fittings)

D = Nominal Diameter of Pipe (In.)

P = Average Test Pressure (P.S.I.)

If the pressure system fails to meet the leakage requirements, the Contractor shall make the required repairs to the system and the system shall be retested. This procedure shall be repeated until the system complies with leakage requirements. The cost of each retest shall be \$100.

#### **4. MEASUREMENT & PAYMENT**

This project is a lump sum bid. The work governed by this specification shall not be measured for pay, but shall be subsidiary to the project.

**END OF SECTION**



**SECTION 026206**  
**DUCTILE IRON PIPE AND FITTINGS**

**1. DESCRIPTION**

This specification shall govern all work necessary for furnishing all ductile iron pipe and fittings required to complete the project.

**2. GENERAL**

All ductile iron pipe shall conform to AWWA C151. The interior of pipe and fittings shall be lined with enameled cement mortar in accordance with AWWA C104. The exterior of pipe and fittings shall have a coating of coal tar enamel of approximately 1 mil thick or as specified in A.W.W.A.

C-105. Ductile iron pipe shall be wrapped in two plies of 8 mil polyethylene in accordance with Technical Specifications Section 026402.

**3. FITTINGS**

All fittings shall be either gray cast iron or ductile iron and in accordance with AWWA C110 or C153. Fittings shall have a pressure rating of 250 p.s.i for sizes through 12" and 150 p.s.i for 14" and larger sizes, unless shown differently on drawings. Unless noted otherwise on drawings, Mechanical Joints shall be used.

**4. JOINTS**

Joints for pipe shall be mechanical type; joints for fittings shall be mechanical joints, unless shown otherwise on drawings.

Mechanical joints shall conform to AWWA C111 and/or C153. Mechanical joints shall be furnished complete with joint material, Cor-ten nuts, Cor-ten bolts, glands and gaskets.

When restrained joints are indicated on the drawings, restrained joints for pipe and fittings of 12" diameter and less shall be mechanical joint with retainer gland Series 1100 by EBA Iron or approved equal with a minimum of 250 psi rated working pressure. Restrained joints for pipe and fittings over 12" in diameter shall be push on type with a retainer ring as LOK-RING by American Ductile Iron Pipe or TR FLEX by U.S. Pipe, or approved equal.

Gaskets shall be of synthetic rubber. An analysis of the material used in each size gasket showing the type of synthetic rubber and that no natural rubber is present shall be supplied

**5. PIPE**

Pressure class ductile iron pipe requirements:

<u>Diameter</u> (inches)	<u>Pressure Class</u> (psi)	<u>Wall Thickness</u> (inches)	<u>Range of Maximum Allowable Depth Cover</u> (feet) (feet)	
			A - B*	
4#	350	0.25	60+	
6	350	0.25	30 - 65	
8	350	0.25	20 - 50	
10#	350	0.26	15 - 45	
12	350	0.28	15 - 44	
14#	300	0.30	13 - 42	
16	300	0.32	13 - 39	
18	300	0.34	13 - 36	
20	300	0.36	13 - 35	
24	250	0.37	11 - 29	
24+	x	x	x	

\* Range of maximum allowable depth of pipe where:

A = Ground water, or unstable bottom, or quick condition.

B = Ideal trench conditions, and sand encasement is at an average density in excess of 90% Standard Proctor.

# Pipe sizes not typically specified on County projects, but shown for reference.

x Requires special evaluation.

The face of bells shall be plainly marked by color coding for classes so as to be readily identified in the field.

## **6. CERTIFICATIONS**

A certification shall accompany each order of pipe and fittings furnished to job site. Certification shall include the following items: indicate that pipe complies with Part 3 of this specification; indicate that fittings and joints comply with Part 4 of this specification (it should be noted that the supplier shall furnish sufficient technical material for the Engineer to determine whether or not push-on joints can comply with the "or equal" clause); and a copy of a lab analysis of the material used in each size gasket showing the type of synthetic rubber and that no natural rubber is present.

## **7. MEASUREMENT**

Unless specified otherwise in the Special Provision, Ductile Iron Pipe will be measured by the linear foot along the centerline for each size installed. Fittings will be measured as individual units for each size and type installed. Measurement of pipe shall be up to, but not include, the fittings.

## **8. PAYMENT**

This project is a lump sum bid. The work governed by this specification shall not be measured for pay, but shall be subsidiary to the project.

**END OF SECTION**

**SECTION 026402**  
**INSTALLATION OF WATER PIPE**

**1. DESCRIPTION**

This specification, in conjunction with the Owner and Water District Standards, shall govern all work necessary for the installation of all waterline facilities required to complete the project.

**2. MATERIALS**

**Concrete:** Concrete shall have a minimum compressive strength of 2000 PSI.

**Bedding Sand for Encasement:** Sand shall be granular soil of low plasticity such that 100% pass a #4 sieve and no more than 10% pass a #200 sieve and the PI shall not exceed 10. Soils with a Unified Classification of SW and SP, or AASHTO Classification of A3, and some A2 soils shall be required.

**Ductile Iron Pipe and Fittings:** See Standard Specification Section 026206.

**Polyvinyl Chloride Pipe:** See Standard Specification Section 026210.

**Tapping Sleeves and Valves:** See Standard Specification Section 026409.

**Gate Valves for Waterlines:** See Standard Specification Section 026411.

**Fire Hydrants:** See Standard Specification Section 026416.

**3. CONSTRUCTION METHODS**

**(1) HANDLING MATERIALS**

- a) **General:** The Contractor shall be responsible for the safe storage of all material furnished to, or by him, and accepted by him, until it has been incorporated in the completed project.

All material found during the progress of the work to have cracks, flaws or other defects will be rejected, and the Contractor shall remove such defective material from the site of the work.

- b) **Unloading and Distribution of Materials at Work Site:** Pipe and other materials shall be unloaded at point of delivery, hauled to and distributed at the job site by the Contractor. Materials shall at all times be handled with care and in accordance with manufacturer's recommendations. Care shall be taken not to scratch PVC pipe. Excessive scratching shall be considered cause for rejection of PVC pipe. Materials may be unloaded opposite or near the place where it is to be installed provided that it is to be incorporated into the work within 10 days. The Contractor shall not distribute material in such a manner as to cause undue inconvenience to the public.
- c) **Storing Materials:** Materials that are not to be incorporated into the work within 10 days shall be stored on platforms. The interior of pipes and accessories shall be kept free from dirt and foreign matter.

**(2) ALIGNMENT AND GRADE**

- a) General: All pipes shall be laid and maintained to the required lines and grades. Fittings, valves and hydrants shall be at the required locations with joints centered, spigots home and all valve and hydrant stems plumb.

Temporary support and adequate protection of all underground and surface utility structures encountered in the progress of the work shall be furnished by the Contractor.

Where the grade or alignment of the pipe is obstructed by existing utility structures such as conduits, ducts, pipes, connections to sewers or drains, the obstruction shall be permanently supported, relocated, removed, or reconstructed by the Contractor at the Contractor's expense, in cooperation with the owners of such utility structures.

- b) Deviation from Drawings: No deviation from the line and grade shown on plans may be made without the written consent of the Engineer.
- c) Depth of Cover: Depth of cover will be measured from the established street grade or the surface of the permanent improvement, or from finished grade to the top of the pipe barrel. Unless otherwise shown on drawings, the minimum depth of cover shall be 36 inches.

(3) **TRENCH EXCAVATION AND BACKFILL**

See Standard Specification Section 022020, Excavation and Backfill for Utilities and Sewers.

(4) **POLYETHYLENE WRAPPING**

All ductile or cast iron pipe, valves and fittings, except pipe or valves which are laid in encasement pipe or in concrete valve boxes, shall be wrapped in polyethylene. The polyethylene material shall have a thickness of 8 mils and may be either clear or black. The wrapping shall be lapped in such manner that all surfaces of pipe valves and fittings, including joints, shall have a double thickness of polyethylene. If a single longitudinal lap is made, using a double thickness of polyethylene, it shall be lapped a minimum of 18 inches and the lap shall be placed in the lower quadrant of the pipe and in such a manner that backfill material cannot fall into the lap. The polyethylene shall be secured in place with binder twine at not more than 6-foot intervals. If wrapping is applied before the pipe is placed in the trench, then special care shall be taken in handling the pipe so that the wrapping will not be damaged. Care shall also be exercised in backfilling around the pipe and fittings and in blocking fittings so as not to damage the wrapping. Any wrapping that may be damaged shall be repaired in a manner satisfactory to the Engineer and so as to form the best protection to the pipes.

(5) **SAND ENCASEMENT**

All pipe and fittings which are not enclosed in concrete valve boxes, or laid in encasement pipe, shall be completely encased with a minimum of eight inches of sand. This encasement includes the bottom, sides and top of pipe and fittings including bells, so that all portions will be encased with a minimum of eight inches of sand to insulate the pipe from the natural ground and from the backfill. The sand shall be compacted to a minimum of 90% Standard Proctor.

Sand shall be placed in a manner that will not injure the polyethylene wrapping and shall be compacted under, around the side, and over the pipe in a manner that will reduce settlement to a minimum and as approved by the Engineer.

In order to reduce the amount of sand required, the trench bottom may be excavated in a rounded manner so as to maintain at least a minimum of eight inches of sand between the excavation and the pipe.

**(6) LOWERING PIPE AND ACCESSORIES IN THE TRENCH**

- a) General: The trench shall be excavated true and parallel to the pipe center line with a minimum clearance of eight inches below the pipe bottom and with a like clearance from the bottom of the bell to the bottom of the bell hole. The trench will then be refilled to the proper grade with sand as specified. The placing of the encasing material shall be done in such a manner so as to be free of all natural soil rock or other foreign matter.

After final grading in the trench of the encasing material, bell holes shall be excavated at each joint.

Proper implements, tools and facilities satisfactory to the Engineer shall be provided and used by the Contractor for the safe and efficient execution of the work. All pipe, fittings, valves, hydrants and accessories shall be carefully lowered into the trench by means of a derrick, ropes, or other suitable equipment, in such a manner as to prevent damage to pipe and fittings. Under no circumstances shall pipe or accessories be dropped or dumped into the trench.

- b) Inspection of Pipe and Accessories: The pipe and accessories shall be inspected for defects prior to lowering in the trench. Any defective damage or unsound pipe shall be replaced.
- c) Clean Pipe: All foreign matter, or dirt, shall be removed from the interior of the pipe prior to lowering into the trench. Pipe shall be kept clean both in and out of the trench at all times during the laying.

**(7) JOINTING PIPES**

All pipes shall be made up in accordance with manufacturer's recommendation. Pipe deflection shall not exceed 75% of the maximum amount recommended by the manufacturer.

**(8) CONCRETE THRUST BLOCKS**

Thrust backings shall be applied at all bends, tees, incomplete crosses and blow-offs, except at anchored fittings. The size and shape of the thrust blocking shall be as shown on the plans. Materials for the backings shall be minimum 2,000 psi concrete and shall be placed between solid ground and the fittings to be anchored. The sizes of thrust blocking is indicated on the drawings.

The backing shall be placed so that the pipe and fitting joints will be accessible for repair.

Temporary thrust blocks, or other means of carrying thrust loads generated by hydrostatic testing shall be provided at all ends of lines to be tested. Details of the end connections and method of temporary blocking shall be submitted to the Engineer for approval. After satisfactory completion of the hydrostatic test, this temporary blocking shall be removed so that connections may be made with existing lines. This work is subsidiary to waterline installation and no separate payment will be made for it.

(9) **METAL HARNESS**

Metal harness, tie rods and clamps, or swivel fittings shall be used to prevent movement when soil conditions will not withstand thrust blocking. Steel rods and clamps shall be galvanized, or otherwise rust proofed or coated with hot coal tar enamel, then wrapped with two layers of polyethylene wrapping.

(10) **STERILIZATION**

- a) Fittings: Valves, hydrants and fittings shall be stored on timbers and kept clean. Where soil or other substance has come in contact with the water surfaces of the fittings, the interior shall be washed and sterilized with 2% solution of calcium hypochlorite.
- b) Pipe: As each joint of pipe is laid, the Contractor, unless otherwise specified by the Engineer, shall throw powdered calcium hypochlorite (70%) through the length of the joint (One pound for each 1,680 gallons of water to give 50 ppm). When the line is complete, and before testing, same shall be slowly filled with water between valves and allowed to stand for 48 hours. After sterilization period is completed, lines shall be flushed by the Contractor under the direct supervision of a representative of the Owner Water Department. The Engineer will take same test two hours after refilling. If the sample does not pass State Health Department purification standards, the procedure shall be repeated. The entire procedure shall be coordinated under the supervision of the Water Division Superintendent/Engineer.

During sterilization process, valves shall be operated only under the supervision of the Water Division Superintendent/Engineer. There shall be a base fee of \$100 paid by the Contractor to the Owner for each retest that is required.

(11) **HYDROSTATIC TESTING WATER SYSTEM**

See Standard Specification Section 026202, Hydrostatic Testing of Pressure System.

(12) **WATER SERVICE CONNECTIONS**

See Standard Specification Section 026404, Water Service Lines.

**4. MEASUREMENT AND PAYMENT**

This project is a lump sum bid. The work governed by this specification shall not be measured for pay, but shall be subsidiary to the project.

**END OF SECTION**

**SECTION 026404**  
**WATER SERVICE LINES**

**1. DESCRIPTION**

This specification shall govern all work necessary for furnishing and installing water service lines required to complete the project. Water Service lines are those lines from the Owner main to the meter at the property line.

**2. MATERIALS**

**GENERAL**

Service fittings shall have a minimum of 150 psi working pressure rating, unless indicated otherwise.

Fittings and materials shall be in accordance with the applicable provisions of AWWA C-800.

All service connections shall require service clamps.

**SERVICE CLAMP**

Service clamps shall be brass saddle with two silicone bronze straps with I.P. thread and have a minimum working pressure rating of 200 psi. The saddle and nuts shall be of 85-5-5-5 brass alloy per ASTM B-62 and AWWA C800. The Nuts shall have unitized washers. Straps shall be 5/8" high quality silicone bronze flattened and contoured to provide a wider bearing surface against pipe. Clamps shall be comparable to:

Ford 202B, Smith Blair 323, Rockwell 323

**CORPORATION STOP**

Corporation Stop shall be of brass with I.P. thread inlet and Muller 110 Compression connection outlet designed for type K copper pipe and be comparable in design to the following:

Muller H-15028 for 3/4" & 1" sizes

Muller H-15023 for 1 1/2" & 2" sizes

**ANGLE METER STOP**

Angle Meter Stop shall have a Teflon coated bronze ball which rotates within two Buna-N rubber seats. Inlet shall be packed joint for Type K copper and be comparable in design to the following:

For BA43-332 for 3/4" & BA43-444 for 1"

Brass gate valve req. for 1 1/2" and 2" sizes

**SERVICE LINE**

Service line shall be of type K copper tube.



Other products of comparable featured and equal quality may be substituted for the above items with approval of the Engineer.

### **3. CONSTRUCTION METHODS**

See Section 022020, "Excavation and Backfill for Utilities and Sewers"

Service lines shall be placed by the Contractor as indicated on the drawings and as directed by the Engineer.

Relocation of existing meters and changeover to the new system shall be done only under the direct supervision of the Owner Water Department.

### **4. MEASUREMENT**

Service lines shall be measured with the units indicated in the proposal for each size of service line indicated in the proposal.

### **5. PAYMENT**

Payment for service lines shall include but not be limited to the following: copper tubing, corporation stop, service clamp, angle meter stop, trenching, trench safety, testing, flushing, clean-up, site restoration, all labor, all equipment, and incidentals required for the proper installation as part of the project lump sum bid or as indicated on the bid documents.

**END OF SECTION**

**SECTION 026413**  
**BUTTERFLY VALVES FOR WATERLINES (S-85B)**

**1. DESCRIPTION**

This specification shall govern all work necessary for furnishing and installing butterfly valves with boxes required to complete the project.

**2. MATERIALS**

**BUTTERFLY VALVES**

General: All butterfly valves shall be tight-closing, rubber-seat type conforming to AWWA C504 and the following. Acceptable suppliers shall have a minimum of 5 years experience in the manufacturer of butterfly valves of the type specified herein. Unless indicated otherwise on the drawing, valves shall be Class 150B.

Body end connections: Mechanical Joint ends conforming to AWWA C111 shall be required for all butterfly valves, unless indicated otherwise on the Drawing.

When flanged ends are indicated on the Drawings, valves shall have short body and flanged ends with flanges dimensioned in accordance with ANSI B16.1, class 125 cast-iron flanges.

Shaft: Shaft shall be type 304 or 316 stainless steel.

Disc: Valve disc shall be constructed of aluminum bronze ASTM A148-952 or ductile iron ASTM A536 with 316 stainless steel or Monel disc edge, or ductile iron with removable seal.

Valve Seat: The seat shall be field replaceable, and body or ring mounted and shall be adjustable for seats over 30" in diameter. Adjustment shall not require special tools.

Bearings: Bearings shall be reinforced Teflon.

Actuator: Unless indicated otherwise on drawings. The valve actuator shall be integrally mounted on the valve-mounting flange. The housing, cover and shaft shall be sealed to prevent water entry under 25' submergence. Actuator shall be designed for buried service and furnished with 2" AWWA operating nut.

When Automatic Actuator is required - electric motor

Electric motor modulating valve actuator shall comply with AWWA C540 and the following:

Rotation - 90 degree reversible

Torque rating - for 125 p.s.i. differential

Cycle time - less than 100 seconds

Duty - 15 minutes continuous

Manual operation - integral with declutching device

Hand switch - integral 5 positions to permit local operation

Mechanical stops - internal to prevent over travel

Gearing - for 30 to 60 second opening/closing  
Auxiliary limit switches - 4 SPDT: 2 full open, 2 full closed  
Heater - 8 watt minimum  
Control wiring - 120 VAC, 1 phase, 60 Hz  
Equipment actuator with zero and span adjustments  
Provide actuator with a field set choice of valve position on loss of signal

Submersible design required  
Electrical Characteristics:  
Power: 120 VAC. 1 phase, 60 Hz  
Rating: NEMA 4

Local Control:  
Push button station equipped with:  
Remote/local switch  
Position indication lights  
Reversible, intermittent contact  
Close - stop - open switch  
Contact closure for remote/local indication where indicated in schedule  
Enclosure - NEMA 4  
Mounting – at inflow and outflow valves adjacent to tank

Manual Operation:

Type: Hand wheel, lever, or (operating nut required below ground unless specified otherwise).

General:  
Comply with AWWA C504  
Maximum torque at 80 lb. input  
Worm gear for hand wheel operation  
Totally enclosed worm gear

Field Service: The equipment manufacturer shall furnish the services of a qualified factory field service engineer at the site to inspect the installation and instruct the City's Water personnel of the operation and maintenance of the unit.

O&M Manual: The manufacturer shall furnish the Engineer with 4 sets of complete operation and maintenance manuals (including wiring diagrams).

#### CAST IRON VALVE BOX

Valves boxes shall be provided and installed with all butterfly valves, unless indicated otherwise on the drawings. The word "Water" shall be cast in the top cover. The boots shall be hemispherical in shape and shall fit the particular valve size box, lid and boot shall be hot tar dipped. The extension pipe for the valve box assembly shall be 8" PVC with SDR of 35 or thicker. Valve box and accessories shall be designed for roadway application.

### **3. CERTIFICATIONS & TESTS**

The valve manufacturer shall furnish an affidavit stating that valves comply with AWWA C504 and this specification with exceptions noted in affidavit. Said exceptions are subject to approval of the Engineer. The manufacturer shall furnish test records as per sections 2.3, 3.8.5.8, 3.8.5.9, 5.2.1, 5.2.2, 5.2.3, and 5.2.4 of AWWA C504.

### **4. SHOP DRAWINGS**

The manufacturer shall submit certified shop drawings as per sections 1.4 and 1.5 of AWWA C504.

### **5. CONSTRUCTION METHODS**

Valves shall be installed in a workman like manor and wrapped with two plies of 8-mil polyethylene. Valve boxes in street ROW shall be set flush with pavement or surrounding ground. In cultivated areas the top of box shall be set 12" below natural ground and long enough to be raised to natural ground at a future date.

### **6. MEASUREMENT AND PAYMENT**

Unless indicated otherwise in the Proposal, Butterfly Valves with box shall be measured as a unit for each size of valve and box assembly. Payment shall include but not be limited to furnishing and installing the valve and box complete with polyethylene wrap, concrete collar, box assembly, and all labor, materials, incidentals, etc., required for the proper installation.

**END OF SECTION**

**SECTION 026416**  
**FIRE HYDRANTS (S-86)**

**1. DESCRIPTION**

This specification shall govern all work necessary to provide all fire hydrants required to complete this project.

**2. MATERIALS**

Concrete: Concrete shall have a minimum compressive strength of 2000 psi at 28 days.

Fire Hydrants:

The fire hydrants shall conform to AWWA C502-64 standard specifications for fire hydrants for ordinary water works service, except for changes, additions and supplementary details specifically outlined herein:

- a) Hydrants - Hydrants shall be of the traffic model type equipped with a safety flange or collar on both the hydrant barrel and stem.
- b) Type of Shutoff - The shutoff shall be of the compression type only.
- c) Inlet Connection - The inlet shall be ASA A-21.11 1964 mechanical joint for six-inch (6"), Class 150 ductile iron pipe. A complete set of joint material shall be furnished with each hydrant.
- d) Delivery Classifications - Each hydrant shall have two hose nozzles and one pumper nozzle.
- e) Bury Length - The hydrants shall be furnished in the bury length as indicated on drawings.
- f) Diameter (Nominal Inside) of Hose and Pumper Nozzles - The hose nozzles shall be two and one-half inches (2-½") inside diameter and the pumper nozzle shall be four inches (4") inside diameter.
- g) Hose and Pumper Nozzle Threads - The hose nozzles shall have two and one-half-inch (2-½") National Standard thread (7-½ threads per inch). The pumper nozzle shall have size (6) threads per inch with an outside diameter of 4.658 inches, pitch diameter of 4.543 inches, and a root diameter of 4.406 inches.
- h) Harnessing Lugs - None required.
- i) Nozzle Cap Gaskets - Required.
- j) Drain Openings - Required.
- k) Tapping of Drain Opening - Tapping of the drain opening for pipe threads is not required.
- l) Nozzle Chain - Not required.
- m) Direction to Open - The hydrants shall open left (counter clockwise).
- n) Color of Finish Above Ground Line - That portion of the hydrant above the ground line shall be painted chrome yellow.

- o) Shape and Size of Operating and Cap Nuts - The operating and cap nuts shall be tapered pentagon one and one-fourth inches (1-1/4") point to face at base and one and one-eighth inches (1-1/8") point to face at top of nut.
- p) Nozzle Cap Chains - Hydrants shall be furnished without nozzle cap chains.
- q) Size of Fire Hydrant - The main valve opening shall not be less than five and one-quarter inches (5-1/4") inside diameter.
- r) Valve Facing - The main valve facing of the hydrant shall be rubber with 90± Durometer hardness. When the main valve lower washer and stem nut are not an integral casting then the bottom stem threads shall be protected with a bronze cap nut and a bronze lock nut.
- s) Barrel Sections - The hydrant shall be made in two or more barrel sections with flanges connecting the barrel to the elbow and to the packing plate.
- t) Breakable Coupling - Hydrants shall be equipped with a breakable coupling on both the barrel section and the stem. The couplings shall be so designed that in case of traffic collision the barrel and stem collar will break before any other part of the hydrant breaks.
- u) Hydrant Adjustment - The hydrant shall be designed as to permit its extension without excavating after the hydrant is completely installed.
- v) Breakable Collars, Barrel and Stem - Weakened steel or weakened cast iron bolts that are used in the breakable barrel couplings will not be acceptable.
- w) Operating Stem - Stems that have operating thread located in the waterway shall be made of manganese bronze, Everdur, or other high quality non-corrodible metal. Stems that do not have operating threads located in the waterway must be sealed by a packing gland or "O"-ring seal located between the stem threads and waterway. Iron or steel stems shall be constructed with a bronze sleeve extending through the packing or "O"-ring seal area. The sleeve shall be of sufficient length to be in the packing gland "O"-ring seal in the both open and closed positions of the main valve. The sleeve shall be secured to the steel stem so as to prevent water leakage between the two when subjected to 300 pounds hydrostatic test pressure.

- x) Drain Valve Mechanism - Drain valves operating through springs or gravity are not acceptable.
- y) Operating Stem Nut - The operating stem nut shall be designed to prevent seepage or rain, sleet, and the accumulation of dust between the operating nut and the hydrant top.
- z) Packing Gland or "O"-Ring Seal - Fire hydrants having the threaded part of the stem at the hydrant top shall be equipped with a packing gland or an "O"-ring seal immediately below the threaded section of the stem.

### **3. CONSTRUCTION METHODS**

Fire hydrants shall be installed as shown on drawings. Minimum burial length shall be 3 feet. Breakable couplings shall be located at least 2 inches and less than 6 inches above finish grade.

Hydrants and fittings shall be stored on timber and kept clean. The interior surfaces of hydrants and fittings shall be washed and sterilized with approved sterilizing agent, if requested by the Engineer at the time of installation.

### **4. CERTIFICATION**

The manufacturer shall furnish to the Engineer two (2) certified sets of prints showing complete details and dimensions of the hydrant.

The manufacturer shall furnish to the Engineer one (1) certified copy of the physical tests of all metals used in the manufacture of the fire hydrant that is normally manufactured and that will meet these specifications.

### **5. MEASUREMENT AND PAYMENT**

Unless indicated otherwise in the Proposal, fire hydrants will be measured as a unit per each. Payment shall include, but not be limited to, furnishing and installing the complete fire hydrant assembly with valve, 6-inch line and fitting on the main; and shall be full compensation for all labor, materials, tools, equipment and incidentals required to properly complete the work.

**END OF SECTION**

**SECTION 027202**  
**MANHOLES**

**1. DESCRIPTION**

This specification shall govern the furnishing of all materials and construction of manholes composed of a concrete base and concrete walls as shown on the drawings, to the lines, grades and dimensions shown on drawings or established by the Engineer.

**2. MATERIALS**

Concrete for cast-in-place storm water manholes and storm water junction boxes shall be Class C (3,600 psi at 28 days). Manholes for wastewater shall be made from fiberglass only, in accordance with City Standard Specification Section 027205 "Fiberglass Manholes".

Mortar for plastering shall be one (1) part Portland cement to three (3) parts clean hard and sharp mortar sand, free of all foreign substances or injurious alkalis.

Reinforcing steel, where used, shall conform to the requirements of Section 032020 "Reinforcing Steel". All wastewater manhole rings and covers for streets shall be East Jordan Iron Works, Inc. product V1430 CV or V1420/1480 Z1, or pre-approved equal, and shall have the seating surface of ring and cover machined to secure a snug fit per the contract drawing Wastewater Details. All storm water manholes shall be East Jordan Iron Works, Inc. product V1168 assembly, and for school zones shall be a bolted assembly per the Contract Drawing Storm Water Details. Steps are not required for wastewater and storm water manholes.

Joint material for precast concrete manholes shall be Ram-Nek Flexible Plastic Gaskets as manufactured by K. T. Snyder Company, Houston, Texas, or an approved equal.

**3. EXCAVATION**

The Contractor shall do all necessary excavation for the various manholes, conforming to size and dimensions shown on plans plus a maximum of four (4) feet working room. Excavation shall not be carried to greater depth than required. Subgrade under manhole footings shall be compacted to not less than 95% Standard Proctor density. Shoring shall be the responsibility of the Contractor and shall be installed as necessary. Shoring shall not be removed or backfilled around until entire manhole is completed, unless authorized by the Engineer. Shoring shall remain in place at least twenty-four (24) hours after concrete work has been completed.

**4. CONCRETE MANHOLES (STORM WATER ONLY)**

(1) Formed-in-Place Manholes:

Where formed concrete is used, forms shall be built to dimensions shown on the contract drawing details. Inserts and openings shall be formed so concrete will not be injured during process of stripping forms. Forms shall be braced and tied to prevent spreading or bulging, and shall meet approval of the Engineer prior to placing concrete. Forms shall remain in place for minimum of twenty-four (24) hours, and shall be removed within a maximum time of seven (7) days after completion of concrete work. Reinforcing steel, if required, shall be as shown on the plans.

The bottom of manholes shall be carefully formed and inverted smoothly when



finished, with pipes cut to fit inside surface of walls.

(2) Precast Manholes

Precast manholes shall allow unobstructed view of all pipes connected to the manhole. Precast manholes shall be designed to support HS-20 traffic loading and designed by a Texas licensed professional engineer. The upper 18 inches of the corbel shall be brick to facilitate subsequent grade adjustment. Either concentric or eccentric cones may be required. Where not specified, eccentric cones shall be used. Manhole designs shall be submitted for approval by the Engineer.

**5. GENERAL CONSTRUCTION METHODS**

All items shall be installed as the work progresses and as shown on the standard details. Work shall be completed and finished in a careful workmanlike manner, with special care being given to sealing joints around all pipe extending through walls of the manholes. After finishing walls, the bottom of the manhole shall be completed by adding sufficient concrete to shape the bottom in conformity with requirements on the plans. Where old manholes are adjusted to meet new lines and grades, all old masonry or concrete shall be thoroughly cleaned and wetted before joining new masonry or concrete to it. HDPE adjustment rings are to be used to match roadway grade. A maximum of 18" of adjustment rings may be utilized.

**6. BACKFILLING/LEAKAGE TESTING**

Backfilling around the manholes shall commence as soon as concrete or masonry has been allowed to cure the required time and forms and shoring have been removed. Backfill shall be placed in layers of not more than six inches (6") and compacted to a minimum of 95% Standard Proctor density before next layer is installed. Wastewater manholes shall withstand a leakage test not to exceed the values stated in Specification Section 027205 "Fiberglass Manholes", except that an additional 10 percent of loss will be permitted for each additional two feet head over a basic two-foot internal head.

**7. MEASUREMENT AND PAYMENT**

Unless otherwise specified on the Bid Form, manholes shall be measured by each individual structure built, and paid for at the unit price bid per each, of the size, type and depth specified, complete in-place, and meeting the approval of the Engineer. "Complete in-place" shall mean all labor, materials, tools, equipment and incidentals necessary to furnish and install the manholes, excavation, compaction, backfilling, dewatering, concrete foundation, connections, adjustment rings, ring and cover, concrete work, leakage testing, video inspection, and adjust the manholes to finish grade.

Extra depth for wastewater manholes over six feet in depth shall be measured by the vertical foot and shall be paid for at the price bid per vertical foot for "Extra Depth for Manholes".

Rehabilitation of existing manholes with fiberglass inserts shall be measured by each individual structure rehabilitated, and paid for at the unit price bid per each, of the size, type and depth specified, complete in-place, and meeting the approval of the Engineer. "Complete in-place" shall mean all labor, materials, tools, equipment and incidentals necessary to furnish and install the rigid fiberglass manhole inserts, make connections, grout the annular space, backfilling, adjustment rings,

ring and cover, concrete work, leakage testing, and adjust the manholes to finish grade.

This project is a lump sum bid. The work governed by this specification shall not be measured for pay, but shall be subsidiary to the project.

**END OF SECTION**

**SECTION 027402**  
**REINFORCED CONCRETE PIPE CULVERTS**

**1. DESCRIPTION**

This specification shall govern the furnishing and placing of reinforced concrete pipe culverts and the material and incidental construction requirements for reinforced concrete pipe sewers. The culvert pipe shall be installed in accordance with the requirements of these specifications to the lines and grades shown on the plans, and shall be of the classes, sizes and dimensions shown thereon. The installation of pipe shall include all joints or connections to new or existing pipe, headwalls, etc., as may be required to complete the work.

**2. MATERIALS**

**2.1 GENERAL**

Except as modified herein, materials, manufacture and design of pipe shall conform to ASTM C-76 for Circular Pipe. All pipe shall be machine made or cast by a process which will provide for uniform placement of the concrete in the form and compaction by mechanical devices which will assure a dense concrete. Concrete shall be mixed in a central batch plant or other approved batching facility from which the quality and uniformity of the concrete can be assured. Transit mixed concrete will not be acceptable for use in precast concrete pipe.

**2.2 DESIGN**

All pipe shall be Class III (Wall "B") unless otherwise specified on the plans. The shell thickness, the amount of circumferential reinforcement and the strength of the pipe shall conform to the specified class as summarized in ASTM C-76 for Circular Pipe.

**2.3 SIZES AND PERMISSIBLE VARIATIONS**

- a. Variations in diameter, size, shape, wall thickness, reinforcement, placement of reinforcement, laying length and the permissible underrun of length shall be in accordance with the applicable ASTM Specification for each type of pipe as referred to previously.
- b. Where rubber gasket pipe joints are to be used, the design of the Joints and Permissible Variations in Dimensions shall be in accordance with ASTM C-443.

**2.4 WORKMANSHIP AND FINISH**

Pipe shall be substantially free from fractures, large or deep cracks and surface roughness. The ends of the pipe shall be normal to the walls and centerline of the pipe within the limits of variations allowed under the applicable ASTM specification.

**2.5 CURING**

Pipe shall be cured in accordance with the applicable ASTM Specification for each type of pipe as referred to above.

## 2.6 MARKING

The following information shall be clearly marked on each section of pipe:

- a. The class of pipe.
- b. The date of manufacture.
- c. The name or trademark of the manufacturer.
- d. Marking shall be indented on the pipe section or painted thereon with waterproof paint.

## 2.7 MINIMUM AGE FOR SHIPMENT

Pipe shall be considered ready for shipment when it conforms to the requirements of the tests specified herein.

## 2.8 INSPECTION

The quality of materials, the process of manufacture, and the finished pipe shall be subject to inspection and approval by the Engineer at the pipe manufacturing plant. In addition, the finished pipe shall be subject to further inspection by the Engineer at the project site prior to and during installation.

## 2.9 CAUSES FOR REJECTION

Pipe shall be subject to rejection on account of failure to conform to any of the specification requirements. Individual sections of pipe may be rejected because of any of the following:

- a. Fractures or cracks passing through the shell, except for a single end crack that does not exceed the depth of the joint.
- b. Defects that indicate imperfect proportioning, mixing and molding.
- c. Surface defects indicating honeycombed or open texture.
- d. Damaged ends, where such damage would prevent making a satisfactory joint.

## 2.10 REPAIRS

Pipe may be repaired if necessary, because of occasional imperfections in manufacture or accidental injury during the handling, and will be acceptable if, in the opinion of the Engineer, the repairs are sound and properly finished and cured and the repaired pipe conforms to the requirements of the specifications.

## 2.11 REJECTIONS

All rejected pipe shall be plainly marked by the Engineer and shall be replaced by the Contractor with pipe that meets the requirements of these specifications. Such rejected pipe shall be removed immediately from the worksite.

## 2.12 JOINTING MATERIALS

Unless otherwise specified on the plans, the Contractor shall have the option of making the joints by any of the following methods:

a. Ram-Nek, a pre-formed plastic base joint material manufactured by K. T. Knyder Company, Houston, Texas, or an approved equal. Use of Talcote as joint material will not be permitted. Ram-Nek joint material and primer shall be supplied for use on pipe in the following sizes, which is the minimum that will be required.

Additional Ram-Nek may be required if, in the opinion of the Engineer, a proper joint is not secured.

<u>Pipe Size</u>	<u>Primer Per 100 Jts.</u>	<u>Cut Lengths Per Joint</u>
12"	1.5 gals.	½ pcs 1" x 2'-5"
15"	1.9 gals.	2 pcs 1" x 2'-5"
18"	2.7 gals.	1½ pcs 1½" x 3'-5"
21"	3.8 gals.	2 pcs 1½" x 3'-5"
24"	6.2 gals.	2 pcs 1½" x 3'-5"
30"	8.5 gals.	2½ pcs 1½" x 3'-5"
36"	9.5 gals.	3 pcs 1¾" x 3'-5"
42"	12.0 gals.	3½ pcs 1¾" x 3'-5"
48"	15.0 gals.	4 pcs 1¾" x 3'-5"
54"	20.0 gals.	4½ pcs 1¾" x 3'-5"
60"	25.0 gals.	5 pcs 1¾" x 3'-5"
66"	30.0 gals.	5½ pcs 1¾" x 3'-5"
72"	32.0 gals.	6 pcs 2" x 3'-5"
84"	35.0 gals.	7 pcs 2" x 3'-5"

b. TYLOX Types "C", "C-P" or "CR" rubber gaskets, as applicable, as manufactured by Hamilton Kent Manufacturing Company, Kent, Ohio, or approved equal. All gaskets, lubricants, adhesives, etc., shall be manufactured, constructed, installed, etc., as recommended by the manufacturer of the rubber gasket material and conform to ASTM Designation: C-443. In addition, the Contractor shall furnish to the City, for approval, manufacturer's brochures detailing the complete use, installation, and specifications of concrete pipe and rubber gaskets before any rubber gasket material is used on the project. All rubber gaskets shall be fabricated from synthetic rubber.

c. Cement Mortar is prohibited from jointing pipe except at manholes, pipe junctions, etc., or where specifically approved by the Engineer.

d. Geotextile for wrapping pipe joints shall be Class "A" subsurface drainage type in accordance with AASHTO M288.

## 3. CONSTRUCTION METHODS

Reinforced concrete pipe culverts shall be constructed from the specified materials in accordance with the following methods and procedures:

### 3.1 EXCAVATION

All excavation shall be in accordance with the requirements of Specification Section 022020 "Excavation and Backfill for Utilities," except where tunneling or jacking methods are shown on the plans or permitted by the Engineer.

When pipe is laid in a trench, the trench, when completed and shaped to receive the pipe, shall be of sufficient width to provide free working space for satisfactory bedding and jointing and thorough tamping of the backfill and bedding material under and around the pipe. The Contractor shall make such temporary provisions as may be necessary to insure adequate drainage of the trench and bedding during the construction operation. Pipe shall be placed such that the identification markings are visible at the top prior to backfill.

### 3.2 BEDDING

The pipe shall be bedded in accordance with the bedding details shown on the drawings. Bedding shall not be measured for pay, but shall be subsidiary to other work. If the subgrade of the trench is unstable, even if this condition occurs at relatively shallow depths, full encasement of the pipe with crushed stone shall be required.

### 3.3 LAYING PIPE

Unless otherwise authorized by the Engineer, the laying of pipe on the prepared foundation shall be started at the outlet (downstream) end with the spigot or tongue end pointing downstream, and shall proceed toward the inlet (upstream) end with the abutting sections properly matched, true to the established lines and grades. Where bell and spigot pipe are used, cross trenches shall be cut in the foundation to allow the barrel of the pipe to rest firmly upon the prepared bed. These cross trenches shall be not more than two inches larger than the bell ends of the pipe. Proper facilities shall be provided for hoisting and lowering the sections of pipe into the trench without disturbing the prepared foundation and the sides of the trench. The ends of the pipe shall be carefully cleaned before the pipe is placed. As each length of pipe is laid, the mouth of the pipe shall be protected to prevent the entrance of earth or bedding material. The pipe shall be fitted and matched so that when laid in the bed, it shall form a smooth, uniform conduit. When elliptical pipe with circular reinforcing or circular pipe with elliptical reinforcing is used, the pipe shall be laid in the trench in such position that the markings "TOP" or "BOTTOM" shall not be more than 5 degrees from the vertical plane through the longitudinal axis of the pipe.

For pipe over 42 inches in diameter, the Contractor may drill two holes not larger than 2 inches in diameter, in the top of each section of the pipe, to aid in lifting and placing.

The holes shall be neatly drilled, without spalling of the concrete, and shall be done without the cutting of any reinforcement. After the pipe is laid, the holes shall be filled with mortar and properly cured, and placed such that they are visible from the top for inspection prior to backfill.

Multiple installations of reinforced concrete pipe shall be laid with the center lines of individual barrels parallel. When not otherwise indicated on plans, the following clear distances between outer surfaces of adjacent pipe shall be used.

Diameter of Pipe	18"	24"	30"	36"	42"	48"	54"	60" to 84"
Clear Distance Between Pipes	0'-9"	0'-11"	1'-1"	1'-3"	1'-5"	1'-7"	1'-11"	2'-0"

1. Jointing.

a. If the use of Portland cement mortar joints is allowed, all pipe shall be jointed tight and sealed with stiff mortar, composed of one part Portland cement and two parts sand, so placed as to form a durable water-tight joint. The installation shall be as required by the Engineer.

b. Joints using Rubber Gaskets: Where rubber gasket pipe joints are required by the plans, the joint assembly shall be made according to the recommendations of the gasket manufacturer. Water-tight joints will be required when using rubber gaskets.

c. Joints using Cold-Applied Preformed Plastic Gaskets shall be made as follows:

A suitable prime of the type recommended by the manufacturer of the gasket joint sealer shall be brush-applied to the tongue and groove joint surfaces and the end surfaces and allowed to dry and harden. No primer shall be applied over mud, sand or dirt or sharp cement protrusions. The surface to be primed must be clean and dry when primer is applied.

Before laying the pipe in the trench, the plastic gasket sealer shall be attached around the tapered tongue or tapered groove near the shoulder or hub of each pipe joint. The paper wrapper shall be removed from one side only of the two-piece wrapper on the gasket and pressed firmly to the clean, dry pipe joint surface. The outside wrapper shall not be removed until immediately before pushing the pipe into its final position.

When the tongue is correctly aligned with the flare of the groove, the outside wrapper on the gasket shall be removed and the pipe shall be pulled or pushed home with sufficient force and power (backhoe shovel, chain hoist, ratchet hoist or winch) to cause the evidence of squeeze-out of the gasket material on the inside or outside around the complete pipe joint circumference. The extruded gasket material shall be smoothed out over the joint on the exterior and interior of the pipe. Any joint material pushed out into the interior of the pipe that would tend to obstruct the flow shall be removed. (Pipe shall be pulled home in a straight line with all parts of the pipe on line and grade at all times.) Backfilling of pipe laid with plastic gasket joints may proceed as soon as the joint has been inspected and approved by the Engineer. Special precautions shall be taken in placing and compacting backfill to avoid damage to the joints.

When the atmospheric temperature is below 60 degrees F, plastic joint seal gaskets shall either be stored in an area warmed to above 70 degrees F, or artificially warmed to this temperature in a manner satisfactory to the Engineer. Gaskets shall then be applied to pipe joints immediately prior to placing pipe in the trench, followed by connection to previously laid pipe.

d. Pipe Joints for storm sewers shall be wrapped with geotextile material. The geotextile wrap shall be at least 2 feet wide and shall be centered on each joint.

2. After the pipe has been placed, bedded and jointed as specified, filling and/or backfilling shall be done in accordance with the applicable requirements of Specification Section 022020 "Excavation and Backfill for Utilities." If unstable conditions are encountered, fully encase the pipe with crushed stone as described above. When mortar joints are allowed, no fill or backfill shall be placed until the jointing material has been cured for at least six (6) hours.

Special precautions shall be taken in placing and compacting the backfill to avoid any movement of the pipe or damage to the joints. For side drain culverts and all other culverts where joints consist of materials other than mortar, immediate backfilling will be permitted.

3. Unless otherwise shown on the plans or permitted in writing by the Engineer, no heavy earth moving equipment will be permitted to haul over the structure until a minimum of 4 feet of permanent or temporary compacted fill has been placed thereon. Pipe damaged by the Contractor's equipment shall be removed and replaced by the Contractor at no additional cost.
4. Cleaning and Television Inspection. All enclosed reinforced concrete pipe and manholes installed on this project shall be cleaned and televised in accordance with Specification Section 027611 "Cleaning and Televised Inspection of Conduits."

#### **4. MEASUREMENT**

Unless otherwise specified on the Bid Form, reinforced concrete pipe will be measured by the linear foot. Such measurement will be made between the ends of the pipe barrel along its central axis. Where spurs or branches, or connections to existing pipe lines are involved, measurement of the spur or new connecting pipe will be made from the intersection of its center axis with the outside surfaces of the pipe into which it connects. Where inlets, headwalls, catch basins, manholes, junction chambers, or other structures are included in lines of pipe, that length of pipe tying into the structure wall will be included for measurement but no other portion of the structure length or width will be so included.

For multiple pipes, the measured length will be the sum of the lengths of the barrels measured as prescribed above.

#### **5. PAYMENT**

Payment for reinforced concrete pipe measured as prescribed above will be made at the contract unit price bid per linear foot for the various sizes of "Reinforced Concrete Pipe" of the class specified.

Payment shall be full compensation for furnishing and transporting the pipe; hauling and placing of earth cushion material where required for bedding pipe; for the preparation and shaping of beds; for hauling, placing and jointing of pipes; for furnishing and installing geotextile pipe joint wrapping; for end finish; for all connections to existing and new structures; for cleaning and television inspection; and for all other items of materials, labor, equipment, tools, excavation, backfill and incidentals necessary to complete the culvert or storm sewer in accordance with the plans and these specifications.

This project is a lump sum bid. The work governed by this specification shall not be measured for pay, but shall be subsidiary to the project.

**END OF SECTION**



**SECTION 027404**  
**CONCRETE BOX CULVERTS**

**1. DESCRIPTION**

This specification shall govern all work required for constructing, furnishing, and installing reinforced concrete box culverts required to complete the project.

All reinforced concrete boxes for this project shall be precast concrete in accordance with TxDOT Standards for precast box culverts and the details shown on the drawings for the appropriate height of fill, and design shall conform to ASTM C1577.

Alternate designs of precast boxes will be considered for approval upon submission of shop drawings detailing the box and certifications that the box, as designed, is structurally comparable to or better than the box shown in the contract drawings and is designed to support HS20 loading per ASSHTO M273. The shop drawings and certifications shall be signed and sealed by a Texas registered professional engineer.

**2. MATERIALS**

1. Concrete.

Unless otherwise shown on the plans, Class "C" concrete shall be used for cast-in place boxes, conforming to the requirements of Specification Section 030020

"Portland Cement Concrete" and Specification Section 038000 "Concrete

Structures", except that Class "S" concrete will be required for top slabs of direct traffic cast-in place boxes.

Concrete for precast (machine-made) boxes shall meet the requirements of ASTM C76 Sections: "Cement", "Aggregates" and "Mixture", and shall have a minimum 28-day compressive strength of 5,000 psi.

2. Reinforcement.

Reinforcing steel shall conform to the requirements of Specification Section 032020 "Reinforcing Steel" and the details shown on the plans.

3. Jointing.

Materials for jointing shall conform to the requirements of Specification Section 027402 "Reinforced Concrete Pipe Culverts".

4. Membrane Curing.

Materials for membrane curing shall conform to Specification Section 038000 "Concrete Structures".

5. Geotextile.

Geotextile fabric for wrapping joints shall be Class 1 geotextile for subsurface drainage with an average opening size (AOS) of 0.22mm and in accordance with AASHTO M288.

### **3. FABRICATION**

The requirement of Specification Section 030020 "Portland Cement Concrete" and Specification Section 038000 "Concrete for Structures" shall govern for cast-in-place concrete box culverts and for precast (formed) boxes except where otherwise specified herein. Forms for precast (machine-made) boxes shall be made of steel. Forms for cast-in-place boxes and precast (formed) boxes may be either wood or steel.

Forms shall be mortar-tight and of sufficient strength to prevent excessive bulging or misalignment of adjacent boxes. They shall be constructed to permit their removal without damage to the concrete. Offsets at form joints shall not exceed one-eighth inch (1/8"). Forms shall be clean and free of extraneous matter when concrete is placed.

Positive means of supporting steel cages in place throughout forming and concrete placement shall be required and subject to the approval of the Engineer. Welding of reinforcing steel will be permitted only where shown on the plans. Welding shall be done by a qualified welder and shall conform to industry standards.

Precast (machine-made) boxes shall be cast by a process which will provide for uniform placement of the concrete in the forms and compaction by mechanical devices which will assure dense concrete. Concrete shall be mixed in a central batch plant or other approved batching facility from which the quality and uniformity of the concrete can be assured. Transit mixed concrete shall not be acceptable for use in precast (machine-made) boxes.

### **4. TESTING AND CERTIFICATION**

#### **1. Physical Requirements.**

Precast boxes shall meet the requirement of ASTM C1577. Testing shall be done by a materials engineering testing laboratory which meets the requirements for membership in the American Council of Independent Laboratories.

#### **2. Fabrication Tolerances.**

Precast boxes shall conform to the following tolerances:

When two box sections are fitted together on a flat surface, in proper alignment and in the position they will be installed, the longitudinal opening at any point shall not exceed one inch (1").

Not more than four lifting holes may be provided in each box to facilitate handling. They may be cast-in, cut into the fresh concrete after form removal or drilled, and shall not be more than 2 inches in diameter or 2 inches square. Cutting or displacement of the reinforcement will not be permitted.

Spalled areas around the holes shall be repaired. Concrete boxes shall be given an "Ordinary Surface Finish" in accordance with Section 038000 "Concrete Structures".

#### **3. Certification.**

Certification of quality shall be provided with each delivery of materials to the job site by the manufacturer. Certification shall be a written report by the materials engineering testing laboratory.

#### **4. DEFECTS AND REPAIRS**

Fine cracks or checks on the surface of the member which do not extend to the plane of the nearest reinforcement will not be cause for rejection unless they are numerous and extensive. Cracks which extend into the plane of the reinforcing steel but are acceptable otherwise, shall be repaired in an approved manner.

Small damaged or honeycombed areas which are purely surficial in nature may be repaired. Excessive damage, honeycombing or cracking will be subject to structural review. Repairs shall be sound, properly finished, and cured in conformance with the pertinent specifications. When fine cracks or hairline cracks on the surface indicate poor curing practices, further production of precast boxes shall be discontinued until corrections are made and proper curing provided.

#### **5. CONSTRUCTION METHODS**

Excavation and backfill shall be in accordance with Specification Section 022020 "Excavation and Backfill for Utilities" and contract drawing details for Stormwater. Bedding for precast concrete box culverts located under pavements shall consist of 6 inches of cement-stabilized sand containing a minimum of 1½ sacks of Standard Type I or Type II Portland cement per cubic yard of sand and compacted to not less than 95% Standard Proctor density.

Unless otherwise shown on the plans, the Contractor may use any of the jointing materials, except rubber gaskets, and shall comply with the jointing requirements specified in the Specification Section 027402 "Reinforced Concrete Pipe Culverts".

All box joints shall be wrapped with geotextile fabric. The wrap shall be at least two (2) feet wide and centered on the joints.

Lifting holes shall be filled with mortar or concrete and cured to the satisfaction of the Engineer.

#### **6. MEASUREMENT AND PAYMENT**

Unless otherwise specified on the Bid Form, concrete box culverts shall be measured by the linear foot for each size of box installed. The measurement will be made between the ends of the box along the centerline. For boxes used in the multiple barrel structures, the measured length will be the sum of the lengths of all barrels.

Payment shall be made at the contract bid price and shall fully compensate the Contractor for furnishing, transporting and installing the box culverts; for bedding materials and bed preparation including compaction; for excavation and backfill of trenches; for all connections to existing and new structures; and for all labor, materials, tools, equipment and incidentals required to complete the work as shown on the contract drawings and as specified herein.

This project is a lump sum bid. The work governed by this specification shall not be measured for pay, but shall be subsidiary to the project.

**END OF SECTION**

**SECTION 027610**  
**TELEVISED INSPECTION OF CONDUITS**

**1. SCOPE**

This specification shall govern for all work, equipment, and materials required to provide for remote closed circuit television inspection and documentation of sanitary sewer or other lines as required in the plans and specifications.

**2. INSPECTION CONDITIONS**

Closed circuit television inspection will typically be done under one or more of the conditions listed below, as called for elsewhere in the plans and specifications.

2.1 Inspection and Documentation of Existing Line for Evaluation:

Upon completing cleaning operations on an existing line, a closed circuit television camera will be pulled through each line segment. The intent of this process is to carefully inspect the interior of the existing line and obtain detailed information for further study. The Contractor shall provide the Engineer with a television report log, and a color professional grade VHS format video tape recorded in standard play (SP) mode for each line or line segment inspected. The log shall consist of observations recorded on television inspection forms, and shall specifically indicate items such as deviations in line and grade, abnormal conditions of pipe barrel and joints, locations of dropped or broken taps, and locations and quantities of any sources of infiltration or inflow. The distance from the beginning point, such as a manhole in the case of sanitary sewers, shall be noted on each observation on the report forms.

2.2 Inspection & Documentation of Existing Lines Prior to Rehabilitation:

After point repairs or any problems along the line have been fixed and the line cleaned, a closed circuit television camera will be pulled through each line segment. The intent of this process is to carefully inspect the interior of the existing line to show that the line is in a condition to receive the liner. The Contractor shall provide the Engineer with a television report log, and a color professional grade VHS format video tape recorded in standard play (SP) mode for each line or line segment inspected. The log shall consist of observations recorded on television inspection forms. The distance from the beginning point, such as a manhole in the case of sanitary sewers, shall be noted for each observation made on the report forms.

2.3 Inspection and Documentation of Lines after Rehabilitation:

Upon completion of the rehabilitation (Lining) of an existing line including any appurtenances such as manholes and tie ins in the case of sanitary sewers, a closed circuit television camera shall be pulled through each completed line segment. The intent of this process is to carefully inspect the interior of the rehabilitated line to determine the location and extent of any unacceptable work. The Contractor shall provide the Engineer with a

television report log, and a color professional grade VHS format video tape recorded in standard play (SP) mode for each line or line segment inspected.

This log shall consist of observations recorded on television inspection forms, and shall indicate the internal condition of the rehabilitated line, and more particularly any deficiencies therein. The distance from the beginning point, such as manhole in the case of sanitary sewers, shall be noted for each observation made on report forms.

If a section or sections of line require additional work after the inspection described above, another inspection will be performed on the re-worked section or sections of line to determine if the work is now acceptable. A revised television report log and an updated video tape recording for these re-worked area inspections will also be required and will be furnished to the Engineer by the Contractor. This process will be repeated as required until it has been determined that the entire line is acceptable. Unless directed otherwise by the Engineer, the Contractor will be required to furnish a separate video tape for each inspection made as well as a tape showing the entire length of the completed line in sequence.

#### 2.4 New Line Upon Completion:

Upon completion of the installation of the new line, including any appurtenances such as manholes in the case of sanitary sewers, a closed circuit television camera shall be pulled through each completed line segment. The intent of this process is to carefully inspect the interior of the completed line to determine the location and extent of any unacceptable work. The Contractor shall provide the Engineer with a television computer generated report log, and a color professional grade DVD recorded in standard play (SP) mode for each line or line segment inspected. This log shall consist of observations recorded on television inspection forms, and shall indicate the internal condition of the completed line and more particularly any deficiencies therein. The distance from the beginning point, such as a manhole in the case of sanitary sewers, shall be noted for each observation made on report forms.

If a section or sections of line require additional work after the inspection described above, another inspection will be performed in the re-worked section or sections of line to determine if the work is now acceptable. A revised television report log and an updated video tape recording for these re-worked area inspections will also be required, and will be furnished to the Engineer by the Contractor. This process will be repeated as required until it has been determined that the entire line is acceptable. Unless directed otherwise by the Engineer, the Contractor will be required to furnish a separate DVD for each inspection made as well as a DVD showing the entire length of the completed line in sequence.

### **3. MEASUREMENT AND PAYMENT**

Unless indicated otherwise in the Proposal, this work shall not be measured for payment, and shall be considered subsidiary to the various other bid items in the contract.

**END OF SECTION**

**ATTACHMENT TO 027610 TELEVISED INSPECTION REPORT LOG**

DATE \_\_\_\_\_ TIME PROJECT \_\_\_\_\_  
OPERATOR \_\_\_\_\_ ENTRY POINT \_\_\_\_\_  
\_\_\_\_\_ EXIT POINT \_\_\_\_\_

EXISTING PIPE TYPE \_\_\_\_\_ EXISTING PIPE SIZE \_\_\_\_\_ MANHOLE DEPTH \_\_\_\_\_  
TAPE NUMBER \_\_\_\_\_ STARTING COUNTER \_\_\_\_\_

CAMERA STARTING FOOTAGE COMMENTS

CAMERA FOOTAGE (DISTANCE FROM ENTRY POINT)	OBSERVATION / COMMENTS

**SECTION 027611**  
**CLEANING AND TELEVISED INSPECTION OF CONDUITS**

**1. SCOPE**

This specification shall govern for all work, equipment, supervision and materials required to provide for cleaning and remote CCTV inspection and documentation of wastewater or other lines and manholes as required.

**2. TECHNICAL REQUIREMENTS**

2.1 GENERAL

Closed circuit television inspection will typically be done under one or more of the conditions listed below. Requirements for on-screen labeling during each line segment set up, televising, video file labeling and hard copy inspection reports will be specifically addressed. The Contractor shall neither request nor receive assistance from the City, in the performance of work described in this specification. Unless otherwise specified and at Contractors expense, the Contractor shall provide for the control of wastewater flows and monitoring of the collection system for back-ups and surcharges, while flow control devices are in place.

It shall be the responsibility of the Contractor(s) to adhere to all applicable OSHA rules and regulations while performing any and all City-related projects or jobs (to include, but not necessarily limited to "Confined Space Entry").

2.2 INSPECTION EQUIPMENT AND METHODS

Electronic media shall be used to record the condition of all the segments of the mains and the manholes, tap locations and unusual situations during inspection. The inspection imaging shall be made on color professional grade DVD format for each line segment. All observations will require both audio and on-screen display. The camera shall transit through the wastewater line in either direction at a speed not greater than 30 feet per minute, stopping as necessary to permit proper documentation of the wastewater line's condition. Lighting for the camera shall be suitable to allow a clear picture of the entire periphery of the pipe. A television camera with pan and tilt capability will be required. The camera, television monitor, and other components of the video systems shall be capable of producing picture quality to the satisfaction of the City.

The capture system shall have the capability of recording, digitizing and storing single frames of video images and "real time" live video, as well as collecting, storing and printing wastewater line inspection data for graphic display and report generation. The imaging capture system shall store digitized picture images, have the ability to export picture files to industry standard formats (jpg, bmp, and tif), be transferable to DVD and be printed at no cost to the City. Use of proprietary software is discouraged; however, if the Contractor provides the software and three licenses to the City, proprietary software COMPATIBLE with the City's GIS and existing database systems in use may be approved. However, in every case all observations will be recorded using the City approved PACP codes.

2.3 FLOW CONTROL / BY-PASSING

This procedure will be used on all previously accepted (City owned) line segments. Except for new wastewater line acceptance inspections, the line shall be dewatered during inspection. A water jet cleaning unit will normally be running in the line in advance of the television camera to allow the highest quality picture available. Dewatering shall remove standing water and fog from the line segment to provide 360 degree view of the pipe being televised. Too high water level or the camera being submerged will be grounds for rejection of the inspection.

All wastewater flows from intersecting lines shall typically be controlled through the use of in-line plugs for vacuum trucks and are considered subsidiary to the inspection for all line sizes. Plugs in intersecting lines shall be installed by the Contractor with no assistance from the City. The Contractor shall also monitor the upstream system for back-ups and surcharges, which may lead to Sanitary Sewer Overflows (SSOs). The Contractor shall immediately report to the City Call Center (361) 826-2489 all sanitary sewer overflows. Flow Control devices shall be installed in accordance with all applicable OSHA requirements, including, but not necessarily limited to confined space protocol.

#### 2.4 EVALUATION OF EXISTING LINES FOR POTENTIAL REPAIRS/REHABILITATION – PRE CCTV:

Cleaning and televising using a CCTV camera may be needed to traverse each line segment from manhole to manhole as specified in the work order. When an obstruction prevents the camera from proceeding, the obstruction will be recorded on the initial setup and a reverse setup will be attempted to view the pipe and obstruction from the other side. If the camera fails to pass through the entire section, the inspection shall be considered complete and no additional inspection will be required. However, the line segment evaluation form, as well as the graphic report, shall note full line length and the length traveled from each manhole set-up. All inspection efforts on the line segment will be recorded on the same tape / disk. The Contractor must exert all reasonable effort to televise the entire length of a segment of wastewater line, or to assist the repair crews with usable information for point repair. Prior to transiting the line the video display initially is to include upstream and downstream manhole numbers, pipe size / material, adjacent street names and the date. During the transit the display must show the continuous distance from the insertion manhole with an accuracy of +1% of the actual length to help mark observations on the report form. The video must have narrative documentation of notable observations. The Inspection Report shall consist of condition observations recorded using City-approved computer software generated formats, generally conforming to NASSCO and PACP codes. Specifically, items considered notable include: deviations in alignment and grade; abnormal conditions of the pipe barrel and joints; locations and quantities of any sources of infiltration or inflow; dropped, broken, properly / improperly installed service taps; debris, roots or other impediments to flow and any other condition that may prevent either the proper completion of the inspection, or affect any proposed rehabilitation process. Evaluation of existing lines includes associated manhole inspection.

#### 2.5 EVALUATION AFTER REPAIRS / REHABILITATION POST CCTV:

Following repairs or rehabilitation to existing lines (by Contractor), a CCTV camera shall travel through required line segment to televise. The intent of this process is to inspect the interior of the line to determine the location of repairs, and extent of any unacceptable work. Prior to transiting the line, the video display initially is to include upstream and downstream manhole numbers, pipe size / material,



adjacent street names and the date. During the transit the display must show the continuous distance from the insertion manhole with an accuracy of +/- 1% of the actual length to help mark observations on the report form. Specifically, items such as detailed inspection of the repaired area using pan-and tilt equipment will be shown in the Inspection Report, including digital photographs of acceptable or inadequate and/or questionable work. The video must include narrative documentation of notable observations, and be cross referenced to the Inspection Report. The Inspection Report shall consist of condition observations recorded using City-approved computer-software generated formats conforming to NASSCO and PACP codes.

## 2.6 NEW PIPELINE INSPECTION:

Upon completion of the installation of new lines, including any appurtenances such as manholes, service connections, etc., a CCTV camera shall traverse through each completed line segment. The intent of this process is to inspect the interior of the completed line to determine the location of service taps and extent of omissions and/or any unacceptable work on the pipeline or manholes, such as sags, infiltration, gapped joints, protruding gaskets, etc. Prior to transiting the line, the initial video shall initially include the upstream and downstream manhole designations, pipe size, project name and other pertinent information. When inspecting / documenting new wastewater line conditions, the Contractor must conduct a specific inspection for the presence of sags in the newly installed line. The approved method involves the use of an inclinometer on the camera. The belly tolerance is 5% or less for acceptable pipe installation. Any deviation from the 5% belly tolerance limit must be approved by the applicable Utility Operating Department.

The graphic report will note the start and stop of sags and approximate maximum depth. During the transit the display must show the continuous distance from the insertion manhole with an accuracy of +1% of the actual length to help mark observations on the Inspection Report form. The video must include narrative documentation of notable observations, and be cross referenced to the Inspection Report. The Inspection Report shall consist of condition observations recorded using approved computer-software generated formats. Specifically, items such as deviations in alignment and grade causing bellies / sags; abnormal conditions of the pipe barrel and joints; locations and quantities of any sources of infiltration or inflow; dropped, broken, properly / improperly installed service taps or any other condition that may assist the Utilities Department in determining the quality of the pipeline installation.

## 2.7 MANHOLE INSPECTION:

A CCTV camera shall traverse the manhole from top to bottom to record the condition of the manhole and invert for structural condition and sources of infiltration on the manhole and invert. The initial video display must show the entry manhole number, location / street address, date and depth.

a. The requirement is to commence capturing video at ground level. The video must be steady while panning and lowering to clearly record condition of the ring, corbel, the walls, and pipeline penetrations. The camera is to rotate during descent to inspect typical conditions and all penetrations. At the bottom of the manhole the complete invert will be inspected / viewed for infiltration and general condition. A washed out picture due to sunlight or shaking will be rejected for payment

b. This manhole information may be retained on the same DVD if the line segment is also being investigated, or, if inspection is issued as a separate work order, a separate DVD and report will be required. As with pipeline inspection, digital photographs of key points of note must accompany the report and DVD. These would include seals on pipeline penetration, infiltration locations and other anomalies.

c. The format of the Manhole Inspection Report will be as proposed by the Contractor and, following discussion, mutually approved by the Utilities Department and the Contractor. A sample form is included at the end of this specification. It will contain as a minimum:

location & I.D.number	manhole diameter
manhole material	depth of manhole
condition of ring / cover	evidence of infiltration
condition of walls	presence of inflow inhibitor
condition of pipe mouths	presence of coatings
condition of invert	location: street / easement
above invert penetrations	

#### 2.8 CCTV SET-UP:

a. A CCTV set-up includes all of the work, equipment, supervision, personnel, and materials needed to traverse a line segment.

#### 2.9 CCTV REVERSE SET-UP:

A CCTV reverse set-up is an attempt to view the line segment from the other side due to an obstruction encountered during the initial set-up.

### **3. CLEANING REQUIREMENTS**

Clean ALL debris such as dirt, gravel, rocks, grease, roots and other organic/inorganic debris from existing lines and manholes to allow for inspection to proceed.

The Contractor will be required to clean the line segment using hydraulic equipment. The debris being removed from the pipeline shall be removed from the collection system at the receiving manhole, and not be allowed to be merely moved to the next line segment. Debris shall be properly disposed of in accordance with local, state and federal regulations. The Contractor shall have the option of dewatering debris removed from cleaning operations on this project at the Greenwood WWTP, located at 1541 Saratoga Blvd., Corpus Christi, Texas 78415. The Contractor shall coordinate with the City Utilities Department at all times (see also City Standard Specification Section 027604 Disposal of Waste from Wastewater Cleaning Operations).

The City has six drying beds, each with a 1-foot high containment wall each with an area of about 2,300 square feet. The Contractor would be required to haul and handle the material to, at and from the facility as well as the restoration of drying beds. Restoration of the drying beds includes the removal of all the de-watered material and the replacement of the existing sand bed with new sand. All work required within the treatment plant, including the replacement of sand shall be in accordance with the requirements set forth by the Plant Supervisor. The use of the drying beds would be subject to prior approval of the facility and the associated de-watering fees.

If the City’s facilities are used for de-watering or disposal of waste, the Contractor shall be responsible for making contact with the appropriate Solid Waste or Wastewater Officials or both, making all arrangements for the use of City facilities, scheduling of delivery and pickup, etc. Materials and handling operations shall meet the requirements set forth by said Officials. Contractor shall coordinate with the Wastewater Pre-Treatment Coordinator to acquire the appropriate manifest documentation and shall also provide a copy of the landfill disposal weight ticket/receipt to the Engineer. Failure to meet these requirements shall be cause for rejection of the materials by either the landfill or the treatment plant operations. Proper disposal of this waste shall be responsibility of the Contractor. The Contractor shall provide the Engineer with written documentation of the proper disposal of this waste. The Contractor shall not be paid until this documentation is provided.

**4. DELIVERABLES**

The Contractor is required to provide the Engineer both narrated CCTV DVD and computer software-generated Inspection Report products, as a result of each inspection. Acceptable submissions become the property of the City.

a. Quality Control: camera distortion, inadequate lighting, dirty or submerged lens and blurry or hazy pictures determined to be the fault of the Contractor will be cause for rejection of the inspection effort. If the quality of the deliverables does not meet with City approval, the Contractor shall repeat the documenting process at no cost to the City.

b. DVD: for each inspection, one properly labeled color, professional grade, DVD, recorded in standard play (SP) mode, will be required. The DVD will display continuous distance from the insertion manhole, and include narrative observations at notable points, with correlating information shown in the Inspection Report. Labeling of the DVD(s) will include, either typed or neatly printed the following information on the dust cover:

Project Name	Street Name	Tape Number
Contractor	Upstream MH #	Downstream MH #
Date	Survey / Post / New Work	Order #
Pipe Size	Material	Project #

c. Inspection Reports: inspection reports are to be from City-approved and software-generated formats on 8½” x 11” paper, in color to improve definition of problem areas, and delivered with the DVD. Each report shall include the same information as noted for the DVD labels, plus the following additional information: pipe diameter, pipe material, manhole diameters & depths, whether this is a “reverse” set-up, direction of flow arrow, and total length of the pipeline. Notable observations are to be shown in the report as digital color photos, with up to four images per page. One report is required for each line segment. Note that the final approval for the use of the Contractor’s proposed software will be needed before the first inspection. The Contractor shall submit to the City a sample of the proposed report for review and approval by the City.

## **5. MEASUREMENT AND PAYMENT**

Unless otherwise specified on the Proposal, Pre-CCTV (Cleaning and Televised Inspection of existing lines to potentially be rehabilitated) and Post CCTV (Televised Inspection for acceptance of new lines or rehabbed lines) of Wastewater Lines shall not be measured for pay, but will be considered subsidiary to the appropriate bid item. Cleaning and Televised Inspection of Wastewater Lines includes an inspection of all manholes entered, crossed, or associated with the line being inspected. Reverse CCTV Set-Up shall not be allowed for acceptance televising as obstructions should not be encountered in new pipe that would require the Contractor to relocate to another manhole (upstream or downstream) of the original manhole.

**END OF SECTION**

**SECTION 028020**

**SEEDING**

**1. DESCRIPTION**

This specification shall govern all work necessary for tilling, fertilizing, planting seeds, mulching, watering and maintaining vegetation required to complete the project.

**2. MATERIALS**

**2.1 FERTILIZER**

All fertilizer shall be delivered in bags or clearly marked containers showing the analysis, name, trademark and warranty. The fertilizer is subject to testing by the State Chemist in accordance with the Texas fertilizer law. Fertilizer shall have an analysis of 12-12-12 (percent of nitrogen, phosphoric acid and potash) as determined by the Association of Official Agricultural Chemists. Fertilizer shall be free flowing and uniform in composition.

**2.2 SEED**

Seed shall be labeled and meet the requirements of the Texas Seed Law. Labels shall indicate purity, germination, name and type of seed. Seed furnished shall be of the previous season's crop, and the date of analysis shown on each bag shall be within twelve months of delivery to the project.

The quantity of "Commercial Seed" required to equal the quantity of "Pure Live Seed" shall be computed by the following formula:

$$\text{Commercial Seed} = \text{Pure Live Seed} \times \frac{10,000}{\% \text{ Purity} \times \% \text{ Germination}}$$

The quantity of pure live seed and type required are indicated below. Mixture A or C shall be used for this project, depending on the time of the year planting is performed.

<u>COMMON NAME</u>	<u>SCIENTIFIC NAME</u>	<u>LB/ACRE OF PURE LIVE SEED</u>		
		<u>FOR MIXTURES</u>		
		<u>A</u>	<u>B</u>	<u>C</u>
Green Sprangletop	Leptochloa Dubia	1.4	1.4	-
Sideoats Grama (premier)	Bouteloua Curtipendula	0.6	-	0.6
Bermudagrass (Hulled)	Cynodon Dactylon	7.0	7.4	-
Bermudagrass (Unhulled)	Cynodon Dactylon	-	-	30.0
K-R Bluestem	Andropogon Ischaemum	1.2	1.2	1.5
Buffalograss	Buchloe Dactyloides	-	4.2	-
Annual Ryegrass	Lolium Multiflorum	5.0	5.0	20.0

- Mixture - A: Recommended for clay or tight soil planted between December 1 thru May 1.
- Mixture - B: Recommended for sandy soil planted between December 1 thru May 1.
- Mixture - C: Recommended for all soils planted between May 2 thru November 30.

**2.3 MULCH**

Mulch shall be either the straw type or wood cellulose fiber type.

Straw Type mulch shall be of straw from stalks of domestic grain, Bermudagrass or cotton hulls, or other

approved by the Engineer.

Wood Cellulose Fiber Type- mulch shall have no growth inhibiting ingredients and shall be dried with a moisture content less than 10% by weight. Fibers shall be dyed an appropriate color to facilitate visual metering and application of mulch. The cellulose fiber shall be manufactured so that after addition and agitation in slurry tank with fertilizers, seeds and other approved additives, the fibers in the material will become uniformly suspended to form a homogeneous slurry; when sprayed on the ground, the material shall form a uniform cover impregnated with seeds; the cover shall allow added water to percolate to the underlying soil. The fiber material shall be supplied in packages of not more than 100 lb. gross weight and shall be marked by the manufacturer to indicate the dry weight content.

2.4 **EQUIPMENT:** The fertilizing, seeding and/or mulching operations shall be accomplished with equipment suitable to the required function. It shall be of current design and in good operating condition. Special seeding and mulching equipment must also meet the following requirements:

Seeder - Equipment for applying a seed-fertilizer mix shall be a hydraulic seeder designed to pump and discharge a waterborne, homogeneous slurry of seed and fertilizer. The seeder shall be equipped with a power-driven agitator and capable of pressure discharge.

Straw Mulch Spreader - Equipment used for straw mulch application shall be trailer mounted, equipped with a blower capable of 2000 r.p.m. operation, and that will discharge straw mulch material through a discharge boom with spout at speeds up to 220 feet per second. The mulch spreader shall be equipped with an asphalt supply and application system near the discharge end of the boom spout. The system shall apply asphalt adhesive in atomize form to the straw at a predetermined rate. The spreader shall be capable of blowing the asphalt-coated mulch, with a high velocity airstream, over the surface at a uniform rate, forming a porous, stable erosion-resistant cover.

Wood Cellulose Fiber Mulch Spreader - Equipment used for this application of fertilizer, seeds, wood pulp, water and other additives shall have a built-in agitation system with sufficient capacity to agitate, suspend and homogeneously mix a slurry containing up to 40 lbs. of fiber plus the required fertilizer solids for each 100 gallons of water. It shall have sufficient agitation and pump capacity to spray a slurry in a uniform coat over the area to be mulched.

### **3. CONSTRUCTION METHODS**

#### **3.1 PREPARATION OF SEEDBED**

The area to be treated along with requirements for seed, fertilizer and other treatments, shall be done as indicated on the drawings and as specified below.

Clearing – Refer to Standard Specification Section 021020, "Site Clearing and Stripping".

Grading - Refer to Standard Specification Section 021040, "Site Grading".

Tilling - The area to be seeded shall be tilled to a depth of 4 to 6 inches by disking, plowing, or other approved methods until soil condition is acceptable.

#### **3.2 FERTILIZING**

Fertilizer shall be uniformly applied at a rate of 400 lb/acre, after tilling. Fertilizing and seeding shall be done concurrently. If seeds and fertilizer are distributed in a water slurry, the mixture shall be applied to the area to be seeded within 30 minutes after all the components have come into contact.

### 3.3 SEEDING

The seed mixture shall be uniformly distributed at the rate specified above.

Broadcast Seeding - Seed shall be placed with fertilizer, after tilling. After planting, the area shall be rolled on contour with a corrugated roller.

Straw Mulch Seeding - Seed shall be placed with fertilizer, after tilling. After placement of the seed and fertilizer mixture, straw mulch shall be uniformly placed at a rate of 2 tons per acre. As soon as the mulch has been spread, it shall be anchored to the soil a minimum depth of 3 inches by use of a heavy, dulled disk harrow, set nearly straight. Disks shall be set approximately 9 inches apart.

Straw Mulch with Asphalt Seeding - Seed, fertilizer and straw mulch shall be placed as described in "Straw Mulch Seeding" with the following two exceptions: 1) An asphalt-water emulsion shall be applied to the mulch near the discharge end of the boom spout at a rate of 300 to 600 gallons per acre. 2) Mechanical anchoring by disking will not be required.

Asphalt Mulch Seeding - The seed and fertilizer shall be placed as described for "Broadcast Seeding". After the area has been rolled, the area shall be watered sufficiently to assure a uniform moisture to a minimum depth of 4 inches. An asphalt-water emulsion shall be applied at a rate of 1500 to 1800 gallons per acre, immediately after watering. Asphalt shall be applied to the area in such a manner that a complete film is obtained and the finished surface shall be comparatively smooth.

Wood Cellulose Fiber Mulch Seeding - After tilling, mulch shall be applied. Wood cellulose fibers shall be added to the hydraulic seeder after the proportionate amounts of seed, fertilizer, water and other approved materials are added. Application shall be 1500 lb./acre on flats, 2000 lb./acre on slopes up to 3:1, and 2500 lb./acre on slopes steeper than 3:1. One hundred (100) pounds of fiber per acre shall be used when asphalt is to be applied over cellulose mulch. The mulch shall provide a uniform cover over the soil surface.

Asphalt Over Wood Cellulose Fiber Mulch Seeding - "Wood Cellulose Fiber Mulch Seeding" shall be done as described above. After mulch has been placed, an asphalt-water emulsion shall be uniformly spread over the mulch at a rate of 1200 gallons per acre.

### 3.4 MAINTENANCE

The Contractor shall water, repair and reseed areas as required for a period of 45 days or until growth has been established, whichever is longer. This includes erosion damage. Maintenance does not include mowing or weed control, unless indicated on the plans. If at any time the seeded area becomes gullied or otherwise damaged, or the seeds have been damaged or destroyed, the affected portion shall be re-established to the specified condition prior to acceptance of the work.

### 3.5 GUARANTEE

The Contractor shall assure 95% of the seeded area has established growth at 45 calendar days after seeding, unless indicated otherwise on the drawings. Where established, growth is defined as at least one plant per square foot with no bare spots larger than ten (10) square feet.

## **4. MEASUREMENT AND PAYMENT**

This project is a lump sum bid. The work governed by this specification shall not be measured for pay, but shall be subsidiary to the project.

**END OF SECTION**

**SECTION 028040**  
**SODDING**

**1. DESCRIPTION**

This specification shall govern all work necessary for furnishing and placing sod as required to complete the project.

**2. MATERIALS**

**Fertilizer:** All fertilizer used shall be delivered in bags or containers with clearly marked analysis. A granulated fertilizer shall be used with an analysis of 10-20-10. These figures represent the percent of nitrogen, phosphoric acid, and potash nutrients respectively, as determined by the methods of the Association of Official Agricultural Chemists. The rate of application shall be not less than 350 lb\acre (7.23 lb per 100 s.y). In the event that is necessary substitute a fertilizer with a different analysis, it shall be granulated fertilizer with a lower concentration. The total nutrients applied per unit area shall not be less that the specified amount of each nutrient.

**Sod:** Sod shall consist of live Bermuda grass with thickly matted roots throughout the soil and with a minimum thickness of 3 inches or .25 feet, or live St. Augustine with thickly matted roots throughout the soil with a minimum thickness of 1 inch or .08 feet. The Contractor shall not use sod where grass is thinned out. Grass shall be mowed and raked to remove all weeds and long stems prior to extraction at source. Sod and soil shall be kept moist at all times during sodding process. Care must be taken at all times to retain native soil on the root system.

**Water:** Water shall be free from oils, acids, alkalies, and salts which may inhibit grass growth. Unless indicated otherwise on the drawings, water shall be provided by the City and shall be transported and applied by the Contractor.

**3. CONSTRUCTION METHODS:**

**Spot Sodding:** Prior to planting, the area to be sodded shall be graded and shaped. Squares of sod with a minimum width of 3 inches shall be planted in rows on 15 inch centers in both directions. Sod shall be placed so that lit is firmly against the bottom of the hole; the top of the sod shall not be more than 2 inches below finished grade. Soil shall be firmly against all sides of the sod. Soil shall not be allowed to cover the sod except for soil incidental to raking, provided that the quantity of soil is not enough to hinder the growth. Areas to be spot sodded shall be indicated on the drawing or as directed by the Engineer in field. After sod has been planted, the area shall be fertilized and watered.

**Block Sodding:** Prior to planting, the area to be sodded shall be graded and shaped. Sod blocks shall be uniformly placed over the prepared area. The sodded area shall then be fertilized and watered. After the area is sufficiently dry, the area shall be rolled or tamped on form a thoroughly compacted mat. Any voids in the mats shall be filled with additional sod and tamped. If, in the opinion of the Engineer, sloped may cause displacement, areas



to be block sodded shall be indicated on the drawings or as directed by the Engineer in the field.

Mulch Sodding: The sod source shall be disked in two directions cutting the sod thoroughly to a depth of not less than 4 inches or more than 10 inches, being careful to avoid having soil containing no grass roots. The disked sod may be windrowed, or otherwise handled in a manner satisfactory to the Engineer. The material shall be rejected if not kept in a moist condition.

Prior to placing mulch sod, the cut slopes shall be scarified by plowing furrows 4 inches to 6 inches deep along horizontal slope lines at 2-foot vertical intervals. Excavated material from the furrows shall not protrude more than 3 inches above the original surface of the cut. Fertilizer shall be distributed uniformly over the area. The sod shall then be dumped upon the prepared area and spread uniformly to the required approximate thickness shown on plans.

Any section not true to lines and cross sections shall be remedied by the addition of sod material. After the sod material has been spread and shaped, it shall be compacted with a corrugated roller of the "Cultipacker" type. All rolling of slope areas shall be on the contour. The area to be mulch sodded shall be indicated on the drawings or as directed by the Engineer in the field.

#### **4. MEASUREMENT & PAYMENT**

Unless indicated otherwise in the Proposal Sodding shall be measured by the square yard taken in a horizontal plan. Measurement of the Mulch Sodding shall be by the cubic yard of mulch delivered to place of planting. These items shall include but not be limited to: excavation, transporting, storing, and placing of sod; application of fertilizer and water.

**END OF SECTION**

**SECTION 028200**  
**MAILBOX RELOCATION**

**1. DESCRIPTION**

This specification shall govern all work for relocation of mail boxes required to complete the project.

**2. REQUIREMENTS**

Where mail is delivered to residents by means of roadside mail boxes, the Contractor shall maintain access to these mail boxes throughout the course of construction. Due to the existing location of mail boxes, the Contractor shall, in some cases, be required to move the boxes to temporary locations. Upon completion of construction, the Contractor shall be required to erect the moved mail boxes to a permanent location. Any materials or labor required for either the temporary or permanent move shall be considered subsidiary, and no direct payment shall be made.

It is the intent of this item to provide the residents with mail box facilities at least equal to or better than those existing prior to construction.

In all cases, the temporary and permanent locations of all moved mail boxes shall be in accordance with U. S. Postal Service requirements with regard to height, distance from roadway, accessibility, etc. It shall be the Contractor's responsibility to contact the U. S. Postal Service and gather information as to their requirements.

**3. MEASUREMENT AND PAYMENT**

Unless included in the proposal as a bid item, all work and materials required for relocation of mail boxes shall not be measured for pay but will be considered to other work.

**END OF SECTION**

**SECTION 030020**  
**PORTLAND CEMENT CONCRETE**

**1. DESCRIPTION**

This specification shall govern for the materials used; for the storing and handling of materials; and for the proportioning and mixing of concrete for culverts, manholes, inlets, curb and gutter, sidewalks, driveways, curb ramps, headwalls and wingwalls, riprap, and incidental concrete construction.

The concrete shall be composed of Portland cement, aggregates (fine and coarse), admixtures if desired or required, and water, proportioned and mixed as hereinafter provided.

**2. MATERIALS**

**2.1 CEMENT**

The cement shall be either Type I, II or III Portland cement conforming to ASTM Designation: C150, modified as follows:

Unless otherwise specified by the Engineer, the specific surface area of Type I and II cements shall not exceed 2000 square centimeters per gram (Wagner Turbidimeter – TxDOT Test Method Tex-310-D). For concrete piling, the above limit on specific surface area is waived for Type II cement only. The Contractor shall furnish the Engineer, with each shipment, a statement as to the specific surface area of the cement expressed in square centimeters per gram.

For cement strength requirements, either the flexural or compressive test may be used.

Either Type I or II cement shall be used unless Type II is specified on the plans. Except when Type II is specified on the plans, Type III cement may be used when the anticipated air temperature for the succeeding 12 hours will not exceed 60°F. Type III cement may be used in all precast prestressed concrete, except in piling when Type II cement is required for substructure concrete.

Different types of cement may be used in the same structure, but all cement used in any one monolithic placement shall be of the same type and brand. Only one brand of each type will be permitted in any one structure unless otherwise authorized by the Engineer.

Cement may be delivered in bulk where adequate bin storage is provided. All other cement shall be delivered in bags marked plainly with the name of the manufacturer and the type of cement. Similar information shall be provided in the bills of lading accompanying each shipment of packaged or bulk cement. Bags shall contain 94 pounds net. All bags shall be in good condition at time of delivery.

All cement shall be properly protected against dampness. No caked cement will be accepted.

Cement remaining in storage for a prolonged period of time may be retested and rejected if it fails to conform to any of the requirements of these specifications.

## 2.2 MIXING WATER

Water for use in concrete and for curing shall be free from oils, acids, organic matter or other deleterious substances and shall not contain more than 1000 parts per million of chlorides as CL nor more than 1000 parts per million of sulfates as  $SO_4$ .

Water from municipal supplies approved by the State Health Department will not require testing, but water from other sources will be sampled and tested before use in structural concrete.

Tests shall be made in accordance with the "Method of Test for Quality of Water to be Used in Concrete" (AASHTO Method T26), except where such methods are in conflict with provisions of this specification.

## 2.3 COARSE AGGREGATE

Coarse aggregate shall consist of durable particles of gravel, crushed blast furnace slag, crushed stone, or combinations thereof; free from frozen material or injurious amount of salt, alkali, vegetable matter, or other objectionable material either free or as an adherent coating; and its quality shall be reasonably uniform throughout. It shall not contain more than 0.25 percent by weight of clay lumps, nor more than 1.0 percent by weight of shale, nor more than 5 percent by weight of laminated and/or friable particles when tested in accordance with TxDOT Test Method Tex-413-A. It shall have a wear of not more than 40 percent when tested in accordance with TxDOT Test Method Tex-410-A.

Unless otherwise specified on the plans, coarse aggregate will be subjected to five cycles of the soundness test in accordance with TxDOT Test Method Tex-411-A. The loss shall not be greater than 12 percent when sodium sulfate is used, or 18 percent when magnesium sulfate is used.

Permissible sizes of aggregate shall be governed by Table 4 and Table 1, except that when exposed aggregate surfaces are required, coarse aggregate gradation will be as specified on the plans.

When tested by approved methods, the coarse aggregate, including combinations of aggregates when used, shall conform to the grading requirements shown in Table 1.

TABLE 1  
Coarse Aggregate Gradation Chart

Aggregate Grade No.	Nominal Size	Percent Retained on Each Sieve								
		2-½ In.	2 In.	1-½ In.	1 In.	¾ In.	½ In.	⅜ In.	No. 4	No. 8
1	2 in.	0	0 to 20	15 to 50		60 to 80			95 to 100	
2 (467)*	1-½ in.		0	0 to 5		30 to 65		70 to 90	95 to 100	
4 (57)*	1 in.			0	0 to 5		40 to 75		90 to 100	95 to 100
8	¾ in.						0	0 to 5	35 to 80	90 to 100

\*Numbers in parenthesis indicate conformance with ASTM C33.

The aggregate shall be washed. The Loss by Decantation (TxDOT Test Method Tex-406-A) plus the allowable weight of clay lumps, shall not exceed one percent, or the value shown on the plans, whichever is smaller.

#### 2.4 FINE AGGREGATE

Fine aggregate shall consist of clean, hard, durable and uncoated particles of natural or manufactured sand or a combination thereof, with or without a mineral filler. It shall be free from frozen material or injurious amounts of salt, alkali, vegetable matter or other objectionable material and it shall not contain more than 0.5 percent by weight of clay lumps. When subjected to the color test for organic impurities (TxDOT Test Method Tex-408-A), it shall not show a color darker than standard.

The fine aggregate shall produce a mortar having a tensile strength equal to or greater than that of Ottawa sand mortar when tested in accordance with TxDOT Test Method Tex-317-D.

Where manufactured sand is used in lieu of natural sand for slab concrete subject to direct traffic, the acid insoluble residue of the fine aggregate shall be not less than 28 percent by weight when tested in accordance with TxDOT Test Method Tex-612-J.

When tested by approved methods, the fine aggregate or combination of aggregates, including mineral filler, shall conform to the grading requirements shown in Table 2.

TABLE 2  
Fine Aggregate Gradation Chart

<u>Aggregate Grade No.</u>	<u>Percent Retained on Each Sieve</u>							
	<u>3/8 In.</u>	<u>No. 4</u>	<u>No. 8</u>	<u>No. 16</u>	<u>No. 30</u>	<u>No. 50</u>	<u>No. 100</u>	<u>No. 200</u>
1	0	0 to 5	0 to 20	15 to 50	35 to 75	70 to 90	90 to 100	97 to 100

**NOTE 1:** Where manufactured sand is used in lieu of natural sand, the percent retained on the No. 200 sieve shall be 94 to 100.

**NOTE 2:** Where the sand equivalent value is greater than 85, the retainage on the No. 50 sieve may be 70 to 94 percent.

Fine aggregate will be subjected to the Sand Equivalent Test (TxDOT Test Method Tex-203-F). The sand equivalent shall not be less than 80 nor less than the value shown on the plans, whichever is greater.

For concrete Classes 'A' and 'C', the fineness modulus as defined below for fine aggregates shall be between 2.30 and 3.10.

The fineness modulus will be determined by adding the percentages by weight retained on the following sieves, and dividing by 100; Nos. 4, 8, 16, 30, 50 and 100.

## 2.5 MINERAL FILLER

Mineral filler shall consist of stone dust, clean crushed sand, or other approved inert material.

## 2.6 MORTAR (GROUT)

Mortar for repair of concrete shall consist of 1-part cement, 2-parts finely graded sand, and enough water to make the mixture plastic. When required to prevent color difference, white cement shall be added to produce the color required. When required by the Engineer, latex adhesive shall be added to the mortar.

## 2.7 ADMIXTURES

Calcium Chloride will not be permitted. Unless otherwise noted, air-entraining, retarding and water-reducing admixtures may be used in all concrete and shall conform to the following requirements:

A "water-reducing, retarding admixture" is defined as a material which, when added to a concrete mixture in the correct quantity, will reduce the quantity of mixing water required to produce concrete of a given consistency and will retard the initial set of the concrete.

A "water-reducing admixture" is defined as a material which, when added to a concrete mixture in the correct quantity, will reduce the quantity of mixing water required to produce concrete of a given consistency.

- (a) Retarding and Water-Reducing Admixtures. The admixture shall meet the requirements for Type A and Type D admixture as specified in ASTM Designation: C494, modified as follows:

- (1) The water-reducing retarder shall retard the initial set of the concrete a minimum of 2 hours and a maximum of 4 hours, at a specified dosage rate, at a temperature of 90°F.
- (2) The cement used in any series of tests shall be either the cement proposed for specific work or a "reference" Type I cement from one mill.
- (3) Unless otherwise noted on the plans, the minimum relative durability factor shall be 80.

The air-entraining admixture used in the referenced and test concrete shall be neutralized Vinsol resin.

(b) Air-Entraining Admixture. The admixture shall meet the requirements of ASTM Designation: C260, modified as follows:

- (1) The cement used in any series of tests shall be either the cement proposed for specific work or a "reference" Type I cement from one mill.
- (2) Unless otherwise noted on the plans, the minimum relative durability factor shall be 80.

The air-entraining admixture used in the referenced concrete shall be neutralized Vinsol resin.

### **3. STORAGE OF CEMENT**

All cement shall be stored in well-ventilated weatherproof buildings or approved bins, which will protect it from dampness or absorption of moisture. Storage facilities shall be ample, and each shipment of packaged cement shall be kept separated to provide easy access for identification and inspection.

The Engineer may permit small quantities of sacked cement to be stored in the open for a maximum of 48 hours on a raised platform and under waterproof covering.

### **4. STORAGE OF AGGREGATE**

The method of handling and storing concrete aggregate shall prevent contamination with foreign materials. If the aggregates are stored on the ground, the sites for the stockpiles shall be clear of all vegetation and level. The bottom layer of aggregate shall not be disturbed or used without recleaning.

When conditions require the use of two or more sizes of aggregates, they shall be separated to prevent intermixing. Where space is limited, stockpiles shall be separated by physical barriers.

Methods of handling aggregates during stockpiling and subsequent use shall be such that segregation will be minimized.

Unless otherwise authorized by the Engineer, all aggregate shall be stockpiled at least 24 hours to reduce the free moisture content.

## **5. MEASUREMENT OF MATERIALS**

The measurement of the materials, except water, used in batches of concrete, shall be by weight. The fine aggregate, coarse aggregate and mineral filler shall be weighed separately. Where bulk cement is used, it shall be weighed separately, but batch weighing of sacked cement will not be required. Where sacked cement is used, the quantities of material per batch shall be based upon using full bags of cement. Batches involving the use of fractional bags will not be permitted.

Allowance shall be made for the water content in the aggregates.

Bags of cement varying more than 3 percent from the specified weight of 94 pounds may be rejected, and when the average weight per bag in any shipment, as determined by weighing 50 bags taken at random, is less than the net weight specified, the entire shipment may be rejected. If the shipment is accepted, the Engineer will adjust the concrete mix to a net weight per bag fixed by an average of all individual weights which are less than the average weight determined from the total number weighed.

## **6. CLASSIFICATION AND MIX DESIGN**

It shall be the responsibility of the Contractor to furnish the mix design, using a coarse aggregate factor acceptable to the Engineer, for the class(es) of concrete specified. The mix shall be designed by a qualified concrete technician to conform with the requirements contained herein and in accordance with the THD Bulletin C-11. The Contractor shall perform, at his own expense, the work required to substantiate the design, except the testing of strength specimens, which will be done by the Engineer. Complete concrete design data shall be submitted to the Engineer for approval.

It shall also be the responsibility of the Contractor to determine and measure the batch quantity of each ingredient, including all water, so that the mix conforms to these specifications and any other requirements shown on the plans.

In lieu of the above mix design responsibility, the Contractor may accept a design furnished by the Engineer; however, this will not relieve the Contractor of providing concrete meeting the requirements of these specifications.

Trial batches will be made and tested using all of the proposed ingredients prior to the placing the concrete, and when the aggregate and/or brand of cement or admixture is changed. Trial batches shall be made in the mixer to be used on the job. When transit mix concrete is to be used, the trial designs will be made in a transit mixer representative of the mixers to be used. Batch size shall not be less than 50 percent of the rated mixing capacity of the truck.

Mix designs from previous or concurrent jobs may be used without trial batches if it is shown that no substantial change in any of the proposed ingredients has been made.

The coarse aggregate factor shall not be more than 0.82, except that when the voids in the coarse aggregate exceed 48 percent of the total dry loose volume, the coarse aggregate factor shall not exceed 0.85. The coarse aggregate factor shall not be less than 0.70 for Grades 1, 2 and 3 aggregates.

If the strength required for the class of concrete being produced is not secured with the cement specified in Table 4, the Contractor may use an approved water-reducing or retarding admixture, or he shall furnish aggregates with different characteristics which will produce the required results. Additional cement may be



required or permitted as a temporary measure until the redesign is checked.

Water-reducing or retarding agents may be used with all classes of concrete at the option of the Contractor.

When water-reducing or retarding agents are used at the option of the Contractor, reduced dosage of the admixture will be permitted.

Entrained air will be required in accordance with Table 4. The concrete shall be designed to entrain 5 percent air when Grade 2 coarse aggregate is used and 6 percent when Grade 3 coarse aggregate is used. Concrete as placed in the structure shall contain the proper amount as required above with a tolerance of plus or minus 1.5 percentage points. Occasional variations beyond this tolerance will not be cause for rejection. When the quantity of entrained air is found to be above 7 percent with Grade 2 coarse aggregate or above 8 percent for Grade 3 coarse aggregate, additional test beams or cylinders will be made. If these beams or cylinders pass the minimum flexural or compressive requirements, the concrete will not be rejected because of the variation in air content.

## **7. CONSISTENCY**

In cases where the consistency requirements cannot be satisfied without exceeding the maximum allowable amount of water, the Contractor may use, or the Engineer may require, an approved water-reducing or retarding agent, or the Contractor shall furnish additional aggregates or aggregates with different characteristics, which will produce the required results. Additional cement may be required or permitted as a temporary measure until aggregates are changed and designs checked with the different aggregates or admixture.

The consistency of the concrete as placed should allow the completion of all finishing operations without the addition of water to the surface. When field conditions are such that additional moisture is needed for the final concrete surface finishing operation, the required water shall be applied to the surface by fog spray only, and shall be held to a minimum. The concrete shall be workable, cohesive, possess satisfactory finishing qualities, and of the stiffest consistency that can be placed and vibrated into a homogenous mass. Excessive bleeding shall be avoided. Slump requirements will be as specified in Table 3.

**TABLE 3**  
**Slump Requirements**

<u>Concrete Designation</u>	<u>Desired Slump</u>	<u>Max. Slump</u>
Structural Concrete:		
(1) Thin-Walled Sections (9" or less)	4 inches	5 inches
(2) Slabs, Caps, Columns, Piers, Wall Sections over 9", etc.	3 inches	4 inches
Underwater or Seal Concrete	5 inches	6 inches
Riprap, Curb, Gutter and Other Miscellaneous Concrete	2.5 inches	4 inches

**NOTE:** No concrete will be permitted with slump in excess of the maximums shown.

## 8. QUALITY OF CONCRETE

### 8.1 GENERAL

The concrete shall be uniform and workable. The cement content, maximum allowable water-cement ratio, the desired and maximum slump and the strength requirements of the various classes of concrete shall conform to the requirements of Table 3 and Table 4 and as required herein.

During the process of the work, the Engineer will cast test cylinders or beams as a check on the compressive or flexural strength of the concrete actually placed.

A test shall be defined as the average of the breaking strength of two cylinders or two beams, as the case may be. Specimens will be tested in accordance with TxDOT Test Methods Tex-418-A or Tex-420-A.

Test beams or cylinders will be required as specified in the contract documents. For small placements on structures such as manholes, inlets, culverts, wingwalls, etc., the Engineer may vary the number of tests to a minimum of one for each 25 cubic yards placed over a several day period.

All test specimens, beams or cylinders, representing tests for removal of forms and/or falsework shall be cured using the same methods, and under the same conditions as the concrete represented.

"Design Strength" beams and cylinders shall be cured in accordance with THD Bulletin C-11.

The Contractor shall provide and maintain curing facilities as described in THD Bulletin C-11 for the purpose of curing test specimens. Provision shall be made to maintain the water in the curing tank at temperatures between 70°F and 90°F.

When control of concrete quality is by twenty-eight-day compressive tests, job control will be by seven-day compressive tests which are shown to provide the required twenty-eight-day strength, based on results from trial batches. If the required seven-day strength is not secured with the cement specified in Table 4, changes in the batch design will be made.

TABLE 4  
Classes of Concrete

Class of Concrete	Sacks Cement per C.Y. (min.)	Minimum Compressive Strength (f'c) 28-Day(psi)	Min. Beam Strength 7-Day (psi)	Maximum Water-Cement Ratio (gal/sack)	Coarse Aggregate No.
A*	5.0	3000	500***	6.5	2-4-8****
B*	4.5	2500	417	8.0	2-4-8****
C*	6.0	3600	600***	6.0	1-2-4**
D	6.0	3000	500	7.0	2-4
S	6.5	4000	570	5.0	2-4

\*Entrained Air (slabs, piers and bent concrete).

\*\*Grade 1 Coarse Aggregate may be used in foundation only (except cased drilled shafts).

\*\*\*When Type II Cement is used with Class C Concrete, the 7-day beam break requirement will be 550 psi; with Class A Concrete, the minimum 7-day beam break requirement will be 460 psi.

\*\*\*\*Permission to use Grade 8 Aggregate must have prior approval of the Engineer.

## **9. MIXING CONDITIONS**

The concrete shall be mixed in quantities required for immediate use. Any concrete which is not in place within the limits outlined in specification Section 038000 "Concrete Structures", Article "Placing Concrete-General", shall not be used. Retamping of concrete will not be permitted.

In threatening weather, which may result in conditions that will adversely affect the quality of the concrete to be placed, the Engineer may order postponement of the work. Where work has been started and changes in weather conditions require protective measures, the Contractor shall furnish adequate shelter to protect the concrete against damage from rainfall, or from freezing temperatures. If necessary to continue operations during rainfall, the Contractor shall also provide protective coverings for the material stockpiles. Aggregate stockpiles need be covered only to the extent necessary to control the moisture conditions in the aggregates to adequately control the consistency of the concrete.

## **10. MIXING AND MIXING EQUIPMENT**

All equipment, tools, and machinery used for hauling materials and performing any part of the work shall be maintained in such condition to insure completion of the work underway without excessive delays for repairs or replacements.

The mixing shall be done in a batch mixer of approved type and size that will produce uniform distribution of the material throughout the mass. Mixers may be either the revolving drum type or the revolving blade type, and shall be capable of producing concrete meeting the requirements of these specifications.

After all the ingredients are assembled in the drum, the mixing shall continue not less than 1 minute for mixers of one cubic yard or less capacity plus 15 seconds for each additional cubic yard or portion thereof.

The mixer shall operate at the speed and capacity designated by the Mixer Manufacturers Bureau of the Associated General Contractors of America. The mixer shall have a plate affixed showing the manufacturer's recommended operating data.

The absolute volume of the concrete batch shall not exceed the rated capacity of the mixer.

The entire contents of the drum shall be discharged before any materials are placed therein for the succeeding batch.

The first batch of concrete materials placed in the mixer for each placement shall contain an extra quantity of sand, cement and water sufficient to coat the inside surface of the drum.

Upon the cessation of mixing for any considerable length of time, the mixer shall be thoroughly cleaned.

The concrete mixer shall be equipped with an automatic timing device which is put into operation when the skip is raised to its full height and dumping. This device shall lock the discharging mechanism and prevent emptying of the mixer until all the materials have been mixed together for the minimum time required, and

it shall ring a bell after the specified time of mixing has elapsed.

The water tank shall be arranged so that the amount of water can be measured accurately, and when the tank starts to discharge, the inlet supply shall cut off automatically.

Whenever a concrete mixer is not adequate or suitable for the work, it shall be removed from the site upon a written order from the Engineer and a suitable mixer provided by the Contractor.

Pick-up and thro-over blades in the drum of the mixer which are worn down more than 10 percent in depth shall be repaired or replaced with new blades.

Improperly mixed concrete shall not be placed in the structure.

Job mix concrete shall be concrete mixed in an approved batch mixer in accordance with the requirements stated above, adjacent to the structure for which the concrete is being mixed, and moved to the placement site in non-agitating equipment.

## **11. READY-MIX PLANTS**

### **11.1 GENERAL**

It shall be the Contractor's responsibility to furnish concrete meeting all requirement of the governing specification sections, and concrete not meeting the slump, workability and consistency requirements of the governing specification sections shall not be placed in the structure or pavement.

Ready-Mixed Concrete shall be mixed and delivered by means of one of the following approved methods.

- (1) Mixed completely in a stationary mixer and transported to the point of delivery in a truck agitator or a truck mixer operating at truck agitator or truck mixer agitation speed. (Central-Mix Concrete)
- (2) Mixed complete in a truck mixer and transported to the placement site at mixing and/or agitating speed (Transit-Mix Concrete), subject to the following provisions:
  - (a) Truck mixers will be permitted to transport concrete to the job site at mixing speed if equipped with double actuated counters which will separate revolutions at mixing speed from total revolutions.
  - (b) Truck mixers equipped with a single actuated counter counting total revolutions of the drum shall mix the concrete at the plant not less than 50 nor more than 70 revolutions at mixing speed, transport it to the job site at agitating speed and complete the required mixing before placing the concrete.
- (3) Mixed completely in a stationery mixer and transported to the job site in approved non-agitating trucks with special bodies. This method of transporting will be permitted for concrete pavement only.

## 11.2 EQUIPMENT

(1) Batching Plant

The batching plant shall be provided with adequate bins for batching all aggregates and materials required by the specifications.

Bulk cement shall be weighed on a scale separate from those used for other materials and in a hopper entirely free and independent of that used for weighing the aggregates.

(2) Mixers and Agitators.

- (a) General: Mixers shall be of an approved stationary or truck-type capable of combining the ingredients into a thoroughly mixed and uniform mass.

Facilities shall be provided to permit ready access to the inside of the drum for inspection, cleaning and repair of blades.

Mixers and agitators shall be subject to daily examination for changes in condition due to accumulation of hardened concrete and/or wear of blades, and any hardened concrete shall be removed before the mixer will be permitted to be used. Worn blades shall be repaired or replaced with new in accordance with the manufacturer's design and arrangement for that particular unit when any part or section is worn as much as 10 percent below the original height of the manufacturer's design.

- (b) Stationary Mixers: These shall conform to the requirements of Article "Mixing and Mixing Equipment". Truck mixers mounted on a stationary base will not be considered as a stationary mixer.

- (c) Truck Mixers: In addition, truck mixers shall comply with the following requirements:

An engine in satisfactory working condition and capable of accurately gauging the desired speed of rotation shall be mounted as an integral part of the mixing unit for the purpose of rotating the drum. Truck mixers equipped with a transmission that will govern the speed of the drum within the specified revolutions per minute (rpm) will not require a separate engine.

All truck mixers shall be equipped with actuated counters by which the proper number of revolutions of the drum, as specified in Article 11. A. above, may be readily verified. The counters shall be read and recorded at the start of mixing at mixing speeds.

Each until shall have adequate water supply and accurate metering or gauging devices for measuring the amount used.

- (d) Agitators: Concrete agitators shall be of the truck type, capable of maintaining a

thoroughly mixed and uniform concrete mass and discharging it within the same degree of uniformity specified for mixers. Agitators shall comply with all of the requirements for truck mixers, except for the actual mixing requirements.

### 11.3 OPERATION OF PLANT AND EQUIPMENT

Delivery of ready-mixed concrete shall equal or exceed the rate approved by the Engineer for continuous placement. In all cases, the delivery of concrete to the placement site shall assure compliance with the time limits in the applicable specification for depositing successive batches in any monolithic unit. The Contractor shall satisfy the Engineer that adequate standby trucks are available.

A standard ticket system will be used for recording concrete batching, mixing and delivery date.

Tickets will be delivered to the job inspector.

Loads arriving without ticket and/or in unsatisfactory condition shall not be used.

When a stationary mixer is used for the entire mixing operation, the mixing time for one cubic yard of concrete shall be one minute plus 15 seconds for each additional cubic yard or portion thereof. This mixing time shall start when all cement, aggregates and initial water have entered the drum. The mixer shall be charged so that some of the mixing water will enter the drum in advance of the cement and aggregate. All of the mixing water shall be in the drum by the end of the first one-fourth of the specified mixing time. Water used to flush down the blades after charging shall be accurately measured and included in the quantity of mixing water. The introduction of the initial mixing water, except blade wash down water and that permitted in this Article, shall be prior to or simultaneous with the charging of the aggregates and cement.

The loading of truck mixers shall not exceed 63 percent of the total volume of the drum. When used as an agitator only, the loading shall not exceed 80 percent of the drum volume.

When Ready-Mix Concrete is used, additional mortar (one sack cement, three parts sand and sufficient water) shall be added to the batch to coat the drum of the mixer or agitator truck, and this shall be required for every load of Class C concrete only and for the first batch from central mix plants.

A portion of the mixing water, required by the batch design to produce the desired slump, may be withheld and added at the job site, but only with permission of the Engineer and under his supervision. When water is added under the above conditions, it shall be thoroughly mixed as specified below for water added at the job site.

Mixing speed shall be attained as soon as all ingredients are in the mixer, and each complete batch (containing all the required ingredients) shall be mixed not less than 70 nor more than 100 revolutions of the drum at mixing speed except that when water is added at the job site, 25 revolutions (minimum) at mixing speed will be required to uniformly disperse the additional water throughout the mix. Mixing speed shall be as designated by the manufacturer.

All revolutions after the prescribed mixing time shall be at agitating speed. The agitating speed shall be not less than one (1) nor more than five (5) rpm. The drum shall be kept in continuous motion from the time mixing is started until the discharge is completed.

## **12. PLACING, CURING AND FINISHING**

The placing of concrete, including construction of forms and falsework, curing and finishing, shall be in accordance with Standard Specification Section 038000 "Concrete Structures".

## **13. MEASUREMENT AND PAYMENT**

This project is a lump sum bid. The work governed by this specification shall not be measured for pay, but shall be subsidiary to the project.

**END OF SECTION**

**SECTION 033000**  
**CAST-IN-PLACE CONCRETE**

**1. GENERAL**

1.1 RELATED DOCUMENTS

- A. Drawings and general provisions of the Contract, including General and Supplementary Conditions and Division 1 Specification Sections, apply to this Section.

1.2 SUMMARY

- A. This Section specifies cast-in place concrete, including formwork, reinforcing, mix design, placement procedures, and finishes.
- B. Cast-in-place concrete includes the following:
1. Foundations and footings.
  2. Slabs-on-grade.
  3. Equipment pads and bases.
- C. Related Sections: The following Sections contain requirements that relate to this Section:
1. Division 2 Section "Portland Cement Concrete Paving" for concrete paving and walks.

1.3 APPLICABLE PUBLICATIONS

- ASTM C150-81 Standard Specification for Portland Cement
- ASTM C33-82 Standard Specification for Concrete Aggregate
- ASTM C39-81 Standard Method of Test for Strength of Cylindrical Concrete Specimens
- ASTM C42-84a Obtaining and Testing Drilled Cores and Sawed Beams of Concrete
- ASTM C192-81 Standard Method of Making and Curing Concrete Test Specimens in the Laboratory
- ASTM C172-82 Standard Method of Sampling Fresh Concrete
- ASTM C143-78 Slump of Portland Cement Concrete
- ASTM C31-69 Standard Method of Making and Curing Concrete Test Specimens in the Field
- ASTM C94-81 Standard Specification for Ready Mixed Concrete



- ASTM C78 Method of Test for Flexural Strength of Concrete
- ASTM C231-82 Air Content of Freshly Mixed Concrete by the Pressure Method
- ASTM C260-86 Air Entraining Admixtures for Concrete
- ASTM C494-86 Chemical Admixtures for Concrete

#### 1.4 SUBMITTALS

- A. General: Submit the following according to Conditions of the Contract and Division 1 Specification Sections.
- B. Product data for proprietary materials and items, including reinforcement and forming accessories, admixtures, patching compounds, waterstops, joint systems, curing compounds, dry-shake finish materials, and others if requested by the Engineer.
- C. Shop drawings for reinforcement detailing fabricating, bending, and placing concrete reinforcement. Comply with ACI 315 "Manual of Standard Practice for Detailing Reinforced Concrete Structures" showing bar schedules, stirrup spacing, bent bar diagrams, and arrangement of concrete reinforcement. Include special reinforcing required for openings through concrete structures.
- D. Laboratory test reports for concrete materials and mix design test for each class of concrete.

#### 1.5 QUALITY ASSURANCE

- A. Codes and Standards: Comply with provisions of the following codes, specifications, and standards, except where more stringent requirements are shown or specified:
  - 1. American Concrete Institute (ACI) 301, "Specifications for Structural Concrete for Buildings."
  - 2. ACI 318, "Building Code Requirements for Reinforced Concrete."
  - 3. Concrete Reinforcing Steel Institute (CRSI) "Manual of Standard Practice."
- B. Concrete Testing Service: Engage a testing agency acceptable to the Engineer to perform material evaluation tests and to design concrete mixes.
- C. Materials and installed work may require testing and retesting at any time during progress of Work. Tests, including retesting of rejected materials for installed Work, shall be done at Contractor's expense.

## **2. PRODUCTS**

### 2.1 FORM MATERIALS

- A. Forms for Exposed Finish Concrete: Plywood, metal, metal-framed plywood faced, or other acceptable panel-type materials to provide continuous, straight, smooth, exposed surfaces. Furnish in largest practicable sizes to minimize number of joints and to conform to joint system shown on drawings.
- B. Forms for Unexposed Finish Concrete: Plywood, lumber, metal, or another acceptable material. Provide lumber dressed on at least two edges and one side for tight fit.
- C. Forms for Cylindrical Columns and Supports: Metal, glass-fiber-reinforced plastic, or paper or fiber tubes that will produce smooth surfaces without joint indications. Provide units with sufficient wall thickness to resist wet concrete loads without deformation.
- D. Form Release Agent: Provide commercial formulation form release agent with a maximum of 350 g/L volatile organic compounds (VOCs) that will not bond with, stain, or adversely affect concrete surfaces and will not impair subsequent treatments of concrete surfaces.
- E. Form Ties: Factory-fabricated, adjustable-length, removable or snap-off metal form ties designed to prevent form deflection and to prevent spalling of concrete upon removal. Provide units that will leave no metal closer than 1-1/2 inches (38 mm) to the plane of the exposed concrete surface.
  - 1. Provide ties that, when removed, will leave holes not larger than 1 inch (25 mm) in diameter in the concrete surface.

## 2.2 REINFORCING MATERIALS

- A. Reinforcing Bars: ASTM A 615 Grade 60, deformed, Grade 40 stirrups and ties.
- B. Steel Wire: ASTM A 82, plain, cold-drawn steel.
- C. Welded Wire Fabric: ASTM A 185, welded steel wire fabric. Flat sheets only.
- D. Deformed-Steel Welded Wire Fabric: ASTM A 497.
- E. Supports for Reinforcement: Bolsters, chairs, spacers, and other devices for spacing, supporting, and fastening reinforcing bars and welded wire fabric in place. Use wire bar-type supports complying with CRSI specifications.
  - 1. For slabs-on-grade, use supports with sand plates or horizontal runners where base material will not support chair legs or use Haydite (CMU) blocks.
  - 2. For exposed-to-view concrete surfaces where legs of supports are in contact

with forms, provide supports that are plastic (CRSI, Class 1) or stainless steel (CRSI, Class 2).

## 2.3 CONCRETE MATERIALS

- A. Portland Cement: ASTM C 150, Type I.
  - 1. Use one brand of cement throughout Project unless otherwise acceptable to the Engineer.
- B. Fly Ash: ASTM C 618, Type F.
- C. Normal-Weight Aggregates: ASTM C 33 and as specified. Provide aggregates from a single source for exposed concrete.
  - 1. For exposed exterior surfaces, do not use fine or coarse aggregates that contain substances that cause spalling.
- D. Water: Potable.
- E. Admixtures, General: Provide concrete admixtures that contain not more than 0.1 percent chloride ions.
- F. Air-Entraining Admixture: ASTM C 260, certified by manufacturer to be compatible with other required admixtures.
  - 1. Products: Subject to compliance with requirements, provide one of the following:
    - a. Air-Tite, Cormix Construction Chemicals.
    - b. Air-Mix or Perma-Air, Euclid Chemical Co.
    - c. Darex AEA or Daravair, W.R. Grace & Co.
    - d. MB-VR or Micro-Air, Master Builders, Inc.
    - e. Sealtight AEA, W.R. Meadows, Inc.
    - f. Sika AER, Sika Corp.
- G. Water-Reducing Admixture: ASTM C 494, Type A.
  - 1. Products: Subject to compliance with requirements, provide one of the following:
    - a. Chemtard, ChemMasters Corp.
    - b. PSIN, Cormix Construction Chemicals.
    - c. Eucon WR-75, Euclid Chemical Co.
    - d. WRDA, W.R. Grace & Co.
    - e. Pozzolith Normal or Polyheed, Master Builders, Inc.
    - f. Metco W.R., Metalcrete Industries.
    - g. Prokrete-N, Prokrete Industries

- h. Plastocrete 161, Sika Corp.
  - H. High-Range Water-Reducing Admixture: ASTM C 494, Type F or Type G.
    - 1. Products: Subject to compliance with requirements, provide one of the following:
      - a. Super P, Anti-Hydro Co., me.
      - b. Cormix 200, Cormix Construction Chemicals.
      - c. Eucon 37, Euclid Chemical Co.
      - d. WRDA 19 or Daracem, W.R. Grace & Co.
      - e. Rheobuild or Polyheed, Master Builders, Inc.
      - f. Superslump, Metalcrete Industries.
      - g. PSPL, Prokrete Industries
      - h. Sikament 300, Sika Corp.
  - I. Water-Reducing, Accelerating Admixture: ASTM C 494, Type E.
    - 1. Products: Subject to compliance with requirements, provide one of the following:
      - a. Q-Set, Conspec Marketing & Manufacturing Co.
      - b. Lubricon NCA, Cormix Construction Chemicals.
      - c. Accelguard 80, Euclid Chemical Co.
      - d. Daraset, W.R. Grace & Co.
      - e. Pozzutec 20, Master Builders, Inc.
      - f. Accel-Set, Metalcrete Industries.
  - J. Water-Reducing, Retarding Admixture: ASTM C 494, Type D.
    - 1. Products: Subject to compliance with requirements, provide one of the following:
      - a. PSI-R Plus, Cormix Construction Chemicals.
      - b. Eucon Retarder 75, Euclid Chemical Co.
      - c. Daratard-17, W.R. Grace & Co.
      - d. Pozzolith R, Master Builders, Inc.
      - e. Protard, Prokrete Industries.
      - f. Plastiment, Sika Corporation.

## 2.4 RELATED MATERIALS

- A. Dovetail Anchor Slots: Hot-dip galvanized sheet steel, not less than 0.0336 inch thick (0.76 mm) with bent tab anchors. Fill slot with temporary filler or cover face opening to prevent intrusion of concrete or debris.
- B. Sand Cushion: Clean, manufactured or natural sand.

- C. Vapor Retarder: Provide vapor retarder that is resistant to deterioration when tested according to ASTM E 154, as follows:
1. Polyethylene sheet not less than 11 mils thick.
- D. Concrete Sealer/Hardener and Dustproofers.
1. Sonneborn Lapidolith.
- E. Water-Based Acrylic Membrane Curing Compound: ASTM C 309, Type I, Class B.
1. Provide material that has a maximum volatile organic compound (VOC) rating of 350 g/L.
  2. Available Products: Subject to compliance with requirements, products that may be incorporated in the Work include, but are not limited to, the following:
  3. Products: Subject to compliance with requirements, provide one of the following:
    - a. Highseal, Conspec Marketing and Mfg. Co.
    - b. Sealco - VOC, Cormix Construction Chemicals.
    - c. Safe Cure and Seal, Dayton Superior Corp.
    - d. Aqua-Cure, Euclid Chemical Co.
    - e. Dress & Seal WB, L&M Construction Chemicals, Inc.
    - f. Masterkure 100W, Master Builders, Inc.
    - g. Vocomp-20, W.R. Meadows, Inc.
    - h. Metcure, Metalcrete Industries.
    - i. Stontop CS1, Stonhard, Inc.
    - j. Kure-N-Seal WB.
- F. Underlayment Compound: Free-flowing, self-leveling, pumpable, cement-based compound for applications from 1 inch (25 mm) thick to feathered edges.
1. Products: Subject to compliance with requirements, provide one of the following:
    - a. K-15, Ardex, Inc.
    - b. Self-Leveling Wear Topping, W.R. Bonsai, Co.
    - c. Conflow, Conspec Marketing and Mfg. Co.
    - d. Corlevel, Cormix Construction Chemicals.
    - e. LevelLayer II, Dayton Superior Corp.
    - f. Flo-Top, Euclid Chemical Co.
    - g. Gyp-Crete, Gyp-Crete Corp.
    - h. Levelex, L&M Construction Chemicals, Inc.
    - i. Underlayment 110, Master Builders, Inc.
    - j. Stoncrete UL1, Stonhard, Inc.
    - k. Concrete Top, Symons Corp.
    1. Thoro Underlayment Self-Leveling, Thoro System Products.

- G. Bonding Agent: Polyvinyl acetate or acrylic base.
1. Available Products: Subject to compliance with requirements, products that may be incorporated in the Work include, but are not limited to, the following:
  2. Products: Subject to compliance with requirements, provide one of the following:
    - a. Polyvinyl Acetate (Interior Only):
      1. Superior Concrete Bonder, Dayton Superior Corp.
      2. Euco Weld, Euclid Chemical Co.
      3. Weld-Crete, Larsen Products Corp.
      4. Everweld, L&M Construction Chemicals, Inc.
      5. Herculox, Metalcrete Industries.
      6. Ready Bond, Symons Corp.
    - b. Acrylic or Styrene Butadiene:
      1. Acrylic Bondcrete, The Burke Co.
      2. Strongbond, Conspec Marketing and Mfg. Co.
      3. Day-Chem Ad Bond, Dayton Superior Corp.
      4. SBR Latex, Euclid Chemical Co.
      5. Daraweld C, W.R. Grace & Co.
      6. Hornweld, A.C. Horn, Inc.
      7. Everbond, L&M Construction Chemicals, Inc.
      8. Acryl-Set, Master Builders Inc.
      9. Intralok, W.R. Meadows, Inc.
      10. Acrylpave, Metalcrete Industries.
      11. Sonocrete, Sonneborn-Chemrex.
      12. Stonlock LB2, Stonhard, Inc.
      13. Strong Bond, Symons Corp.
- H. Epoxy Adhesive: ASTM C 881, two-component material suitable for use on dry or damp surfaces. Provide material type, grade, and class to suit Project requirements.
1. Available Products: Subject to compliance with requirements, products that maybe incorporated in the Work include, but are not limited to, the following:
  2. Products: Subject to compliance with requirements, provide one of the following:
    - a. Burke Epoxy M.V., The Burke Co.
    - b. Spec-Bond 100, Conspec Marketing and Mfg. Co.
    - c. Resi-Bond (J-58), Dayton Superior.
    - d. Euco Epoxy System #452 or #620, Euclid Chemical Co.
    - e. Epoxite Binder 2390, A.C. Horn, Inc.
    - f. Epabond, L&M Construction Chemicals, Inc.
    - g. Concsive Standard Liquid, Master Builders, Inc.

- h. Rezi-Weld 1000, W.R. Meadows, Inc.
- i. Metco Hi-Mod Epoxy, Metalcrete Industries,
- j. Sikadur 32 Hi-Mod, Sika Corp.
- k. Stonset LV5, Stonhard, Inc.
- 1. R-600 Series, Symons Corp.

## 2.5 PROPORTIONING AND DESIGNING MIXES

- A. Prepare design mixes for each type and strength of concrete by either laboratory trial batch or field experience methods as specified in ACI 301. For the trial batch method, use an independent testing agency acceptable to the Engineer for preparing and reporting proposed mix designs.
  - 1. Do not use the same testing agency for field quality control testing.
  - 2. Limit use of fly ash to not exceed 15 percent of cement content by weight.
- B. Submit written reports to the Engineer of each proposed mix for each class of concrete at least 15 days prior to start of Work. Do not begin concrete production until proposed mix designs have been reviewed by the Engineer.
- C. Design mixes to provide normal weight concrete with the following properties as indicated on drawings and schedules:
  - 1. 4000 psi (27.6 MPa), 28-day compressive strength; water-cement ratio, 0.44 maximum (non-air-entrained), 0.35 maximum (air-entrained).
  - 2. 3500 psi (24.1 MPa), 28-day compressive strength; water-cement ratio, 0.51 maximum (non-air-entrained), 0.40 maximum (air-entrained).
  - 3. 3000 psi (20.7 MPa), 28-day compressive strength; water-cement ratio, 0.58 maximum (non-air-entrained), 0.46 maximum (air-entrained).
  - 4. 2500 psi (17.2 MPa), 28-day compressive strength; water-cement ratio, 0.67 maximum (non-air-entrained), 0.54 maximum (air-entrained).
- D. Water-Cement Ratio: Provide concrete for following conditions with maximum water-cement (W/C) ratios as follows: W/C 0.50.
- E. Slump Limits: Proportion and design mixes to result in concrete slump at point of placement. See general notes in structural drawings.
- F. Adjustment to Concrete Mixes: Mix design adjustments may be requested by Contractor when characteristics of materials, job conditions, weather, test results, or other circumstances warrant, as accepted by the Engineer. Laboratory test data for revised mix design and strength results must be submitted to and accepted by the Engineer before using in Work.

## 2.6 ADMIXTURES

- A. Use water-reducing admixture or high-range water-reducing admixture (superplasticizer) in concrete, as required, for placement and workability.
- B. Use accelerating admixture in concrete slabs placed at ambient temperatures below 50°F (10°C).
- C. Use high-range water-reducing admixture in pumped concrete, concrete for heavy use industrial slabs, architectural concrete, parking structure slabs, concrete required to be watertight, and concrete with water-cement ratios below 0.50.
- D. Use air entraining admixture in exterior exposed concrete unless otherwise indicated. Add air entraining admixture at manufacturer's prescribed rate to result in concrete at point of placement having total air content with a tolerance of plus or minus 1-1/2 percent within the following limits: 2 to 4 percent air.
- E. Use admixtures for water reduction and set accelerating or retarding in strict compliance with manufacturer's directions.

## 2.7 CONCRETE MIXING

- A. Ready-Mixed Concrete: Comply with requirements of ASTM C 94, and as specified.
  - 1. When air temperature is between 85°F (29°C) and 90°F (32°C), reduce mixing and delivery time from 1-1/2 hours to 75 minutes, and when air temperature is above 90°F (32°C), reduce mixing and delivery time to 60 minutes.
  - 2. When air temperature is above 90°F (32°C), ice may be added to the batch in the plant to reduce the rate of hydration with prior approval of the Engineer.
  - 3. No concrete shall be placed when the concrete temperature exceeds 97°F, or when the delivery times are exceeded. Concrete may not be retempered.

## **3. EXECUTION**

### 3.1 GENERAL

- A. Coordinate the installation of joint materials, vapor retarder/barrier, and other related materials with placement of forms and reinforcing steel.

### 3.2 FORMS

- A. General: Design, erect, support, brace, and maintain formwork to support vertical, lateral, static, and dynamic loads that might be applied until concrete structure can support such loads. Construct formwork so concrete members and structures are of correct size, shape, alignment, elevation, and position. Maintain formwork construction tolerances and surface irregularities complying with the following ACI 347 limits:
  - 1. Provide Class A tolerances for concrete surfaces exposed to view.



2. Provide Class C tolerances for other concrete surfaces.
- B. Construct forms to sizes, shapes, lines, and dimensions shown and to obtain accurate alignment, location, grades, level, and plumb work in finished structures. Provide for openings, offsets, sinkages, keyways, recesses, moldings, rustications, reglets, chamfers, blocking, screeds, bulkheads, anchorages and inserts, and other features required in the Work. Use selected materials to obtain required finishes. Solidly butt joints and provide backup at joints to prevent cement paste from leaking.
  - C. Fabricate forms for easy removal without hammering or prying against concrete surfaces. Provide crush plates or wrecking plates where stripping may damage cast concrete surfaces. Provide top forms for inclined surfaces where slope is too steep to place concrete with bottom forms only. Kerf wood inserts for forming keyways, reglets, recesses, and the like for easy removal.
  - D. Provide temporary openings for clean-outs and inspections where interior area of formwork is inaccessible before and during concrete placement. Securely brace temporary openings and set tightly to forms to prevent losing concrete mortar. Locate temporary openings in forms at inconspicuous locations.
  - E. Chamfer exposed corners and edges as indicated, using wood, metal, PVC, or rubber chamfer strips fabricated to produce uniform smooth lines and tight edge joints.
  - F. Provisions for Other Trades: Provide openings in concrete formwork to accommodate work of other trades. Determine size and location of openings, recesses, and chases from trades providing such items. Accurately place and securely support items built into forms.
  - G. Cleaning and Tightening: Thoroughly clean forms and adjacent surfaces to receive concrete. Remove chips, wood, sawdust, dirt, or other debris just before placing concrete. Retighten forms and bracing before placing concrete, as required, to prevent mortar leaks and maintain proper alignment.

### 3.3 VAPOR RETARDER/BARRIER INSTALLATION

- A. General: Place vapor retarder/barrier sheeting in position with longest dimension parallel with direction of pour.
- B. Lap joints 6 inches (150 mm) and seal with manufacturer's recommended mastic or pressure-sensitive tape.

### 3.4 PLACING REINFORCEMENT

- A. General: Comply with Concrete Reinforcing Steel Institute's recommended practice for "Placing Reinforcing Bars," for details and methods of reinforcement placement and supports and as specified.

1. Avoiding cutting or puncturing vapor retarder/barrier during reinforcement

placement and concreting operations. Repair damages before placing concrete.

- B. Clean reinforcement of loose rust and mill scale, earth, ice, and other materials that reduce or destroy bond with concrete.
- C. Accurately position, place, support and secure reinforcement against displacement. Maintain minimum coverages as indicated for concrete protection.
- D. Provide all necessary accessories in the form of chairs, bolsters, spreaders, spacers, hangers, etc., to adequately secure and hold reinforcement in its proper position during all phases of construction. Set wire ties so ends are directed into concrete, not touching exposed concrete surfaces.
- E. Install welded wire fabric in lengths as long as practicable. Lap adjoining pieces at least one full mesh and lace splices with wire. Offset laps of adjoining widths to prevent continuous laps in either direction.

### 3.5 JOINTS

- A. Construction Joints: Construction joints shall not be located within the depth of any horizontal member or along the length of any column between intersecting horizontal members. All construction joints shall be where indicated on the drawings or as approved by the Engineer.
- B. Provide keyways at least 1-1/2 inches (38 mm) deep in construction joints in walls and slabs and between walls and footings. Bulkheads designed and accepted for this purpose may be used for slabs.
- C. Place construction joints perpendicular to main reinforcement. Continue reinforcement across construction joints except as indicated otherwise. Do not continue reinforcement through sides of strip placements.
- D. Use bonding agent on existing concrete surfaces that will be joined with fresh concrete.
- E. Isolation Joints in Slabs-on-Grade: Construct isolation joints in slabs-on-grade at points of contact between slabs-on-grade and vertical surfaces, such as column pedestals, foundation walls, grade beams, and other locations, as indicated.
  - 1. Joint fillers and sealants are specified in Division 7 Section "Joint Sealants."
- F. Contraction (Control) Joints in Slabs-on-Grade: Construct contraction joints in slabs-on-grade to form panels of patterns as shown. Use saw cuts 1/8 inch (3 mm) wide by one-fourth of slab depth or inserts 1/4 inch (6 mm) wide by one-fourth of slab depth, unless otherwise indicated.
  - 1. Form contraction joints by inserting premolded plastic, hardboard, or fiberboard strip into fresh concrete until top surface of strip is flush with slab surface. Tool slab edges round on each side of insert. After concrete has

- cured, remove inserts and clean groove of loose debris.
2. Contraction joints in unexposed floor slabs may be formed by saw cuts as soon as possible after slab finishing as may be safely done without dislodging aggregate.
  3. If joint pattern is not shown, provide joints not exceeding 15 ft. (4.5 m) in either direction and located to conform to bay spacing wherever possible (at column centerlines, half bays, third bays).
  4. Joint fillers and sealants are specified in Division 7 Section "Joint Sealants."

### 3.6 INSTALLING EMBEDDED ITEMS

- A. General: Set and build into formwork anchorage devices and other embedded items required for other work that is attached to or supported by cast-in-place concrete. Use setting drawings, diagrams, instructions, and directions provided by suppliers of items to be attached.
- B. Install reglets to receive top edge of foundation sheet waterproofing and to receive through-wall flashings in outer face of concrete frame at exterior walls, where flashing is shown at lintels, relieving angles, and other conditions.
- C. Install dovetail anchor slots in concrete structures as indicated on drawings.
- D. Forms for Slabs: Set edge forms, bulkheads, and intermediate screed strips for slabs to achieve required elevations and contours in finished surfaces. Provide and secure units to support screed strips using strike-off templates or compacting-type screeds.

### 3.7 PREPARING FORM SURFACES

- A. General: Coat contact surfaces of forms with an approved, nonresidual, low-VOC, form-coating compound before placing reinforcement.
- B. Do not allow excess form-coating material to accumulate in forms or come into contact with in-place concrete surfaces against which fresh concrete will be placed. Apply according to manufacturer's instructions.
  1. Coat steel forms with a nonstaining, rust-preventative material. Rust-stained steel formwork is not acceptable.

### 3.8 CONCRETE PLACEMENT

- A. Inspection: Before placing concrete, inspect and complete formwork installation, reinforcing steel, and items to be embedded or cast in. Notify other trades to permit installation of their work.
- B. General: Comply with ACI 304, "Guide for Measuring, Mixing, Transporting, and Placing Concrete," and as specified.

- C. Deposit concrete continuously or in layers of such thickness that no new concrete will be placed on concrete that has hardened sufficiently to cause seams or planes of weakness. If a section cannot be placed continuously, provide construction joints as specified. Deposit concrete to avoid segregation at its final location.
- D. Placing Concrete in Forms: Deposit concrete in forms in horizontal layers no deeper than 24 inches (600 mm) and in a manner to avoid inclined construction joints. Where placement consists of several layers, place each layer while preceding layer is still plastic to avoid cold joints.
  - 1. Consolidate placed concrete by mechanical vibrating equipment supplemented by hand-spading, rodding, or tamping. Use equipment and procedures for consolidation of concrete complying with ACI 309.
  - 2. Do not use vibrators to transport concrete inside forms. Insert and withdraw vibrators vertically at uniformly spaced locations no farther than the visible effectiveness of the machine. Place vibrators to rapidly penetrate placed layer and at least 6 inches (150 mm) into preceding layer. Do not insert vibrators into lower layers of concrete that have begun to set. At each insertion, limit duration of vibration to time necessary to consolidate concrete and complete embedment of reinforcement and other embedded items without causing mix to segregate.
- E. Placing Concrete Slabs: Deposit and consolidate concrete slabs in a continuous operation, within limits of construction joints, until completing placement of a panel or section.
  - 1. Consolidate concrete during placement operations so that concrete is thoroughly worked around reinforcement, other embedded items and into corners.
  - 2. Bring slab surfaces to correct level with a straightedge and strike off. Use bull floats or darbies to smooth surface free of humps or hollows. Do not disturb slab surfaces prior to beginning finishing operations.
  - 3. Maintain reinforcing in proper position during concrete placement.
- F. Cold-Weather Placement: Comply with provisions of ACI 306 and as follows. Protect concrete work from physical damage or reduced strength that could be caused by frost, freezing actions, or low temperatures.
- G. When air temperature has fallen to or is expected to fall below 40°F (4°C), uniformly heat water and aggregates before mixing to obtain a concrete mixture temperature of not less than 50°F (10°C) and not more than 80°F (27°C) at point of placement.
  - 1. Do not use frozen materials or materials containing ice or snow. Do not place concrete on frozen subgrade or on subgrade containing frozen materials.
  - 2. Do not use calcium chloride, salt, or other materials containing antifreeze agents or chemical accelerators unless otherwise accepted in mix designs.
- H. Hot-Weather Placement: When hot weather conditions exist that would impair

quality and strength of concrete, place concrete complying with ACI 305 and as specified.

1. Cool ingredients before mixing to maintain concrete temperature at time of placement to below 90°F (32°C). Mixing water may be chilled or chopped ice may be used to control temperature, provided water equivalent of ice is calculated to total amount of mixing water. Using liquid nitrogen to cool concrete is Contractor's option.
2. Cover reinforcing steel with water-soaked burlap if it becomes too hot, so that steel temperature will not exceed the ambient air temperature immediately before embedding in concrete.
3. Fog spray forms, reinforcing steel, and subgrade just before placing concrete. Keep subgrade moisture uniform without puddles or dry areas.
4. Use water-reducing retarding admixture when required by high temperatures, low humidity, or other adverse placing conditions, as acceptable to the Engineer.

### 3.9 FINISHING FORMED SURFACES

- A. Rough-Formed Finish: Provide a rough-formed finish on formed concrete surfaces not exposed to view in the finished Work or concealed by other construction. This is the concrete surface having texture imparted by form-facing material used, with tie holes and defective areas repaired and patched, and fins and other projections exceeding 1/4 inch (6 mm) in height rubbed down or chipped off.
- B. Smooth-Formed Finish: Provide a smooth-formed finish on formed concrete surfaces exposed to view or to be covered with a coating material applied directly to concrete, or a covering material applied directly to concrete, such as waterproofing, dampproofing, veneer plaster, painting, or another similar system. This is an as-cast concrete surface obtained with selected form-facing material, arranged in an orderly and symmetrical manner with a minimum of seams. Repair and patch defective areas with fins and other projections completely removed and smoothed.
- C. Smooth-Rubbed Finish: Provide smooth-rubbed finish on scheduled concrete surfaces that have received smooth-formed finish treatment not later than 1 day after form removal.
  1. Moisten concrete surfaces and rub with carborundum brick or another abrasive until producing a uniform color and texture. Do not apply cement grout other than that created by the rubbing process.
- D. Grout-Cleaned Finish: Provide grout-cleaned finish on scheduled concrete surfaces that have received smooth-formed finish treatment.
  1. Combine one part portland cement to one and one-half parts fine sand by volume, and a 50:50 mixture of acrylic or styrene butadiene-based bonding admixture and water to form the consistency of thick paint. Blend standard portland cement and white portland cement in amounts determined by trial patches so that final color of dry grout will match adjacent surfaces.

2. Thoroughly wet concrete surfaces, apply grout to coat surfaces, and fill small holes. Remove excess grout by scraping and rubbing with clean burlap. Keep damp by fog spray for at least 36 hours after rubbing.
- E. Related Unformed Surfaces: At tops of walls, horizontal offsets, and similar unformed surfaces adjacent to formed surfaces, strike-off smooth and finish with a texture matching adjacent formed surfaces. Continue final surface treatment of formed surfaces uniformly across adjacent unformed surfaces unless otherwise indicated.

### 3.10 MONOLITHIC SLAB FINISHES

- A. Scratch Finish: Apply scratch finish to monolithic slab surfaces to receive concrete floor topping or mortar setting beds for tile, portland cement terrazzo, and other bonded applied cementitious finish flooring material, and where indicated.
1. After placing slabs, finish surface to tolerances of F(F) 15 (floor flatness) and F(L) 13 (floor levelness) measured according to ASTM E1155 (ASTM E 1155M). Slope surfaces uniformly to drains where required. After leveling, roughen surface before final set with stiff brushes, brooms, or rakes.
- B. Float Finish: Apply float finish to monolithic slab surfaces to receive trowel finish and other finishes as specified; slab surfaces to be covered with membrane or elastic waterproofing, membrane or elastic roofing, or sand-bed terrazzo; and where indicated.
1. After screeding, consolidating, and leveling concrete slabs, do not work surface until ready for floating. Begin floating, using float blades or float shoes only, when surface water has disappeared, or when concrete has stiffened sufficiently to permit operation of power-driven floats, or both. Consolidate surface with power-driven floats or by hand-floating if area is small or inaccessible to power units. Finish surfaces to tolerances of F(F) 18 (floor flatness) and F(L) 15 (floor levelness) measured according to ASTM E 1155 (ASTM E 1155M). Cut down high spots and fill low spots. Uniformly slope surfaces to drains. Immediately after leveling, refloat surface to a uniform, smooth, granular texture.
- C. Trowel Finish: Apply a trowel finish to monolithic slab surfaces exposed to view and slab surfaces to be covered with resilient flooring, carpet, ceramic or quarry tile, paint, or another thin film-finish coating system.
1. After floating, begin first trowel-finish operation using a power-driven trowel. Begin final troweling when surface produces a ringing sound as trowel is moved over surface. Consolidate concrete surface by final hand-troweling operation, free of trowel marks, uniform in texture and appearance, and finish surfaces to tolerances of F(F) 20 (floor flatness) and F(L) 17 (floor levelness) measured according to ASTM E 1155 (ASTM E 1155M). Grind smooth any surface defects that would telegraph through applied floor covering system.

- D. Trowel and Fine Broom Finish: Where ceramic or quarry tile is to be installed with thin-set mortar, apply a trowel finish as specified, then immediately follow by slightly scarifying the surface with a fine broom.
- E. Nonslip Broom Finish: Apply a nonslip broom finish to exterior concrete platforms, steps, and ramps, and elsewhere as indicated.
  - 1. Immediately after float finishing, slightly roughen concrete surface by brooming with fiber-bristle broom perpendicular to main traffic route. Coordinate required final finish with the Engineer before application.

### 3.11 MISCELLANEOUS CONCRETE ITEMS

- A. Filling In: Fill in holes and openings left in concrete structures for passage of work by other trades, unless otherwise shown or directed, after work of other trades is in place. Mix, place, and cure concrete as specified to blend with in-place construction. Provide other miscellaneous concrete filling shown or required to complete Work.
- B. Curbs: Provide monolithic finish to interior curbs by stripping forms while concrete is still green and by steel-troweling surfaces to a hard, dense finish with corners, intersections, and terminations slightly rounded.
- C. Equipment Bases and Foundations: Provide machine and equipment bases and foundations as shown on drawings. Set anchor bolts for machines and equipment to template at correct elevations, complying with diagrams or templates of manufacturer furnishing machines and equipment.
- D. Steel Pan Stairs: Provide concrete fill for steel pan stair treads, landings, and associated items. Cast-in safety inserts and accessories as shown on drawings. Screed, tamp, and trowel-finish concrete surfaces.

### 3.12 CONCRETE CURING AND PROTECTION

- A. General: Protect freshly placed concrete from premature drying and excessive cold or hot temperatures. In hot, dry, and windy weather protect concrete from rapid moisture loss before and during finishing operations with an evaporation-control material. Apply according to manufacturer's instructions after screeding and bull floating, but before power floating and troweling.
- B. Start initial curing as soon as free water has disappeared from concrete surface after placing and finishing. Weather permitting, keep continuously moist for not less than 7 days.
- C. Curing Methods: Cure concrete by curing compound, by moist curing, by moisture-retaining cover curing, or by combining these methods, as specified.
- D. Provide moisture curing by the following methods:

1. Moisture cure all concrete floors scheduled to receive epoxy resin flooring and stained concrete finish.
  2. Keep concrete surface continuously wet by covering with water.
  3. Use continuous water-fog spray.
  4. Cover concrete surface with specified absorptive cover, thoroughly saturate cover with water, and keep continuously wet. Place absorptive cover to provide coverage of concrete surfaces and edges, with a 4 inch (100 mm) lap over adjacent absorptive covers.
- E. Apply curing compound on exposed interior slabs and on exterior slabs, walks, and curbs as follows:
1. Apply curing compound to concrete slabs as soon as final finishing operations are complete (within 2 hours and after surface water sheen has disappeared). Apply uniformly in continuous operation by power spray or roller according to manufacturer's directions. Recoat areas subjected to heavy rainfall within 3 hours after initial application. Maintain continuity of coating and repair damage during curing period.
  2. Use membrane curing compounds that will not affect surfaces to be covered with finish materials applied directly to concrete.
- F. Curing Unformed Surfaces: Cure unformed surfaces, including slabs, floor topping, and other flat surfaces, by applying the appropriate curing method.
1. Final cure concrete surfaces to receive finish flooring with a moisture-retaining cover, unless otherwise directed.

### 3.13 SHORES AND SUPPORTS

- A. General: Comply with ACI347 for shoring and reshoring in multistory construction, and as specified.
- B. Extend shoring at least three floors under floor or roof being placed for structures over four stories. Shore floor directly under floor or roof being placed, so that loads from construction above will transfer directly to these shores. Space shoring in stories below this level in such a manner that no floor or member will be excessively loaded or will induce tensile stress in concrete members where no reinforcing steel is provided. Extend shores beyond minimums to ensure proper distribution of loads throughout structure.
- C. Remove shores and reshore in a planned sequence to avoid damage to partially cured concrete. Locate and provide adequate reshoring to support work without excessive stress or deflection.
- D. Keep reshores in place a minimum of 15 days after placing upper tier, or longer, if required, until concrete has attained its required 28-day strength and heavy loads due to construction operations have been removed.

### 3.14 REMOVING FORMS



- A. General: Formwork not supporting weight of concrete, such as sides of beams, walls, columns, and similar parts of the work, maybe removed after cumulatively curing at not less than 50°F (10°C) for 24 hours after placing concrete, provided concrete is sufficiently hard to not be damaged by form-removal operations, and provided curing and protection operations are maintained.
- B. Formwork supporting weight of concrete, such as beam soffits, joists, slabs, and other structural elements, may not be removed in less than 14 days or until concrete has attained at least 75 percent of design minimum compressive strength at 28 days. Determine potential compressive strength of in-place concrete by testing field-cured specimens representative of concrete location or members.
- C. Form-facing material may be removed 4 days after placement only if shores and other vertical supports have been arranged to permit removal of form-facing material without loosening or disturbing shores and supports.

### 3.15 REUSING FORMS

- A. Clean and repair surfaces of forms to be reused in the Work. Split, frayed, delaminated, or otherwise damaged form-facing material will not be acceptable for exposed surfaces. Apply new form-coating compound as specified for new formwork.
- B. When forms are extended for successive concrete placement, thoroughly clean surfaces, remove fins and laitance, and tighten forms to close joints. Align and secure joint to avoid offsets. Do not use patched forms for exposed concrete surfaces except as acceptable to the Engineer.

### 3.16 CONCRETE SURFACE REPAIRS

- A. Patching Defective Areas: After approval of the Engineer, repair and patch defective areas with cement mortar immediately after removing forms.
- B. Mix dry-pack mortar, consisting of one part portland cement to 2-1/2 parts fine aggregate passing a No. 16 mesh (1.2 mm) sieve, using only enough water as required for handling and placing.
  - 1. Cut out honeycombs, rock pockets, voids over 1/4 inch (6 mm) in any dimension, and holes left by tie rods and bolts down to solid concrete but in no case to a depth less than 1 inch (25 mm). Make edges of cuts perpendicular to the concrete surface. Thoroughly clean, dampen with water, and brush-coat the area to be patched with bonding agent. Place patching mortar before bonding agent has dried.
  - 2. For surfaces exposed to view, blend white portland cement and standard white portland cement so that, when dry, patching mortar will match surrounding color. Provide test areas at inconspicuous locations to verify mixture and color match before proceeding with patching. Compact mortar in place and strike-off

slightly higher than surrounding surface.

- C. Repairing Formed Surfaces: Remove and replace concrete having defective surfaces if defects cannot be repaired to satisfaction of the Engineer. Surface defects include color and texture irregularities, cracks, spalls, air bubbles, honeycomb, rock pockets, fins and other projections on the surface, and stains and other discolorations that cannot be removed by cleaning. Flush out form tie holes and fill with dry-pack mortar or precast cement cone plugs secured in place with bonding agent.
1. Repair concealed formed surfaces, where possible, containing defects that affect the concrete's durability. If defects cannot be repaired, remove and replace the concrete.
- D. Repairing Unformed Surfaces: Test unformed surfaces, such as monolithic slabs, for smoothness and verify surface tolerances specified for each surface and finish. Correct low and high areas as specified. Test unformed surfaces sloped to drain for trueness of slope and smoothness by using a template having the required slope.
1. Repair finished unformed surfaces containing defects that affect the concrete's durability. Surface defects include crazing and cracks in excess of 0.01 inch (0.25 mm) wide or that penetrate to the reinforcement or completely through nonreinforced sections regardless of width, spalling, popouts, honeycombs, rock pockets, and other objectionable conditions.
  2. Correct high areas in unformed surfaces by grinding after concrete has cured at least 14 days.
  3. Correct low areas in unformed surfaces during or immediately after completing surface finishing operations by cutting out low areas and replacing with patching mortar. Finish repaired areas to blend into adjacent concrete. Proprietary underlayment compounds may be used when acceptable to the Engineer.
  4. Repair defective areas, except random cracks and single holes not exceeding 1 inch (25 mm) in diameter, by cutting out and replacing with fresh concrete. Remove defective areas with clean, square cuts and expose reinforcing steel with at least 3/4 inch (19 mm) clearance all around. Dampen concrete surfaces in contact with patching concrete and apply bonding agent. Mix patching concrete of same materials to provide concrete of same type or class as original concrete. Place, compact, and finish to blend with adjacent finished concrete. Cure in same manner as adjacent concrete.
- E. Repair isolated random cracks and single holes 1 inch (25 mm) or less in diameter by dry-pack method. Groove top of cracks and cut out holes to sound concrete and clean of dust, dirt, and loose particles. Dampen cleaned concrete surfaces and apply bonding compound. Place dry-pack before bonding agent has dried. Compact dry-pack mixture in place and finish to match adjacent concrete. Keep patched area continuously moist for at least 72 hours.
- F. Perform structural repairs with prior approval of the Engineer for method and procedure, using specified epoxy adhesive and mortar.

- G. Repair methods not specified above maybe used, subject to acceptance of the Engineer.

### 3.17 QUALITY CONTROL TESTING DURING CONSTRUCTION

- A. General: The Owner will employ a testing agency to perform tests and to submit test reports.
- B. Sampling and testing for quality control during concrete placement may include the following, as directed by the Engineer.
  - 1. Sampling Fresh Concrete: ASTM C 172, except modified for slump to comply with ASTM C 94.
    - a. Slump: ASTM C 143; one test at point of discharge for each day's pour of each type of concrete; additional tests when concrete consistency seems to have changed.
    - b. Air Content: ASTM C 173, volumetric method for lightweight or normal weight concrete; ASTM C 231, pressure method for normal weight concrete; one for each day's pour of each type of air-entrained concrete.
    - c. Concrete Temperature: ASTM C 1064; one test hourly when air temperature is 40°F (4°C) and below, when 80°F (27°C) and above, and one test for each set of compressive-strength specimens.
    - d. Compression Test Specimen: ASTM C 31; one set of four standard cylinders for each compressive-strength test, unless otherwise directed. Mold and store cylinders for laboratory-cured test specimens except when field-cured test specimens are required.
    - e. Compressive-Strength Tests: ASTM C 39; one set for each day's pour exceeding 5 cu. yd. (4 cu. m) plus additional sets for each 50 cu. yd. (38 cu. m) more than the first 25 cu. yd. (19 cu. m) of each concrete class placed in any one day; one specimen tested at 7 days, two specimens tested at 28 days, and one specimen retained in reserve for later testing if required.
  - 2. When frequency of testing will provide fewer than five strength tests for a given class of concrete, conduct testing from at least five randomly selected batches or from each batch if fewer than five are used.
  - 3. When total quantity of a given class of concrete is less than 50 cu. yd. (38 cu. m), the Engineer may waive strength testing if adequate evidence of satisfactory strength is provided.
  - 4. When strength of field-cured cylinders is less than 85 percent of companion laboratory-cured cylinders, evaluate current operations and provide corrective procedures for protecting and curing the in-place concrete.
  - 5. Strength level of concrete will be considered satisfactory if averages of sets of three consecutive strength test results equal or exceed specified compressive strength and no individual strength test result falls below specified compressive strength by more than 500 psi (3.4 MPa).

- C. Test results will be reported in writing to the Engineer, ready-mix producer, and Contractor within 24 hours after tests. Reports of compressive strength tests shall contain the Project identification name and number, date of concrete placement, name of concrete testing service, concrete type and class, location of concrete batch in structure, design compressive strength at 28 days, concrete mix proportions and materials, compressive breaking strength, and type of break for both 7-day tests and 28-day tests.
- D. Nondestructive Testing: Impact hammer, sonoscope, or other nondestructive device may be permitted but shall not be used as the sole basis for acceptance or rejection.
- E. Additional Tests: The testing agency will make additional tests of in-place concrete when test results indicate specified concrete strengths and other characteristics have not been attained in the structure, as directed by the Engineer. Testing agency may conduct tests to determine adequacy of concrete by cored cylinders complying with ASTM C 42, or by other methods as directed.

**END OF SECTION**

**SECTION 038000**  
**CONCRETE STRUCTURES**

**1. DESCRIPTION**

This specification shall govern for construction of all types of structures involving the use of structural concrete, except where the requirements are waived or revised by other governing specifications.

All concrete structures shall be constructed in accordance with the design requirements and details shown on the plans; in conformity with the pertinent provisions of the items contracted for; the incidental specifications referred to; and in conformity with the requirements herein.

**2. MATERIALS**

(1) Concrete. All concrete shall conform to the provisions of Standard Specification Section 030020, "Portland Cement Concrete".

The class of concrete for each type of structure or unit shall be as specified on the plans or by pertinent governing specifications.

(2) Expansion Joint Material.

(a) Preformed Fiber Material. Preformed fiber expansion joint material shall be of the dimensions shown on the plans. At the Contractor's option, the material shall be one of the following types, unless otherwise noted on the plans:

1. Preformed Bituminous Fiber Materials shall meet the requirements of ASTM Designation: D1751 "Standard Specification for Preformed Expansion Joint Filler for Concrete Paving and Structural Construction (Nonextruding and Resilient Bituminous Types)".
2. Preformed Non-Bituminous Fiber Material shall meet the requirements of ASTM Designation: D1751 "Standard Specification for Preformed Expansion Joint Filler for Concrete Paving and Structural Construction (Nonextruding and Resilient Bituminous Types)", except that the requirements pertaining to bitumen content, density and water absorption shall be voided.

(b) Joint Sealing Materials. Unless otherwise shown on the plans, joint sealing material shall conform to the following requirements. The material shall adhere to the sides of the concrete joint or crack and shall form an effective seal against infiltration of water and incompressibles. The material shall not crack or break when exposed to low temperatures.

1. Class 1-a. (Two-Component, Synthetic Polymer, Cold-Extruded Type). Curing is to be by polymerization and not by evaporation of solvent or fluxing of harder particles. This type is specifically designed for vertical or sloping joints and hence not self-leveling. It shall cure sufficiently at an average temperature of 77 degrees F  $\pm$  3 degrees F in a maximum of 24 hours. For performance requirements see under 2.(2)(b)2. below.

2. Class 1-b. (Two-Component, Synthetic Polymer, Cold-Pourable, Self-Leveling Type). Curing is to be by polymerization and not by evaporation of solvent or fluxing of harder particles. It shall cure sufficiently at an average temperature of 77 degrees F  $\pm$  3 degrees F in a maximum of 3 hours.

Performance Requirements: Class 1-a and Class 1-b joint materials, when tested in accordance with TxDOT Test Method Tex-525-C, shall meet the above curing times and the following requirements:

It shall be of such consistency that it can be mixed and poured, or mixed and extruded into joints at temperatures above 60 degrees F.

Penetration, 77° F.:	
150 gm. cone, 5 sec., max., cm.....	0.90
Bond and Extension 75%, O° F, 5 cycles:	
Dry Concrete Blocks .....	Pass
Wet Concrete Blocks .....	Pass
Steel Blocks (Primed if specified by manuf.) .....	Pass
Flow at 200° F.....	None
Water Content % by weight, max.....	5.0
Resilience:	
Original sample min. % (cured) .....	50
Oven aged at 158° F min. % .....	50
For Class 1-a Material Only:	
Cold Flow (10 min.).....	None

(c) Asphalt Board. Asphalt Board shall consist of two liners of 0.016-inch asphalt impregnated paper, filled with a mastic mixture of asphalt and vegetable fiber and/or mineral filler. Boards shall be smooth, flat and sufficiently rigid to permit installation. When tested in accordance with TxDOT Test Method Tex-524-C, the asphalt board shall not deflect from the horizontal more than one inch in three and one-half inches (1" in 3½").

(d) Rebonded Neoprene Filler. Rebonded neoprene filler shall consist of ground closed-cell neoprene particles, rebonded and molded into sheets of uniform thickness, of the dimensions shown on plans.

Filler material shall have the following physical properties and shall meet the requirements of ASTM Designation: D1752 "Standard Specification for Preformed Sponge Rubber and Cork Expansion Joint Fillers for Concrete Paving and Structural Construction", Type 1, where applicable:

<u>PROPERTY</u>	<u>METHOD</u>	<u>REQUIREMENT</u>
Color	ASTM D1752, Type 1	Black
Density	ASTM D1752, Type 1	40 lb./ft <sup>3</sup> Min.
Recovery	ASTM D1752, Type 1	90% Min.
Compression	ASTM D1752, Type 1	50 to 500 psi
Extrusion	ASTM D1752, Type 1	0.25 inch Max.
Tensile Strength	ASTM D1752, Type 1	20 psi Min.
Elongation		75% Min.

The manufacturers shall furnish the Engineer with certified test results as to compliance with the above requirements and a 12 inch x 12 inch x 1 inch sample from the shipment for approval.

(3) Curing Materials.

(a) Membrane curing materials shall comply with ASTM Designation: C309 "Standard Specification for Liquid Membrane-Forming Compounds for Curing Concrete", Type 1 clear or translucent, or Type 2 white-pigmented. The material shall have a minimum flash-point of 80 degrees F when tested by the "Pensky-Martin Closed Cup Method".

It shall be of such consistency that it can be satisfactorily applied as a fine mist through an atomizing nozzle by means of approved pressure spraying equipment at atmospheric temperatures above 40 degrees F.

It shall be of such nature that it will not produce permanent discoloration of concrete surfaces nor react deleteriously with the concrete or its components. Type 1 compound shall contain a fugitive dye that will be distinctly visible not less than 4 hours nor more than 7 days after application. The compound shall produce a firm, continuous, uniform moisture impermeable film free from pinholes and shall adhere satisfactorily to the surfaces of damp concrete. It shall, when applied to the damp concrete surface at the rate of coverage specified herein, be dry to the touch in not more than 4 hours, and shall adhere in a tenacious film without running off or appreciable sagging. It shall not disintegrate, check, peel or crack during the required curing period.

The compound shall not peel or pick up under traffic and shall disappear from the surface of the concrete by gradual disintegration.

The compound shall be delivered to the job only in the manufacturer's original containers, which shall be clearly labeled with the manufacturer's name, the trade name of the material, and a batch number or symbol with which test samples may be correlated.

The water retention test shall be in accordance with TxDOT Test Method Tex-219-F. Percentage loss shall be defined as the water lost after the application of the curing material was applied. The permissible percentage moisture loss (at the rate of coverage specified herein) shall not exceed the following:

24 hours after application.....2 percent  
72 hours after application.....4 percent

Type 1 (Resin Base Only) curing compound will be permitted for slab concrete in bridge decks and top slabs of direct traffic culverts.

(b) Mat curing of concrete is allowed where permitted by Table 1 in this specification or where otherwise approved by the Engineer.

### **3. EXPANSION JOINTS**

Joints and devices to provide for expansion and contraction shall be constructed where and as indicated herein or on the plans.

All open joints and joints to be filled with expansion joint material, shall be constructed using forms adaptable to loosening or early removal. To avoid expansion or contraction damage to the adjacent concrete, these forms shall be loosened as soon as possible after final concrete set to permit free movement without requiring full form removal.

Prior to placing the sealing material, the vertical facing the joint shall be cleaned of all laitance by sandblasting or by mechanical routing. Cracked or spalled edges shall be repaired. The joint shall be blown clean of all foreign material and sealed. Where preformed fiber joint material is used, it shall be anchored to the concrete on one side of the joint by light wire or nails, to prevent the material from falling out. The top one inch (1") of the joint shall be filled with joint sealing material.

Finished joints shall conform to the indicated outline with the concrete sections completely separated by the specified opening or joint material.

Soon after form removal and again where necessary after surface finishing, all projecting concrete shall be removed along exposed edges to secure full effectiveness of the expansion joints.

### **4. CONSTRUCTION JOINTS**

The joint formed by placing plastic concrete in direct contact with concrete that has attained its initial set shall be deemed a construction joint. The term "monolithic placement" shall be interpreted to mean at the manner and sequence of concrete placing shall not create construction joints.

Construction joints shall be of the type and at the locations shown on the plans. Additional joints will not be permitted without written authorization from the Engineer, and when authorized, shall have details equivalent to those shown on the plans for joints in similar locations.

Unless otherwise provided, construction joints shall be square and normal to the forms. Bulkheads shall be provided in the forms for all joints, except when horizontal.

Construction joints requiring the use of joint sealing material shall be as detailed on the plans. The material will be specified on the plans without referenced to joint type.

A concrete placement terminating at a horizontal construction joint shall have the top surface roughened



thoroughly as soon as practicable after initial set is attained. The surfaces at bulkheads shall be roughened as soon as the forms are removed.

The hardened concrete surface shall be thoroughly cleaned of all loose material, laitance, dirt or foreign material, and saturated with water so it is moist when placing fresh concrete against it. Forms shall be drawn tight against the placing of the fresh concrete.

## **5. FORMS**

(1) General. Except where otherwise specified, forms may be of either timber or metal.

Forms for round columns exposed to view shall be of steel, except that other materials will be allowed with written permission of the Engineer.

Forming plans shall be submitted to the Engineer for approval as specified. Forms shall be designed for the pressure exerted by a liquid weighing 150 pounds per cubic foot. The rate of placing the concrete shall be taken into consideration in determining the depth of the equivalent liquid. For job fabricated forms, an additional live load of 50 pounds per square foot shall be allowed on horizontal surfaces. The maximum unit stresses shall not exceed 125 percent of the allowable stresses used by the Texas Department of Transportation for the design of structures.

Commercially produced structural units used in formwork shall not exceed the manufacturer's maximum allowable working load for moment, shear or end reaction. The maximum working load shall include a live load of 35 pounds per square foot of horizontal form surface, and sufficient details and data shall be submitted for use in checking formwork details for approval.

Forms shall be practically mortar-tight, rigidly braced and strong enough to prevent bulging between supports, and maintained to the proper line and grade during concrete placement. Forms shall be maintained in a manner that will prevent warping and shrinkage.

Offset at form joints shall not exceed one-sixteenth of an inch (1/16").

Deflections due to cast-in-place slab concrete and railing shown in the dead load deflection diagram shall be taken into account in the setting of slab forms.

All forms and footing areas shall be cleaned of any extraneous matter before placing concrete.

Permission to place concrete will not be given until all such work is completed to the satisfaction of the Engineer.

If, at any stage of the work, the forms show signs of bulging or sagging, the portion of the concrete causing such condition shall be removed immediately, if necessary, and the forms shall be reset and securely braced against further movement.

(2) Timber Forms. Lumber for forms shall be properly seasoned, of good quality, and free from imperfections which would affect its strength or impair the finished surface of the concrete. The lumber used for facing or sheathing shall be finished on at least one side and two edges and shall be sized to uniform thickness.

Form lining will be required for all formed surfaces, except for the inside of culvert barrels, inlets and manholes; surfaces that are subsequently covered by backfill material or are completely enclosed; and, any surface formed by a single finished board. Lining will not be required when plywood forms are used.

Form lining shall be of an approved type such as Masonite or plywood. Thin membrane sheeting, such as polyethylene sheets, shall not be used for form lining.

Forms may be constructed of plywood not less than one-half inch in thickness, with no form lining required. The grain of the face plies on plywood forms shall be placed parallel to the span between the supporting studs or joists.

Plywood used for forming surfaces that remain exposed shall be equal to that specified as B-B Plyform Class I or Class II Exterior, of the U. S. Department of Commerce, National Bureau of Standards and Technology, latest edition.

Forms or form lumber to be reused shall be maintained clean and in good condition. Any lumber which is split, warped, bulged, marred, or has defects that will produce inferior work, shall not be used and, if condemned, shall be promptly removed from the work.

Studs and joists shall be spaced so that the facing form material remains in true alignment under the imposed loads.

Wales shall be spaced close enough to hold forms securely to the designated lines and scabbed at least 4 feet on each side of joints to provide continuity. A row of wales shall be placed near the bottom of each placement.

Facing material shall be placed with parallel and square joints and securely fastened to supporting studs.

Forms for surfaces receiving only an ordinary finish and exposed to view shall be placed with the form panels symmetrical, i.e., long dimensions set in the same direction. Horizontal joints shall be continuous.

Molding specified for chamfer strips or other uses shall be made of materials of a grade that will not split when nailed and which can be maintained to a true line without warping. Wood molding shall be mill cut and dressed on all faces. Unless otherwise provided, forms shall be filleted at all sharp corners and edges with triangular chamfer strips measuring three-quarter inch (3/4") on the sides.

Forms for railing and ornamental work shall be constructed to standards equivalent to first-class millwork. All moldings, panel work and bevel strips shall be straight and true with nearly mitered joints designed so the finished work is true, sharp and clean cut.

All forms shall be constructed to permit their removal without marring or damaging the concrete. The forms may be given a slight draft to permit ease of removal.

Metal form ties of an approved type or a satisfactory substitute shall be used to hold forms in place and shall be of a type that permits ease of removal of the metal as hereinafter specified.

All metal appliances used inside of forms for alignment purposes shall be removed to a depth of at least

one-half inch (1/2") from the concrete surface. They shall be made so the metal may be removed without undue chipping or spalling, and when removed, shall leave a smooth opening in the concrete surface. Burning off of rods, bolts or ties will not be permitted.

Any wire ties used shall be cut back at least one-half inch (1/2") from the face of the concrete.

Devices holding metal ties in place shall be capable of developing the strength of the tie and adjustable to allow for proper alignment.

Metal and wooden spreaders which are separate from the forms shall be removed entirely as the concrete is being placed.

Adequate clean-out openings shall be provided for narrow walls and other locations where access to the bottom of the forms is not readily attainable.

Prior to placing concrete, the facing of all forms shall be treated with oil or other bond breaking coating of such composition that it will not discolor or otherwise injuriously affect the concrete surface. Care shall be exercised to prevent coating of the reinforcing steel.

(3) Metal Forms. The foregoing requirements for timber forms regarding design, mortar-tightness, filleted corners, beveled projections, bracing, alignment, removal, reuse and wetting shall also apply to metal forms, except that these will not require lining, unless specifically noted on the plans.

The thickness of form metal shall be as required to maintain the true shape without warping or bulging. All bolt and rivet heads on the facing sides shall be countersunk. Clamps, pins or other connecting devices shall be designed to hold the forms rigidly together and to allow removal without injury to the concrete. Metal forms which do not present a smooth surface or line up properly shall not be used. Metal shall be kept free from rust, grease or other foreign materials.

## **6. PLACING REINFORCEMENT**

Reinforcement in concrete structures shall be placed carefully and accurately and rigidly supported as provided in the specification Section 032020 "Reinforcing Steel". Reinforcing steel supports shall not be welded to I-beams or girders.

## **7. PLACING CONCRETE-GENERAL**

The minimum temperature of all concrete at the time of placement shall be not less than 50 degrees F.

The consistency of the concrete as placed should allow the completion of all finishing operations without the addition of water to the surface. When conditions are such that additional moisture is needed for finishing, the required water shall be applied to the surface by fog spray only, and shall be held to a minimum amount. Fog spray for this purpose may be applied with hand operated fogging equipment.

The maximum time interval between the addition of cement to the batch and the placing of concrete in the forms shall not exceed the following:

<u>Air or Concrete Temperature</u>	<u>Maximum Time</u>
Non-Agitated Concrete:	
Above 80 degrees F	15 minutes
Up to 80 degrees F	30 minutes
Agitated Concrete:	
Above 90 degrees F	45 minutes
75 degrees F to 90 degrees F	60 minutes
35 degrees F to 74 degrees F	90 minutes

The use of an approved retarding agent in the concrete will permit the extension of each of the above temperature-time maximums by 30 minutes for direct traffic culverts, and one hour for all other concrete except that the maximum time shall not exceed 30 minutes for non-agitated concrete.

Before starting work, the Contractor shall inform the Engineer fully of the construction methods he proposes to use, the adequacy of which shall be subject to the approval of the Engineer.

The Contractor shall give the Engineer sufficient advance notice before placing concrete in any unit of the structure to permit the inspection of forms, reinforcing steel placement, and other preparations. Concrete shall not be placed in any unit prior to the completion of formwork and placement of reinforcement therein.

Concrete mixing, placing and finishing shall be done during daylight hours, unless adequate provisions are made to light the entire site of all operations.

Concrete placement will not be permitted when impending weather conditions will impair the quality of the finished work. If rainfall should occur after placing operations are started, the Contractor shall provide ample covering to protect the work. In case of drop in temperature, the provisions set forth in Article "Placing Concrete in Cold Weather" of this specification shall be applied.

The placing of concrete shall be regulated so the pressures caused by the plastic concrete shall not exceed the loads used in form design.

The method of handling, placing and consolidation of concrete shall minimize segregation and displacement of the reinforcement, and produce a uniformly dense and compact mass. Concrete shall not have a free fall of more than 5 feet, except in the case of thin walls such as in culverts. Any hardened concrete spatter ahead of the plastic concrete shall be removed.

The method and equipment used to transport concrete to the forms shall be capable of maintaining the rate of placement approved by the Engineer. Concrete may be transported by buckets, chutes, buggies, belt conveyors, pumps or other acceptable methods.

When belt conveyors or pumps are used, sampling for testing will be done at the discharge end. Concrete

transported by conveyors shall be protected from sun and wind, if necessary, to prevent loss of slump and workability. Pipes through which concrete is pumped shall be shaded and/or wrapped with wet burlap, if necessary, to prevent loss of slump and workability. Concrete shall not be transported through aluminum pipes, tubes or other aluminum equipment.

Chutes, troughs, conveyors or pipes shall be arranged and used so that the concrete ingredients will not be separated. When steep slopes are necessary, the chutes shall be equipped with baffle boards or made in short lengths that reverse the direction of movement, or the chute ends shall terminate in vertical downspouts. Open troughs and chutes shall extend, if necessary, down inside the forms or through holes left in them. All transporting equipment shall be kept clean and free from hardened concrete coatings. Water used for cleaning shall be discharged clear of the concrete.

Each part of the forms shall be filled by depositing concrete as near its final position as possible. The coarse aggregate shall be worked back from the face and the concrete forced under and around the reinforcement bars without displacing them. Depositing large quantities at one point and running or working it along the forms will not be allowed.

Concrete shall be deposited in the forms in layers of suitable depth but not more than 36 inches in thickness, unless otherwise directed by the Engineer.

The sequence of successive layers or adjacent portions of concrete shall be such that they can be vibrated into a homogenous mass with the previously placed concrete without a cold joint. Not more than one hour shall elapse between adjacent or successive placements of concrete. Unauthorized construction joints shall be avoided by placing all concrete between the authorized joints in one continuous operation.

An approved retarding agent shall be used to control stress cracks and/or unauthorized cold joints in mass placements where differential settlement and/or setting time may induce stress cracking.

Openings in forms shall be provided, if needed, for the removal of laitance or foreign matter of any kind.

All forms shall be wetted thoroughly before the concrete is placed therein.

All concrete shall be well consolidated and the mortar flushed to the form surfaces by continuous working with immersion type vibrators. Vibrators which operate by attachment to forms or reinforcement will not be permitted, except on steel forms. At least one stand-by vibrator shall be provided for emergency use in addition to those required for placement.

The concrete shall be vibrated immediately after deposit. Prior to the beginning of work, a systematic spacing of the points of vibration shall be established to insure complete consolidation and thorough working of the concrete around the reinforcement, embedded fixtures, and into the corners and angles of the forms. Immersion type vibrators shall be inserted vertically, at points 18 to 30 inches apart, and slowly withdrawn. The vibrator may be inserted in a sloping or horizontal position in shallow slabs. The entire depth of each lift shall be vibrated, allowing the vibrator to penetrate several inches into the preceding lift. Concrete along construction joints shall be thoroughly consolidated by operating the vibrator along and close to but not against the joint surface. The vibration shall continue until thorough consolidation, and complete embedment of reinforcement and fixtures is produced, but not long enough to cause segregation. Vibration may be supplemented by hand spading or rodding, if necessary, to insure the flushing of mortar to the surface of all forms.

Slab concrete shall be mixed in a plant located off the structure. Carting or wheeling concrete batches over completed slabs will not be permitted until they have aged at least four (4) full curing days. If carts are used, timber planking will be required for the remainder of the curing period. Carts shall be equipped with pneumatic tires. Curing operations shall not be interrupted for the purpose of wheeling concrete over finished slabs.

After concrete has attained its initial set, at least one (1) curing day shall elapse before placing strain on projecting reinforcement to prevent damage to the concrete.

The storing of reinforcing or structural steel on completed roadway slabs generally shall be avoided and, when permitted, shall be limited to quantities and distribution that will not induce excessive stresses.

## **8. PLACING CONCRETE IN COLD WEATHER**

(1) Cast-in-Place Concrete. Concrete may be placed when the atmospheric temperature is not less than 35 degrees F. Concrete shall not be placed in contact with any material coated with frost or having a temperature less than 32 degrees F.

Aggregates shall be free from ice, frost and frozen lumps. When required, in order to produce the minimum specified concrete temperature, the aggregate and/or the water shall be heated uniformly, in accordance with the following:

The water temperature shall not exceed 180 degrees F, and/or the aggregate temperature shall not exceed 150 degrees F. The heating apparatus shall heat the mass of aggregate uniformly. The temperature of the mixture of aggregates and water shall be between 50 degrees F and 85 degrees F before introduction of the cement.

All concrete shall be effectively protected as follows:

(a) The temperature of slab concrete of all unformed surfaces shall be maintained at 50 degrees F or above for a period of 72 hours from time of placement and above 40 degrees F for an additional 72 hours.

(b) The temperature at the surface of all concrete in piers, culverts walls, retaining walls, parapets, wingwalls, bottoms of slabs, and other similar formed concrete shall be maintained at 40 degrees F or above for a period of 72 hours from time of placement.

(c) The temperature of all concrete, including the bottom slabs of culverts placed on or in the ground, shall be maintained above 32 degrees F for a period of 72 hours from time of placement.

Protection shall consist of providing additional covering, insulated forms or other means, and if necessary, supplementing such covering with artificial heating. Curing as specified under Article "Curing Concrete" of this specification shall be provided during this period until all requirements for curing have been satisfied.

When impending weather conditions indicate the possibility of the need for such temperature protection, all necessary heating and covering material shall be on hand ready for use before permission is granted to

begin placement.

Sufficient extra test specimens will be made and cured with the placement to ascertain the condition of the concrete as placed, prior to form removal and acceptance.

(2) Precast Concrete. A fabricating plant for precast products which has adequate protection from cold weather in the form of permanent or portable framework and covering, which protects the concrete when placed in the forms, and is equipped with approved steam curing facilities, may place concrete under any low temperature conditions provided:

- (a) The framework and covering are placed and heat is provided for the concrete and the forms within one hour after the concrete is placed. This shall not be construed to be one hour after the last concrete is placed, but that no concrete shall remain unprotected longer than one hour.
- (b) Steam heat shall keep the air surrounding the concrete between 50 degrees F and 85 degrees F for a minimum of three hours prior to beginning the temperature rise which is required for steam curing.
- (c) For fabricating plants without the above facilities and for job site precast products, the requirements of the Article "Curing Concrete" of this specification shall apply.

The Contractor is responsible for the protection of concrete placed under any and all weather conditions. Permission given by the Engineer for placing concrete during freezing weather will in no way relieve the Contractor of the responsibility for producing concrete equal in quality to that placed under normal conditions. Should concrete placed under such conditions prove unsatisfactory, it shall be removed and replaced at no additional cost.

## **9. PLACING CONCRETE IN WATER**

Concrete shall be deposited in water only when specified on the plans or with written permission by the Engineer. The forms or cofferdams shall be sufficiently tight to prevent any water current passing through the space in which the concrete is being deposited. Pumping will not be permitted during the concrete placing, nor until it has set for at least 36 hours.

The concrete shall be placed with a tremie, closed bottom-dump bucket, or other approved method, and shall not be permitted to fall freely through the water nor shall it be disturbed after it has been placed. The concrete surface shall be kept approximately level during placement.

The tremie shall consist of a water-tight tube 14 inches or less in diameter. It shall be constructed so that the bottom can be sealed and opened after it is in place and fully charged with concrete. It shall be supported so that it can be easily moved horizontally to cover all the work area and vertically to control the concrete flow.

Bottom-dump buckets used for underwater placing shall have a capacity of not less than one-half cubic yard. It shall be lowered gradually and carefully until it rests upon the concrete already placed and raised very slowly during the upward travel; the intent being to maintain still water at the point of discharge and to avoid agitating the mixture.

The placing operations shall be continuous until the work is complete.

#### **10. PLACING CONCRETE IN BOX CULVERTS**

In general, construction joints will be permitted only where shown on the plans.

Where the top slab and walls are placed monolithically in culverts more than 4 feet in clear height, an interval of not less than one (1) nor more than two (2) hours shall elapse before placing the top slab to allow for shrinkage in the wall concrete.

The base slab shall be finished accurately at the proper time to provide a smooth uniform surface. Top slabs which carry direct traffic shall be finished as specified for roadway slabs in Article "Finish of Roadway Slabs". Top slabs of fill type culverts shall be given a reasonably smooth float finish.

#### **11. PLACING CONCRETE IN FOUNDATIONS AND SUBSTRUCTURE**

Concrete shall not be placed in footings until the depth and character of the foundation has been inspected by the Engineer and permission has been given to proceed.

Placing of concrete footings upon seal concrete courses will be permitted after the caissons or cofferdams are free from water and the seal concrete course cleaned. Any necessary pumping or bailing during the concreting operation shall be done from a suitable sump located outside the forms.

All temporary wales or braces inside cofferdams or caissons shall be constructed or adjusted as the work proceeds to prevent unauthorized construction joints in footings or shafts.

When footings can be placed in a dry excavation without the use of cofferdams or caissons, forms may be omitted, if desired by the Contractor and approved by the Engineer, and the entire excavation filled with concrete to the elevation of the top of footing; in which case, measurement for payment will be based on the footing dimensions shown on the plans.

#### **12. TREATMENT AND FINISHING OF HORIZONTAL SURFACES EXCEPT ROADWAY SLABS**

All unformed upper surfaces shall be struck off to grade and finished. The use of mortar topping for surfaces under this classification will not be permitted.

After the concrete has been struck off, the surface shall be floated with a suitable float. Sidewalks shall be given a wood float or broom finish, or may be striped with a brush, as specified by the Engineer. Other surfaces shall be wood float finished and striped with a fine brush leaving a fine-grained texture.

#### **13. FINISH OF ROADWAY SLABS**

As soon as the concrete has been placed and vibrated in a section of sufficient width to permit working, the surface shall be approximately leveled, struck off and screeded, carrying a slight excess of concrete ahead of the screed to insure filling of all low spots. The screed shall be designed rigid enough to hold true to shape and shall have sufficient adjustments to provide for the required camber. A vibrating screed may be used if heavy enough to prevent undue distortion. The screeds shall be provided with a metal edge.



Longitudinal screeds shall be moved across the concrete with a saw-like motion while their ends rest on headers or templates set true to the roadway grade or on the adjacent finished slab.

The surface of the concrete shall be screeded a sufficient number of times and at such intervals to produce a uniform surface, true to grade and free of voids.

If necessary, the screeded surface shall be worked to smooth finish with a long handled wood or metal float of the proper size, or hand floated from bridges over the slab.

When required by the Engineer, the Contractor shall perform sufficient checks with a long handled 10-foot straightedge on the plastic concrete to insure that the final surface will be within the tolerances specified below. The check shall be made with the straightedge parallel to the centerline. Each pass thereof shall lap half of the preceding pass. All high spots shall be removed and all depressions over one-sixteenth inch ( $1/16''$ ) in depth shall be filled with fresh concrete and floated. The checking and floating shall be continued until the surface is true to grade and free of depressions, high spots, voids or rough spots.

Rail support holes shall be filled with concrete and finished to match the top of the slab.

A broom finish shall be applied with longitudinal screeding. A broom or burlap drag finish shall be applied with transverse screeding.

Unless otherwise specified, the burlap drag shall consist of four or more layers of 10-ounce burlap fabric, free of seams, dirt or hardened concrete. It shall be kept wet when in use and it shall be drawn over the surface in as many passes as required to produce the desired texture depth. Broom finishes shall be applied with stiff bristled brooms. The Contractor shall have on hand, at all times, brooms for the purpose of providing the desired texture depth when surface conditions are such that the burlap drag will not provide it.

Upon completion of the floating and/or straight edging and before the disappearance of the moisture sheen, the surface shall be given a broom or burlap drag finish. The grooves of these finishes shall be parallel to the structure centerline. It is the intent that the average texture depth resulting from the number of tests directed by the Engineer be not less than 0.035 inch with a minimum texture depth of 0.030 inch for any one test when tested in accordance with TxDOT Test Method Tex-436-A. Should the texture depth fall below that intended, the finishing procedures shall be revised to produce the desired texture.

After the concrete has attained its final set, the roadway surface shall be tested with a standard 10-foot straightedge. The straightedge shall be placed parallel to the centerline of roadway to bridge any depressions and touch high spots. Ordinates of irregularities measured from the face of the straightedge to the surface of the slab shall not exceed one-eighth of an inch ( $1/8''$ ), making proper allowances for camber, vertical curvature and surface texture. Occasional variations, not exceeding three-sixteenth of an inch ( $3/16''$ ) will be acceptable, if in the opinion of the Engineer it will not affect the riding qualities.

When directed by the Engineer, irregularities exceeding the above requirements shall be corrected.

In all roadway slab finishing operations, camber for specified vertical curvature and transverse slopes shall be provided.

#### **14. CURING CONCRETE**

The Contractor shall inform the Engineer fully of the methods and procedures proposed for curing; shall provide the proper equipment and material in adequate amounts; and shall have the proposed methods, equipment and material approved prior to placing concrete.

Inadequate curing and/or facilities, therefore, shall be cause for the Engineer to stop all construction on the job until remedial action is taken.

All concrete shall be cured for a period of four (4) curing days except as noted herein.

#### EXCEPTIONS TO 4-DAY CURING

<u>Description</u>	<u>Required Curing</u>
Upper Surfaces of Bridge Slabs and Top Slabs of Direct Traffic Culverts	8 curing days (Type I or III) cement 10 curing days (Type II cement)
Concrete Piling (non-prestressed)	6 curing days

When the air temperature is expected to drop below 35 degrees F, the water curing mats shall be covered with polyethylene sheeting, burlap-polyethylene blankets or other material to provide the protection required by Article "Placing Concrete in Cold Weather" of these specifications.

A curing day is defined as a calendar day when the temperature, taken in the shade away from artificial heat, is above 50 degrees F for at least 19 hours (colder days if satisfactory provisions are made to maintain the temperature of all surfaces of the concrete above 40 degrees F for the entire 24 hours). The required curing period shall begin when all concrete therein has attained its initial set.

The following methods are permitted for curing concrete subject to the restrictions of Table 1 and the following requirements for each method of curing.

(1) Form Curing. When forms are left in contact with the concrete, other curing methods will not be required except for cold weather protection.

(2) Water Curing. All exposed surfaces of the concrete shall be kept wet continuously for the required curing time. The water used for curing shall meet the requirements for concrete mixing water as specified in the specification Section 030020 "Portland Cement Concrete". Seawater will not be permitted. Water which stains or leaves an unsightly residue shall not be used.

(a) Wet Mat. Cotton mats shall be used for this curing method. They shall be placed as soon as possible after the surface has sufficiently hardened to prevent damage to the concrete. (See Article, "Placing Concrete" of this specification.) Damp burlap blankets made from nine-ounce stock may be placed on the damp concrete surface for temporary protection prior to the application of the cotton mats which may be placed dry and wetted down after placement.

The mats shall be weighted down adequately to provide continuous contact with all concrete surfaces where possible. The surfaces of the concrete shall be kept wet for the required curing time. Surfaces which cannot be cured by contact shall be enclosed with mats and anchored positively to the forms or to the ground so that outside air cannot enter the enclosure. Sufficient

moisture shall be provided inside the enclosure to keep all surfaces of the concrete wet.

(b) Water Spray. This curing method shall consist of overlapping sprays or sprinklers that keep all unformed surfaces continuously wet.

(c) Ponding. This curing method requires the covering of the surfaces with a minimum of two inches (2") of clean granular material, kept wet at all times, or a minimum of one-inch (1") depth of water. Satisfactory provisions shall be made to provide a dam to retain the water or saturated granular material.

(3) Membrane Curing. This consists of curing concrete pavement, concrete pavement (base), curbs, gutters, retards, sidewalks, driveways, medians, islands, concrete riprap, cement-stabilized riprap, concrete structures and other concrete as indicated on the plans by impervious membrane method.

Unless otherwise provided herein or shown on the plans, either Type 1-D or Type 2 membrane curing compound may be used where permitted except that Type 1-D (Resin Base Only) will be required for slab concrete in bridge decks and top slabs of direct traffic culverts.

**TABLE 1**

STRUCTURE UNIT DESCRIPTION	<u>REQUIRED</u>		<u>PERMITTED</u>	
	<u>WATER FOR CURING</u>	<u>MEMBRANE FOR INTERIM CURING</u>	<u>WATER FOR CURING</u>	<u>MEMBRANE FOR INTERIM CURING</u>
1. Top slabs of direct traffic culverts	X	X		
2. Top surface of any concrete unit upon which concrete is to be placed and bonded at later interval (Stub walls, risers, etc.). Other Superstructure concrete (wing walls, parapet walls, etc.)	X			
3. Concrete pavement (base), curbs, gutters, retards, sidewalks, driveways, medians, islands, concrete structures, concrete riprap, etc.			X*	X*
4. All substructure concrete, culverts, box sewers, inlets, manholes, retaining walls			X*	X*

\*Polyethylene sheeting, burlap-polyethylene mats or laminated mats to prevent outside air from entering

will be considered equivalent to water or membrane curing for items 3 and 4.

Membrane curing shall not be applied to dry surfaces, but shall be applied just after free moisture has disappeared. Formed surfaces and surfaces which have been given a first rub shall be dampened and shall be moist at the time of application of the membrane.

When membrane is used for complete curing, the film shall remain unbroken for the minimum curing period specified. Membrane which is damaged shall be corrected immediately by reapplication of membrane. Unless otherwise noted herein or on the plans, the choice of membrane type shall be at the option of the Contractor. Only one type of curing compound will be permitted on any one structure.

The membrane curing compound shall be applied after the surface finishing has been completed, and immediately after the free surface moisture has disappeared. The surface shall be sealed with a single uniform coating of curing compound applied at the rate of coverage recommended by the manufacturer and directed by the Engineer, but not less than 1 gallon per 180 square feet of area. The Contractor shall provide satisfactory means and facilities to properly control and check the rate of application of the compound.

The compound shall be thoroughly agitated during its use and shall be applied by means of approved mechanical power pressure sprayers. The sprayers used to apply the membrane to concrete pavement or concrete pavement (base) shall travel at uniform speed along the forms and be mechanically driven. The equipment shall be of such design that it will insure uniform and even application of the membrane material. The sprayers shall be equipped with satisfactory atomizing nozzles. Only on small miscellaneous items will the Contractor be permitted to use hand-powered spray equipment. For all spraying equipment, the Contractor shall provide facilities to prevent the loss of the compound between the nozzle and the concrete surface during the spraying operations.

The compounds shall not be applied to a dry surface. If the surface of the concrete has become dry, it shall be moistened prior to application of membrane by fogging or mist application. Sprinkling or coarse spraying will not be allowed.

At locations where the coating shows discontinuities, pinholes or other defects, or if rain falls on the newly-coated surface before the film has dried sufficiently to resist damage, an additional coat of the compound shall be applied immediately at the same rate of coverage specified herein.

To insure proper coverage, the Engineer shall inspect all treated areas after application of the compound for the period of time designated in the governing specification for curing, either for membrane curing or for other methods. Should the foregoing indicate that any area during the curing period is not protected, an additional coat or coats of the compound shall be applied immediately, and the rate of application of the membrane compound shall be increased until all areas are uniformly covered.

When temperatures are such as to warrant protection against freezing, curing by this method shall be supplemented with an approved insulating material capable of protecting the concrete for the specified curing period.

If at any time there is reason to believe that this method of curing is unsatisfactory or is detrimental to the work, the Contractor, when notified, shall immediately cease the use of this method and shall change to curing by one of the other methods specified under this contract.

## **15. REMOVAL OF FORMS**

Except as herein provided, forms for vertical surfaces may be removed when the concrete has aged not less than one day (24 hours) when Type I and Type II cement is used, and not less than one-half day (12 hours) when Type III cement is used, provided it can be done without damage to the concrete.

Forms for inside curb faces may be removed in approximately three hours provided it can be done without damage to the curb.

## **16. FINISHING EXPOSED SURFACES**

Concrete shall be finished as required in the specification Section for the respective item or as otherwise specified on the plans.

An ordinary surface finish shall be applied to all concrete surfaces either as a final finish or preparatory to a higher finish.

Ordinary Surface Finish shall be as follows:

1. After form removal, all porous or honey-combed areas and spalled areas shall be corrected by chipping away all loose or broken material to sound concrete.
2. Feather edges shall be eliminated by cutting a face perpendicular to the surface. Shallow cavities shall be repaired using adhesive grout or epoxy grout. If judged repairable by the Engineer, large defective areas shall be corrected using concrete or other material approved by the Engineer.
3. Holes and spalls caused by removal of metal ties, etc., shall be cleaned and filled with adhesive grout or epoxy grout. Exposed parts of metal chairs on surfaces to be finished by rubbing, shall be chipped out to a depth of one-half inch (1/2") and the surface repaired.
4. All fins, runs, drips or mortar shall be removed from surfaces which remain exposed. Form marks and chamfer edges shall be smoothed by grinding and/or dry rubbing.
5. Grease, oil, dirt, curing compound, etc., shall be removed from surfaces requiring a higher grade of finish. Discolorations resulting from spillage or splashing of asphalt, paint or other similar material shall be removed.
6. Repairs shall be dense, well bonded and properly cured, and when made on surfaces which remain exposed and do not require a higher finish, shall be finished to blend with the surrounding concrete.

## **17. MEASUREMENT AND PAYMENT**

This project is a lump sum bid. The work governed by this specification shall not be measured for pay, but shall

be subsidiary to the project.

**END OF SECTION**

**SECTION 050200**  
**WELDING**

**1. DESCRIPTION**

This specification shall govern for the field welding of structural steel and reinforcing steel.

Provisions are made herein for the welding of the types of steel listed in Table 1, using the manual shielded metal-arc process, semi-automatic (manual) gas metal-arc welding and flux cored arc welding processes. Other welding processes may be permitted with the specific approval of the Engineer and with qualification of the welding procedure.

**2. STRUCTURAL STEEL GENERAL**

Final welds including tack welds to be incorporated therein shall be by a certified welder. Certification being previously certified by tests as prescribed in the "Code for Welding in Building Construction," ASW D1.0-69, of the American Welding Society to perform the type of work required. Miscellaneous welds may be made by a qualified welder, qualified welder being an experienced welder who is capable of making good welds of sound quality, but does not have certification papers. Miscellaneous welds being, welds that have no load carrying capacity in the completed structure. Tack welds shall be cleaned and fused thoroughly with the final weld. Defective, cracked or broken tack welds shall be removed.

Welds shall be as required by the contract or erection drawings. The location or size shall not be changed without approval of the Engineer.

The welder shall place his identification mark with crayon or paint near the groove welds made by him.

No welding will be allowed when the air temperature is lower than 20°F, when surfaces are wet or exposed to rain, snow, or wind, or when operators are exposed to inclement conditions that will hamper good workmanship.

Any moisture present at the point of welding shall be driven off by heat before welding commences. Wind breaks shall be required for the protection of all welding operations.

There shall be no temporary welds for transportation, erection or other purpose on main members, except at locations more than one-sixth the depth of the web from the flanges of beams and girders, as approved by the Engineer.

On A514 steel, all groove welds in main members and in flanges of beams and girders subject to tensile stress or reversals of stress shall be finished smooth and flush on all surfaces, including edges, by grinding in the direction of applied stress, leaving the surfaces free from depressions. Chipping may be used provided it is followed by such grinding. Parts joined by groove welds connecting plates of unequal thickness or width shall have a smooth transition between offset surfaces at a slope not greater than one in four with the surface of either part. The surfaces shall be ground so that the radii at the points of transition will be 4 inches minimum.

All groove welds, except when produced with the aid of backing, shall have the root of the initial weld gouged, chipped or otherwise removed to sound metal before welding is started from the second side, except that back gouging will not be required when welding steel piling or armor joints with E 6010 electrodes. The back side shall be thoroughly cleaned before placing back-up pass.

When backing for welds is left in place to become a part of the structure, it shall be a single length insofar as possible. Where more than a single length is needed, they shall be jointed by full penetration butt welds. The surfaces of this butt weld shall be ground flush as necessary to obtain proper fit-up in the weld joint.

Before welding over previously deposited metal, all slag shall be removed, and the weld and adjacent base metal shall be cleaned. This requirement shall apply equally to successive layers, successive beads and the crater area.

Arc strikes outside the area of permanent welds must be avoided on all steels. Where they do occur, resulting cracks and blemishes shall be ground out to a smooth contour and checked to insure soundness.

Stringer bead technique shall be used where possible for groove welds on all types of steel. Weaving will not be permitted for A514 steel except in welding vertically upward, when a weave not exceeding two electrode diameters is permissible for manual shielded metal-arc welding.

In all welding processes, the progression for all passes in vertical welding shall be upward using a back step sequence.

Groove welds shall begin and terminate at the ends of a joint on extension bars. Edge preparation and thickness of extension bars shall be the same as that of the member being welded and shall extend a minimum of three-fourths inch beyond the joint. Extension bars shall be removed with a cutting torch upon completion and cooling of the weld, and the flange edges shall be smooth.

Any defects exposed by the grinding shall be cleaned, filled with weld metal, and reground to a uniform finish. All grinding shall be parallel to the flange. Excess grinding of the parent metal shall be avoided.

### **3. FILLER METAL**

Electrodes for manual shielded metal-arc welding shall conform to the requirements of the latest edition of "Specifications for Mild Steel Covered Arc-Welding Electrodes", AWS A5.1, or to the requirements of the latest edition of "Specification for Low Alloy Steel Covered Arc-Welding Electrodes," AWS A5.5.

All electrodes and combination of electrode and shielding for gas metal-arc welding for producing weld metal with a minimum specified yield point not exceeding 60,000 psi shall conform to the requirements in the latest edition, "Specification for Mild Steel Electrodes for Gas Metal-Arc Welding," AWS A5.18, or "Specification for Mild Steel Electrodes for Flux Cored Arc Welding," AWS A5.20, applicable for the classifications producing weld metal having a minimum impact strength of 20 ft. -lb., Charpy V-notch, at a temperature of 0°F or below.

For weld metal with a minimum specified yield strength exceeding 60,000 psi, the Contractor shall demonstrate that each electrode and flux or combination of electrode and shielding medium proposed for use will produce low alloy weld metal having the mechanical properties listed in Table A.

The mechanical properties shall be determined from a multiple pass weld made in accordance with the test requirements of the latest edition of AWS A5.18 or AWS A5.20 as applicable.



TABLE A

Required Mechanical Properties

GMAW Grade	FCAW Grade	Tensile Strength psi - Min	Yield Strength psi - Min	Elongation, % in 2 inches Min	Impact Strength ft-lb @ OF-Min
E80S	E80T	80,000	65,000	18	20
E90S	E90T	90,000	78,000	17	20
E100S	E100T	100,000	90,000	16	20
E110S	E110T	110,000	98,000	15	20

The mechanical property tests for Grades E110S, E110S, E100T and E110T shall be made using ASTM A 514 base material.

Class of electrode required will be as shown in Table A. Electrodes shall be used with the type of current, the polarity and in the positions permitted by AWS A5.1 and A5.5 for manual shielded metal-arc welding. AWS A5.18 and A5.20 Specifications shall govern for gas metal-arc welding and flux cored arc welding.

TABLE 1  
CLASSIFICATION OF ELECTRODES PERMITTED

Type of Steel	Main Members Groove & Fillet Welds		Secondary Members Groove & Fillet Welds	
Steel Piling	E6010	E60T-8	E60XX	E70S-6
	E6011	E70D-1B	E70XX	E70U-1
A53 Pipe, A500	E7015	E70S-2	E70S-1B	E60T-8
A501	E7016	E70S-3	E70S-2	
	E7018	E70S-6	E70S-3	
Armor Joints		E-70U-1		
A36	E7015	E703-1B	E7015	E70S-1B
A441	E7016	E70S-2	E7016	E70S-2
A572-Grades 42 thru 50	E7018	E70S-3	E7018	E70S-3
	E70U-1	E70S-6	E70T-1	E70S-6
A588	E70T-5	E70S-6	E70T-5	E70U-1
A242(Deck Plates)			E70T-6	
API				
A514		E11018M		E11018M
	E110S	E110T	E110S	E110T
Reinforcing Steel	E7015	E7016	E7018	
A572 Grades 60 and 65 for Light Towers	E8015	E8016	E8018 Grades E80S or E80T	

1. Use of the same type electrode with the next higher mechanical properties, in accordance with AWS A5.1 or A5.5, than those listed will be permitted.
2. In joint involving base metals of difference yield points or strengths, low hydrogen electrodes applicable to the lower strength base metal may be used.

Before use, all electrodes with low hydrogen coverings conforming to AWS A5.1 shall be dried for not less than two hours between 450° and 500°F and electrodes with low hydrogen coverings conforming to AWS A5.5 for not less than one hour at a temperature between 700° and 800°F. Immediately after drying, electrodes shall be stored in ovens held at a temperature of at least 250°F. E70 electrodes not used within four hours, E80 within two hours and E110 within one-half hour after removal from the storage oven shall be redried before use. Electrodes which have been wet or with cracked or otherwise damaged flux shall not be used. When used for welding A514 steel, electrodes shall be dried at least one hour at temperatures between 700° and 800°F before being used. Electrodes shall be redried only once.

Suitable facilities for drying and storage of electrodes shall be furnished at the job site, along with thermometers for checking and controlling the oven temperature.

In humid atmospheres, the times allowed for use without redrying may be reduced.

When gas or gas mixture is used for gas metal-arc or flux cored arc welding, it shall be of a welding grade having a dew point of -40°F or lower. The gas manufacturer shall furnish certification to the Engineer that the gas or gas mixture is suitable for the intended application and will meet the dew point requirements.

Welding wire coils removed from the original package, shall be protected or stored to keep their characteristics or welding properties intact. Rusty coils, or portions of coils that are rusty shall not be used.

### 3. Preheat

Preheat ahead of welding both groove and fillet welds (including tack welding) will be required as shown in Table 2. Any moisture present at the point of welding shall be driven off by preheating before welding begins. When the base metal is below the required temperature, it shall be preheated so the parts being welded are not less than the specified temperature within 3 inches of the point of welding.

Preheat and interpass temperatures must be sufficient to prevent crack formation. The preheat temperatures shown are minimum and higher preheats may be necessary in highly restrained welds.

Preheating equipment shall be adequate to maintain the entire joint at or above the specified temperature. When possible, a joint shall be completely welded before it is allowed to cool below the specified temperature but shall always be welded sufficiently to prevent cracking before cooling is permitted.

Usually preheat and interpass temperatures shall not exceed 400°F for thickness up to 1 1/2 inches and 450°F for greater thickness. These temperatures shall never be exceeded on A514 steel.

The welder shall have and use approved equipment for checking preheat and interpass temperatures at all times while welding is in progress.

For all groove welds, preheat temperature shall be measured on the side opposite to which the heat is applied at points about three inches away from the joint.

TABLE 2

MINIMUM PREHEAT AND INTERPASS TEMPERATURE FOR  
MANUAL SHIELDED METAL-ARC WELDING, FLUX  
CORED ARC WELDING OR GAS METAL-ARC WELDING

MANUAL OR SEMI-AUTOMATIC  
GAS METAL-ARC WELDING, FLUX CORED ARC WELDING OR  
MANUAL SHIELDED METAL-ARCH WELDING

Thickness of Thickness Part at Point of Welding	With Low Hydrogen Electrodes	
	ASTM A 36: A 242; A 441 A 572 Grades 42, 45, and 50; A 588	ASTM A 514
To 3/4, inch	50F	50F
Over 3/4 to 1 1/2, inch	70F	125F
Over 1 1/2 to 2 1/2, inch	150F	175F
Over 2 ½	225F	225F

1. These temperatures are the minimum required for the thinner material shown for each increment and higher preheat on a step basis will be required for the thicker material within each increment. Preheat and interpass temperatures must be sufficient to prevent crack formation. Temperature above those shown may be required for highly restrained welds.
2. When E7010 electrodes are permitted for tacking or temporary root pass, the material shall be preheated to 400°F.
3. When joining steels of different strengths or thickness with groove welds, the preheat and interpass temperature for the higher strength steel and the average plat thickness shall be used. For fillet welds, the preheat shall be used for the higher strength steel and the thickest plate being welded.
4. When the base metal temperature is below 32°F preheat to at least 70°F and maintain this minimum temperature during welding.
5. Heat input when welding A514 steel shall not exceed the steel producers' recommendations.

**4. QUALITY OF WELDS**

Weld metal shall be sound throughout.

There shall be no cracks in any weld or weld pass.

There shall be complete fusion between the weld metal and the base metal and between successive passes throughout the joint.

Welds shall be free from overlap and the base metal free from undercut more than one one-hundredth inch deep when its direction is transverse to the primary stress in the part that is undercut. Undercut shall not be more than one thirty-second inch deep when its direction is parallel to the primary stress in the part that is undercut.

All craters shall be filled to the full cross section of the welds.

All welds on A514 steel shall be visually examined for longitudinal or transverse cracks not less than 48 hours after completion of the welding.

## **5. CORRECTIONS**

When welding is unsatisfactory or indicates inferior workmanship, the following corrective measures will be required by the Engineer whose specific approval shall be obtained for making each correction.

When requirements prescribe the removal of part of the weld or a portion of the base metal, removal shall be by oxygen gouging or arc-air gouging.

Oxygen gouging shall not be used on A514 steel. All surfaces shall be ground after arc-air gouging.

Backgouging of splices in beams and girders or cutouts of defective welds shall be done by a welder qualified to make beam and girder splices.

Where corrections require the deposition of additional weld metal, the sides of the area to be welded shall have sufficient slope to permit depositing new metal.

Defective or unsound welds shall be corrected either by removing and replacing the entire weld, or as follows:

Excessive convexity. Reduce to size by grinding off the excess weld metal.

Shrinkage cracks, cracks in base metal, craters and excessive porosity. Remove defective portions of base and weld metal down to sound metal and replace with additional sound weld metal.

Undercutting, undersize, and excessive concavity. Clean and deposit additional weld metal.

Overlapping and incomplete fusion. Remove and replace the defective portion of weld.

Slag inclusions. Remove the parts of the weld containing slag and replace with sound weld metal.

Removal of an adjacent base metal during welding. Clean and form full size by depositing additional weld metal.

Where corrections require the deposition of additional weld metal, the electrode used shall be smaller than that used for making the original weld. Surfaces shall be cleaned thoroughly before rewelding.

A cracked weld shall be removed throughout its length, unless the extent of the crack can be ascertained to be limited, in which case the weld metal shall be removed 2 inches beyond each end of the crack and repairs made.

Where work performed after the making of a deficient weld has made the weld inaccessible or has caused

new conditions making the correction of the deficiency dangerous or ineffectual, the original conditions shall be restored by removal of welds or members, or both, before making the necessary corrections, or else the deficiency shall be compensated by additional work according to a revised design approved by the Engineer.

Improperly fitted and misaligned parts shall be cut apart and re-welded.

Members distorted by the heat of welding shall be straightened by mechanical means or by the carefully supervised application of a limited amount of localized heat. Heated areas shall not exceed 1200°F as measured by Tempil-sticks or other approved methods for steel up to 65,000 psi yield strength. Parts to be heat straightened shall be substantially free of stress from external forces, except when mechanical means are used in conjunction with the application of heat.

Heat straightening of A514 steel shall be done only under rigidly controlled procedures, subject to the approval of the Engineer. In no case shall the maximum temperature of the steel exceed 1100°F. Sharp kinks and bends shall be cause for rejection of the material.

## **6. RADIOGRAPHIC INSPECTION**

All groove welds designed to carry primary stresses shall be subject to radiographic inspection. When subjected to such inspections, the presence of any of the following defects in excess of the limits indicated will result in rejection of the defective weld until corrected.

1. Sections of welds shown to have any cracking, regardless of length or locations, incomplete fusion, overlapping, or inadequate penetration shall be judged unacceptable.
2. Inclusions less than one-sixteenth inch in greatest dimension including slag, porosity and other deleterious material, shall be permitted if well dispersed so that the sum of the greatest dimensions of the inclusions in any linear inch of welded joint shall not exceed three-eighths inch.
3. Inclusions one-sixteenth inch or larger in greatest dimension shall be permitted provided such defects do not exceed the limits shown on Figure 1 or in paragraph (2) above.
4. There shall be no inclusion greater than one-sixteenth inch within one inch of the edge of part or member at the join or point of restraint.

### **NOTES:**

1. The distance from the edge of an inclusion to the edge of a plate or to any intersecting weld shall be equal to or greater than the clearance between inclusion.
2. Inclusions with any dimension greater than 1/2 inch are not acceptable.
3. For joint thickness greater than 1-1/2 inches, the minimum allowable dimension and spacing of inclusions shall be the same as for 1-1/2 inch joints.
4. Values of (B) obtained by projecting horizontally from (A) are maximum value. Any value of (B) smaller than the maximum is satisfactory.

5. Values of (C) obtained by projecting vertically from (B) are minimum values. Any value of (C) larger than the minimum is satisfactory.

Radiographic inspection shall be made of A514 steel not less than 48 hours following the completion of the welding. For other steels, nondestructive inspection may begin immediately after welding and cleaning or grinding is completed.

Definitions:

Porosity signifies gas pockets or any similar generally globular type voids.

Fusion-type defect signifies slag inclusions and similar elongated defects.

## **7. REINFORCING STEEL GENERAL**

Provisions are made herein for the welding of reinforcing steel by the manual shielded metal-arc process. Other processes may be permitted with the specific approval of the Engineer or may be specified on the plans.

Splicing of reinforcing steel by welding shall be done only at locations approved by the Engineer.

## **8. BASE METAL**

Reinforcing steel to be welded shall be new billet steel conforming to ASTM Designation: A615. and shall also conform to the following chemical composition:

Maximum Carbon	0.40 Percent
Maximum Manganese	1.30 Percent

## **9. FILLER METAL**

Low hydrogen electrodes as specified in Table 1 will be required for all welding or reinforcing steel. Drying of electrodes shall be as specified in Article, "Filler Metal" for Structural Steel.

## **10. PREHEAT AND INTERPASS TEMPERATURE**

Minimum preheat and interpass temperatures shall be as shown in Table 3.

TABLE 3

CARBON RANGE	NO. 7 & SMALLER	NO. 8 & LARGER
Up to and including 0.30	None	100
0.31 to 0.35 inclusive	None	150
0.36 to 0.40 inclusive	100	250
Unknown	250	400

For widening projects, use carbon content and bar size of new steel to determine preheat required.

## **11. JOINT TYPES**

For all bars No. 8 and larger, butt splices will be required. For No. 7 bars and smaller, lap splices will be required.

Fillet welds in lap splices shall be minimum of 4 inches in length and shall be welded on each side of the lap joint. For bars No. 5 and smaller, welding from one side of the lap will be permitted by the Engineer, when it is impractical to weld from both sides of the joint, and the weld shall be a minimum of 6 inches in length.

Lap welds shall meet the requirements specified in Table 4.

Where possible, all butt splices shall be made in the flat position. All butt splices, except horizontal, shall be as shown in Figure 2 with the back-up strip required. Horizontal splices shall be as shown in Figure 3.

BAR SIZE	"a"	"b" (MAX).	"t" (MIN.)	"c" (MAX.)	ELECTRODE SIZE
No. 4	.04 in.	1/8 in.	1/8 in.	1/16 in.	1/8 in.
No. 5	.05 in.	1/8 in.	1/16 in.	1/16 in.	5/32 in.
No. 6	.06 in.	1/8 in.	1/4 in.	1/16 in.	5/32 in.
No. 7	.07 in.	3/16 in.	5/16 in.	1/16 in.	5/32 in.

## **12. WIDENING PROJECTS**

In general, the new reinforcing steel shall be either lap or butt spliced directly to the bar to be extended. When the reinforcement in the old portion of a structure is found to be of the wrong spacing, dowel bars long enough to develop the welded lap or butt splice and also develop the bar in bond, as required in the specification, "Reinforcing Steel", shall be welded to the old steel, and the new reinforcement placed at the correct spacing without welding to the old steel. No measurement or payment will be made for the dowels but will be subsidiary to the other items in the contract.

Both old and new reinforcement shall be cleaned thoroughly prior to the preparation of the joint.

## **13. RADIOGRAPHIC INSPECTION**

When so designated on the plans, welded butt splices shall be radiographed. Weld quality shall be as follows: There shall be no cracks and the sum of the greatest dimensions of porosity and fusion-type defects shall not exceed one-tenth of the nominal bar diameter in inches.

## **14. MEASUREMENT AND PAYMENT**

No measurement or payment will be made under this specification for the work prescribed but shall be considered subsidiary to the various other items in the proposal.

**END OF SECTION**



**SECTION 055420**  
**FRAMES, GRATES, RINGS AND COVERS**

**1. DESCRIPTION**

This specification shall govern for the furnishing and installation of frames, grates, rings and covers for inlets, manholes and other structures in accordance with those details. Steel shall conform to the requirements of ASTM Designation: A36 "Standard Specification for Carbon Structural Steel".

**2. MATERIALS**

Welded steel grates and frames shall conform to the member size, dimensions and details shown on the plans and shall be welded into an assembly in accordance with those details. Steel shall conform to the requirements of ASTM Designation: A36.

Castings, whether Carbon-Steel, Gray Cast Iron or Ductile Iron, shall conform to the shape and dimensions shown on the plans and shall be clean substantial castings, free from burnt-on sand or blow holes, and shall be reasonable smooth. Runners, risers, fins, and other cast-on pieces shall be removed from the castings and such areas ground smooth. Bearing surfaces between manhole rings and covers or grates and frames shall be cast or machined with such precision that uniform bearing shall be provided throughout the perimeter contact area. Pairs of machined castings shall be matchmarked to facilitate subsequent identification at installation.

Steel castings shall conform to the requirements of ASTM Designation: A27 "Standard Specification for Steel Castings, Carbon, for General Application". Grade 70-36 shall be furnished unless otherwise specified.

Cast Iron castings shall conform to the requirements of ASTM Designation: A48 "Standard Specification for Gray Iron Castings", Class 30.

Ductile iron castings shall conform to the requirements of ASTM Designation: A536 "Standard Specification for Ductile Iron Castings". Grade 60-40-18 shall be used otherwise specified.

**3. CONSTRUCTION METHODS**

Frames, grates, rings and covers shall be constructed of the materials as specified and in accordance with the details shown on the plans, and shall be placed carefully to the lines and grades indicated on the plans or as directed by the Engineer.

All welding shall conform to the requirements of specification Section 050200 "Welding" and the applicable section of the latest American Welding Society Specifications. Frames, grates, rings and covers shall be given one coat of a commercial grade red lead and oil paint and two coats of commercial grade aluminum paint.

Painting on gray iron castings will not be required, except when used in conjunction with structural steel shapes.

Commercial grade galvanized bolts and nuts shall be used. The zinc coating shall be uniform in thickness, smooth and continuous.

#### **4. MEASUREMENT AND PAYMENT**

Unless indicated otherwise in the Proposal, frames, grates, rings and covers will not be measured for payment, but shall be considered subsidiary to other bid items. This project is a lump sum bid. The work governed by this specification shall not be measured for pay, but shall be subsidiary to the project.

**END OF SECTION**

**SECTION 150620**  
**PLUMBING (S-90)**

**1. DESCRIPTION**

This specification shall govern all work necessary for the installation of plumbing required to complete the project.

**2. MATERIALS**

Pipe shall be hot-dipped galvanized steel water pipe schedule 40.

Fittings shall be threaded type using galvanized malleable iron fittings. All joints shall be coated with an appropriate epoxy and up to 3 inches of the adjoining pipe, after installation.

Pipe Supports shall rigidly support pipe to concrete bulkhead. Clamps shall be galvanized steel with an epoxy coating applied both before and after installation. Perforated strap hangers will not be permitted.

Water Faucet shall be 3/4" hose connection, rough brass, T-handle and of good quality.

**3. PERMITS AND BUILDING CODES**

The Contractor shall be responsible for obtaining plumbing permit and work shall comply with applicable requirements of the City.

**4. CONSTRUCTION METHODS**

A. Handling Materials

The Contractor shall be responsible for the safe storage of all materials furnished to or by him and accepted by him until it has been incorporated into the completed project. The interior of all pipes shall be kept free from dirt and foreign matter. All materials found during the progress of work to have defects will be rejected, and the Contractor shall remove such defective material from the site.

B. Sterilization

Fittings: Valves and fittings shall be kept clean. Where soil or other substances come in contact with the water surface of the fittings, the interior shall be washed and sterilized with 2% solution of calcium hypochlorite.

Pipe: As each joint of pipe is placed the contractor, unless specified otherwise by the Engineer, shall throw powdered calcium hypochlorite (70%) through the length of the joint. (One pound for each 1680 gallons of water to give 50 mg./1.) After the line is assembled, it shall be slowly filled with water and allowed to stand for 48 hours. After sterilization is completed, lines shall be flushed. The Engineer will take a sample test 2 hours after refilling. If the sample does not pass State Health Department purification standards, the procedure shall be repeated. The entire procedure shall be coordinated with and under the supervision of the Water Division Superintendent/Engineer. During the sterilization, process valves shall be operated only under the supervision of the Water Division Superintendent/Engineer. There shall be a fee of \$100 paid by the Contractor to the City for each retest that is required.

C. Hydrostatic Testing Water System

See Section 026202 Hydrostatic Testing of Pressure System.

#### **5. MEASUREMENT-**

Unless specified otherwise in the special provisions, measurement shall be made as follows:

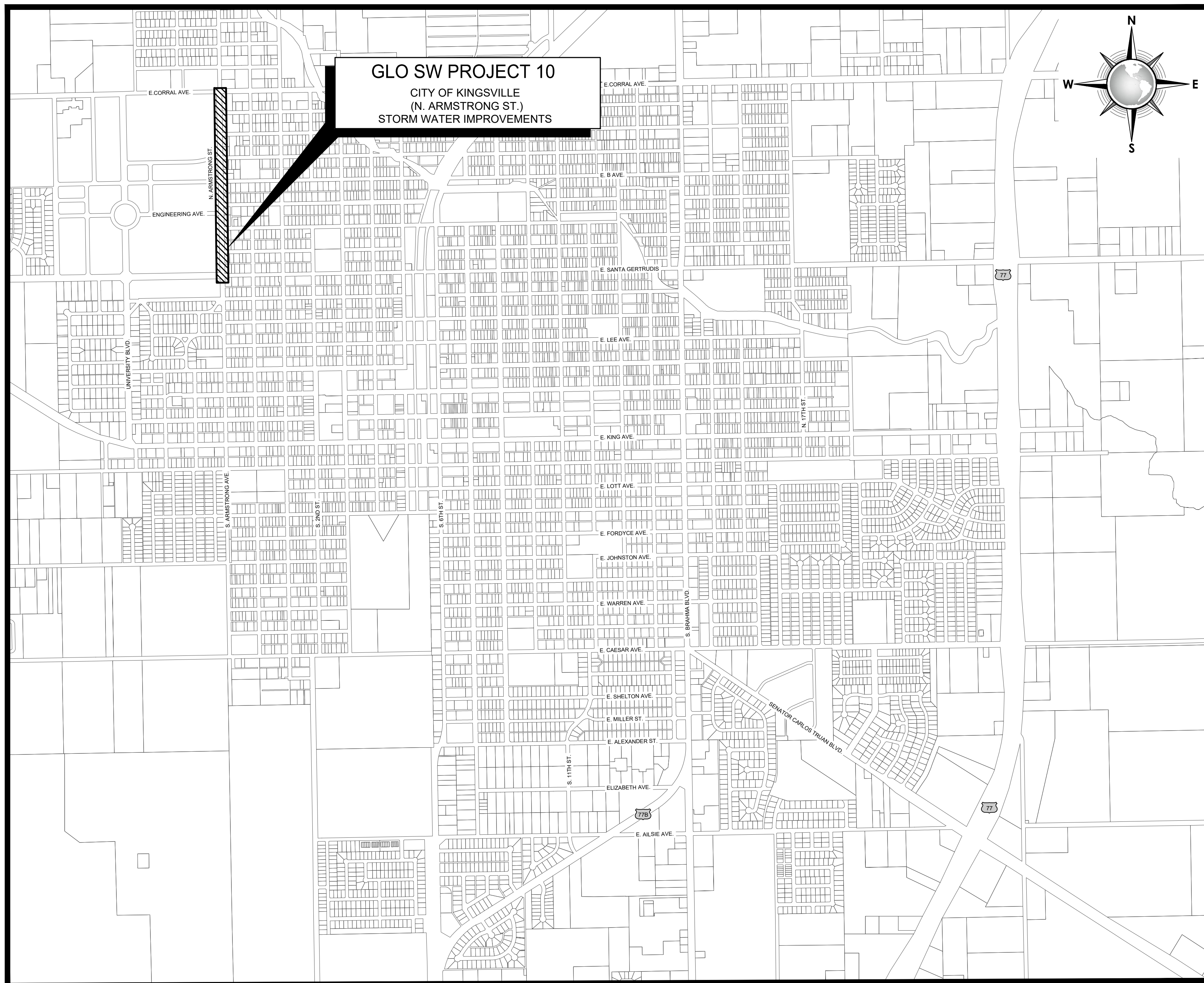
Pipe will be measured by the linear foot along the centerline for each size of pipe installed. Measurement shall be up to but not include the fittings.

Fittings will be measured as individual units for each type and size installed.

#### **6. PAYMENT**

Payment shall include but not limited to all materials, labor, equipment, support clamps, testing, sterilization, and all other incidentals necessary to complete the job.

CITY OF KINGSVILLE  
 GLO SW PROJECT 10  
 (N. ARMSTRONG ST.)  
 STORM WATER IMPROVEMENTS  
 KINGSVILLE, KLEBERG COUNTY, TEXAS  
 (CDBG-MIT GLO CONTRACT NO. 22-085-009-D237)



1 LOCATION MAP  
 T1 T1 SCALE: 1"=1000'

CITY OF KINGSVILLE

MAYOR.....SAM FUGATE  
 CITY COMMISSIONER.....HECTOR HINOJOSA  
 CITY COMMISSIONER.....EDNA LOPEZ  
 CITY COMMISSIONER.....NORMA NELDA ALVAREZ  
 CITY COMMISSIONER.....LEO ALARCON  
 CITY ENGINEER.....RUTILIO "RUDY" MORA, JR., P.E., CFM

FILE NAME: I:\Projects\2021\city of kingsville\GLO-LOC10 SW N ARMSTRONG ST\1-COVER SHEET.dwg LAYOUT NAME: TITLE PLOTTED: Tuesday, February 04, 2025 - 1:19pm USER: martin




REVISION NO.		DATE		BY		DESCRIPTION	
A		02-04-25		JCC		REV. 1	
DRAWING NO.		CITY OF KINGSVILLE GLO SW PROJECT 10 (N. ARMSTRONG ST.) STORM WATER IMPROVEMENTS KINGSVILLE, KLEBERG COUNTY, TEXAS					
SHEET 1 of 56		T1		TITLE SHEET			
CONSULTANT'S SHEET PROJECT NO. 21107-01B							



## SHEET INDEX

SHEET	DWG. NO.	TITLE
1	T1	TITLE SHEET
2	C1	SHEET INDEX
3	C2	GENERAL NOTES
4	C3	LEGENDS
5	C4	ESTIMATED QUANTITIES
6	C5	PROJECT ALIGNMENT PLAN I STA. 0+00 (B.O.P.) TO STA. 20+00
7	C6	PROJECT ALIGNMENT PLAN II STA. 20+00 TO STA. 29+85 (E.O.P.)
8	C7	PROJECT CONTROL POINT DATA LAYOUT 1 & 2
9	C8	PROJECT CONTROL POINT DATA LAYOUT 3
10	C9	EXISTING TOPOGRAPHY PLAN I STA. 0+00 (B.O.P.) TO STA. 20+00
11	C10	EXISTING TOPOGRAPHY PLAN II STA. 20+00 TO STA. 29+85 (E.O.P.)
12	C11	STORM WATER POLLUTION PREVENTION PLAN I STA 0+00 (B.O.P.) TO STA 20+00
13	C12	STORM WATER POLLUTION PREVENTION PLAN II STA. 20+00 TO STA. 29+85 (E.O.P.)
14	C13	DEMOLITION PLAN I STA 0+00 (B.O.P.) TO STA 20+00
15	C14	DEMOLITION PLAN II STA. 20+00 TO STA. 29+85 (E.O.P.)
16	C15	STORM WATER PLAN & PROFILE I STA. 0+00 (B.O.P.) TO STA. 5+00
17	C16	STORM WATER PLAN & PROFILE II STA. 5+00 TO STA. 10+00
18	C17	STORM WATER PLAN & PROFILE III STA. 10+00 TO STA. 15+00
19	C18	STORM WATER PLAN & PROFILE IV STA. 15+00 TO STA. 20+00
20	C19	STORM WATER PLAN & PROFILE V STA. 20+00 TO STA. 25+00
21	C20	STORM WATER PLAN & PROFILE VI STA. 25+00 TO STA. 29+85 (E.O.P.)
22	C21	STORM WATER LATERALS I
23	C22	STORM WATER LATERALS II
24	C23	STORM WATER LATERALS III
25	C24	STORM WATER DETAILS I
26	C25	STORM WATER DETAILS II
27	C26	PAVMENT, SIDEWALK, CURB AND GUTTER DETAILS
28	C27	WATER STANDARD DETAILS I
29	C28	WATER STANDARD DETAILS II
30	C29	WATER STANDARD DETAILS III
31	C30	WATER STANDARD DETAILS IV
32	C31	TRAFFIC CONTROL PLAN CROSS SECTION I
33	C32	TRAFFIC CONTROL PLAN CROSS SECTION II
34	C33	TRAFFIC CONTROL PLAN PHASE I
35	C34	TRAFFIC CONTROL PLAN PHASE II
36	C35	TRAFFIC CONTROL PLAN PHASE III
37	C36	TRAFFIC CONTROL PLAN PHASE IV
38	C37	TRAFFIC CONTROL PLAN PHASE V
39	C38	TRAFFIC CONTROL PLAN PHASE VI
40	C39	TRAFFIC CONTROL PLAN PHASE VII
41	C40	TRAFFIC CONTROL PLAN PHASE VIII
42	C41	TRAFFIC CONTROL PLAN PHASE IX
43	C42	TRAFFIC CONTROL PLAN PHASE X
44	C43	TXDOT - BARRICADE AND CONSTRUCTION GENERAL NOTES AND REQUIREMENTS - BC(1)-21
45	C44	TXDOT - BARRICADE AND CONSTRUCTION PROJECT LIMIT - BC(2)-21
46	C45	TXDOT - BARRICADE AND CONSTRUCTION WORK ZONE SPEED LIMIT - BC (3)-21
47	C46	TXDOT - BARRICADE AND CONSTRUCTION TEMPORARY SIGN NOTES - BC(4)-21
48	C47	TXDOT - BARRICADE AND CONSTRUCTION TYPICAL SIGN SUPPORT - BC(5)-21
49	C48	TXDOT - BARRICADE AND CONSTRUCTION PORTABLE CHANGEABLE MESSAGE SIGN (PCMS) - BC(6)-21
50	C49	TXDOT - BARRICADE AND CONSTRUCTION ARROW PANEL, REFLECTORS, WARNING LIGHTS, & ATTENUATOR - BC(7)-21
51	C50	TXDOT - BARRICADE AND CONSTRUCTION CHANNELIZING DEVICE - BC(8)-21
52	C51	TXDOT - BARRICADE AND CONSTRUCTION CHANNELIZING DEVICE - BC(9)-21
53	C52	TXDOT - BARRICADE AND CONSTRUCTION CHANNELIZING DEVICE - BC(10)-21
54	C53	TXDOT - TEMPORARY EROSION, SEDIMENT AND WATER POLLUTION CONTROL MEASURE FENCE & VERTICAL TRACKING - EC(1)-16
55	C54	TXDOT - TEMPORARY EROSION, SEDIMENT AND WATER POLLUTION CONTROL MEASURE EROSION CONTROL LOG - EC(9)-16
56	C55	STORM WATER RUNOFF AND CURB INLET CALCULATIONS

FILE NAME: I:\Projects\2021\city of kingsville\GLO-LOC10 SW N ARMSTRONG ST\1-COVER SHEET.dwg LAYOUT NAME: SHEET INDEX PLOTTED: Tuesday, February 04, 2025 - 11:13am USER: martin

CONSULTANT'S SHEET PROJECT NO. 21107-01B	
	2/04/25
	
INTERNATIONAL CONSULTING ENGINEERS 261 SARATOGA BLVD. CORPUS CHRISTI, TX 78417 PHONE: 361.626.5805 FAX: 361.626.5806 I.B.P.E. FIRM REGISTRATION #F-10837	
	BY DATE
REVISION NO.	DESCRIPTION
<b>CITY OF KINGSVILLE GLO SW PROJECT 10 (N. ARMSTRONG ST.) STORM WATER IMPROVEMENTS</b> KINGSVILLE, KLEBERG COUNTY, TEXAS	
<b>SHEET INDEX</b>	
DRAWING NO. <h1 style="font-size: 2em;">C1</h1>	
SHEET 2 of 56	



1. GENERAL NOTES

- 1. ALL CONSTRUCTION TO BE IN ACCORDANCE WITH CITY OF KINGSVILLE PUBLIC WORKS SPECIFICATIONS.
2. ALL CONSTRUCTION TO BE COORDINATED WITH CITY OF KINGSVILLE.
3. CONTRACTOR SHALL OBTAIN ALL REGULATORY PERMITS AND COST TO BE INCIDENTAL TO BID ITEMS.
...
39. REFER TO CONTRACT DOCUMENTS AND BID SPECIFICATIONS FOR MITIGATION MEASURES.

2. SITE EXCAVATION AND GRADING

- 1. COMPLETELY REMOVE ALL TREES, SHRUBS, AND STUMPS FROM THE CONSTRUCTION AREA. REMOVE ALL CONCRETE SLABS, CONCRETE WALLS, FOUNDATIONS, ROADWAYS, ETC., ON THE SITE AS REQUIRED TO PROPERLY CONSTRUCT THE PROJECT.
2. BEFORE EXCAVATION HAS BEGUN, STRIP THE TOPSOIL AS INDICATED ON PLANS FROM AREAS TO BE EXCAVATED OR OCCUPIED BY ROADS, SIDEWALKS, ETC., AND PILE IN DESIGNATED LOCATIONS WHERE IT WILL NOT INTERFERE WITH BUILDINGS OR UTILITY OPERATIONS.
...
10. DIRT DEBRIS DISPOSAL SHALL BE COORDINATED WITH THE CITY OF KINGSVILLE.

3. TRAFFIC CONTROL

- 1. THE CONTRACTOR SHALL BE RESPONSIBLE FOR PROVIDING A TRAFFIC CONTROL PLAN AND MAINTAIN THE TRAFFIC CONTROL THROUGHOUT THE DURATION OF THE CONTRACT IN ACCORDANCE WITH THE "TEXAS MANUAL ON UNIFORM TRAFFIC CONTROL DEVICES" AND THE TxDOT STANDARDS SHEETS.
2. ALL TRAFFIC CONTROL DEVICES SHALL CONFORM WITH THE TEXAS MANUAL ON UNIFORM TRAFFIC CONTROL DEVICES AND IN ACCORDANCE WITH THE TRAFFIC CONTROL DEVICE STANDARD DETAILS.
...
13. THE CONTRACTOR SHALL MAINTAIN STREET ACCESS TO THE RESIDENTS OF THE STREETS BEING WORKED.

4. STREETS

- 1. ALL STREET DIMENSIONS SHOWN ON PLANS ARE TO THE BACK OF CURBS UNLESS NOTED OTHERWISE.
2. STREET MILLING IS MEASURED FROM EDGE TO EDGE THROUGHOUT THE LIMITS OF PAVEMENT CONSTRUCTION UNLESS SPECIFIED IN THE PLAN SHEETS.
3. WHERE EXISTING ASPHALT AND CONCRETE ARE TO BE CUT, THESE CUTS SHALL BE VERTICAL AND MADE WITH A SAW.
...
16. MILLINGS SHALL BE THE PROPERTY OF THE CITY OF KINGSVILLE AND DELIVERED TO 1300 E. CORRAL ST., KINGSVILLE, TX 78363

5. UTILITIES AND STORM SEWER

- 1. ALL ABANDONED PIPES (OLD WATERLINES, DITCH CULVERTS, SHALLOW UTILITY SERVICES) WITHIN LIMITS OF NEW ROW SHALL BE REMOVED AND PROPERLY DISPOSED. THIS GENERALLY APPLIES TO ALL UNWANTED PIPES THAT ARE WITHIN A FOOT OF SUBGRADE AND DITCH CULVERTS AND ANY ABANDONED LINES TO REMAIN IN PLACE SHALL BE CAPED AT THE ENDS WHEN CUT FOR PROPOSED CONSTRUCTION.
2. CONTRACTOR SHALL COORDINATE WITH THE CITY OF KINGSVILLE PUBLIC WORKS REPRESENTATIVE. TO EVALUATE IF EXISTING STORM WATER DRAINAGE CULVERT IS SALVAGEABLE.
...
8. ALL ACP DESIGNATED FOR REMOVAL SHALL BE DISPOSED OF IN STRICT ACCORDANCE WITH LOCAL, STATE AND FEDERAL REGULATIONS.

6. SANITARY SEWER NOTES

- 1. ALL SEWERS AND MANHOLES SHALL BE TESTED IN ACCORDANCE WITH TCEQ.
2. IT IS REQUIRED THAT A CCTV INSPECTION AND REPORT OF THE EXISTING LINES MUST BE SUBMITTED AND APPROVED BY THE CITY OF KINGSVILLE PUBLIC WORKS PRIOR TO ACCEPTANCE.
3. NEITHER BLUE PVC PIPE NOR DUCTILE IRON PIPE SHALL BE USED FOR SANITARY SEWERS.
...
9. ANY ACP DESIGNATED FOR REMOVAL SHALL BE DISPOSED OF IN STRICT ACCORDANCE WITH LOCAL, STATE, & FEDERAL REGULATIONS.

SPECIAL NOTE:

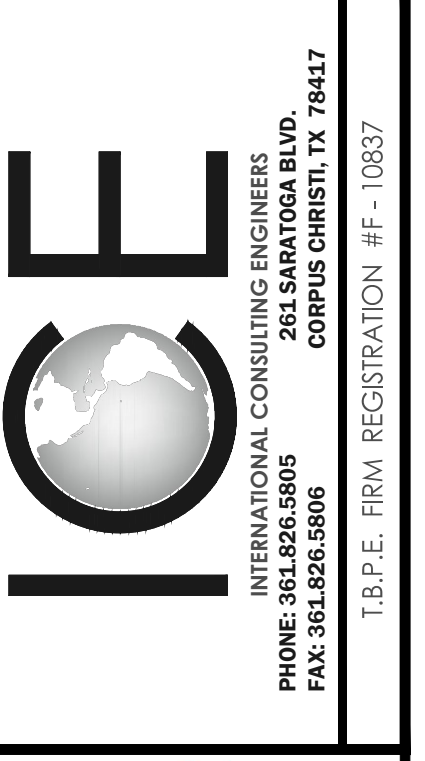
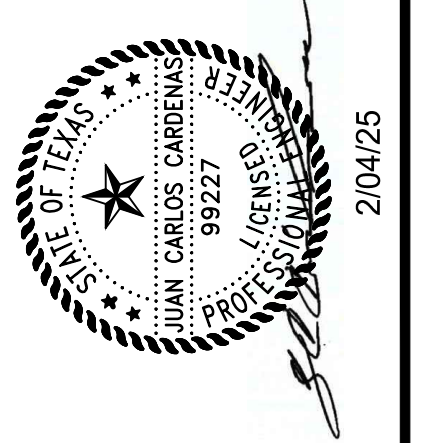
NOTE:
CONTRACTOR TO NOTIFY ALL AGENCIES LISTED BELOW AT LEAST 2 WEEKS
CITY OF KINGSVILLE PUBLIC WORKS .....(361) 595-8041
KLEBERG COUNTY SHERIFF'S DEPARTMENT .....(361) 595-8500
CITY OF KINGSVILLE POLICE .....(361) 592-4311
CITY OF KINGSVILLE FD/EMT .....(361) 592-6445
KINGSVILLE I.S.D .....(361) 592-3387
TXDOT ALICE AREA OFFICE .....(361) 661-7050

CONTRACTOR SHALL NOTIFY PROPERTY OWNERS AFFECTED BY CONSTRUCTION ACTIVITIES AT LEAST 2 WEEKS PRIOR TO CONSTRUCTION.

7. ENVIRONMENTAL

- 1. ALL EFFORTS WILL BE MADE THROUGH PROPER CONSTRUCTION METHODS TO ENSURE DUST CONTROL AND PROPERLY FUNCTIONING EQUIPMENT.
2. IF ANY PERSONNEL IDENTIFY AN OBSERVABLE SHEEN OR PETROLEUM ODOR DURING EXCAVATION, "STOP WORK AUTHORITY" MUST BE EMPLOYED UNTIL IT IS DETERMINED TO BE SAFE TO PROCEED BY A QUALIFIED PROFESSIONAL.
...
18. BEST MANAGEMENT PRACTICES SHALL BE USED TO CONTROL RUNOFF FROM CONSTRUCTION SITES TO PREVENT DETRIMENTAL IMPACT TO SURFACE AND GROUND WATER.

CONSULTANT'S SHEET
PROJECT NO. 21107-01B



REVISION NO. DATE BY DESCRIPTION

CITY OF KINGSVILLE GLO SW PROJECT 10 (N. ARMSTRONG ST.) STORM WATER IMPROVEMENTS KINGSVILLE, KLEBERG COUNTY, TEXAS

DRAWING NO. C2

REVISION NO. DATE JCC BY SHEET 3 of 56

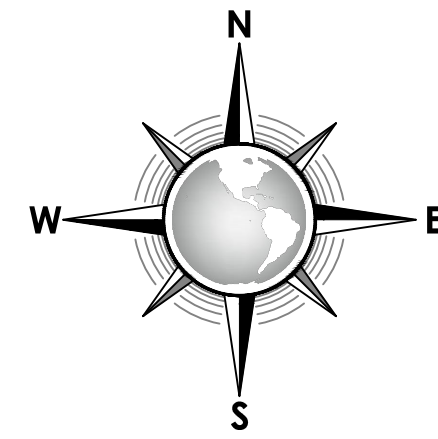
FILE NAME: I:\Projects\2021\City of Kingsville\GLO-LOC10 SW N ARMSTRONG ST V1 - Drawings\2 - CIVIL\CI-GENERAL NOTES.dwg LAYOUT NAME: Layout1 PLOTTED: Tuesday, February 04, 2025 - 11:44am USER: mortin



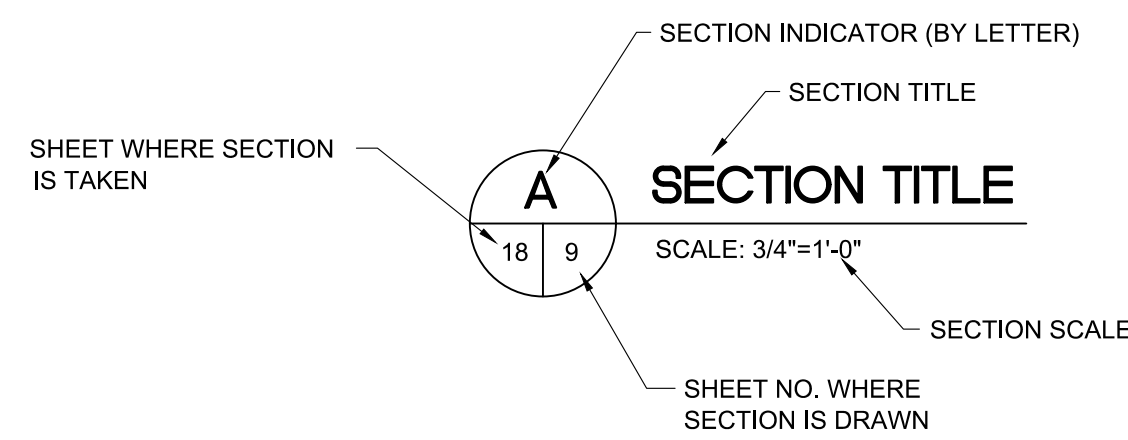
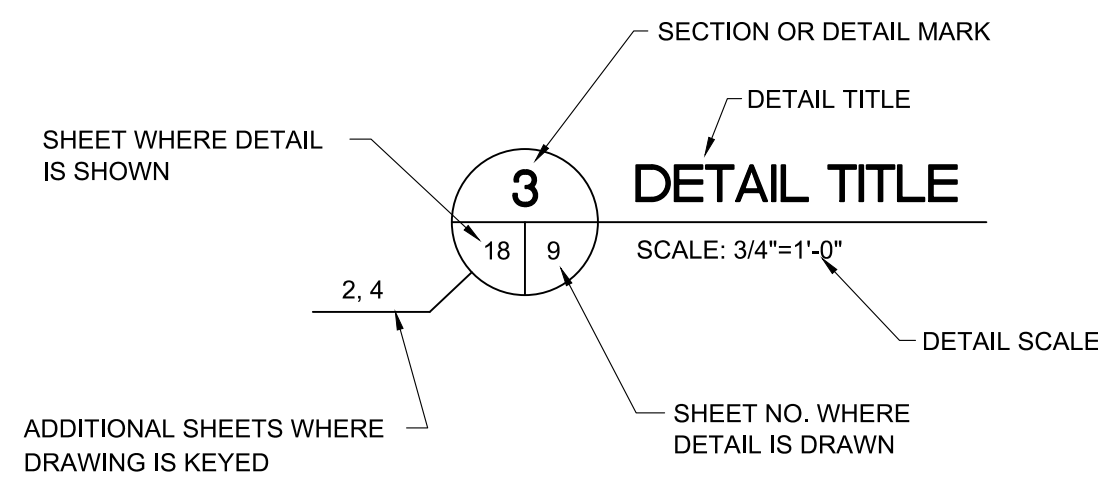
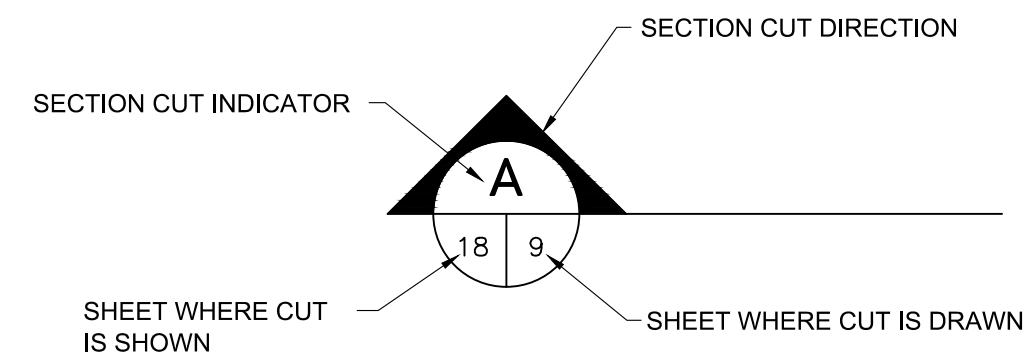
**TESTING SCHEDULE**

DESCRIPTION	RATE	QUANTITY
<b>SOILS:</b>		
STANDARD PROCTOR - SUBGRADE	PER STREET	1
DENSITIES - SUBGRADE (PAVEMENT)	PER 325 SY	1
DENSITIES - SUBGRADE (DRIVEWAY)	PER 5 DRIVEWAYS	1
DENSITIES - SUBGRADE (DITCH BACKFILL)	PER 500 LF PIPE	1
<b>BASE MATERIAL:</b>		
SIEVE ANALYSIS	PER 3000 CY	1
ATTERBURG LIMITS	PER 3000 CY	1
MODIFIED PROCTOR	PER 3000 CY	1
L.A. ABRASION	PER 3000 CY	1
CBR (STANDARD)	PER MATERIAL SOURCE	1
DENSITIES OF COMPACTED BASE (PAVEMENT)	PER 325 SY	1
WET BALL MILL TEST	PER MATERIAL SOURCE	1
TRIAIAL TEST	PER MATERIAL SOURCE	1
<b>HOT-MIX ASPHALT CONCRETE (HMAC):</b>		
EXTRACTION, SIEVE ANALYSIS	PER 500 TONS OR DAY	1
LAB DENSITY & STABILITY	PER 500 TONS OR DAY	1
THEORETICAL DENSITY (RICE METHOD)	PER 500 TONS OR DAY	1
TEMPERATURE - DURING LAY-DOWN	CONTINUOUS AS NEEDED	-
THICKNESS - IN PLACE (CORE)	PER 1000 LF	1
% AIR VOIDS - IN PLACE (CORE)	PER 1000 LF	1
% THEORETICAL DENSITY - IN PLACE (CORE)	PER 1000 LF	1
<b>CONCRETE:</b>		
(UNCONFINED COMPRESSION, 7, 14, & 28 DAY)	PER 4000 SF	1

NOTE: CONTRACTOR TO COORDINATE WITH ENGINEER FOR MATERIAL TESTING AND LOCATION.



**NORTH ARROW**



**EXISTING LEGEND**

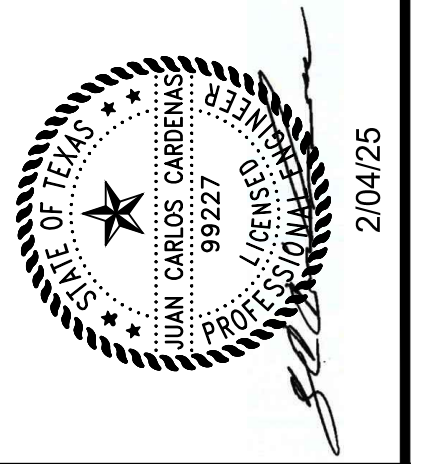
- 2W — 2"Ø WATERLINE
- 4W — 4"Ø WATERLINE
- 6W — 6"Ø WATERLINE
- 8W — 8"Ø WATERLINE
- SS — SANITARY SEWER LINE
- G — GAS LINE
- OE — OVERHEAD ELECTRICAL LINE
- FO — FIBER OPTIC LINE
- - - - - RIGHT OF WAY
- - - - - CENTER OF ROAD
- - - - - FENCE
- - - - - PGL AT CENTERLINE OF STREET
- - - - - DITCH TOE
- CONTROL POINT
- ⊙ PP POWER POLE
- ⊙ GUY POLE
- ⊙ LIGHT POLE
- ⊙ SS SANITARY SEWER MANHOLE
- ⊙ D STORM WATER MANHOLE
- [ - - - - ] REINFORCED CONCRETE PIPE
- WM WATER METER
- GM GAS METER
- SIGN
- ☼ TREE
- MB MAILBOX
- ⊙ FIRE HYDRANT
- ⊙ CLEAN OUT
- ⊙ WV WATER VALVE
- ▨ GRAVEL DRIVEWAY
- ▨ CONCRETE SIDEWALK
- ▨ ASPHALT
- ~ FLOW PATH

**LEGEND**

- - - - - RIGHT OF WAY
- - - - - CENTER OF ROAD
- - - - - PGL AT CENTERLINE OF STREET
- SCF — SEDIMENT CONTROL FENCE
- ⊙ ST STORM WATER MANHOLE
- ⊙ S SANITARY SEWER MANHOLE
- [ - - - - ] REINFORCED CONCRETE PIPE
- ▨ CONCRETE SIDEWALK / DRIVEWAY
- ▨ ASPHALT

- T.O.C. = TOP OF CURB INLET
- FL = FLOWLINE
- RT = RIGHT
- LT = LEFT
- EP = EDGE OF PAVEMENT
- TS = TOP OF SIDEWALK

CONSULTANT'S SHEET  
PROJECT NO. 21107-01B



2/04/25



**CITY OF KINGSVILLE GLO SW PROJECT 10  
(N. ARMSTRONG ST.) STORM WATER IMPROVEMENTS**  
KINGSVILLE, KLEBERG COUNTY, TEXAS

**LEGENDS**

REVISION NO.	DATE	BY	DESCRIPTION
△	02-04-25	JCC	REV. 1

DRAWING NO.

**C3**

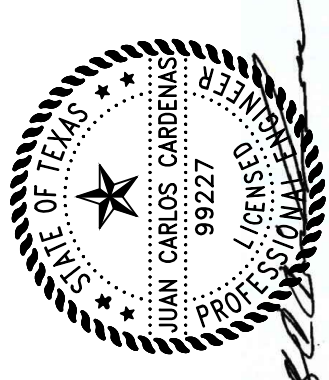


SHEET 4 of 56



FILE NAME: I:\Projects\2021\City of Kingsville\glo-loc10 sw n armstrong st\1- drawings\2 - civil\c2-legend.dwg PLOTTED: Tuesday, February 04, 2025 - 11:15am USER: martin

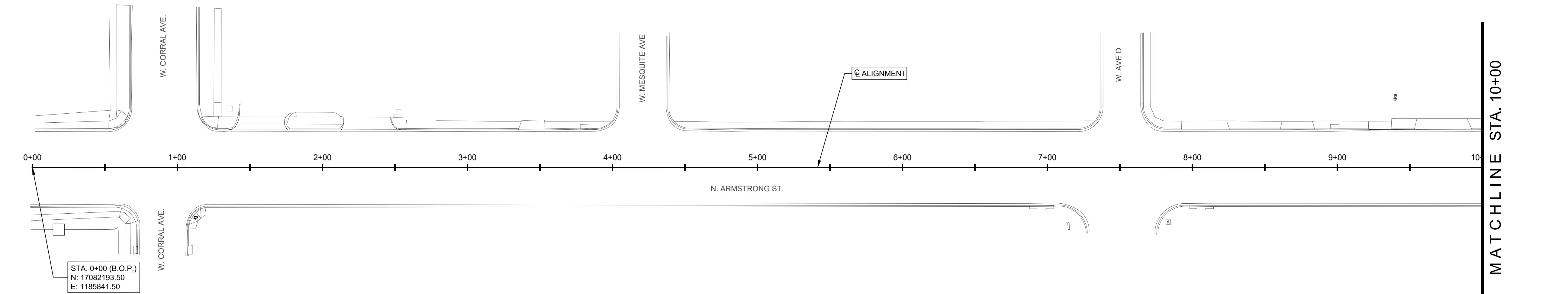
ESTIMATED QUANTITIES SUMMARY - TOTAL			
N. ARMSTRONG ST. DRAINAGE IMPROVEMENTS			
ITEM	DESCRIPTION	UNIT	QUANTITY
BASE BID			
A1	MOBILIZATION / BONDS / INSURANCE	LS	1
A2	TRAFFIC CONTROL	LS	1
A3	UTILITY ADJUSTMENT	LS	1
A4	SWPP (EROSION CONTROL LOG)	LF	358
A5	REMOVE EXISTING STREET ASPHALT	SY	364
A6	REMOVE EXISTING SIDEWALK CONCRETE	SY	93
A7	REMOVE EXISTING CURB & GUTTER	LF	420
A8	REMOVE EXISTING JUNCTION BOX	EA	4
A9	REPAIR EXISTING STREET ASPHALT	SY	364
A10	REPAIR EXISTING SIDEWALK CONCRETE	SY	93
A11	REPAIR EXISTING CURB & GUTTER	LF	280
A12	JUNCTION BOX TYPE 'A'	EA	11
A13	CURB INLET WITH THROAT EXTENSION	EA	15
A14	18"Ø RCP CLASS V	LF	148
A15	24"Ø RCP CLASS V	LF	119
A16	36"Ø RCP CLASS V	LF	43
ADDITIVE BID NO. 1			
B1	MILL EXISTING STREET ASPHALT	SY	13,756
B2	OVERLAY EXISTING STREET ASPHALT	SY	13,755

- NOTE:
1. THE ESTIMATED QUANTITIES LISTED ARE FOR INFORMATIONAL PURPOSES AND FOR CONTRACTOR REFERENCE. THE CONTRACTOR IS RESPONSIBLE FOR DELIVERING A FINISHED PROJECT AS DETAILED ON THE PLANS AND SPECIFICATIONS.
  2. ALL COMPACTION AND MATERIAL TESTING SHALL BE SUBSIDIARY TO LINE ITEM.
  3. REINFORCED CONCRETE BOX MAY BE CAST IN PLACE OR PRECAST. REFER TO DETAILS.
  4. TRENCH SAFETY, EXCAVATION, BACKFILL, AND COMPACTION ARE ALL SUBSIDIARY TO LINE ITEM.
  5. UTILITY ADJUSTMENT SHALL INCLUDE ANY AND ALL UTILITIES NECESSARY FOR THE COMPLETION OF THIS PROJECT.
  6. ALL TIE-IN CONNECTIONS SHALL BE SUBSIDIARY TO LINE ITEM.
  7. ALL LANE STRIPING SHALL BE SUBSIDIARY TO STREET ASPHALT.

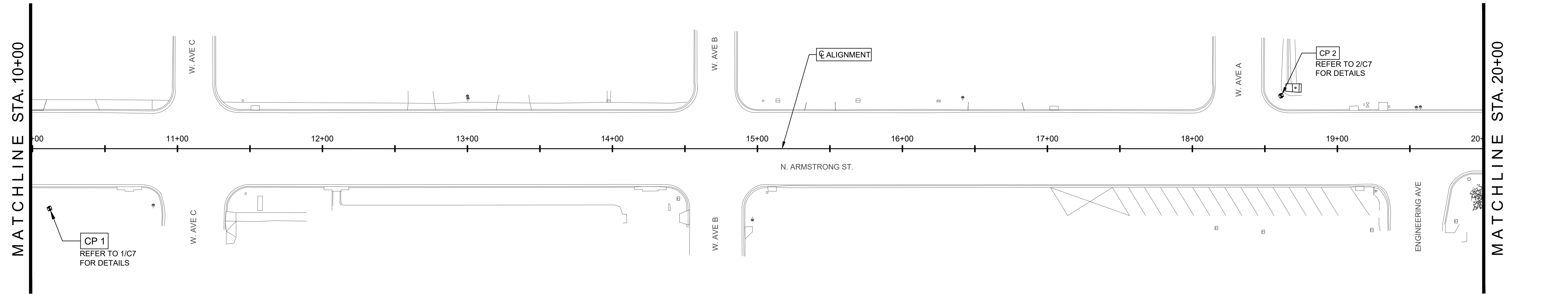
CONSULTANT'S SHEET PROJECT NO. 21107-01B	
	2/04/25
 <p style="font-size: x-small; text-align: center;">INTERNATIONAL CONSULTING ENGINEERS 281 SARATOGA BLVD. CORPUS CHRISTI, TX 78417 PHONE: 361.826.5805 FAX: 361.826.5806</p>	T.B.P.E. FIRM REGISTRATION #F - 10837
	
<b>CITY OF KINGSVILLE GLO SW PROJECT 10</b> <b>(N. ARMSTRONG ST.) STORM WATER IMPROVEMENTS</b> <small>KINGSVILLE, KLEBERG COUNTY, TEXAS</small>	
<b>ESTIMATED QUANTITIES</b>	
DRAWING NO.	<b>C4</b>
SHEET	5 of 56

REVISION NO.	DATE	BY	DESCRIPTION
△	02-04-25	JCC	REV. 1

FILE NAME: I:\Projects\2021\City of Kingsville\GLO-LOC10 SW N. ARMSTRONG ST. - Drawings\2 - Civil\C3-ALIGNMENT & CONTROL DATA.dwg LAYOUT NAME: PROJECT ALIGNMENT PLOTTED: Tuesday, February 04, 2025 - 11:15am USER: mcrftr



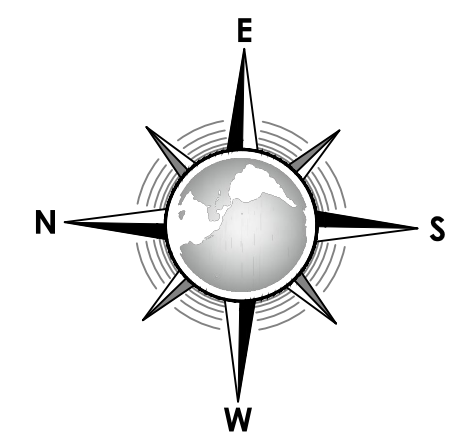
**1**  
PROJECT ALIGNMENT PLAN I  
STA. 0+00 (B.O.P.) TO STA. 10+00  
SCALE: 1"=40'



**2**  
PROJECT ALIGNMENT PLAN I  
STA. 10+00 TO STA. 20+00  
SCALE: 1"=40'

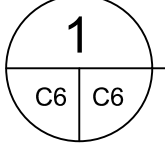
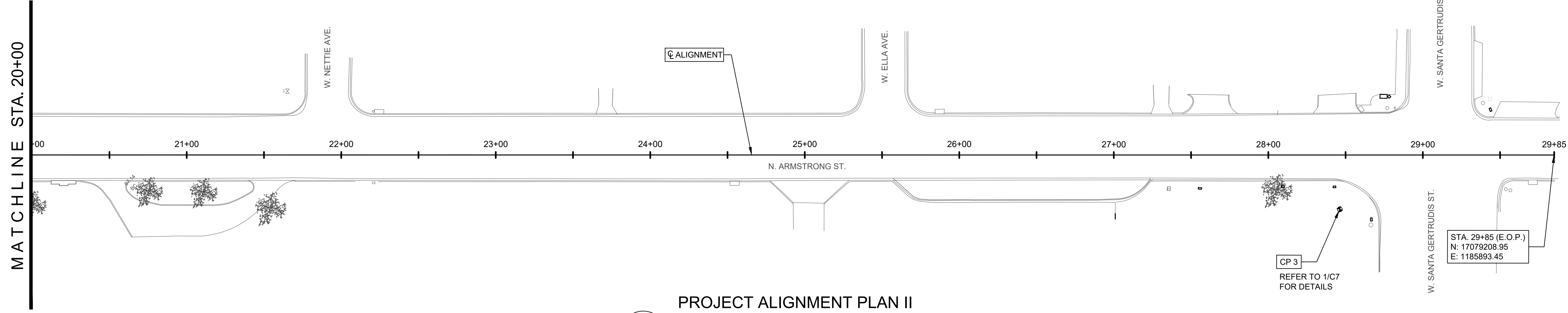
MATCHLINE STA. 10+00

MATCHLINE STA. 20+00



CONSULTANT'S SHEET PROJECT NO. 21107-01B			
		INTERNATIONAL CONSULTING ENGINEERS 261 SARATOGA BLVD. CORPUS CHRISTI, TX 78417 PHONE: 361.926.5905 FAX: 361.926.5906 I.B.P.E. FIRM REGISTRATION #F-10837	
		CITY OF KINGSVILLE KINGSVILLE, KLEBERG COUNTY, TEXAS	
CITY OF KINGSVILLE GLO SW PROJECT 10 (N. ARMSTRONG ST.) STORM WATER IMPROVEMENTS KINGSVILLE, KLEBERG COUNTY, TEXAS		PROJECT ALIGNMENT PLAN I STA. 0+00 (B.O.P.) TO STA. 20+00	
REVISION NO.	DATE	DESCRIPTION	
1	02-04-25		
JCC	BY	REV. 1	
DRAWING NO.		C5	
SHEET		6 of 56	

FILE NAME: I:\Projects\2021\City of Kingsville\glo-sw-project-10-sw-n-armstrong-st\1-drawings\2 - civil\C3-ALIGNMENT & CONTROL DATA.dwg LAYOUT NAME: PROJECT ALIGNMENT 2 - PLOTTED: Tuesday, February 04, 2025 - 11:16am USER: martin

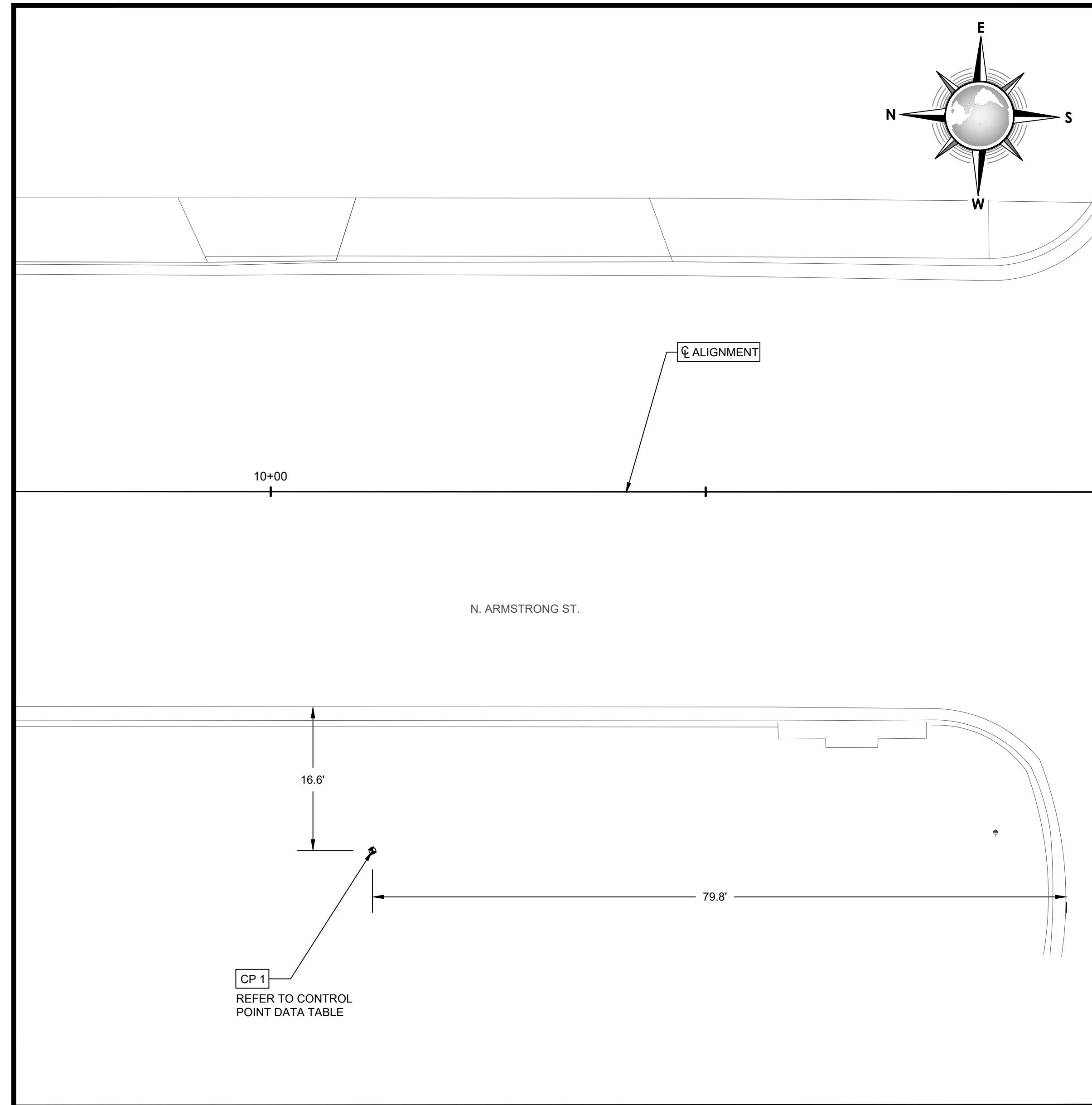


1  
C6 | C6  
PROJECT ALIGNMENT PLAN II  
STA. 20+00 TO STA. 29+85 (E.O.P.)  
SCALE: 1"=40'

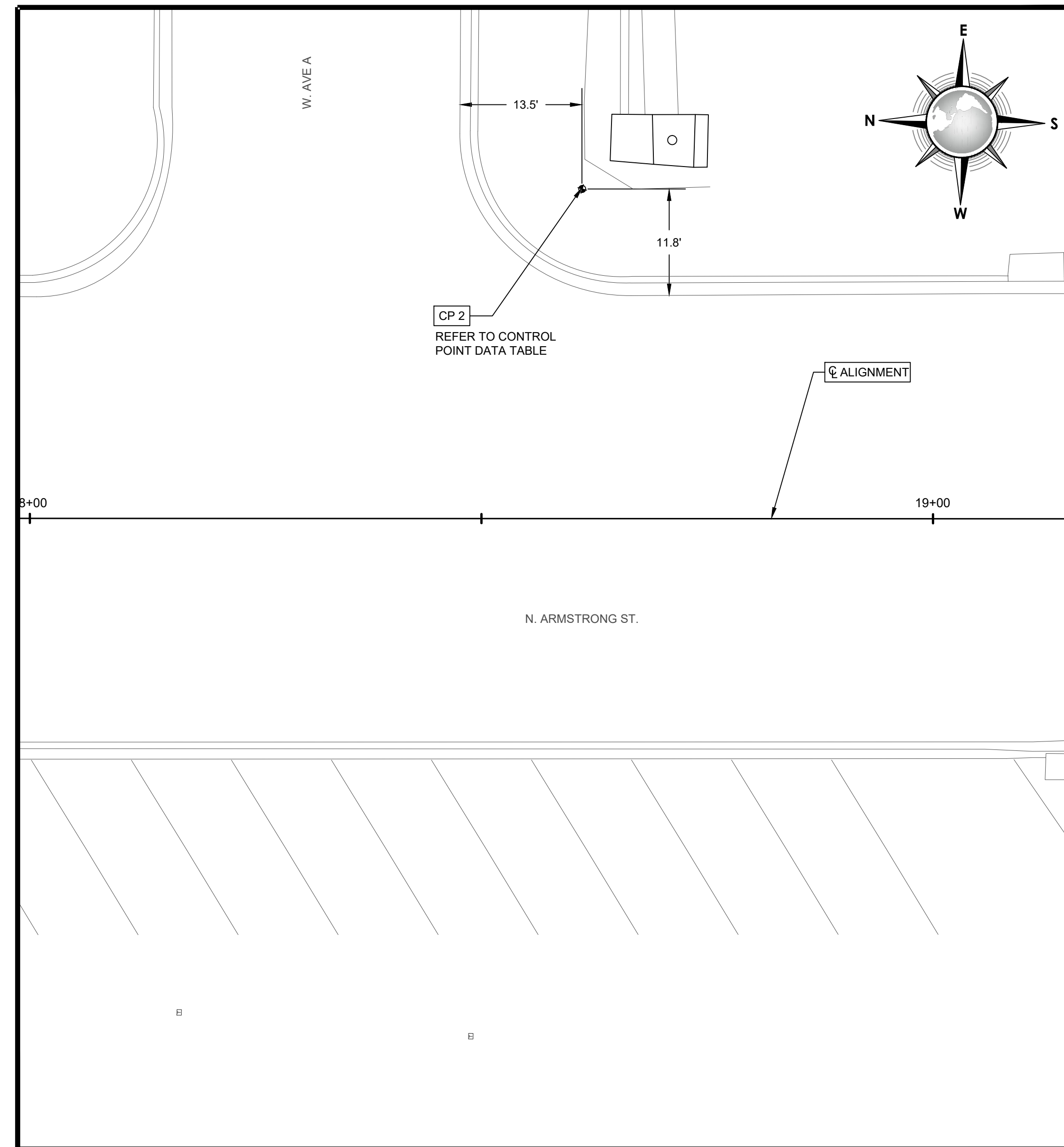
CONSULTANT'S SHEET PROJECT NO. 21107-01B			
 INTERNATIONAL CONSULTING ENGINEERS 261 SARATOGA BLVD. CORPUS CHRISTI, TX 78417 PHONE: 361.926.5805 FAX: 361.926.5806 I.C.P.E. FIRM REGISTRATION #F-10837		 CITY OF Kingsville KINGSVILLE, KLEBERG COUNTY, TEXAS	
CITY OF KINGSVILLE GLO SW PROJECT 10 (N. ARMSTRONG ST.) STORM WATER IMPROVEMENTS KINGSVILLE, KLEBERG COUNTY, TEXAS		PROJECT ALIGNMENT PLAN II STA. 20+00 TO STA. 29+85 (E.O.P.)	
REVISION NO.	DATE	DESCRIPTION	DRAWING NO.
△	02-04-25		C6
JCC	BY	REV. 1	SHEET 7 of 56



FILE NAME: I:\Projects\2021\City of Kingsville\GLO-LOC10 SW N ARMSTRONG ST\1 - Drawings\2 - Control Data\dwg - LAYOUT NAME: PROJECT CONTROL DATA - PLOTTED: Tuesday, February 04, 2025 - 11:16am USER: martin



**1** PROJECT CONTROL DATA LAYOUT 1  
 C7 C7 SCALE: 1"=10'



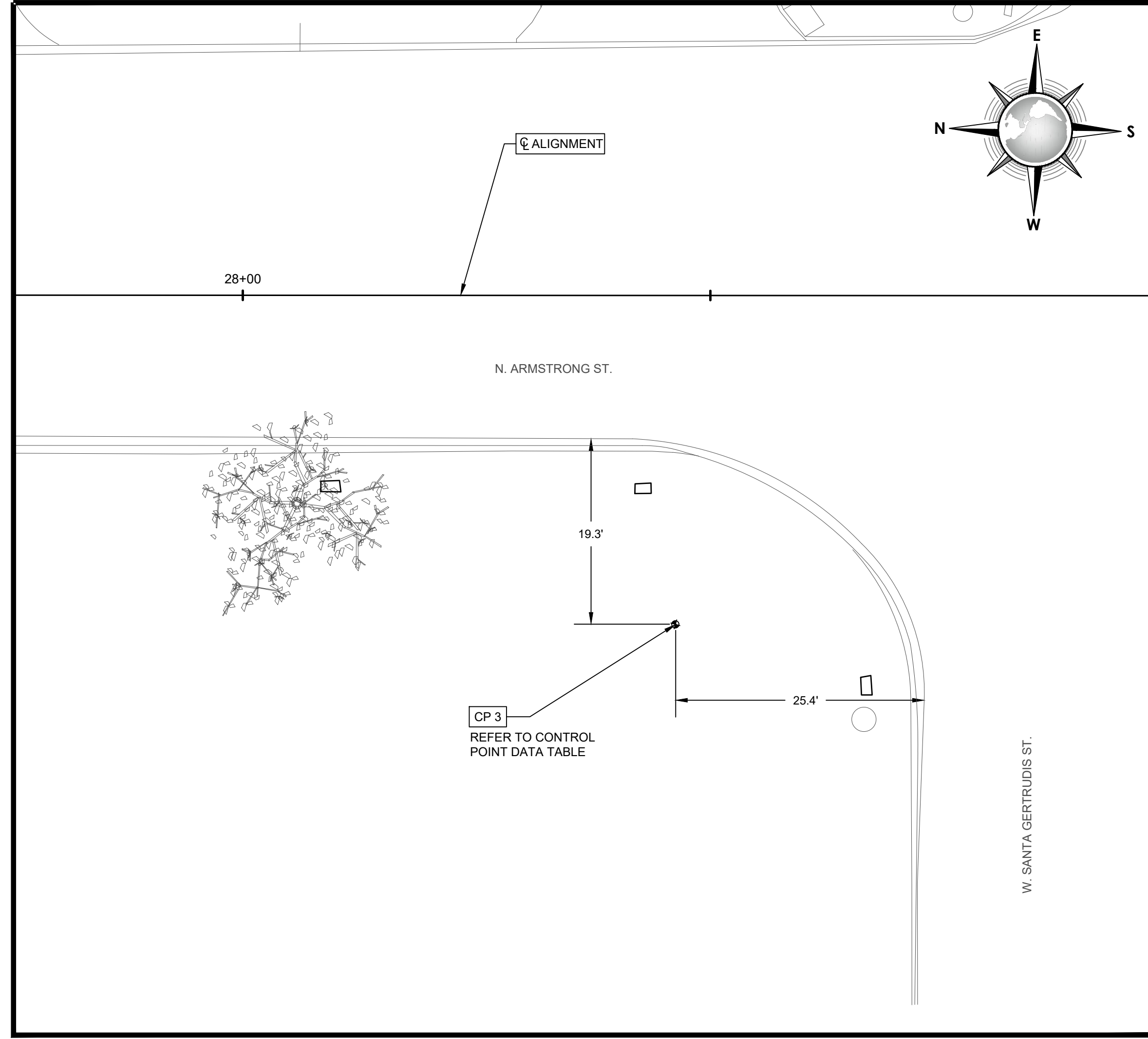
**2** PROJECT CONTROL DATA LAYOUT 2  
 C7 C7 SCALE: 1"=10'

CONTROL POINT DATA				
CONTROL POINT #	DESCRIPTION	NORTHING	EASTING	ELEVATION
1	SET 5/8" I.R. W/CAP	17081181.22	1185817.86	66.77'
2	SET 5/8" I.R. W/CAP	17080333.27	1185910.38	66.54'
3	CHISEL MARK	17079347.05	1185855.86	68.85'

SURVEY DATUM	
HORIZONTAL:	NAD 83
VERTICAL:	NAVD 88

CONSULTANT'S SHEET PROJECT NO. 21107-01B	2/04/25
	INTERNATIONAL CONSULTING ENGINEERS 261 SARATOGA BLVD. CORPUS CHRISTI, TX 78417 PHONE: 361.926.5805 FAX: 361.926.5806 I.B.P.E. FIRM REGISTRATION #F-10837
CITY OF KINGSVILLE (N. ARMSTRONG ST.) STORM WATER IMPROVEMENTS KINGSVILLE, KLEBERG COUNTY, TEXAS	PROJECT CONTROL POINT DATA LAYOUT 1 & 2
DRAWING NO. <b>C7</b>	SHEET 8 of 56

FILE NAME: I:\Projects\2021\City of Kingsville\glo-loc10 sw n armstrong st\1- drawings\2 - civil\CS-ALIGNMENT & CONTROL DATA.dwg LAYOUT NAME: PROJECT CONTROL DATA (2) PLOTTED: Tuesday, February 04, 2025 - 11:17am USER: martin



**1** PROJECT CONTROL DATA LAYOUT 3  
 C8 | C8 SCALE: 1"=10'

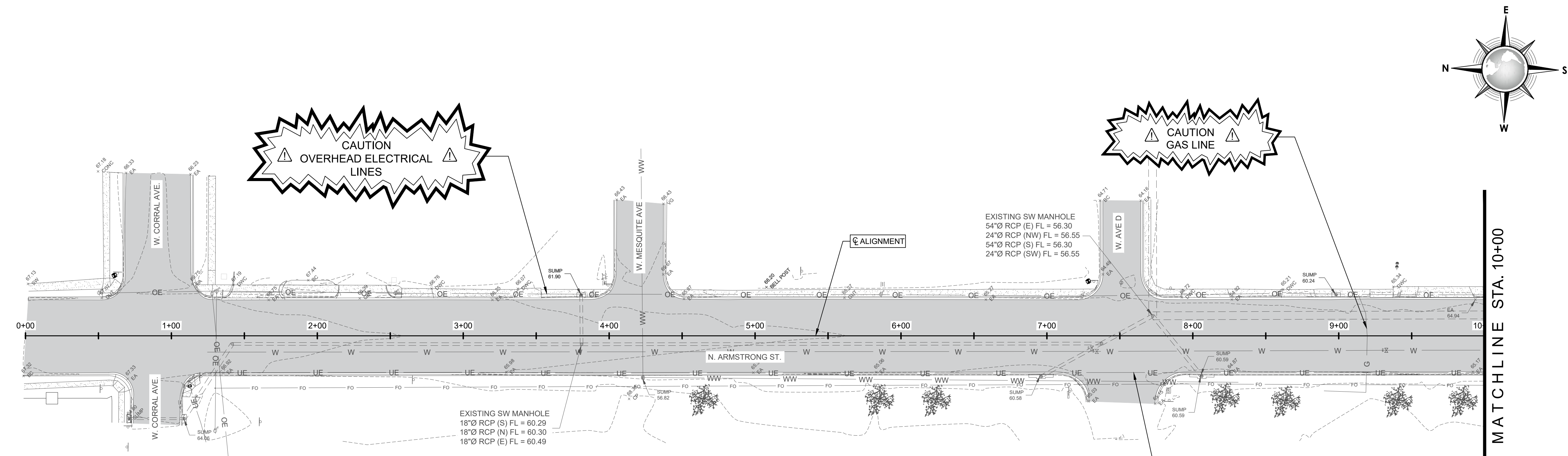
CONTROL POINT DATA				
CONTROL POINT #	DESCRIPTION	NORTHING	EASTING	ELEVATION
1	SET 5/8" I.R. W/CAP	17081181.22	1185817.86	66.77'
2	SET 5/8" I.R. W/CAP	17080333.27	1185910.38	66.54'
3	CHISEL MARK	17079347.05	1185855.86	68.85'

SURVEY DATUM	
HORIZONTAL:	NAD 83
VERTICAL:	NAVD 88

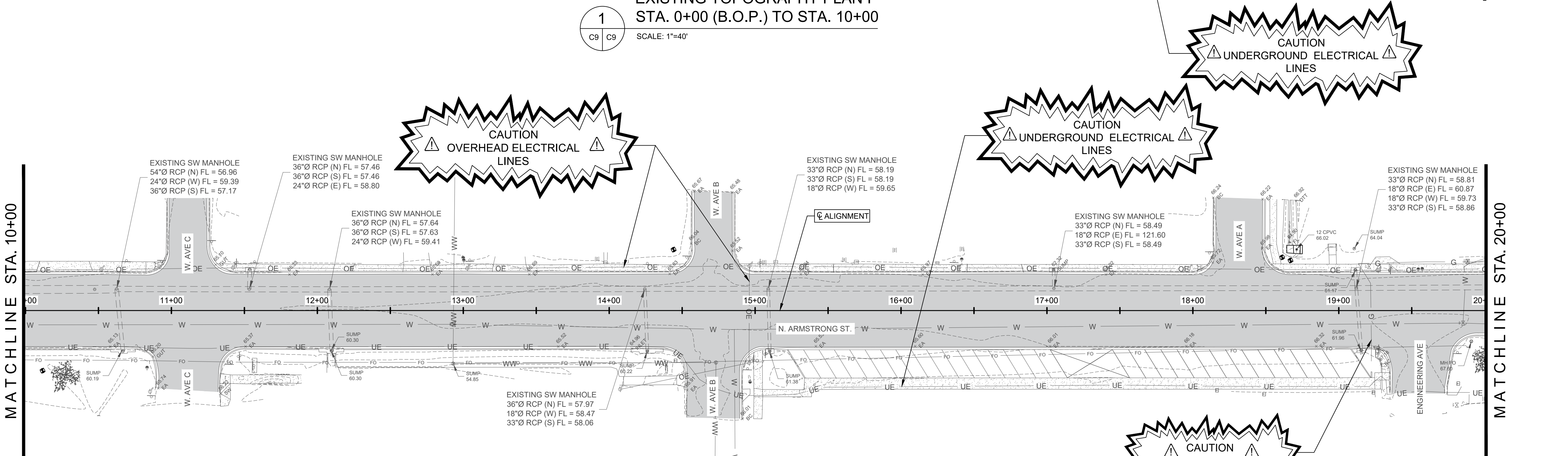
CONSULTANT'S SHEET PROJECT NO. 21107-01B			
 INTERNATIONAL CONSULTING ENGINEERS 281 SARATOGA BLVD. CORPUS CHRISTI, TX 78417 PHONE: 361.826.5805 FAX: 361.826.5806 T.B.P.E. FIRM REGISTRATION #F - 10837			
CITY OF KINGSVILLE GLO SW PROJECT 10 (N. ARMSTRONG ST.) STORM WATER IMPROVEMENTS KINGSVILLE, KLEBERG COUNTY, TEXAS		PROJECT CONTROL POINT DATA LAYOUT 3	
REVISION NO.	DATE	BY	DESCRIPTION
△ 02-04-25	REV. 1	JCC	
SHEET 9 of 56		DRAWING NO. C8	



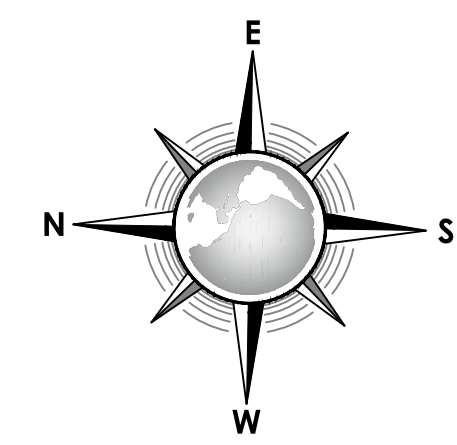
FILE NAME: I:\Projects\2021\City of Kingsville\GLO-LOC10 SW N ARMSTRONG ST - Drawings\2 - CIV\CK EXISTING TOPO.dwg LAYOUT NAME: EXIST TOPO PLOTTED: Tuesday, February 04, 2025 - 11:17am USER: martin



**1**  
EXISTING TOPOGRAPHY PLAN I  
STA. 0+00 (B.O.P.) TO STA. 10+00  
SCALE: 1"=40'



**2**  
EXISTING TOPOGRAPHY PLAN I  
STA. 10+00 TO STA. 20+00  
SCALE: 1"=40'



MATCHLINE STA. 10+00

MATCHLINE STA. 20+00

CONSULTANT'S SHEET PROJECT NO. 21107-01B	
<b>CITY OF KINGSVILLE GLO SW PROJECT 10</b> <b>(N. ARMSTRONG ST.) STORM WATER IMPROVEMENTS</b> KINGSVILLE, KLEBERG COUNTY, TEXAS	
EXISTING TOPOGRAPHY PLAN I STA. 0+00 (B.O.P.) TO STA. 20+00	
REVISION NO.	DESCRIPTION
REV. 1	
JCC	BY
02-04-25	DATE
DRAWING NO.	
<div style="font-size: 2em; font-weight: bold; text-align: center;">C9</div>	
SHEET 10 of 56	

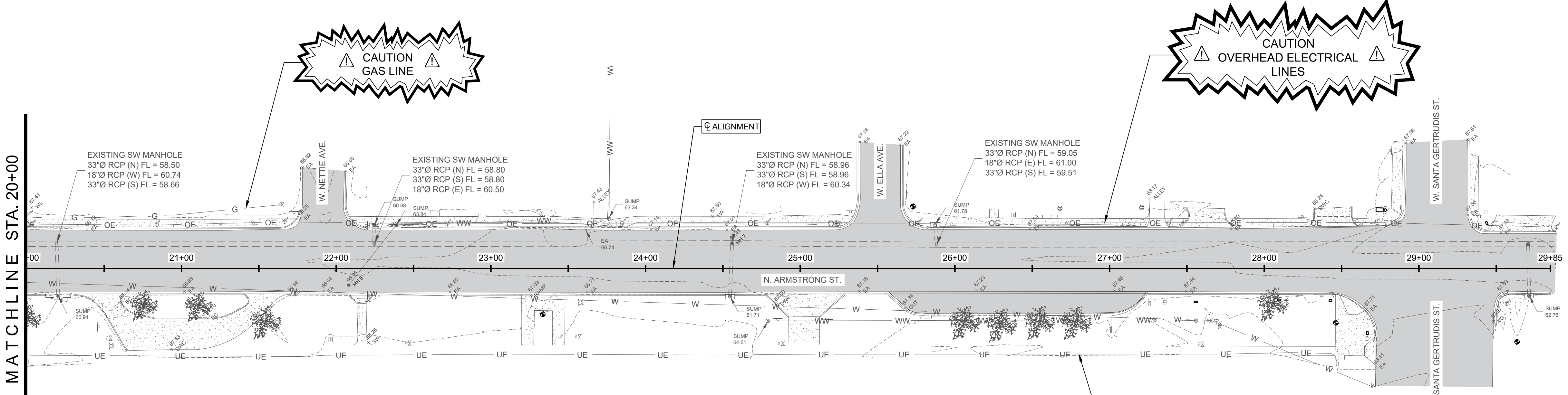
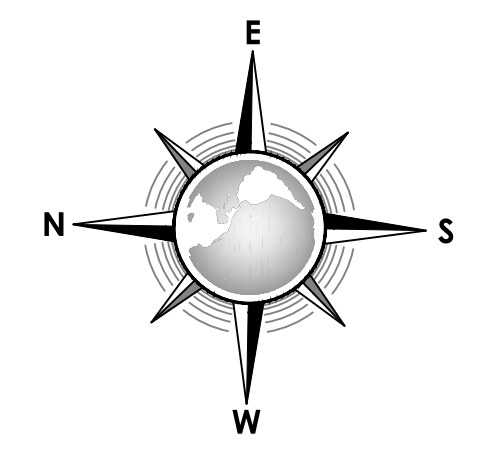
2/04/25

T.B.P.E. FIRM REGISTRATION # F - 10837



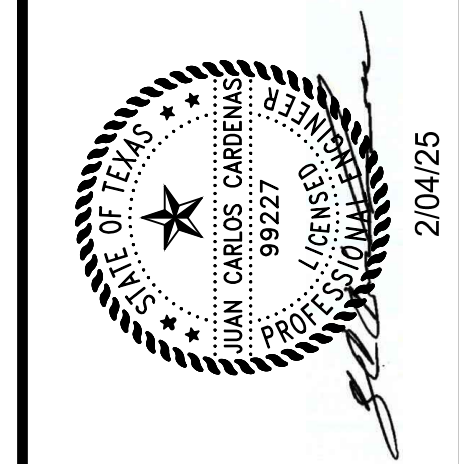
FILE NAME: I:\Projects\2021\City of Kingsville\glo-loc10 sw n armstrong st\1- drawings\2 - civil\EXISTING TOPO.dwg LAYOUT NAME: EXIST TOPO 2 PLOTTED: Tuesday, February 04, 2025 - 11:17am USER: martin

MATCHLINE STA. 20+00



1  
C10/C10  
EXISTING TOPOGRAPHY PLAN II  
STA. 20+00 TO STA. 29+85 (E.O.P.)  
SCALE: 1"=40'

CONSULTANT'S SHEET  
PROJECT NO. 21107-01B



**ICE**  
INTERNATIONAL CONSULTING ENGINEERS  
PHONE: 361.826.5805  
FAX: 361.826.5806  
281 SARATOGA BLVD.  
CORPUS CHRISTI, TX 78417  
T.B.P.E. FIRM REGISTRATION # F - 10837

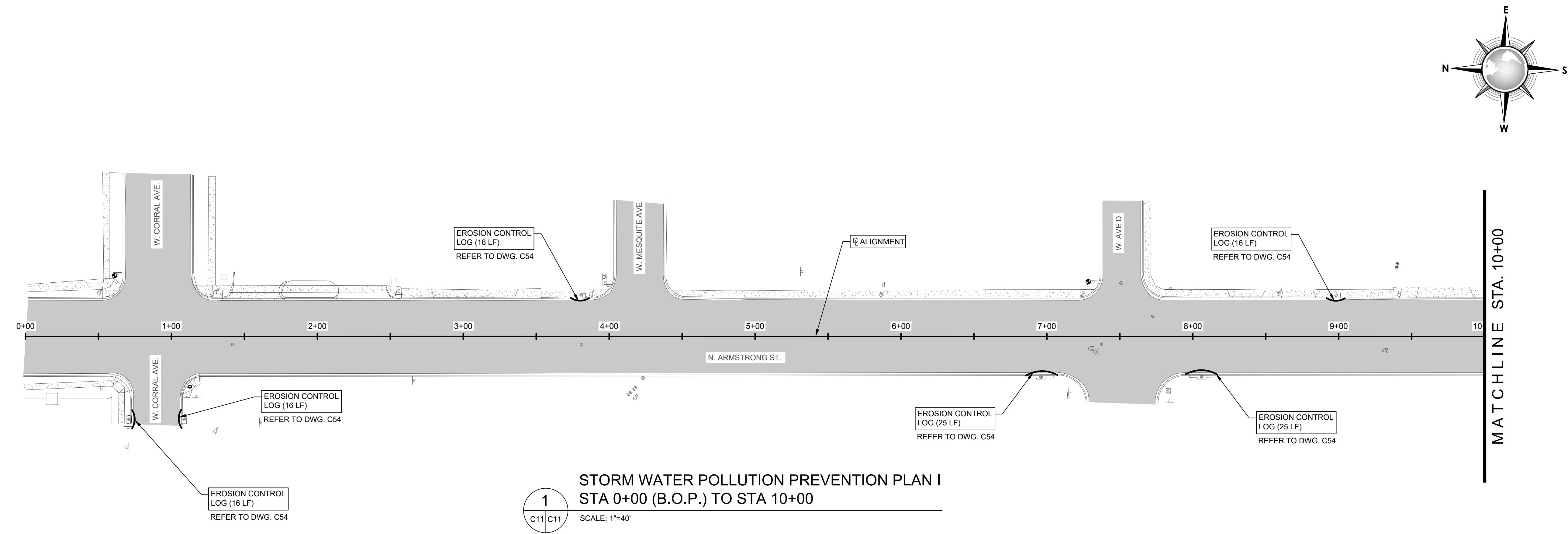


**CITY OF KINGSVILLE GLO SW PROJECT 10**  
**(N. ARMSTRONG ST.) STORM WATER IMPROVEMENTS**  
KINGSVILLE, KLEBERG COUNTY, TEXAS  
**EXISTING TOPOGRAPHY PLAN II**  
STA. 20+00 TO STA. 29+85 (E.O.P.)

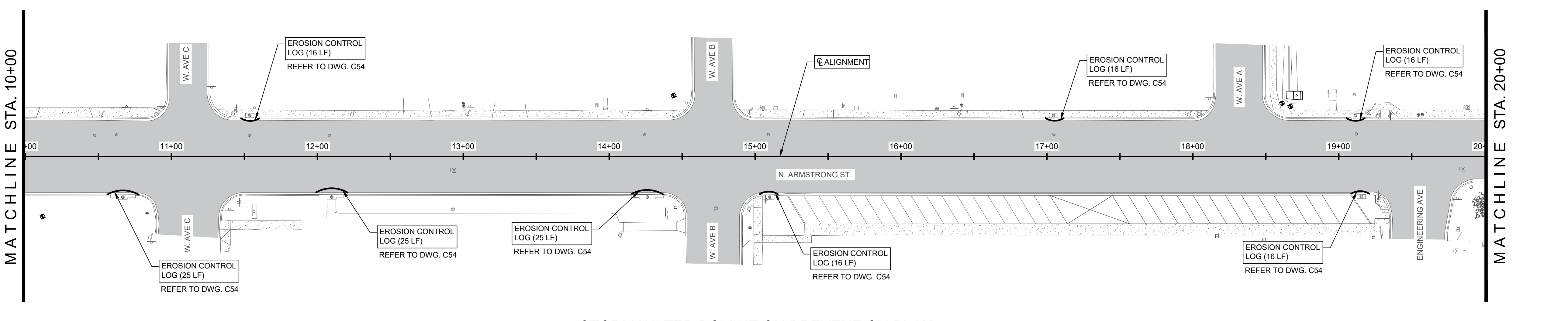
REVISION NO.	DATE	BY	DESCRIPTION
△	02-04-25	JCC	REV. 1

DRAWING NO.  
**C10**  
SHEET 11 of 56

FILE NAME: I:\Projects\2021\City of Kingsville\GLO-LOC10 SW N ARMSTRONG ST\1 - Drawings\2 - CIVIL\CX SWPP PLAN.dwg LAYOUT NAME: SWPPP PLOTTED: Tuesday, February 04, 2025 - 11:17am USER: martin



**1**  
 STORM WATER POLLUTION PREVENTION PLAN I  
 STA 0+00 (B.O.P.) TO STA 10+00  
 SCALE: 1"=40'



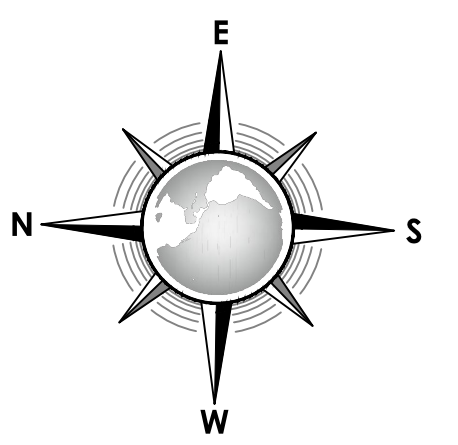
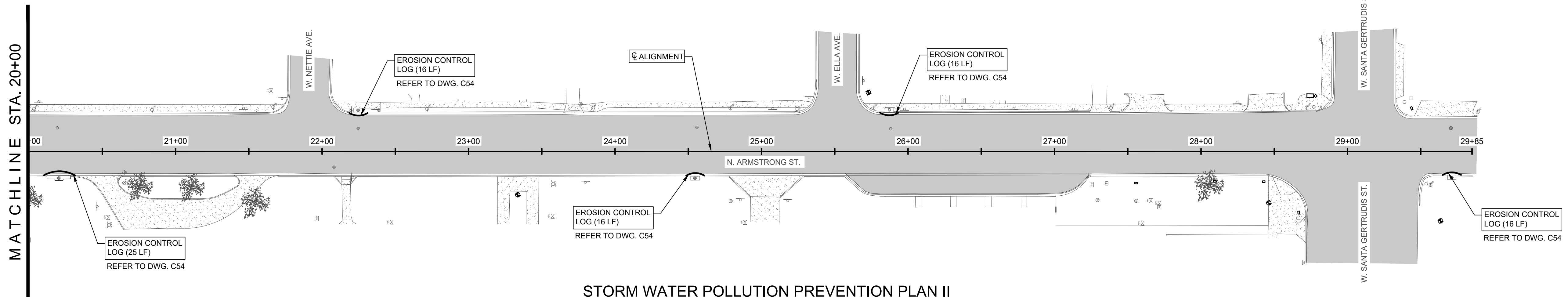
**2**  
 STORM WATER POLLUTION PREVENTION PLAN I  
 STA 10+00 TO STA 20+00  
 SCALE: 1"=40'

SHEET QUANTITIES SUMMARY			
ITEM	DESCRIPTION	UNIT	QUANTITY
A4	SWPP (EROSION CONTROL LOG)	LF	269

CONSULTANT'S SHEET PROJECT NO. 21107-01B			
INTERNATIONAL CONSULTING ENGINEERS 281 SARATOGA BLVD. CORPUS CHRISTI, TX 78417 PHONE: 361.826.5805 FAX: 361.826.5806 T.B.P.E. FIRM REGISTRATION #F-10837		CITY OF <b>Kingsville</b> TEXAS	
REVISION NO.	DATE	BY	DESCRIPTION
REV. 1	02-04-25	JCC	CITY OF KINGSVILLE GLO SW PROJECT 10 (N. ARMSTRONG ST.) STORM WATER IMPROVEMENTS KINGSVILLE, KLEBERG COUNTY, TEXAS
DRAWING NO.			STORM WATER POLLUTION PREVENTION PLAN I STA 0+00 (B.O.P.) TO STA 20+00
SHEET <b>C11</b> of 56			



FILE NAME: I:\Projects\2021\City of Kingsville\glo-loc10 sw n armstrong st\1- drawings\2 - civil\X SWPP PLAN.dwg LAYOUT NAME: SWPPP (2) PLOTTED: Tuesday, February 04, 2025 - 11:18am USER: martin



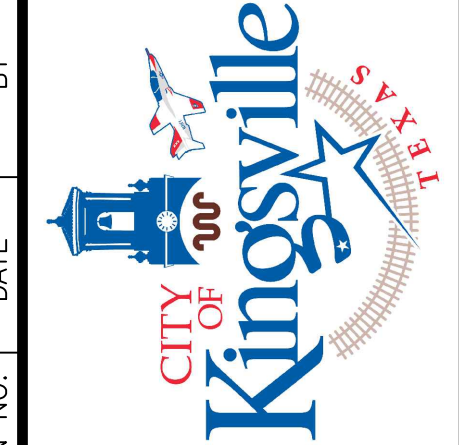
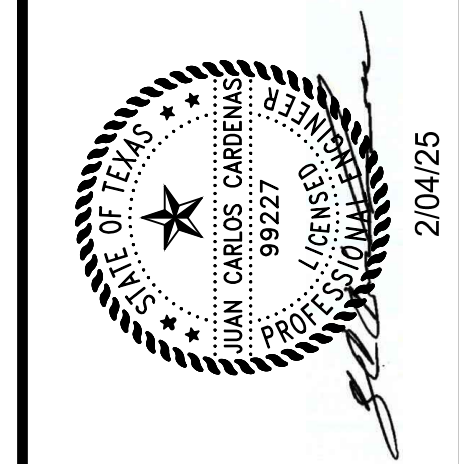
**1**  
C12 C12

**STORM WATER POLLUTION PREVENTION PLAN II**  
STA. 20+00 TO STA. 29+85 (E.O.P.)

SCALE: 1"=40'

SHEET QUANTITIES SUMMARY			
ITEM	DESCRIPTION	UNIT	QUANTITY
A4	SWPP (EROSION CONTROL LOG)	LF	89

CONSULTANT'S SHEET  
PROJECT NO. 21107-01B



**CITY OF KINGSVILLE GLO SW PROJECT 10**  
**(N. ARMSTRONG ST.) STORM WATER IMPROVEMENTS**  
KINGSVILLE, KLEBERG COUNTY, TEXAS

**STORM WATER POLLUTION PREVENTION PLAN II**  
STA. 20+00 TO STA. 29+85 (E.O.P.)

DRAWING NO.  
**C12**

SHEET 13 of 56

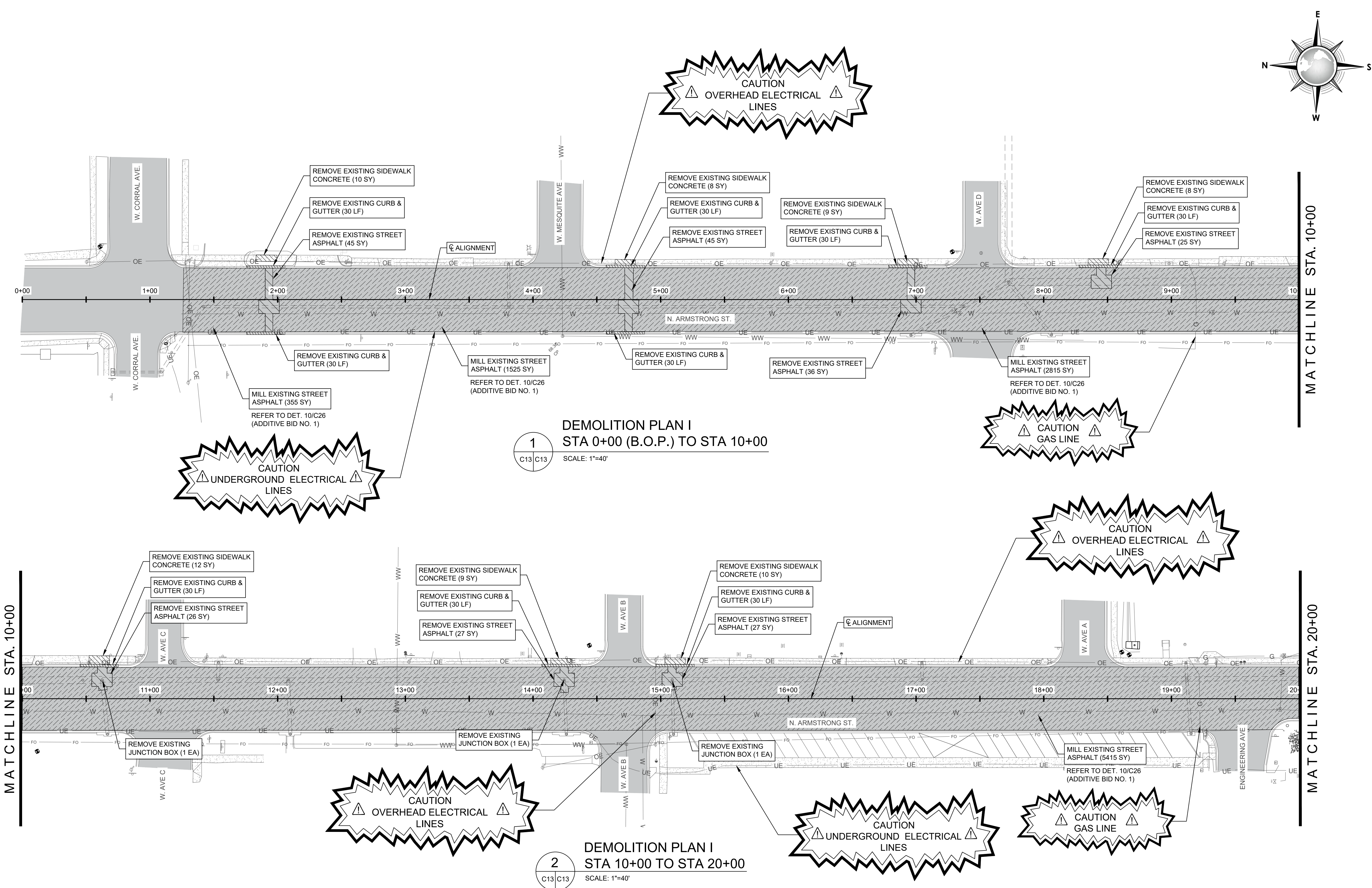
REVISION NO.	DATE	BY	DESCRIPTION
△ REV. 1	02-04-25	JCC	

2/04/25

T.B.P.E. FIRM REGISTRATION # F - 10837



FILE NAME: I:\Projects\2021\City of Kingsville\GLO-LOC10 SW N ARMSTRONG ST\1 - Drawings\2 - Civil\C4-DEMOC & SWPP PLAN.dwg LAYOUT NAME: DEMO PLOTTED: Tuesday, February 04, 2025 - 11:18am USER: martin



**1**  
DEMOLITION PLAN I  
STA 0+00 (B.O.P.) TO STA 10+00  
SCALE: 1"=40'

**2**  
DEMOLITION PLAN I  
STA 10+00 TO STA 20+00  
SCALE: 1"=40'

SHEET QUANTITIES SUMMARY			
ITEM	DESCRIPTION	UNIT	QUANTITY
A5	REMOVE EXISTING STREET ASPHALT	SY	231
A6	REMOVE EXISTING SIDEWALK CONCRETE	SY	66
A7	REMOVE EXISTING CURB & GUTTER	LF	270
A8	REMOVE EXISTING JUNCTION BOX	EA	3
B1	MILL EXISTING STREET ASPHALT	SY	10,110

CONSULTANT'S SHEET  
PROJECT NO. 21107-01B



**ICE**  
INTERNATIONAL CONSULTING ENGINEERS  
281 SARATOGA BLVD.  
CORPUS CHRISTI, TX 78417  
PHONE: 361.826.5805  
FAX: 361.826.5806  
T.B.P.E. FIRM REGISTRATION # F-10837



**CITY OF KINGSVILLE GLO SW PROJECT 10**  
**(N. ARMSTRONG ST.) STORM WATER IMPROVEMENTS**  
KINGSVILLE, KLEBERG COUNTY, TEXAS

DEMOLITION PLAN I  
STA 0+00 (B.O.P.) TO STA 20+00

REVISION NO.	DATE	BY	DESCRIPTION
02-04-25		JCC	REV. 1

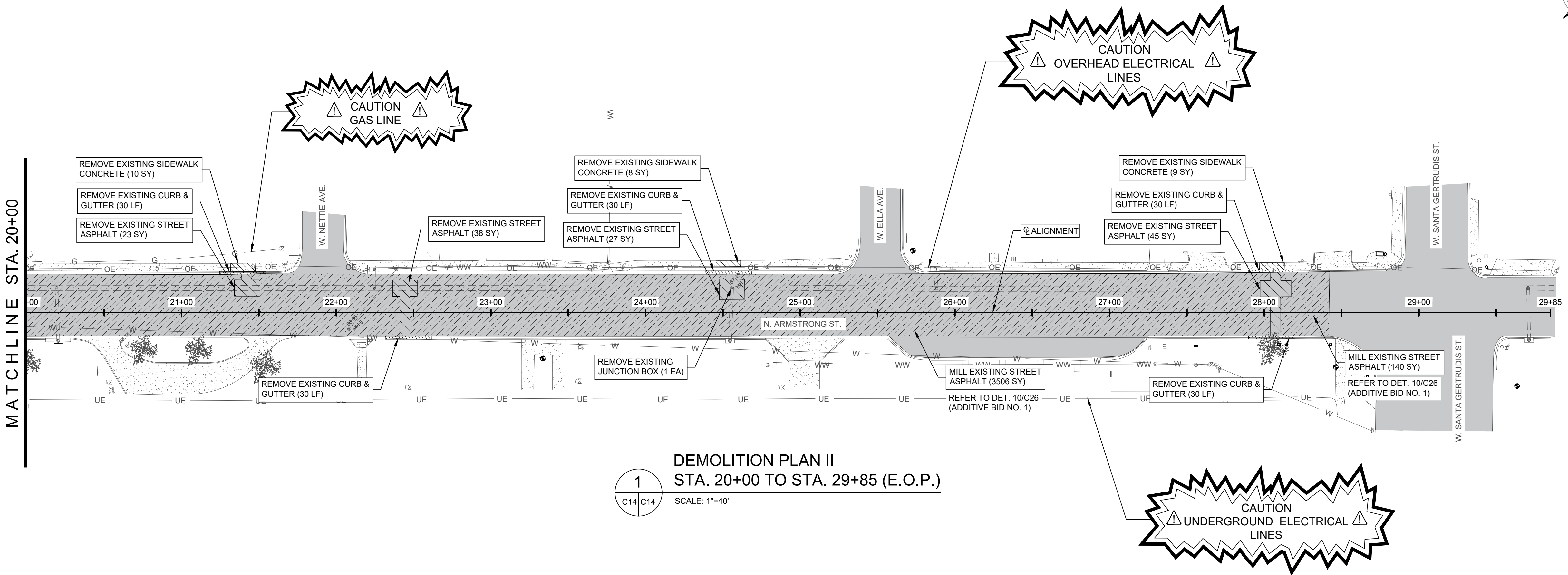
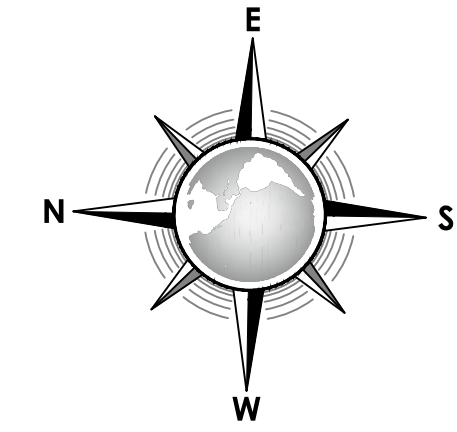
DRAWING NO. **C13**

SHEET 14 of 56



FILE NAME: I:\Projects\2021\City of Kingsville\glo-loc10 sw n armstrong st\1- drawings\2 - civil\C4-DEMO & SWPP PLAN.dwg LAYOUT NAME: DEMO (2) PLOTTED: Tuesday, February 04, 2025 - 11:19am USER: martin

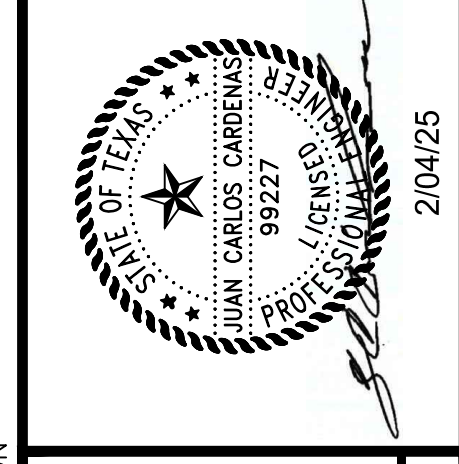
MATCHLINE STA. 20+00



**1**  
 DEMOLITION PLAN II  
 STA. 20+00 TO STA. 29+85 (E.O.P.)  
 SCALE: 1"=40'

SHEET QUANTITIES SUMMARY			
ITEM	DESCRIPTION	UNIT	QUANTITY
A5	REMOVE EXISTING STREET ASPHALT	SY	133
A6	REMOVE EXISTING SIDEWALK CONCRETE	SY	27
A7	REMOVE EXISTING CURB & GUTTER	LF	150
A8	REMOVE EXISTING JUNCTION BOX	EA	1
B1	MILL EXISTING STREET ASPHALT	SY	3,646

CONSULTANT'S SHEET  
 PROJECT NO. 21107-01B



**ICE**  
 INTERNATIONAL CONSULTING ENGINEERS  
 281 SARATOGA BLVD.  
 CORPUS CHRISTI, TX 78417  
 PHONE: 361.826.5805  
 FAX: 361.826.5806  
 T.B.P.E. FIRM REGISTRATION # F-10837



**CITY OF KINGSVILLE GLO SW PROJECT 10**  
**(N. ARMSTRONG ST.) STORM WATER IMPROVEMENTS**  
 KINGSVILLE, KLEBERG COUNTY, TEXAS

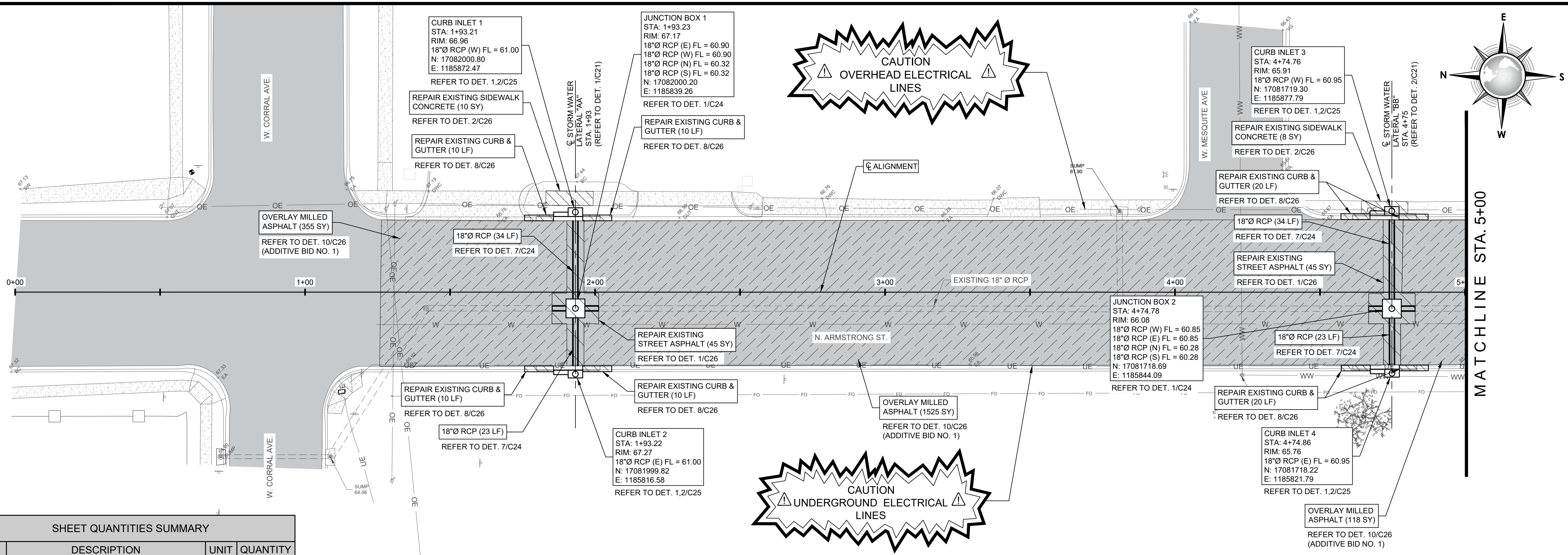
DEMOLITION PLAN II  
 STA. 20+00 TO STA. 29+85 (E.O.P.)

DRAWING NO.  
**C14**  
 SHEET 15 of 56

REVISION NO.	DATE	BY	DESCRIPTION
02-04-25		JCC	
REV. 1			



FILE NAME: I:\Projects\2021\City of Kingsville\GLO-LOC10 SW N ARMSTRONG ST\1 - Drawings\2 - CIVIL\C5 - F&P.dwg LAYOUT NAME: 1 PLOTTED: Tuesday, February 04, 2025 - 11:19am USER: martin



**CAUTION**  
OVERHEAD ELECTRICAL LINES

**CAUTION**  
UNDERGROUND ELECTRICAL LINES

**1**  
C15 C15

**STORMWATER PLAN & PROFILE I**  
STA. 0+00 (B.O.P.) TO STA. 5+00

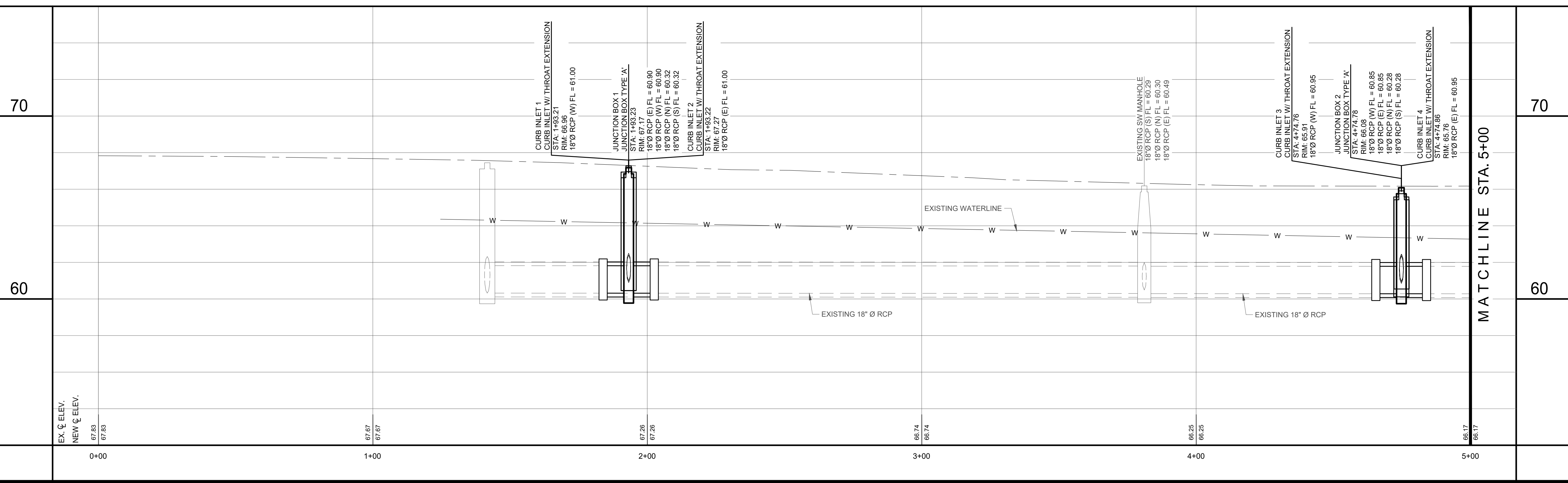
0 20 40

SCALE: HORIZ: 1"=20', VERT: 1"=3' (FULL SIZE SHEETS)  
SCALE: HORIZ: 1"=40', VERT: 1"=6' (HALF SIZE SHEETS)

SHEET QUANTITIES SUMMARY			
ITEM	DESCRIPTION	UNIT	QUANTITY
A9	REPAIR EXISTING STREET ASPHALT	SY	90
A10	REPAIR EXISTING SIDEWALK CONCRETE	SY	18
A11	REPAIR EXISTING CURB & GUTTER	LF	80
A12	JUNCTION BOX TYPE 'A'	EA	2
A13	CURB INLET WITH THROAT EXTENSION	EA	4
A14	18"Ø RCP CLASS V	LF	114
B2	OVERLAY MILLED ASPHALT	SY	1,998

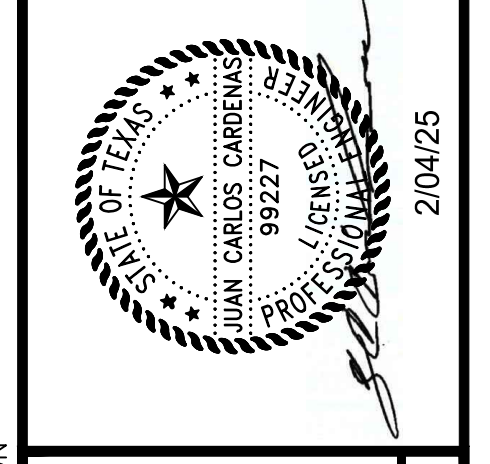
NOTE:  
1. FOR EXISTING RCP TO NEW RCP TIE-IN CONNECTION DETAIL REFER TO DET. 6/C24  
2. FOR RCP TO JUNCTION CONNECTION DETAIL REFER TO DET. 5/C24

MATCHLINE STA. 5+00



MATCHLINE STA. 5+00

CONSULTANT'S SHEET  
PROJECT NO. 21107-01B



**ICE**  
INTERNATIONAL CONSULTING ENGINEERS  
281 SARATOGA BLVD.  
CORPUS CHRISTI, TX. 78417  
PHONE: 361-826-5805  
FAX: 361-826-5806  
T.B.P.E. FIRM REGISTRATION #F-10837



**CITY OF KINGSVILLE GLO SW PROJECT 10**  
**(N. ARMSTRONG ST.) STORM WATER IMPROVEMENTS**  
KINGSVILLE, KLEBERG COUNTY, TEXAS

**STORM WATER PLAN & PROFILE I**  
STA. 0+00 (B.O.P.) TO STA. 5+00

REVISION NO. 02-04-25 DATE 02-04-25 JCC BY REV. 1

DESCRIPTION

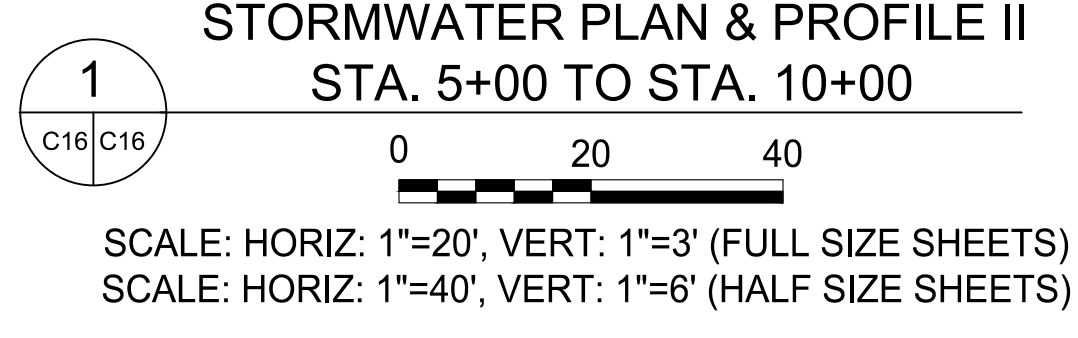
DRAWING NO. **C15**

SHEET 16 of 56

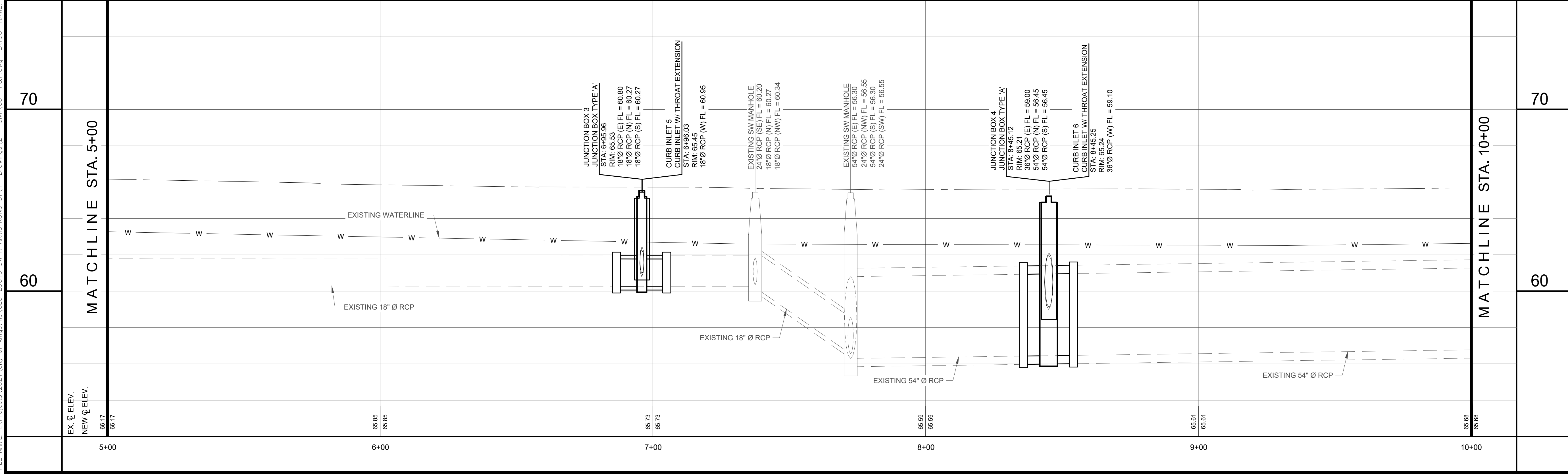
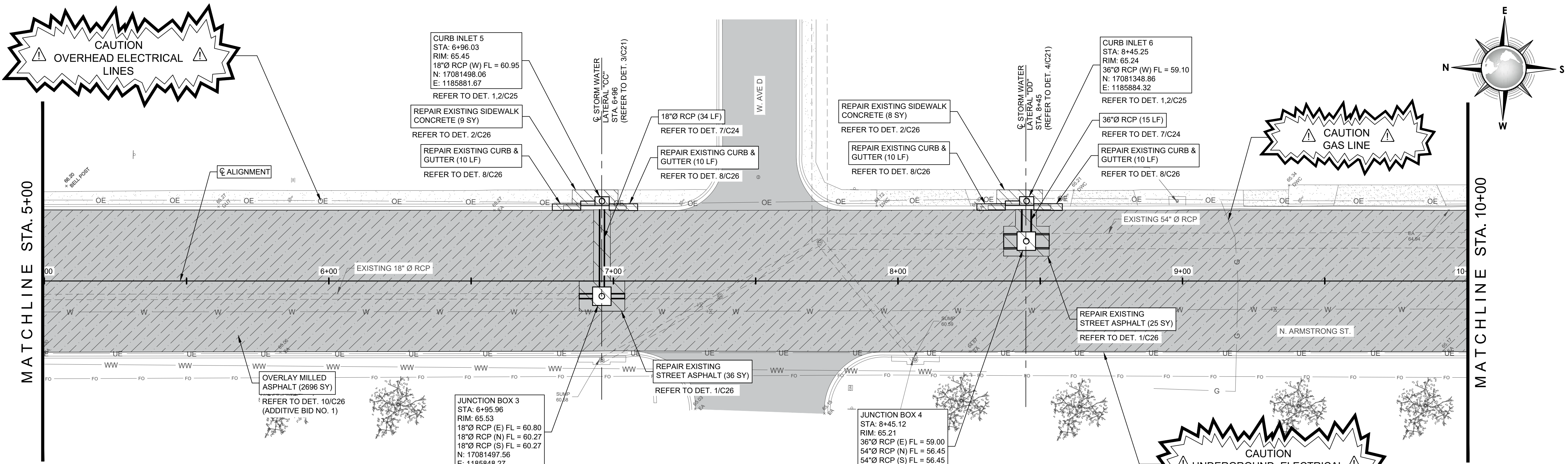


FILE NAME: I:\Projects\2021\City of Kingsville\GLO-LOC10 SW N ARMSTRONG ST\1 - Drawings\2 - PLOTTED - Tuesday, February 04, 2025 - 11:19am USER: martin

SHEET QUANTITIES SUMMARY			
ITEM	DESCRIPTION	UNIT	QUANTITY
A9	REPAIR EXISTING STREET ASPHALT	SY	61
A10	REPAIR EXISTING SIDEWALK CONCRETE	SY	17
A11	REPAIR EXISTING CURB & GUTTER	LF	40
A12	JUNCTION BOX TYPE 'A'	EA	2
A13	CURB INLET WITH THROAT EXTENSION	EA	2
A14	18" Ø RCP CLASS V	LF	34
A16	36" Ø RCP CLASS V	LF	15
B2	OVERLAY MILLED ASPHALT	SY	2,696



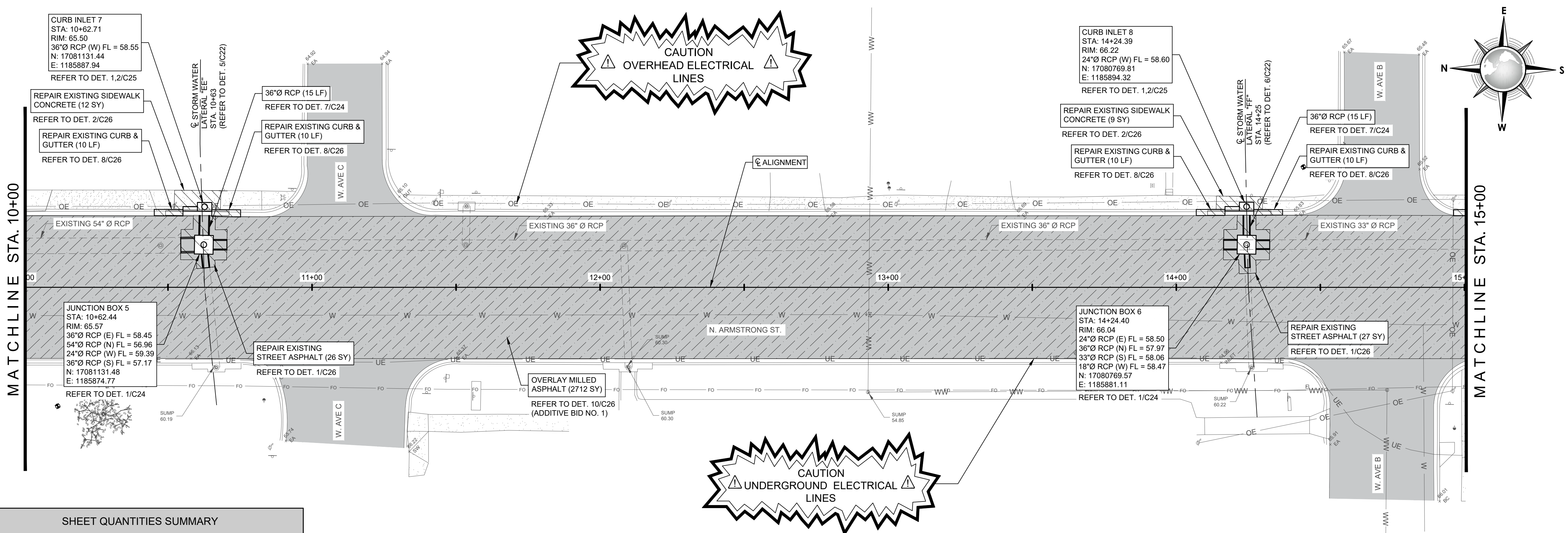
- NOTE:**
- FOR EXISTING RCP TO NEW RCP TIE-IN CONNECTION DETAIL REFER TO DET. 6/C24
  - FOR RCP TO JUNCTION CONNECTION DETAIL REFER TO DET. 5/C24



CONSULTANT'S SHEET PROJECT NO. 21107-01B		2/04/25
<b>CITY OF KINGSVILLE GLO SW PROJECT 10</b> <b>(N. ARMSTRONG ST.) STORM WATER IMPROVEMENTS</b> KINGSVILLE, KLEBERG COUNTY, TEXAS		<b>STORM WATER PLAN &amp; PROFILE II</b> STA. 5+00 TO STA. 10+00
DRAWING NO.		<b>C16</b>
SHEET 17 of 56		
REVISION NO.	DATE	DESCRIPTION
△	02-04-25	REV. 1
JCC	BY	



FILE NAME: I:\Projects\2021\City of Kingsville\GLO-LOC10 SW N ARMSTRONG ST - Drawings2 - Civil\CS - P&P.dwg LAYOUT NAME: 3 PLOTTED: Tuesday, February 04, 2025 - 11:19am USER: martin



MATCHLINE STA. 10+00

MATCHLINE STA. 15+00

SHEET QUANTITIES SUMMARY			
ITEM	DESCRIPTION	UNIT	QUANTITY
A9	REPAIR EXISTING STREET ASPHALT	SY	53
A10	REPAIR EXISTING SIDEWALK CONCRETE	SY	21
A11	REPAIR EXISTING CURB & GUTTER	LF	40
A12	JUNCTION BOX TYPE 'A'	EA	2
A13	CURB INLET WITH THROAT EXTENSION	EA	2
A16	36" Ø RCP CLASS V	LF	30
B2	OVERLAY MILLED ASPHALT	SY	2,712

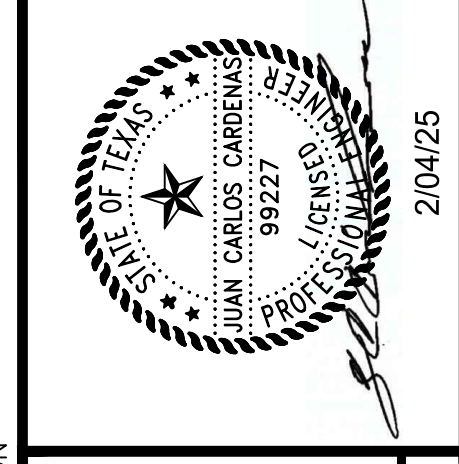
**1**  
C17/C17

**STORMWATER PLAN & PROFILE III**  
STA. 10+00 TO STA. 15+00

0 20 40

SCALE: HORIZ: 1"=20', VERT: 1"=3' (FULL SIZE SHEETS)  
SCALE: HORIZ: 1"=40', VERT: 1"=6' (HALF SIZE SHEETS)

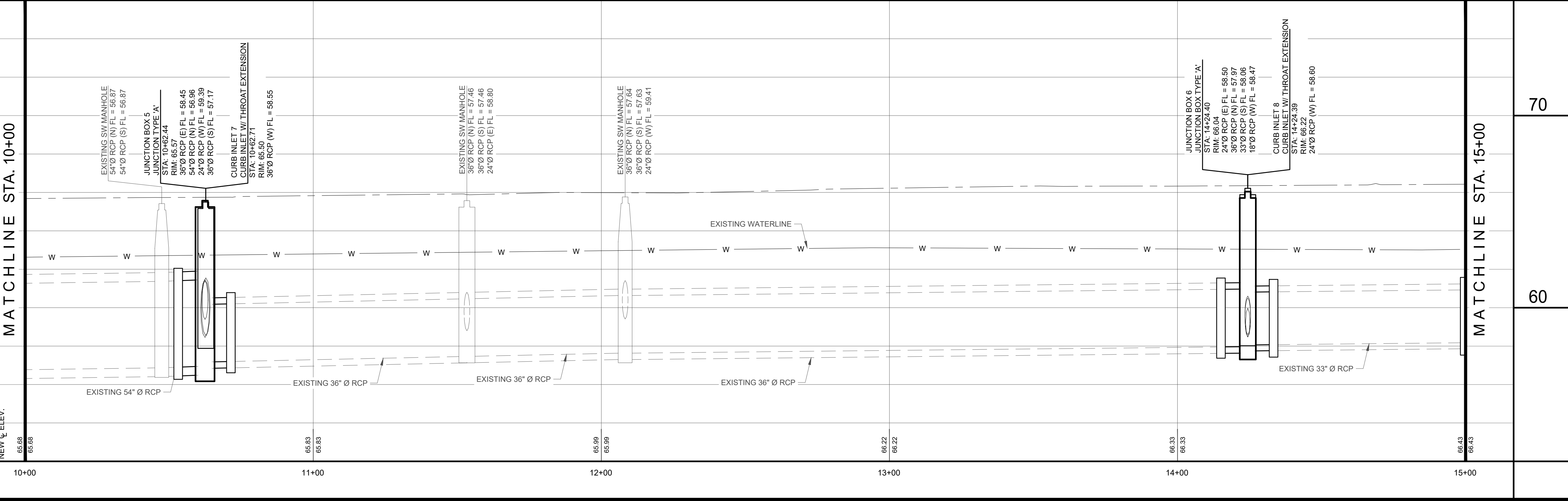
NOTE:  
1. FOR EXISTING RCP TO NEW RCP TIE-IN CONNECTION DETAIL REFER TO DET. 6/C24  
2. FOR RCP TO JUNCTION CONNECTION DETAIL REFER TO DET. 5/C24



REVISION NO.	DATE	BY	DESCRIPTION

MATCHLINE STA. 10+00

MATCHLINE STA. 15+00

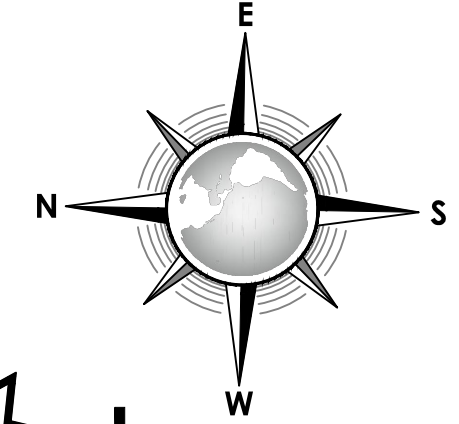
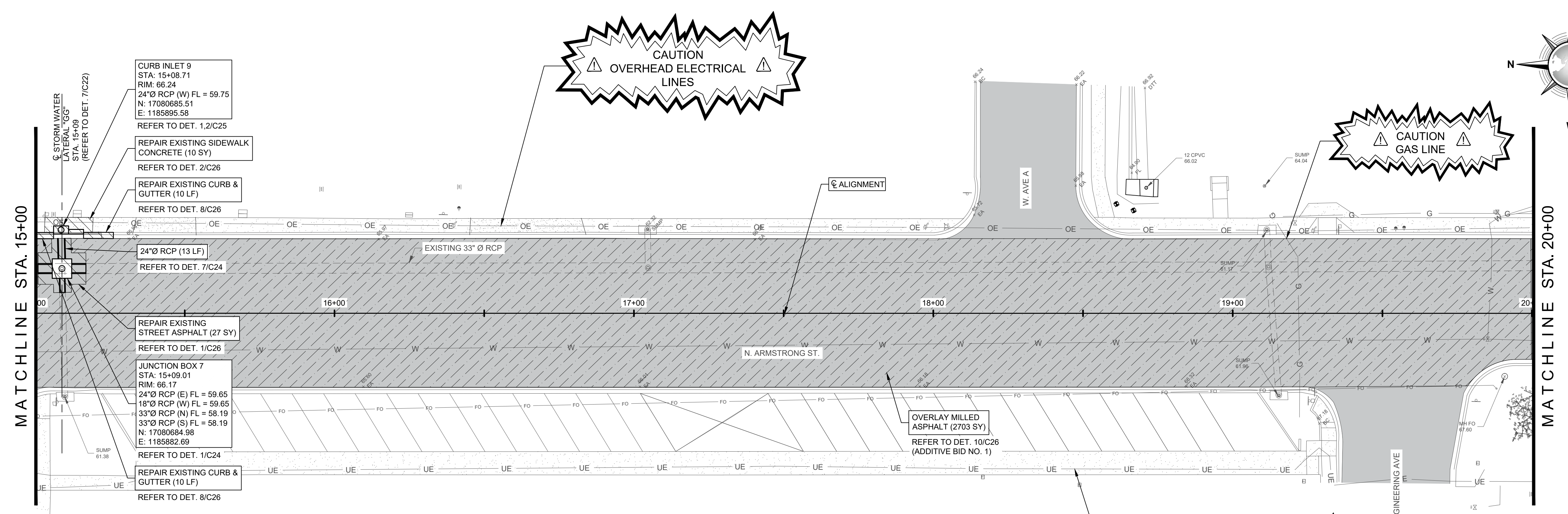


EX. Q. ELEV.  
NEW Q. ELEV.

10+00      11+00      12+00      13+00      14+00      15+00



FILE NAME: I:\Projects\2021\City of Kingsville\GLO-LOC10 SW N ARMSTRONG ST\1 - Drawings\2 - CIVIL\C5 - P&P.dwg LAYOUT NAME: 4 PLOTTED: Tuesday, February 04, 2025 - 11:19am USER: martin

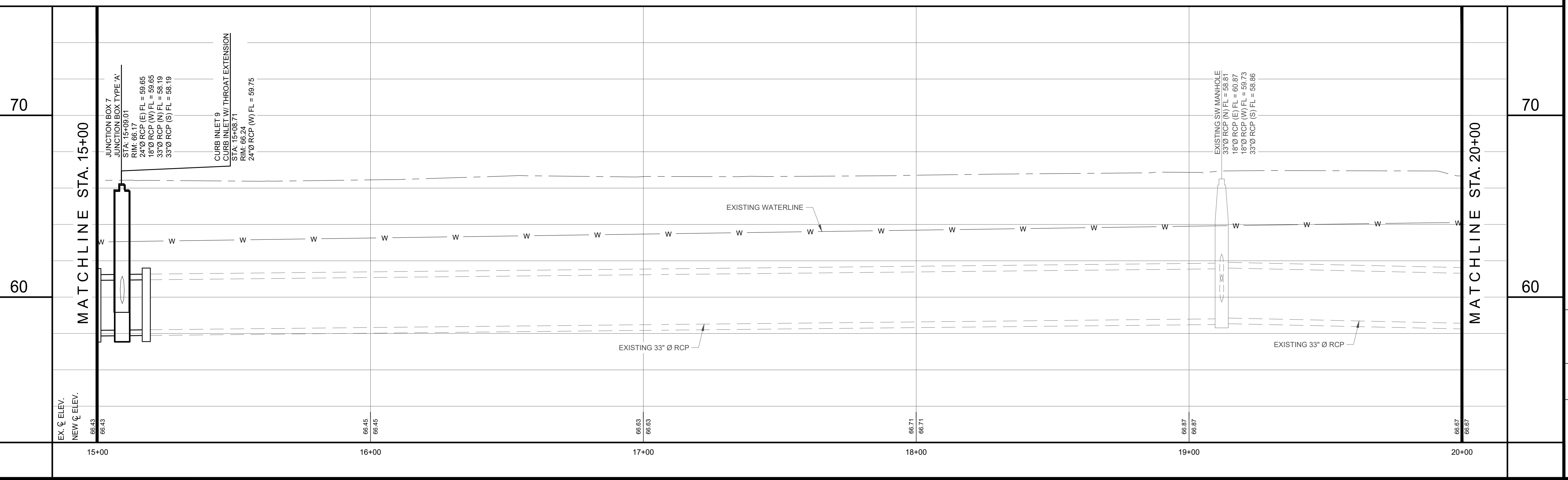


SHEET QUANTITIES SUMMARY			
ITEM	DESCRIPTION	UNIT	QUANTITY
A9	REPAIR EXISTING STREET ASPHALT	SY	27
A10	REPAIR EXISTING SIDEWALK CONCRETE	SY	10
A11	REPAIR EXISTING CURB & GUTTER	LF	20
A12	JUNCTION BOX TYPE 'A'	EA	1
A13	CURB INLET WITH THROAT EXTENSION	EA	1
A15	24"Ø RCP CLASS V	LF	13
B2	OVERLAY MILLED ASPHALT	SY	2,703

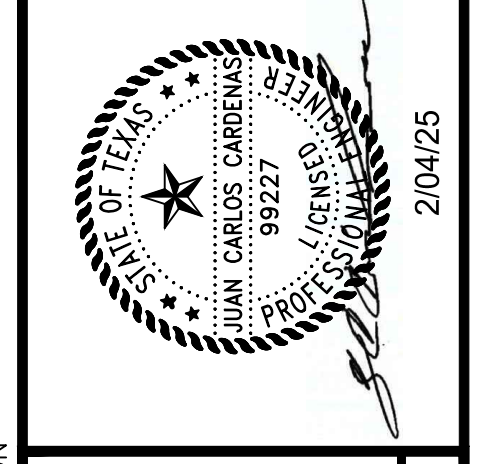
**1**  
C18/C18

SCALE: HORIZ: 1"=20', VERT: 1"=3' (FULL SIZE SHEETS)  
SCALE: HORIZ: 1"=40', VERT: 1"=6' (HALF SIZE SHEETS)

NOTE:  
1. FOR EXISTING RCP TO NEW RCP TIE-IN CONNECTION DETAIL REFER TO DET. 6/C24  
2. FOR RCP TO JUNCTION CONNECTION DETAIL REFER TO DET. 5/C24



CONSULTANT'S SHEET  
PROJECT NO. 21107-01B



**ICE**  
INTERNATIONAL CONSULTING ENGINEERS  
281 SARATOGA BLVD.  
CORPUS CHRISTI, TX 78417  
PHONE: 361.826.5805  
FAX: 361.826.5806  
T.B.P.E. FIRM REGISTRATION #F-10837



**CITY OF KINGSVILLE GLO SW PROJECT 10**  
**(N. ARMSTRONG ST.) STORM WATER IMPROVEMENTS**  
KINGSVILLE, KLEBERG COUNTY, TEXAS

**STORM WATER PLAN & PROFILE IV**  
STA. 15+00 TO STA. 20+00

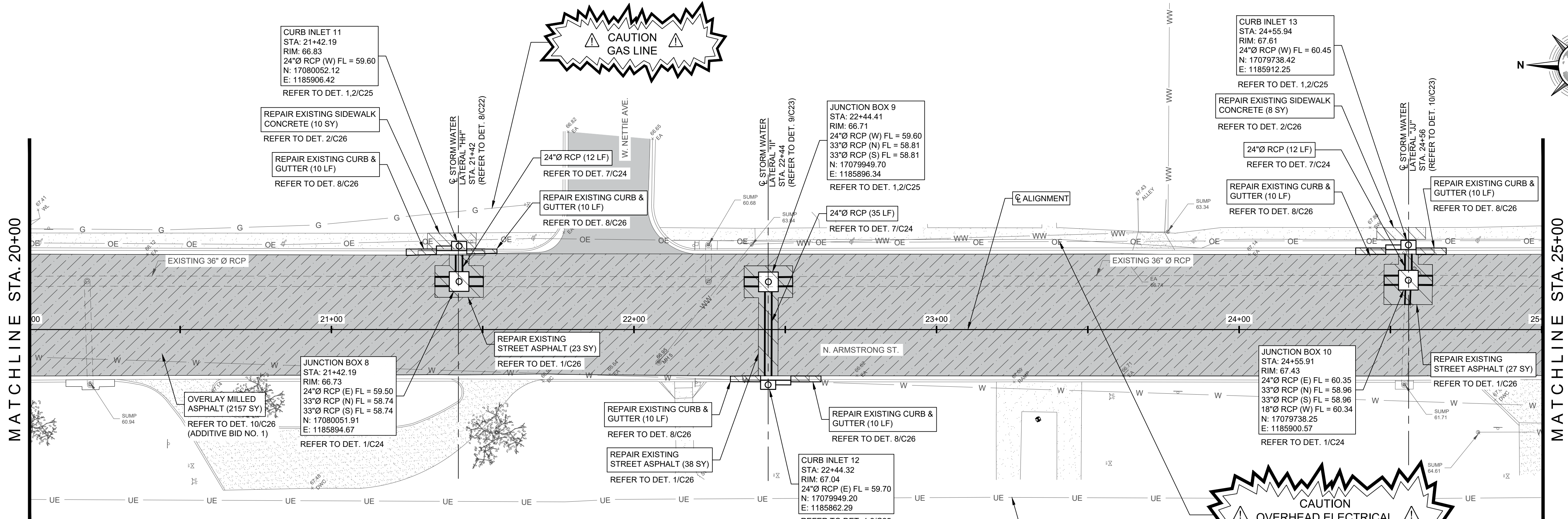
DRAWING NO.  
**C18**

SHEET 19 of 56

REVISION NO.	DATE	BY	DESCRIPTION
02-04-25		JCC	REV. 1



FILE NAME: I:\Projects\2021\City of Kingsville\GLO-LOC10 SW N ARMSTRONG ST\1 - Drawings\2 - Civi\C5 - F&P.dwg LAYOUT NAME: 5 PLOTTED: Tuesday, February 04, 2025 - 11:20am USER: martin



SHEET QUANTITIES SUMMARY			
ITEM	DESCRIPTION	UNIT	QUANTITY
A9	REPAIR EXISTING STREET ASPHALT	SY	88
A10	REPAIR EXISTING SIDEWALK CONCRETE	SY	18
A11	REPAIR EXISTING CURB & GUTTER	LF	60
A12	JUNCTION BOX TYPE 'A'	EA	3
A13	CURB INLET WITH THROAT EXTENSION	EA	3
A15	24"Ø RCP CLASS V	LF	59
B2	OVERLAY MILLED ASPHALT	SY	2,157

**1**  
C19/C19

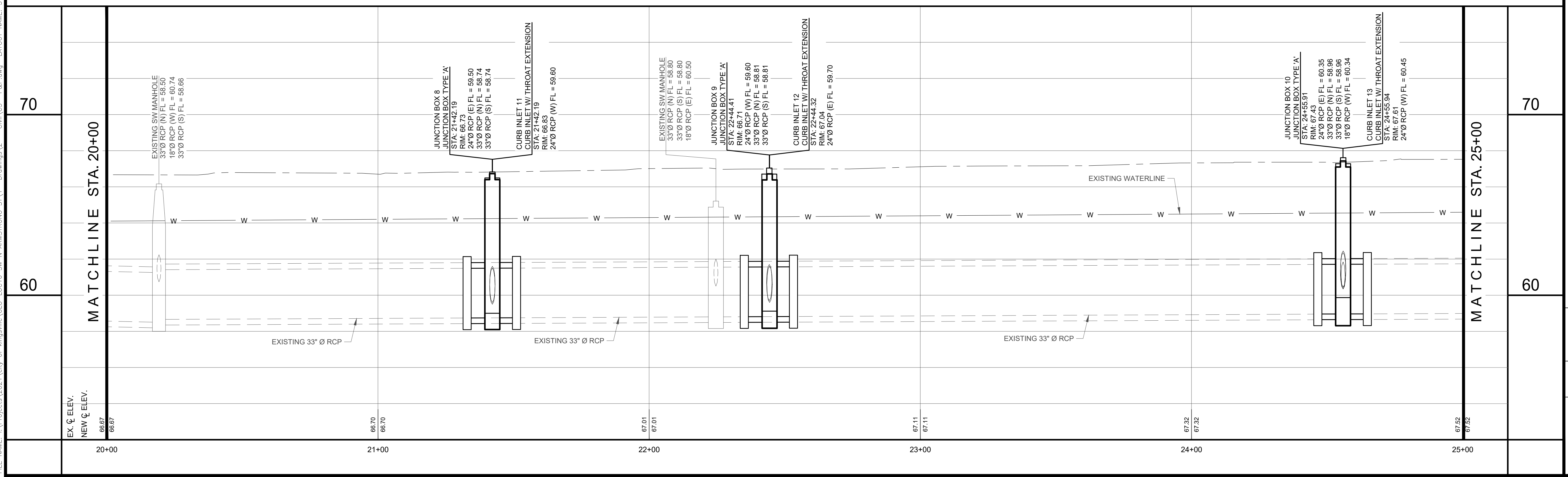
**STORMWATER PLAN & PROFILE V**  
**STA. 20+00 TO STA. 25+00**

0 20 40

SCALE: HORIZ: 1"=20', VERT: 1"=3' (FULL SIZE SHEETS)  
SCALE: HORIZ: 1"=40', VERT: 1"=6' (HALF SIZE SHEETS)

NOTE:

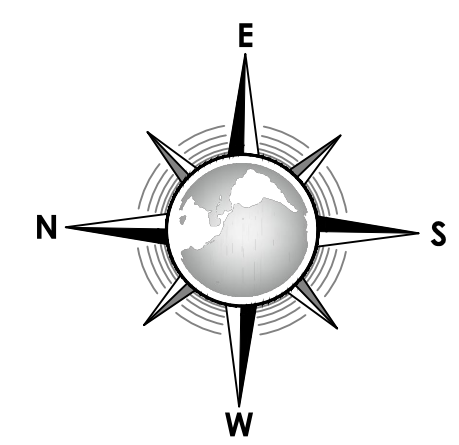
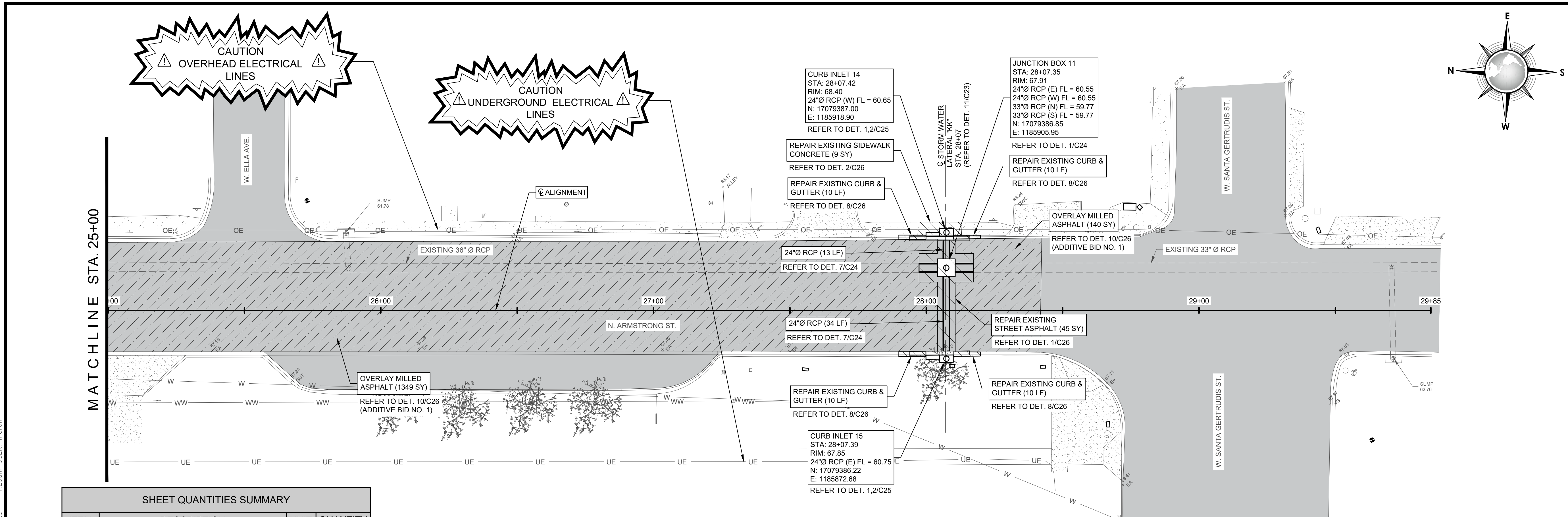
- FOR EXISTING RCP TO NEW RCP TIE-IN CONNECTION DETAIL REFER TO DET. 6/C24
- FOR RCP TO JUNCTION CONNECTION DETAIL REFER TO DET. 5/C24



CONSULTANT'S SHEET PROJECT NO. 21107-01B			2/04/25
		INTERNATIONAL CONSULTING ENGINEERS 261 SARATOGA BLVD. CORPUS CHRISTI, TX 78417 PHONE: 361.826.5805 FAX: 361.826.5806 T.B.P.E. FIRM REGISTRATION #F-10837	
REVISION NO.	DATE	BY	DESCRIPTION
<b>CITY OF KINGSVILLE GLO SW PROJECT 10</b> <b>(N. ARMSTRONG ST.) STORM WATER IMPROVEMENTS</b> KINGSVILLE, KLEBERG COUNTY, TEXAS			
<b>STORM WATER PLAN &amp; PROFILE V</b> <b>STA. 20+00 TO STA. 25+00</b>			
DRAWING NO.			
<b>C19</b>			
SHEET 20 of 56			



FILE NAME: I:\Projects\2021\City of Kingsville\GLO-LOC10 SW N ARMSTRONG ST\1 - Drawings\2 - F&P.dwg LAYOUT NAME: 6 PLOTTED: Tuesday, February 04, 2025 - 11:20am USER: martin



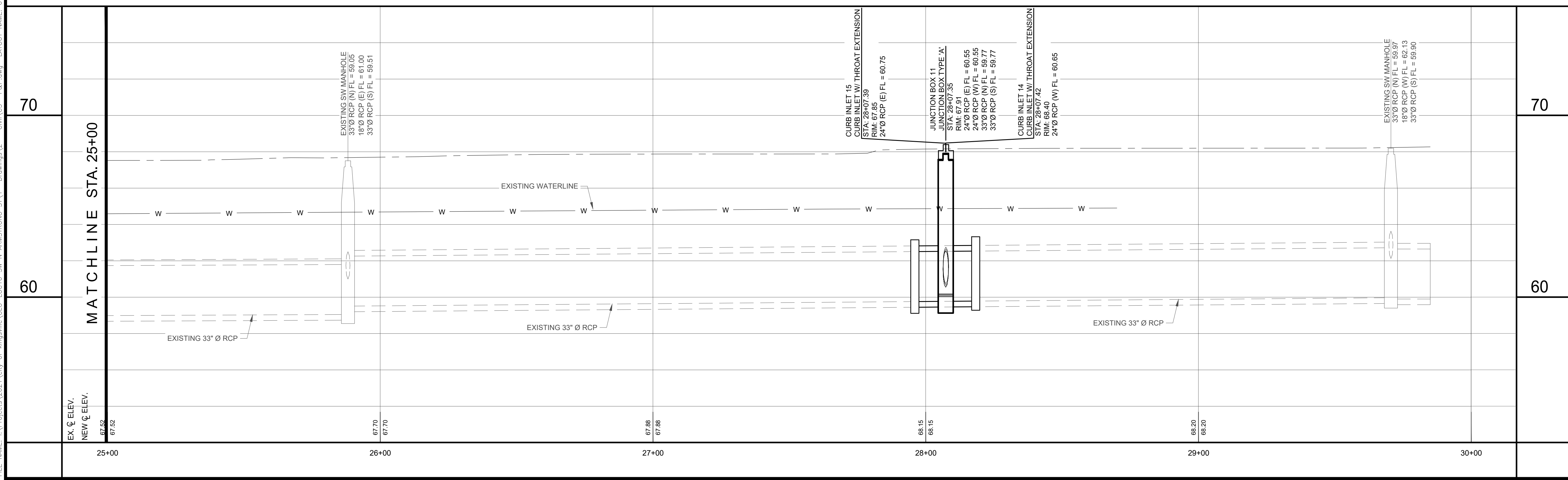
SHEET QUANTITIES SUMMARY			
ITEM	DESCRIPTION	UNIT	QUANTITY
A9	REPAIR EXISTING STREET ASPHALT	SY	45
A10	REPAIR EXISTING SIDEWALK CONCRETE	SY	9
A11	REPAIR EXISTING CURB & GUTTER	LF	40
A12	JUNCTION BOX TYPE 'A'	EA	1
A13	CURB INLET WITH THROAT EXTENSION	EA	2
A15	24"Ø RCP CLASS V	LF	47
B2	OVERLAY MILLED ASPHALT	SY	1,489

**1**  
C20 C20

0 20 40

SCALE: HORIZ: 1"=20', VERT: 1"=3' (FULL SIZE SHEETS)  
SCALE: HORIZ: 1"=40', VERT: 1"=6' (HALF SIZE SHEETS)

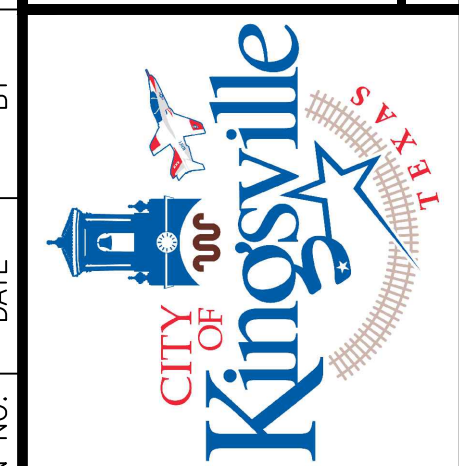
NOTE:  
1. FOR EXISTING RCP TO NEW RCP TIE-IN CONNECTION DETAIL REFER TO DET. 6/C24  
2. FOR RCP TO JUNCTION CONNECTION DETAIL REFER TO DET. 5/C24



CONSULTANT'S SHEET  
PROJECT NO. 21107-01B



**ICE**  
INTERNATIONAL CONSULTING ENGINEERS  
281 SARATOGA BLVD.  
CORPUS CHRISTI, TX 78417  
PHONE: 361.826.5805  
FAX: 361.826.5806  
T.B.P.E. FIRM REGISTRATION # F-10837



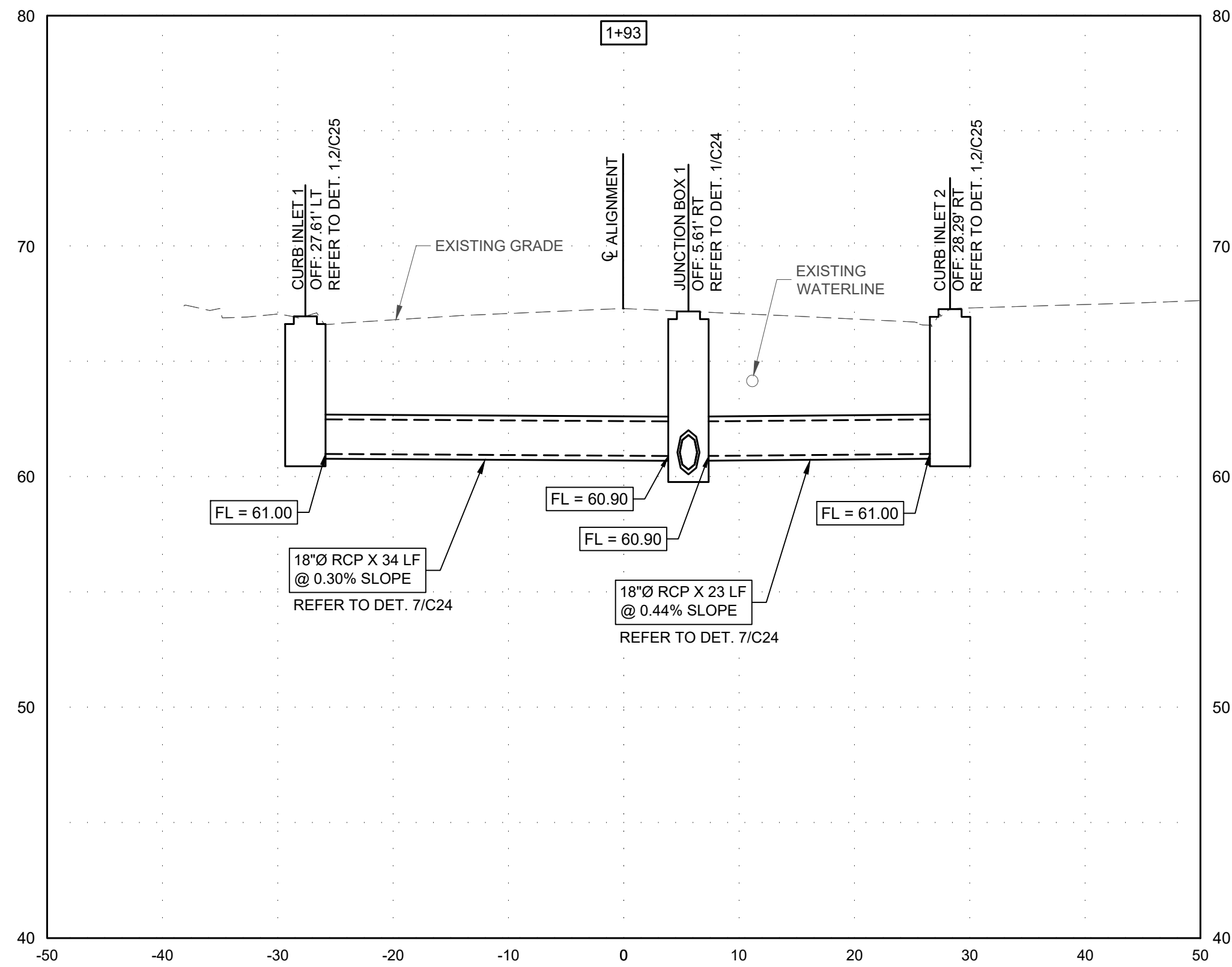
**CITY OF KINGSVILLE GLO SW PROJECT 10**  
**(N. ARMSTRONG ST.) STORM WATER IMPROVEMENTS**  
KINGSVILLE, KLEBERG COUNTY, TEXAS

**STORM WATER PLAN & PROFILE VI**  
**STA. 25+00 TO STA. 29+85 (E.O.P.)**

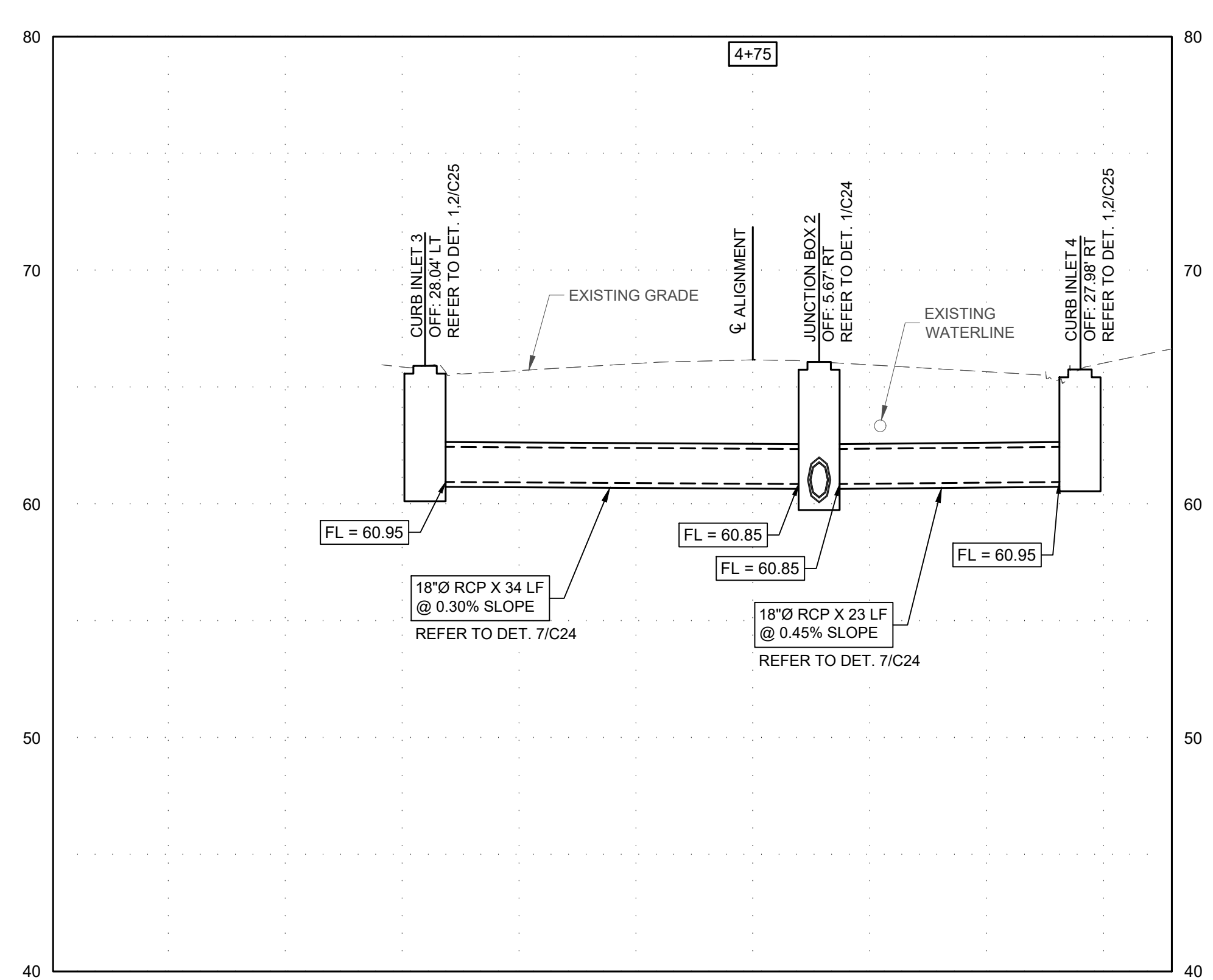
REVISION NO.	DATE	BY	DESCRIPTION
02-04-25		JCC	REV. 1

DRAWING NO.  
**C20**  
SHEET 21 of 56

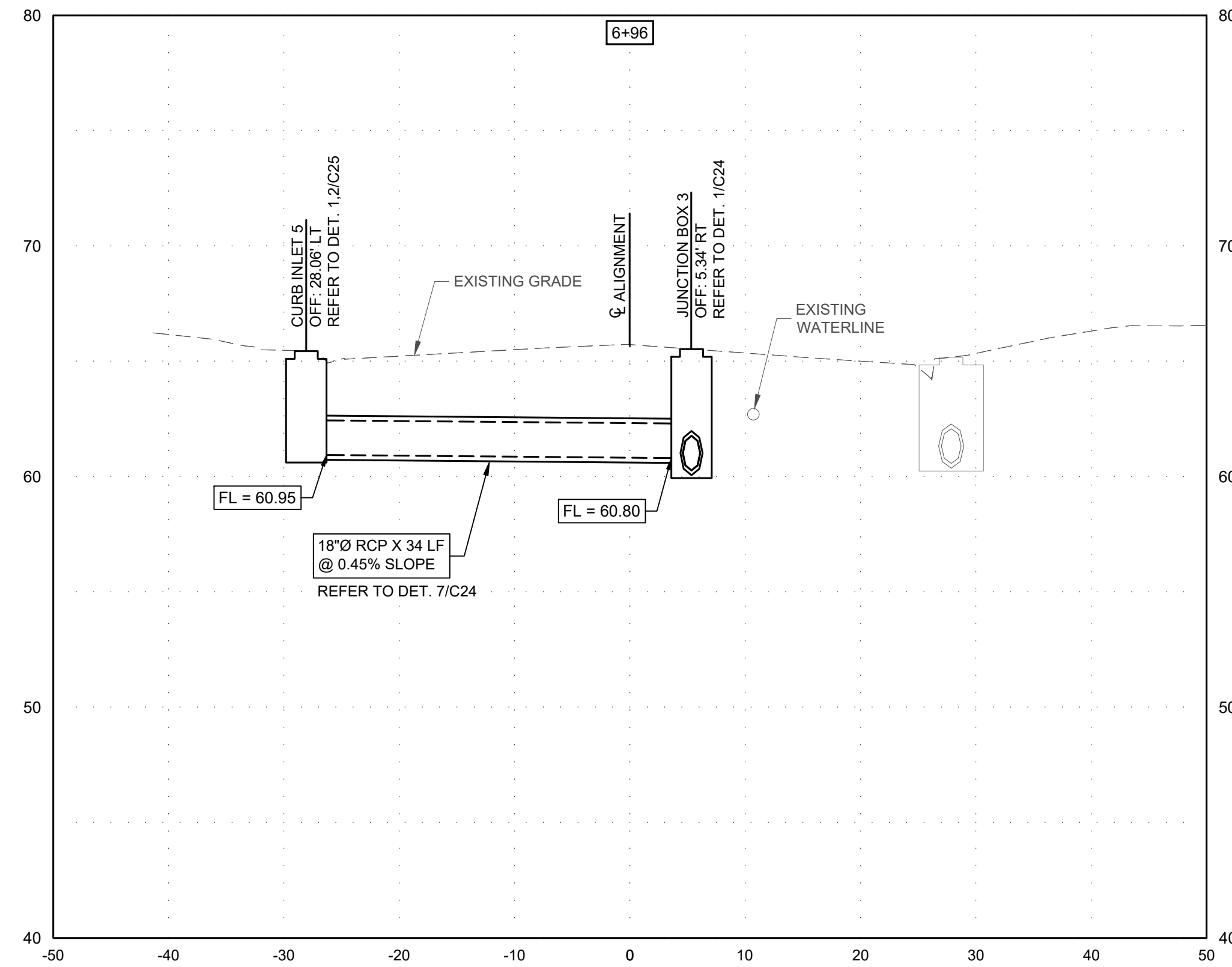
FILE NAME: I:\Projects\2021\city of kingsville\glo-sw loc10 sw n.armstrong st\1-drawings\2 - civil\CAD-SECTIONS.dwg LAYOUT NAME: 1 PLOTTED: Tuesday, February 04, 2025 - 11:20am USER: merrin



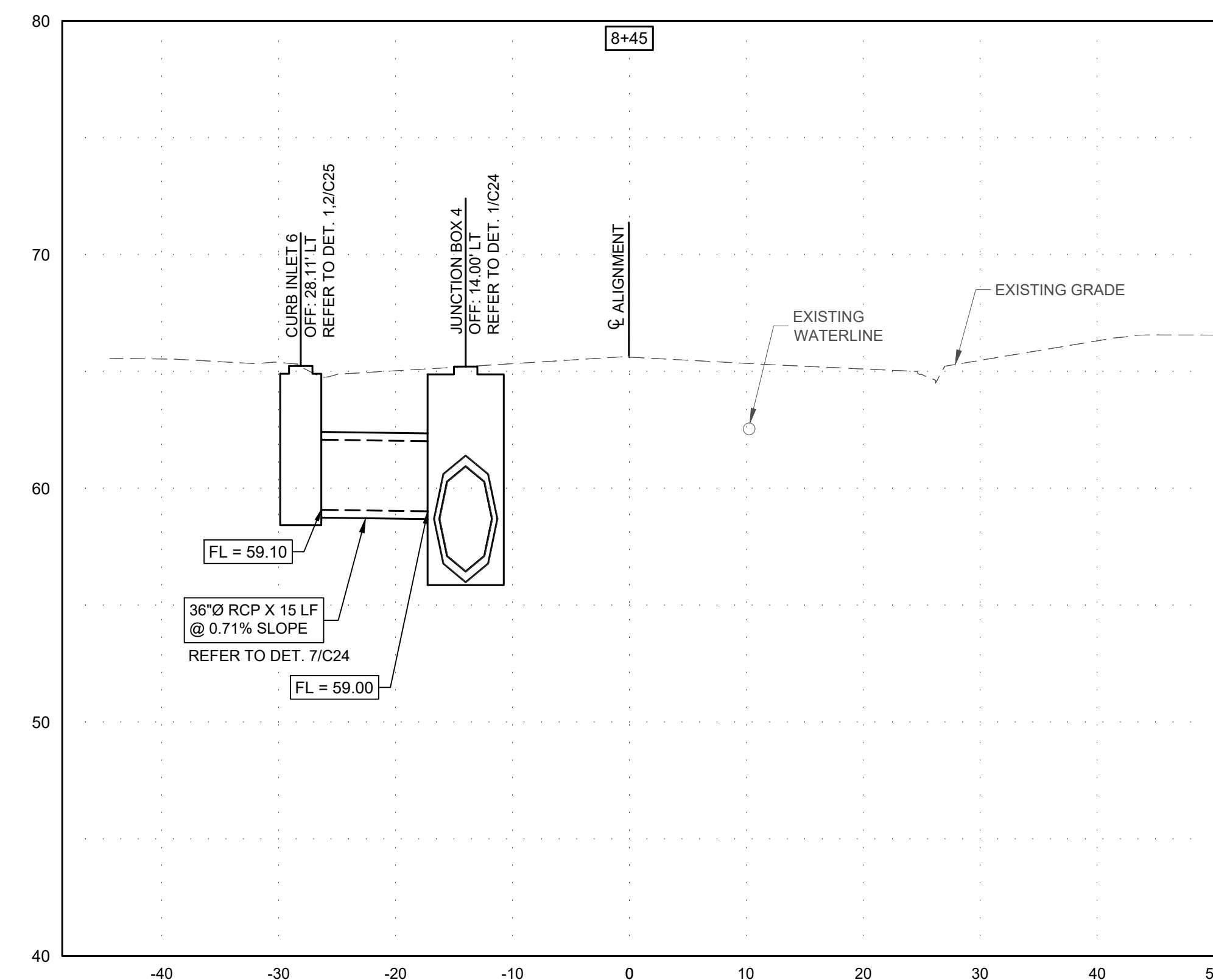
**1** STORM WATER LATERAL 'AA'  
C21 C21 SCALE: 1"=10'



**2** STORM WATER LATERAL 'BB'  
C21 C21 SCALE: 1"=10'



**3** STORM WATER LATERAL 'CC'  
C21 C21 SCALE: 1"=10'

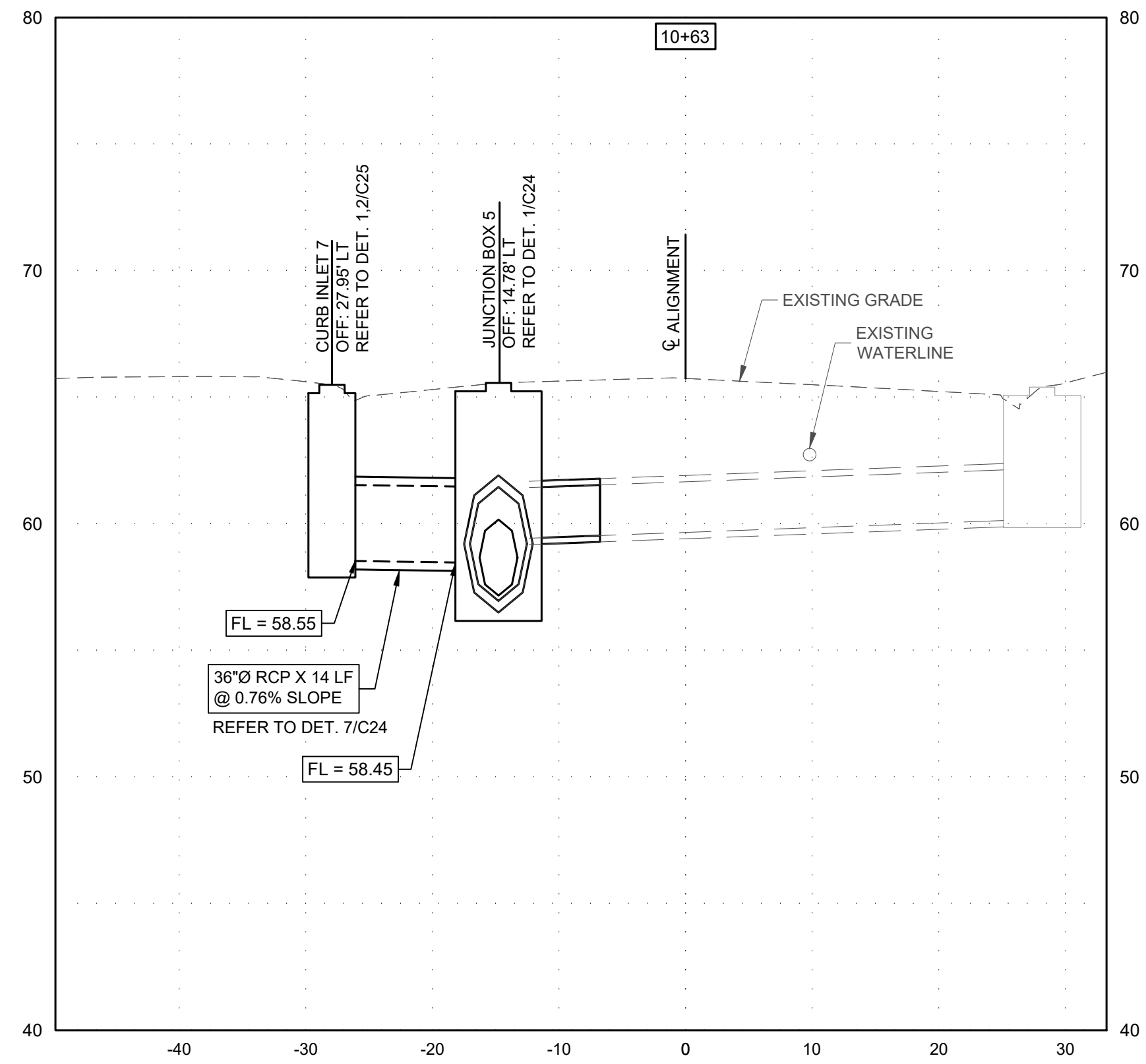


**4** STORM WATER LATERAL 'DD'  
C21 C21 SCALE: 1"=10'

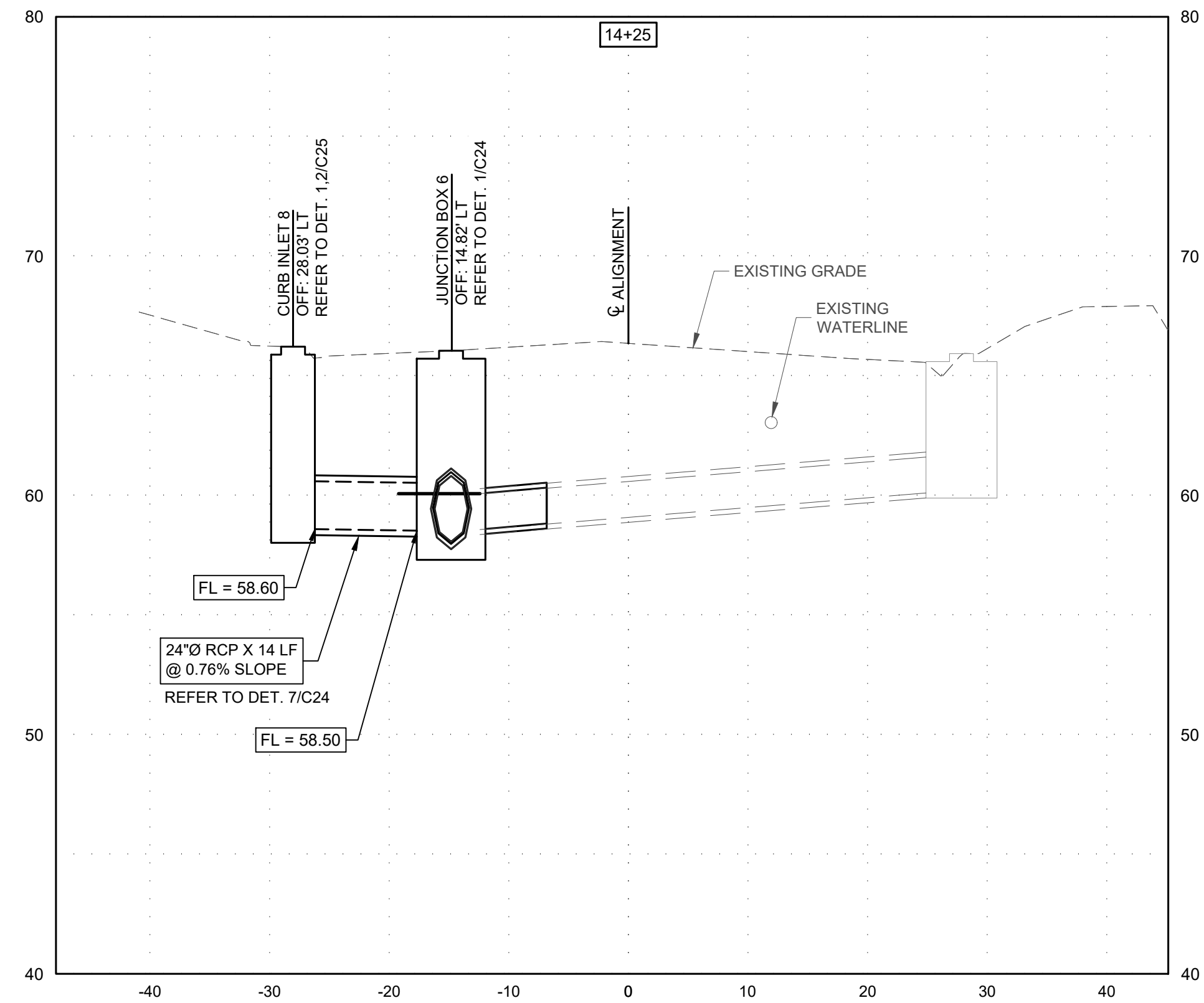
CONSULTANT'S SHEET PROJECT NO. 21107-01B			
		INTERNATIONAL CONSULTING ENGINEERS 261 SARATOGA BLVD. CORPUS CHRISTI, TX 78417 PHONE: 361.926.5805 FAX: 361.926.5806 I.B.P.E. FIRM REGISTRATION #F-10837	
REVISION NO.	DATE	BY	DESCRIPTION
<b>CITY OF KINGSVILLE GLO SW PROJECT 10</b> <b>(N. ARMSTRONG ST.) STORM WATER IMPROVEMENTS</b> KINGSVILLE, KLEBERG COUNTY, TEXAS			
<b>STORM WATER LATERALS I</b>			
REVISION NO.	DATE	BY	DESCRIPTION
△	02-04-25	JCC	REV. 1
DRAWING NO. <b>C21</b>			
SHEET <b>22</b> of <b>56</b>			



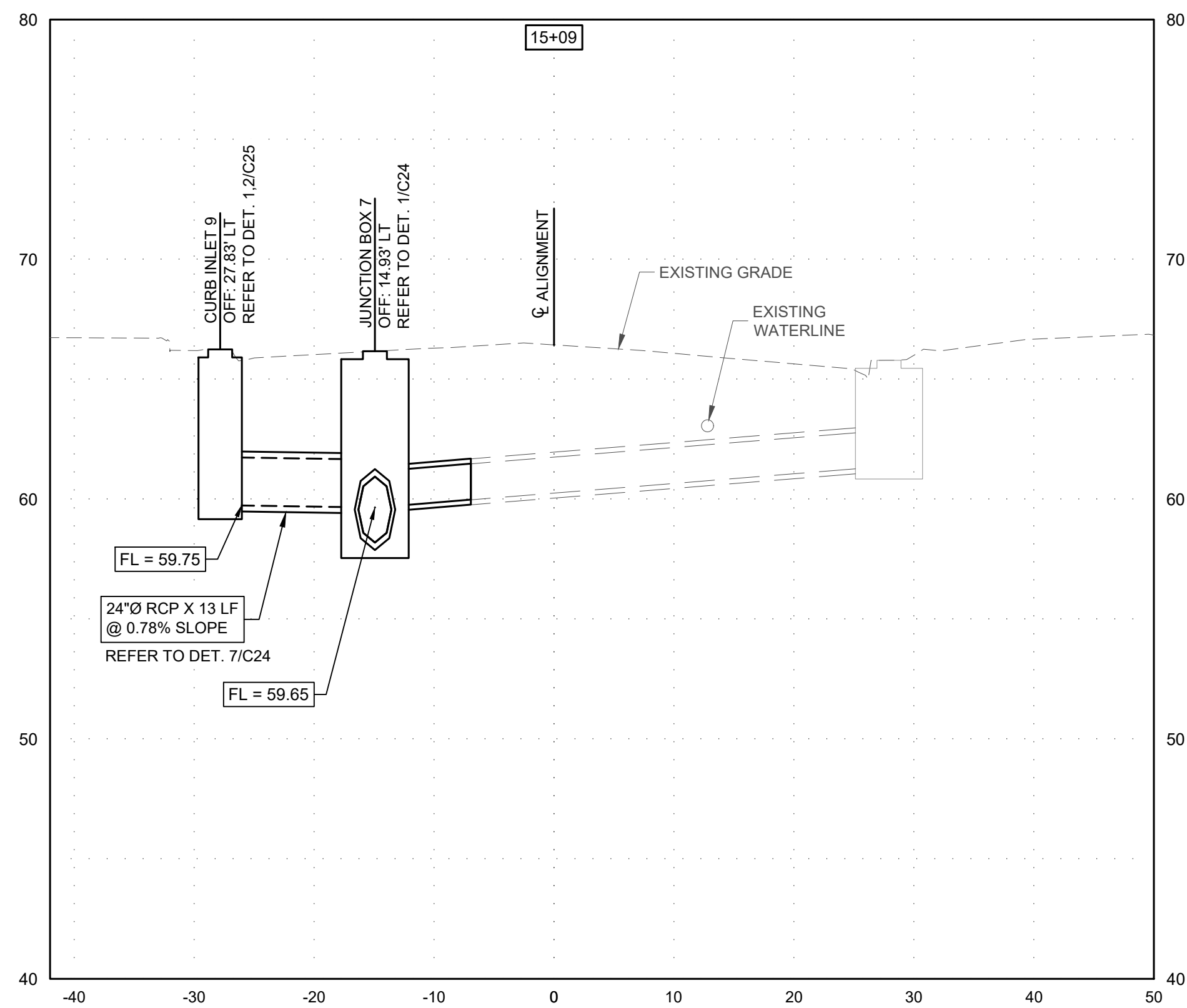
FILE NAME: I:\Projects\2021\City of Kingsville\glo-sw-loc10-sw-n-armstrong-st\1-drawings\2 - cwi\CXY-SECTIONS.dwg LAYOUT NAME: 2 PLOTTED: Tuesday, February 04, 2025 - 11:20am USER: martin



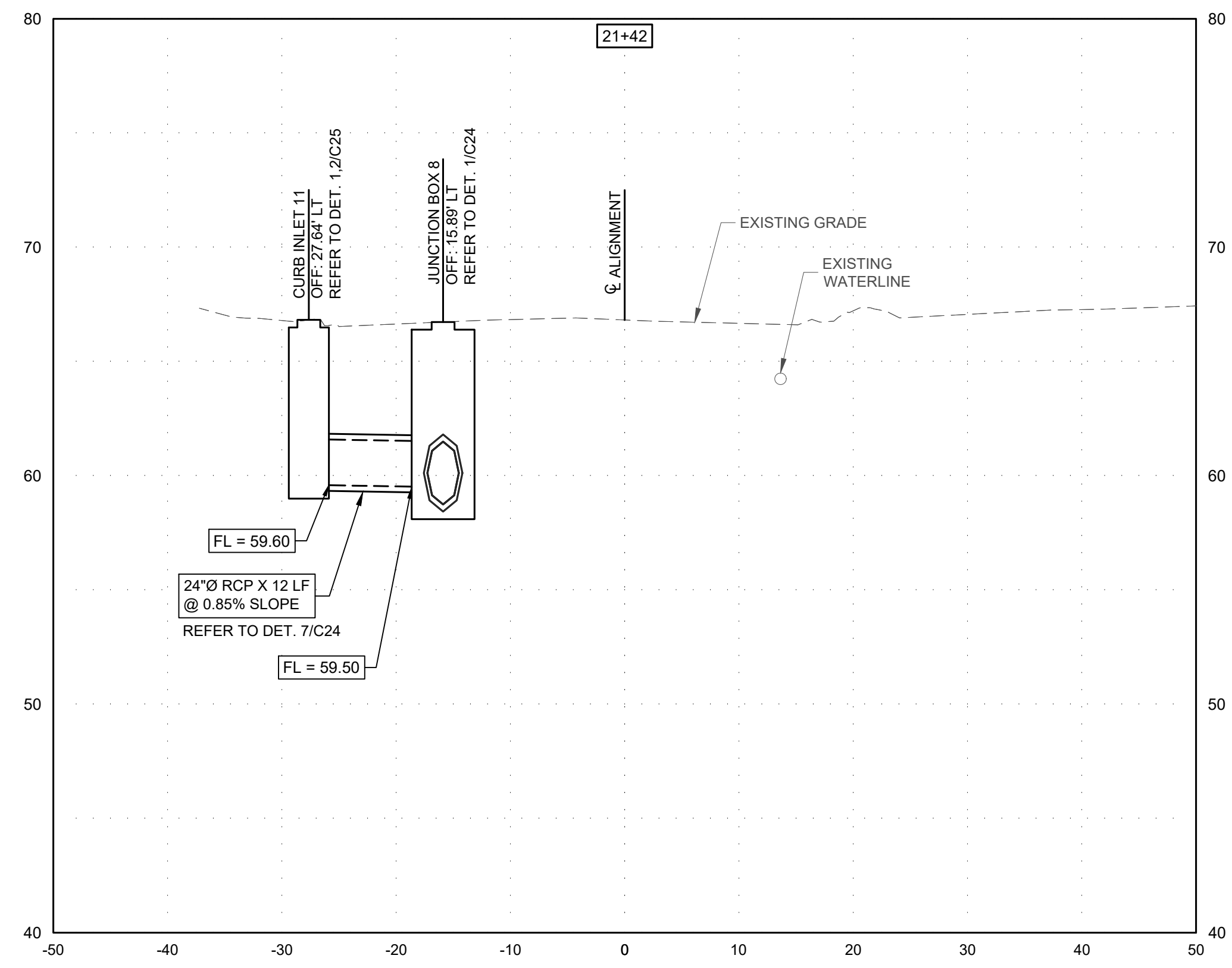
**1** STORM WATER LATERAL 'EE'  
C22 C22 SCALE: 1"=10'



**2** STORM WATER LATERAL 'FF'  
C22 C22 SCALE: 1"=10'

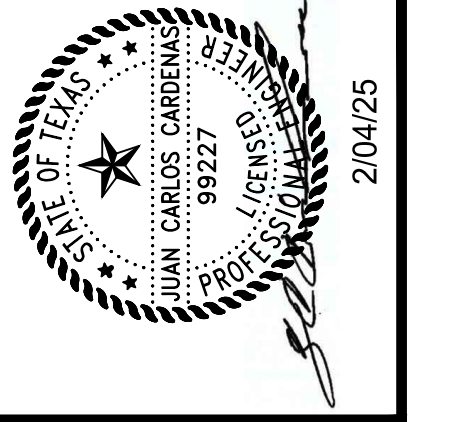


**3** STORM WATER LATERAL 'GG'  
C22 C22 SCALE: 1"=10'



**4** STORM WATER LATERAL 'HH'  
C22 C22 SCALE: 1"=10'

CONSULTANT'S SHEET  
PROJECT NO. 21107-01B



**IOE**  
INTERNATIONAL CONSULTING ENGINEERS  
261 SARATOGA BLVD.  
CORPUS CHRISTI, TX 78417  
PHONE: 361.926.5805  
FAX: 361.926.5806  
I.B.P.E. FIRM REGISTRATION #F-10837



**CITY OF KINGSVILLE GLO SW PROJECT 10**  
**(N. ARMSTRONG ST.) STORM WATER IMPROVEMENTS**  
KINGSVILLE, KLEBERG COUNTY, TEXAS

STORM WATER LATERALS II

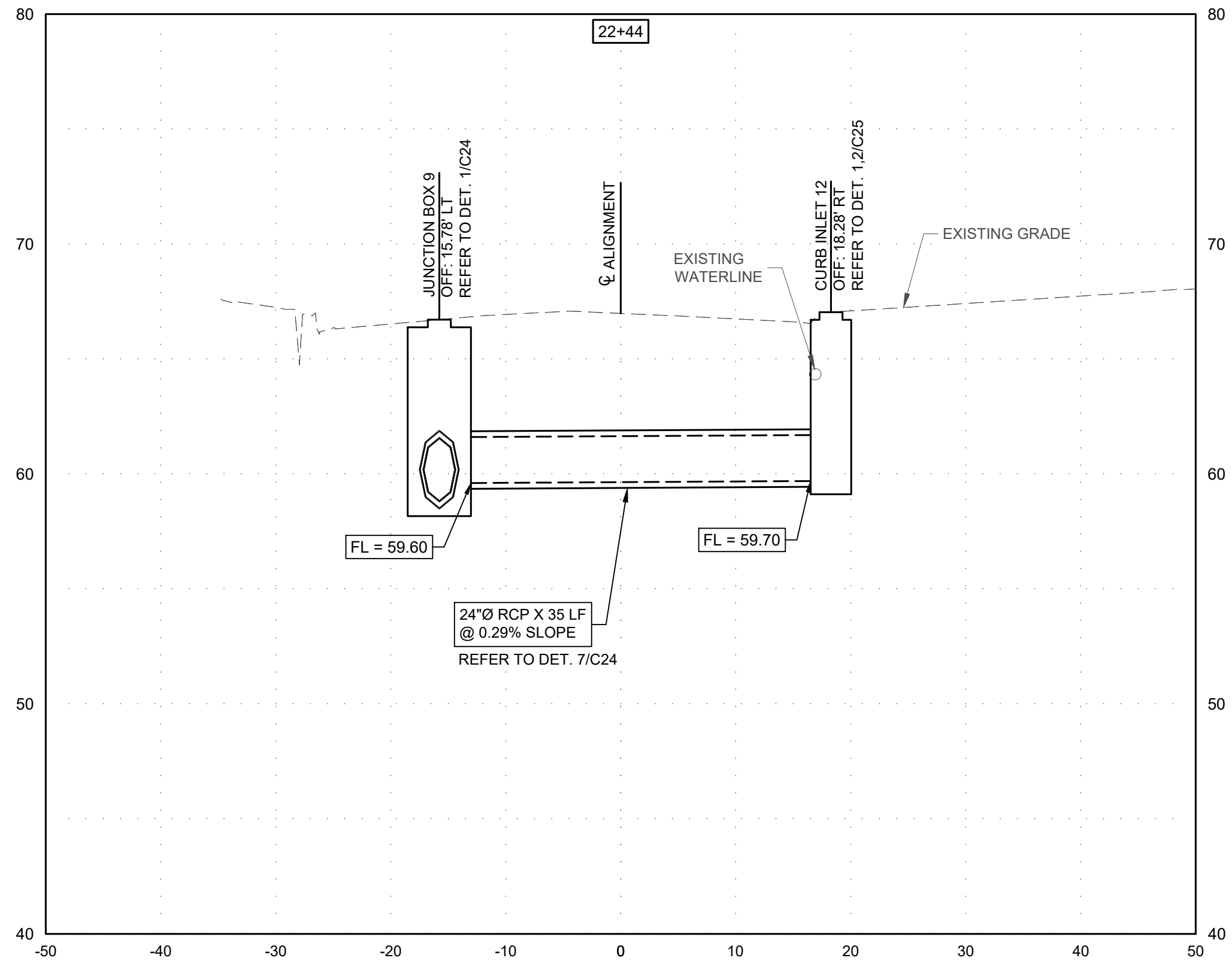
DRAWING NO.

**C22**

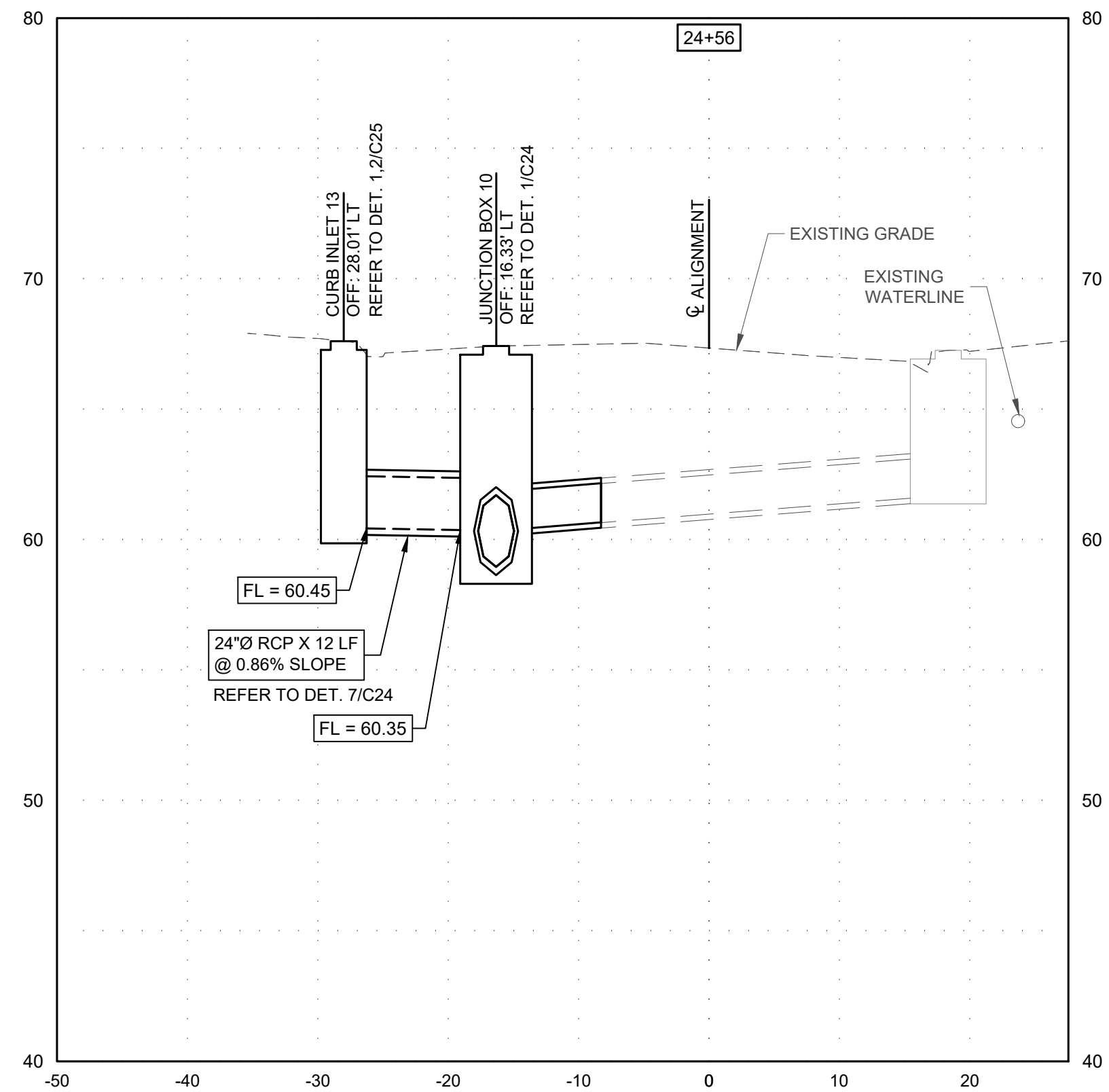
SHEET 23 of 56

REVISION NO.	DATE	BY	DESCRIPTION
	02-04-25	JCC	REV. 1

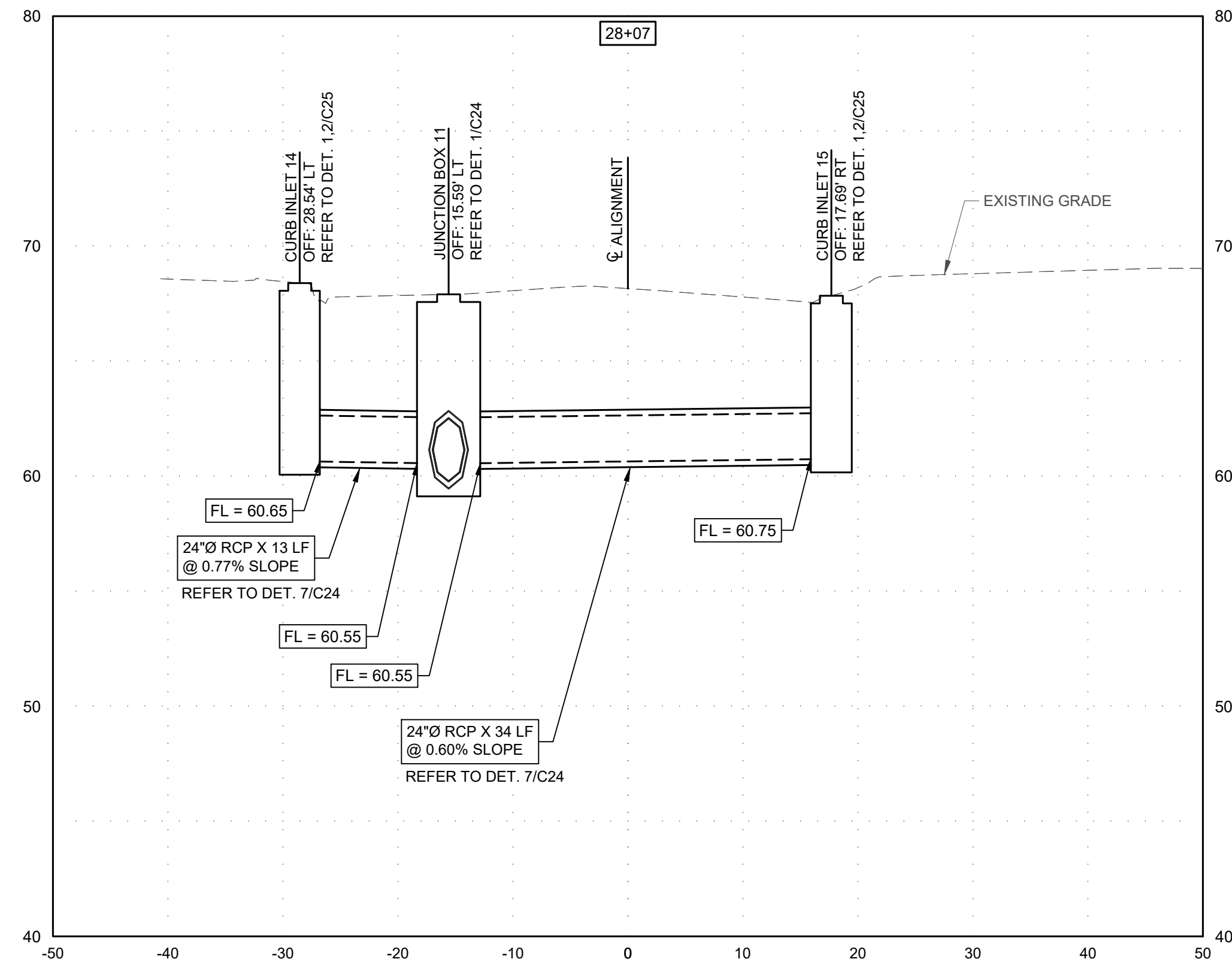
FILE NAME: I:\Projects\2021\City of Kingsville\glo-sw-loc10-sw-n-armstrong-st\1-drawings\2 - civil\CAD-SECTIONS.dwg LAYOUT NAME: 3 PLOTTED: Tuesday, February 04, 2025 - 11:21am USER: martin



**1** STORM WATER LATERAL 'II'  
C23 C23 SCALE: 1"=10'



**2** STORM WATER LATERAL 'JJ'  
C23 C23 SCALE: 1"=10'

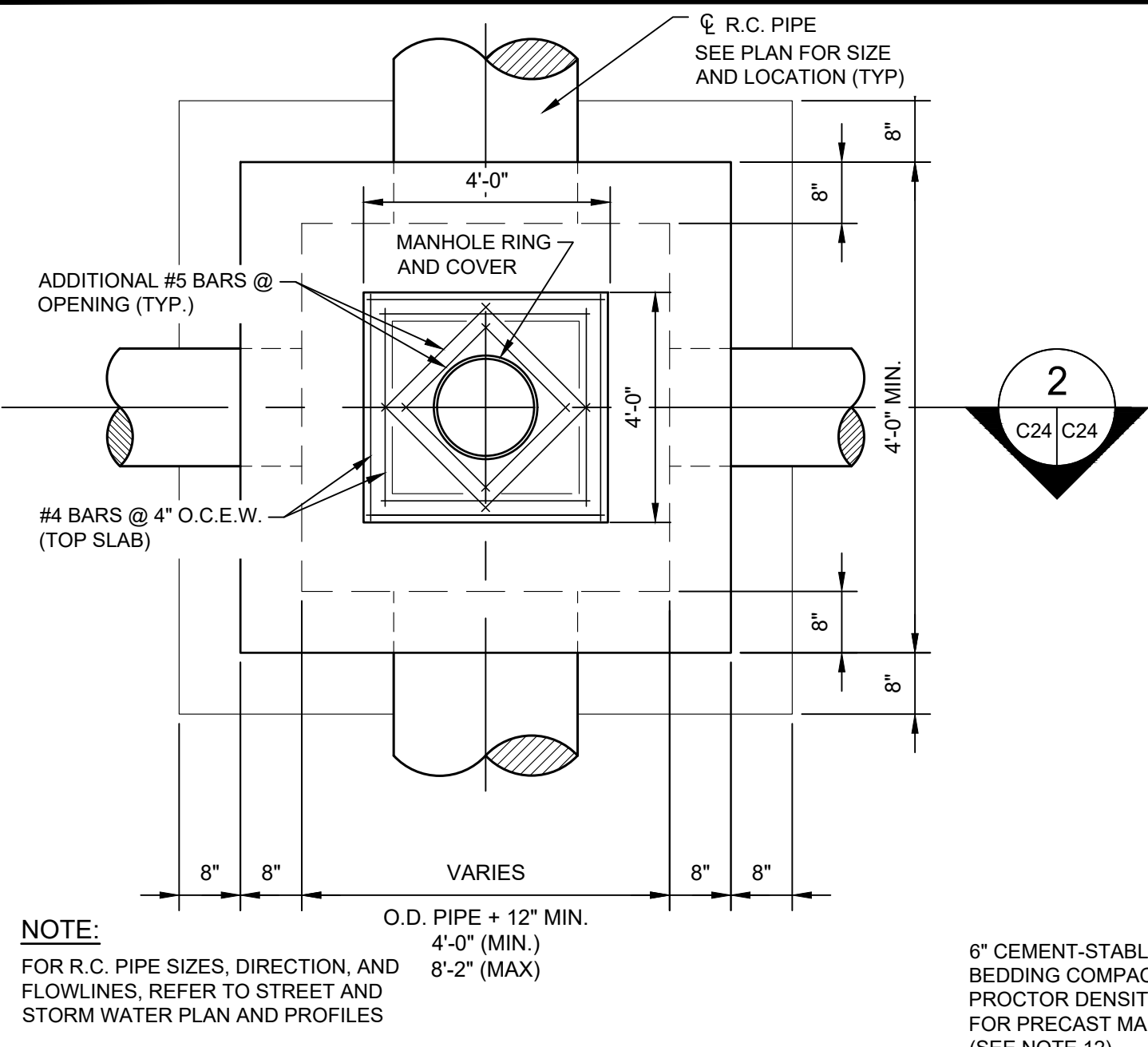


**3** STORM WATER LATERAL 'KK'  
C23 C23 SCALE: 1"=10'

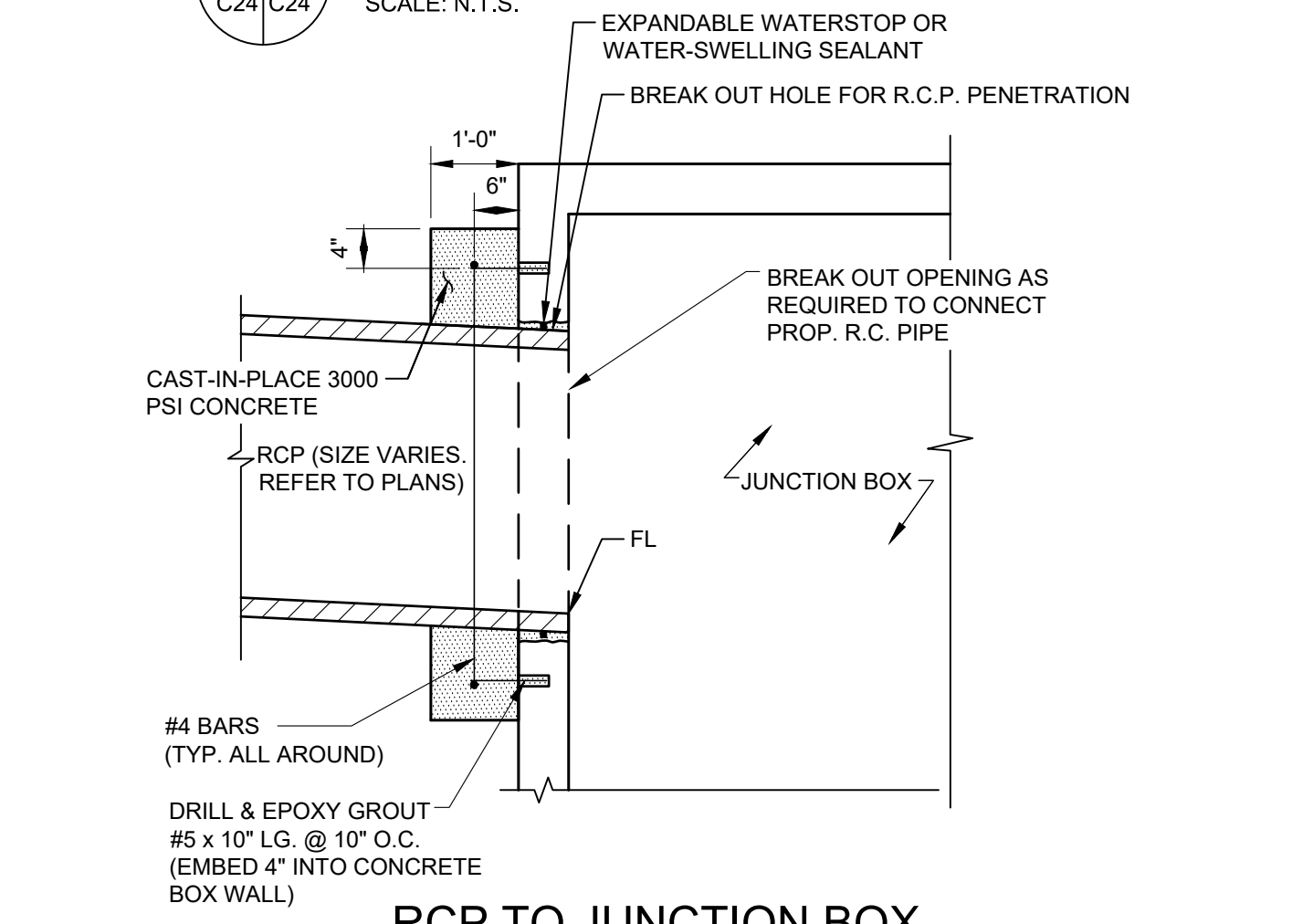
CONSULTANT'S SHEET PROJECT NO. 21107-01B			
		INTERNATIONAL CONSULTING ENGINEERS 261 SARATOGA BLVD. CORPUS CHRISTI, TX 78417 PHONE: 361.926.5805 FAX: 361.926.5806 I.B.P.E. FIRM REGISTRATION #F-10837	
		CITY OF <b>Kingsville</b> TEXAS	
REVISION NO.	DESCRIPTION	DATE	BY
△	CITY OF KINGSVILLE GLO SW PROJECT 10 (N. ARMSTRONG ST.) STORM WATER IMPROVEMENTS KINGSVILLE, KLEBERG COUNTY, TEXAS	02-04-25	JCC
REV. 1	STORM WATER LATERALS III		BY
DRAWING NO.		C23	
SHEET		24 of 56	



FILE NAME: I:\Projects\2021\City of Kingsville\GLO-SW-LOC10-SW-11-ARMSTRONG-SET1-Drawings\2 - Civil\06-C8-COCC-Storm Water\dwg - LAYOUT NAME: 1 - PLOTTED: Tuesday, February 04, 2025 - 11:12 am USER: martin



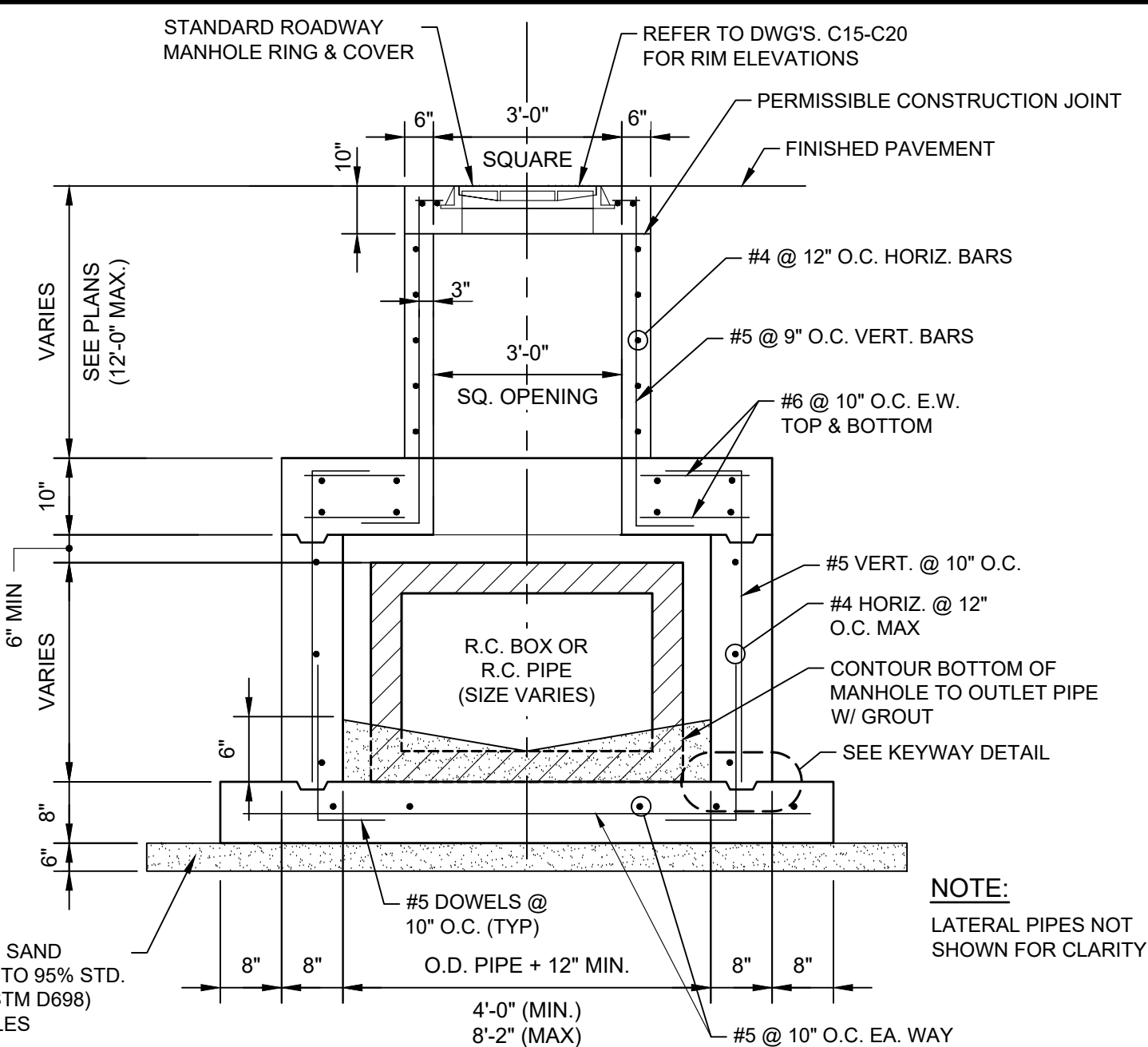
**1 JUNCTION BOX TYPE 'A'**  
SCALE: N.T.S.



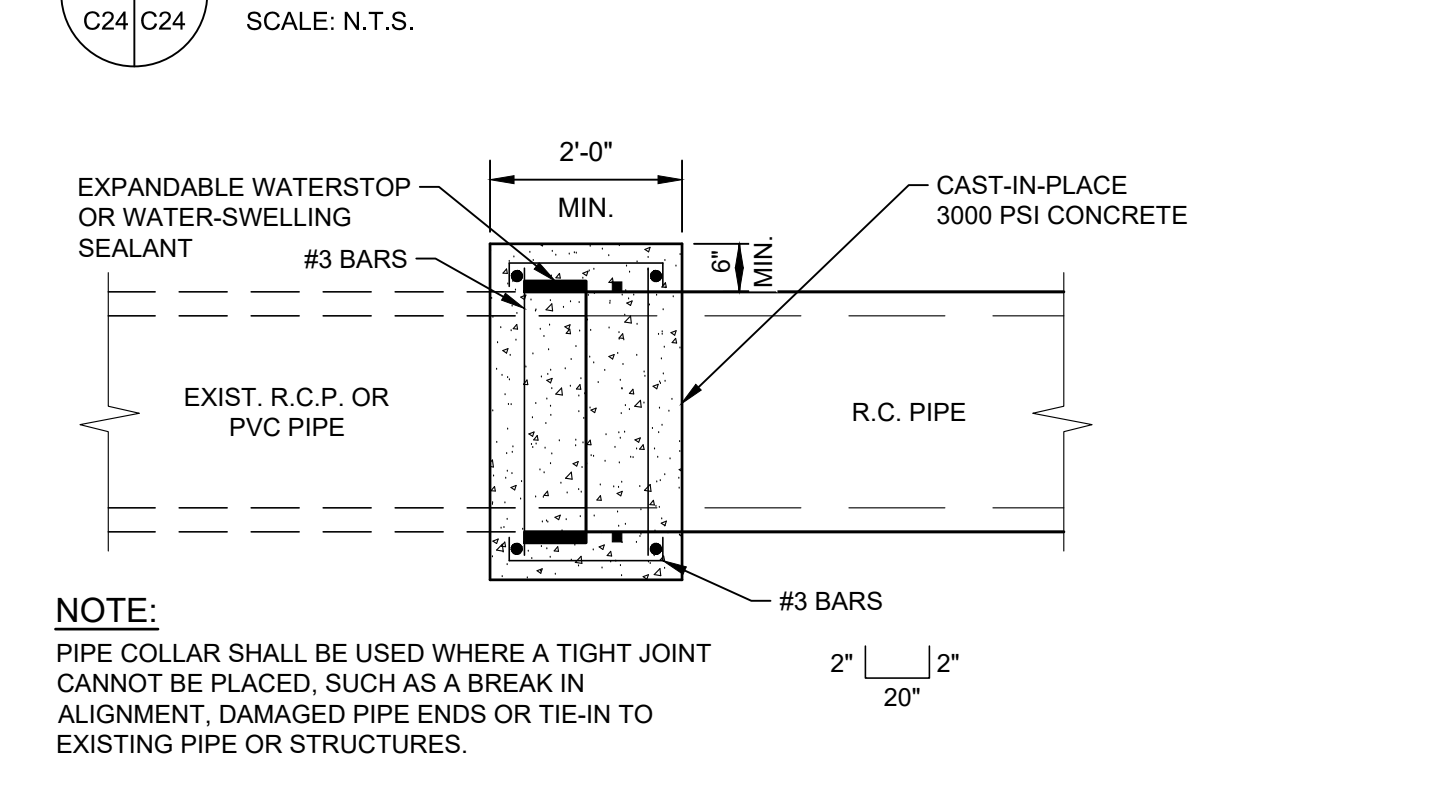
**2 JUNCTION BOX TYPE 'A' SECTION**  
SCALE: N.T.S.

**GENERAL NOTES FOR CONCRETE DRAINAGE STRUCTURES:**

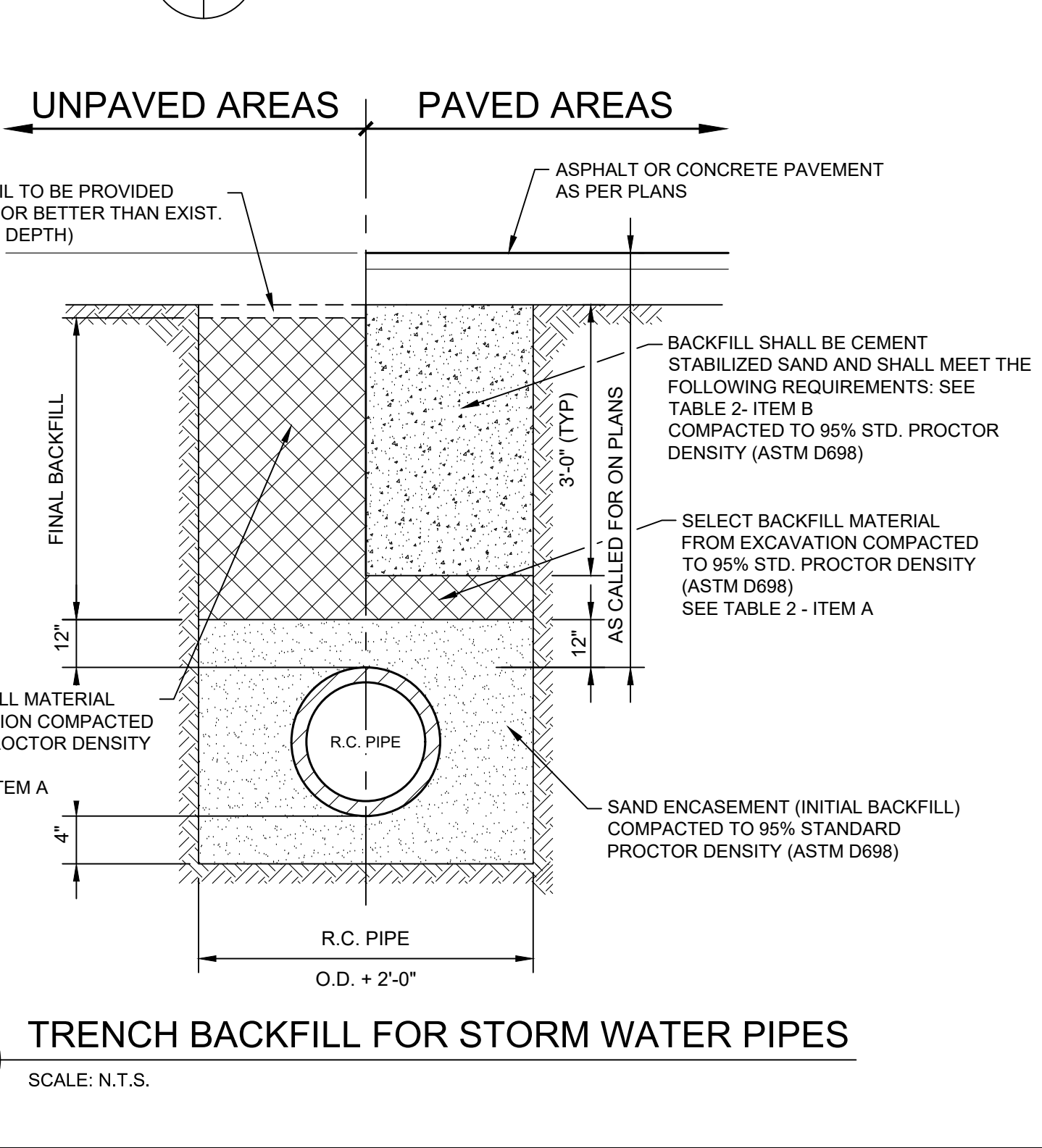
- ALL CONCRETE SHALL BE CLASS "C" (3600 PSI) EXCEPT STANDARD CURB INLETS AND CONCRETE COLLARS MAY BE CLASS "A".
- ALL REINFORCING STEEL SHALL BE GRADE 60.
- DIMENSIONS RELATING TO REINFORCING STEEL ARE TO CENTERS OF BARS.
- VERTICAL STEEL MAY BE SPLICED (15" MIN. LAP) IN THE LOWER ONE-HALF OF ALL INLET WALLS.
- IN AREAS OF CONFLICT BETWEEN REINFORCING STEEL, PIPES AND MANHOLE FRAME, THE REINFORCEMENT SHALL BE BENT OR ADJUSTED TO CLEAR AS DIRECTED BY THE ENGINEER.
- CHAMFER ALL EXPOSED EDGES 3/4".
- PROVIDE STANDARD SIDEWALK MANHOLE RING AND COVER FOR STANDARD CURB INLET. PROVIDE STANDARD ROADWAY STORM WATER MANHOLE RING AND COVER FOR SPECIAL CURB INLET.
- THE CONTRACTOR MAY PROPOSE ALTERNATE PROCEDURES FOR THE CONSTRUCTION OF INLETS AND MANHOLES, INCLUDING PRECAST UNITS. PLANS FOR SUCH PROPOSED ALTERNATES SHALL BE SUBMITTED TO THE ENGINEER FOR REVIEW AND APPROVAL BEFORE CONSTRUCTION. PRECAST MANHOLE WITHIN THE ROADWAY SHALL BE DESIGNED TO SUPPORT HS 20 TRAFFIC LOADING AND SEALED BY A LICENSED ENGINEER.
- ALL INLET WALLS SHALL BE FORMED EXCEPT WHERE THE NATURE OF THE SURROUNDING MATERIAL IS SUCH THAT IT CAN BE TRIMMED TO A SMOOTH VERTICAL FACE. WHEN INLET WALLS ARE PLACED TO NEAT EXCAVATION LINES THE WALL THICKNESS SHALL NOT EXCEED 10 INCHES. PAYMENT FOR INLET AT THE CONTRACT PRICE SHALL INCLUDE THE TRANSITION CURB.
- INVERT OF INLET SHALL BE SLOPED 1:20 WITH GROUT.
- NO SPLICING OF REINFORCING STEEL SHALL BE PERMITTED EXCEPT WHERE OTHERWISE NOTED ON THE PLANS OR PERMITTED IN WRITING BY THE ENGINEER.
- IN DEEP EXCAVATIONS (> 20') OR BELOW WATER TABLE, USE CRUSHED STONE OR CRUSHED GRAVEL MEETING GRADATION OF CONCRETE COARSE AGGREGATE; TxDOT ITEM 421; GRADE 2, 3, OR 4.



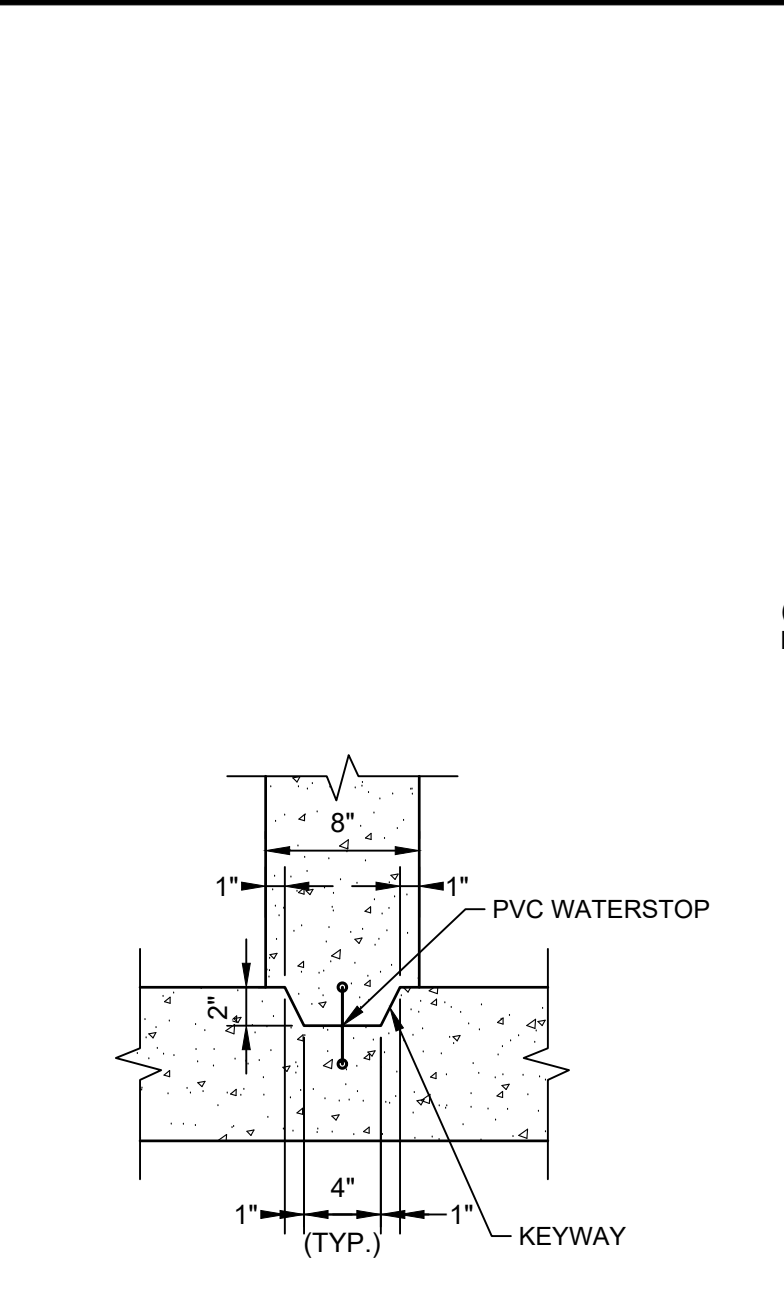
**3 KEYWAY DETAIL**  
SCALE: N.T.S.



**4 STANDARD ROADWAY MANHOLE RING & COVER CASTING DETAIL**  
SCALE: N.T.S.



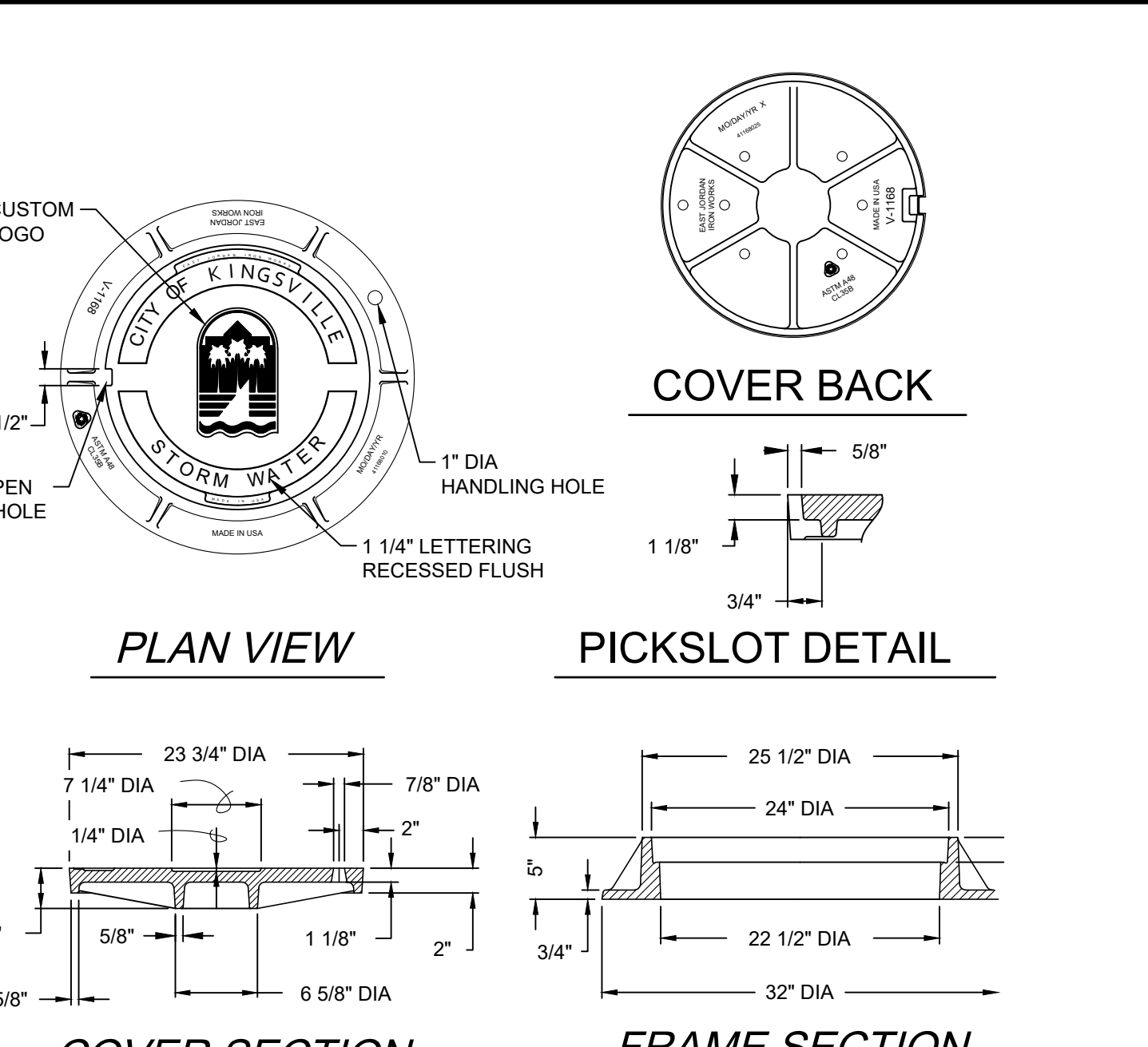
**5 CONCRETE COLLAR**  
SCALE: N.T.S.



**6 TRENCH BACKFILL FOR STORM WATER PIPES**  
SCALE: N.T.S.

**GENERAL NOTES FOR BACKFILL**

TABLE 1 BEDDING AND INITIAL BACKFILL (BELOW PIPE TO 12" ABOVE PIPE)	TABLE 2 FINAL BACKFILL (GREATER THAN 12" ABOVE PIPE)
<p>ALL BEDDING AND INITIAL BACKFILL SHALL CONSIST OF GRANULAR MATERIAL CONSISTING OF EITHER NATURAL SAND OR SANDY GRAVEL, OR MATERIAL PRODUCED BY CRUSHING OF NATURAL STONE OR GRAVEL. SEWER LINES:</p> <ol style="list-style-type: none"> <li>EXCAVATIONS &lt;20FT. DEEP AND ABOVE WATER TABLE, USE MATERIAL MEETING THE FOLLOWING CRITERIA. MEETING REQUIREMENTS OF ASTM D2487 FOR: SP GP SW GW SP-SM GP-GM SW-SM GW-GM AND IN ADDITION: PASSING 1/2" SIEVE - 100% PASSING #4 SIEVE - 30% MINIMUM PLASTI INDEX (PI) - NP TO 10 MAX.</li> <li>IN DEEP EXCAVATIONS (&gt;20') OR BELOW WATER TABLE, USE CRUSHED STONE OR CRUSHED GRAVEL MEETING GRADATION OF: A. CONCRETE COARSE AGGREGATE; TxDOT ITEM 421; GRADE 2, 3, OR 4.</li> </ol> <p>FOR ALL UTILITIES:</p> <ol style="list-style-type: none"> <li>FOR PIPE DIAMETER EQUAL TO OR SMALLER THAN 16", USE 4" MINIMUM BEDDING UNDER PIPE.</li> <li>FOR PIPE DIAMETER GREATER THAN 16", USE 6" MINIMUM BEDDING UNDER PIPE.</li> </ol>	<p><b>UNPAVED AREAS</b></p> <p>A. FOR 12" ABOVE PIPE TO BOTTOM OF TOPSOIL BACKFILL SHALL BE APPROVED SELECT MATERIAL FROM THE EXCAVATION; OR IMPORTED MATERIAL; ALL TO BE FREE OF ROCKS, DEBRIS, OR ANY CLUMPS GREATER THAN 2" IN DIAMETER; LOOSE LIFTS TO BE PLACED 10" MAX. COMPACT MATERIAL TO 95% STD. PROCTOR (D698). MOISTURE TO BE ADJUSTED TO ± 3% OF OPTIMUM.</p> <p>B. TOPSOIL TO BE PROVIDED EQUAL OR BETTER THAN EXISTING; AND MATCH EXISTING TOPSOIL DEPTH. (4" MIN.) COMPACT TO FIX CONFLICT TO EXISTING ADJACENT TOPSOIL. (CONSTRUCTION TO BE PERFORMED BY "DOUBLE DITCH" METHOD TOP SOIL SALVAGED TO BE PLACED ON TOP)</p> <p><b>PAVED AREAS</b></p> <p>A. FOR 12" ABOVE PIPE TO 3' BELOW BOTTOM OF ROAD BASE: BACKFILL SHALL BE SELECT MATERIAL FROM EXCAVATION OR TO BE IMPORTED MATERIAL AND SHALL MEET THE FOLLOWING: LL&lt;35 PI 8-20 NO CLUMPS &gt; 2" DIA. MOISTURE 0 TO +3% COMPACT 95% D698 STD PROCTOR LOOSE LIFTS OF 10" MAX OR IF SELECT MATERIAL FROM EXCAVATION DOES NOT MEET REQUIREMENTS, THEN USE CEMENT STABILIZED SAND SEE TABLE 2-ITEM B</p> <p>B. FOR 3' BELOW BOTTOM OF ROAD BASE TO BOTTOM OF ROAD BASE: BACKFILL SHALL BE CEMENT STABILIZED SAND AND SHALL MEET THE FOLLOWING REQUIREMENTS: SAND GRADATION: % PASSING 1/2" 100% #4 55-100 #10 40-100 #40 25-100 #200 10-20 PI NP-10</p> <p>2 SACKS CEMENT/C.Y. OF SAND. COMPACT TO 95% OF D698. MOISTURE TO BE ADJUSTED TO (+/-2%) OF OPTIMUM.</p>



**7 COVER BACK**

**ROADWAY MANHOLE RING & COVER NOTES**

- MANHOLE RING & COVER SHALL BE EAST JORDAN V 1168 ASSEMBLY AND FOR SCHOOL ZONE SHALL BE EAST JORDAN BOLTED-IN 1168 ASSEMBLY LOAD RATING HEAVY DUTY.
- THESE DETAILS SHOW GREY-IRON CASTINGS, FILLETED AT ANGLES WITH SHARP AND PERFECT ARISES.
- CASTING SHALL BE TRUE TO PATTERN, FORM, AND DIMENSIONS, FREE FROM CRACKS, SPONGINESS AND BLOWHOLES.
- MACHINE SURFACES TO YIELD FIT WHICH WILL NOT RATTLE WITH PASSING TRAFFIC LOAD.
- TRAFFIC SHALL BE RESTRICTED FROM M.H. FOR 36 HOURS AFTER PLACEMENT OF RING.
- RING AND COVER SHALL BE DIPPED IN COAL TAR OR ASPHALT.
- OTHER CASTING PATTERNS FOR RING & COVERS MAY BE SUBMITTED FOR APPROVAL PROVIDED THE PLAN PATTERN OF COVER IS THE SAME AS SHOWN ON THIS SHEET AND PROVIDED OTHER CASTINGS SHALL BE COMPLETELY INTERCHANGEABLE, I.E., THE COVERS OF THIS SHEET SHALL FIT PROPERLY, THE RINGS OF OTHER CASTING DETAILS AND THE COVERS OF OTHER CASTINGS SHALL FIT THE RINGS OF THIS SHEET.
- MINIMUM WEIGHTS OF FINISHED CASTINGS: THE COVER = 160 POUNDS, THE RING = 180 POUNDS.
- POLYETHYLENE MANHOLE ADJUSTMENT RINGS SHALL BE DESIGNED TO SUPPORT HS 20 TRAFFIC LOADING.

CONSULTANT'S SHEET  
PROJECT NO. 21107-01B

2/04/25

INTERNATIONAL CONSULTING ENGINEERS  
265 S. SARATOGA BLVD.  
CORPUS CHRISTI, TX 78407  
PHONE: 361.826.5805  
FAX: 361.826.5806  
T.B.P.E. FIRM REGISTRATION # - 10937

**City of Kingsville**  
KINGSVILLE, KLEBERG COUNTY, TEXAS

**CITY OF KINGSVILLE GLO SW PROJECT 10  
(N. ARMSTRONG ST.) STORM WATER IMPROVEMENTS**

STORM WATER DETAILS I

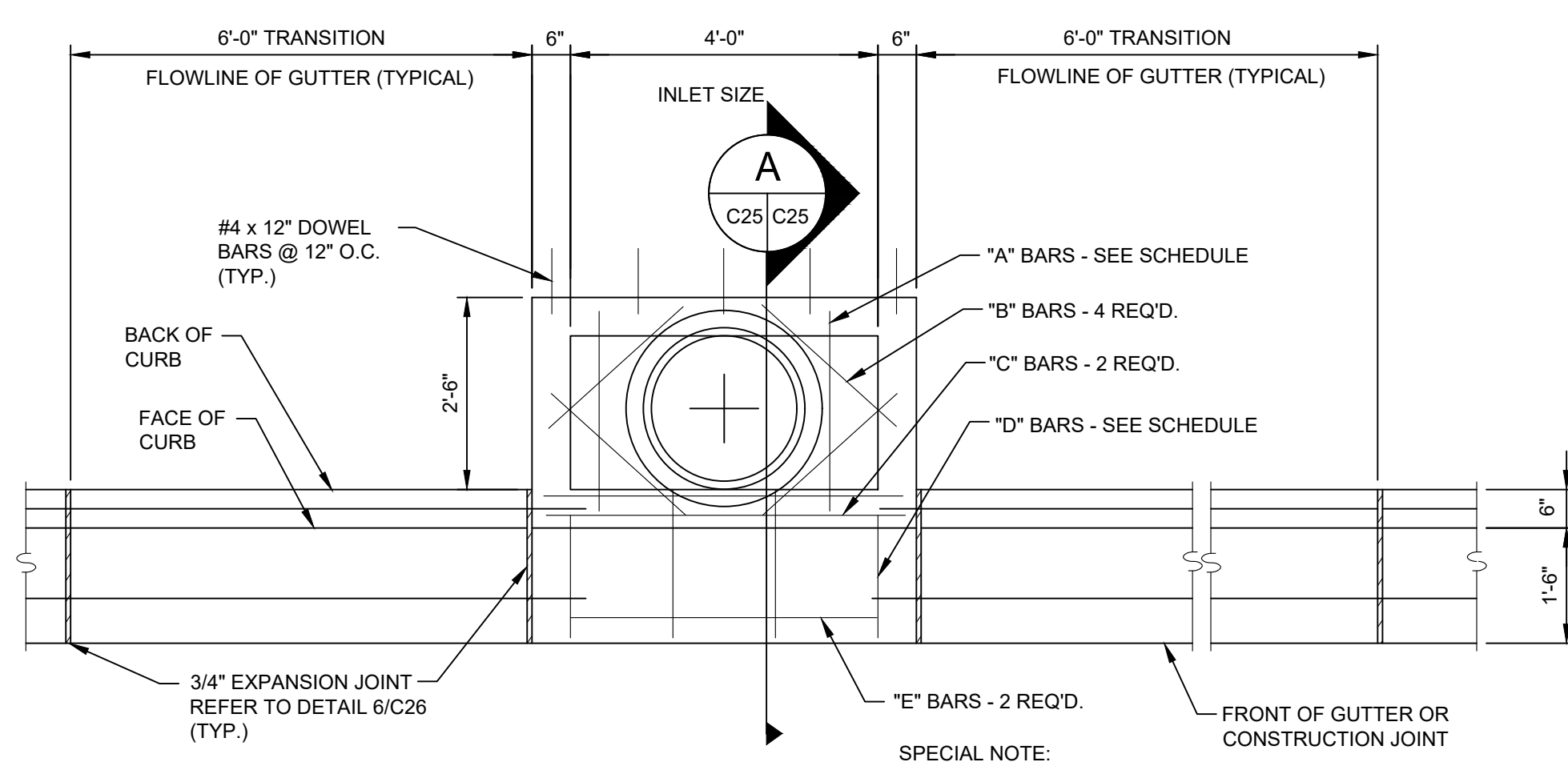
DRAWING NO. **C24**

SHEET 25 of 56

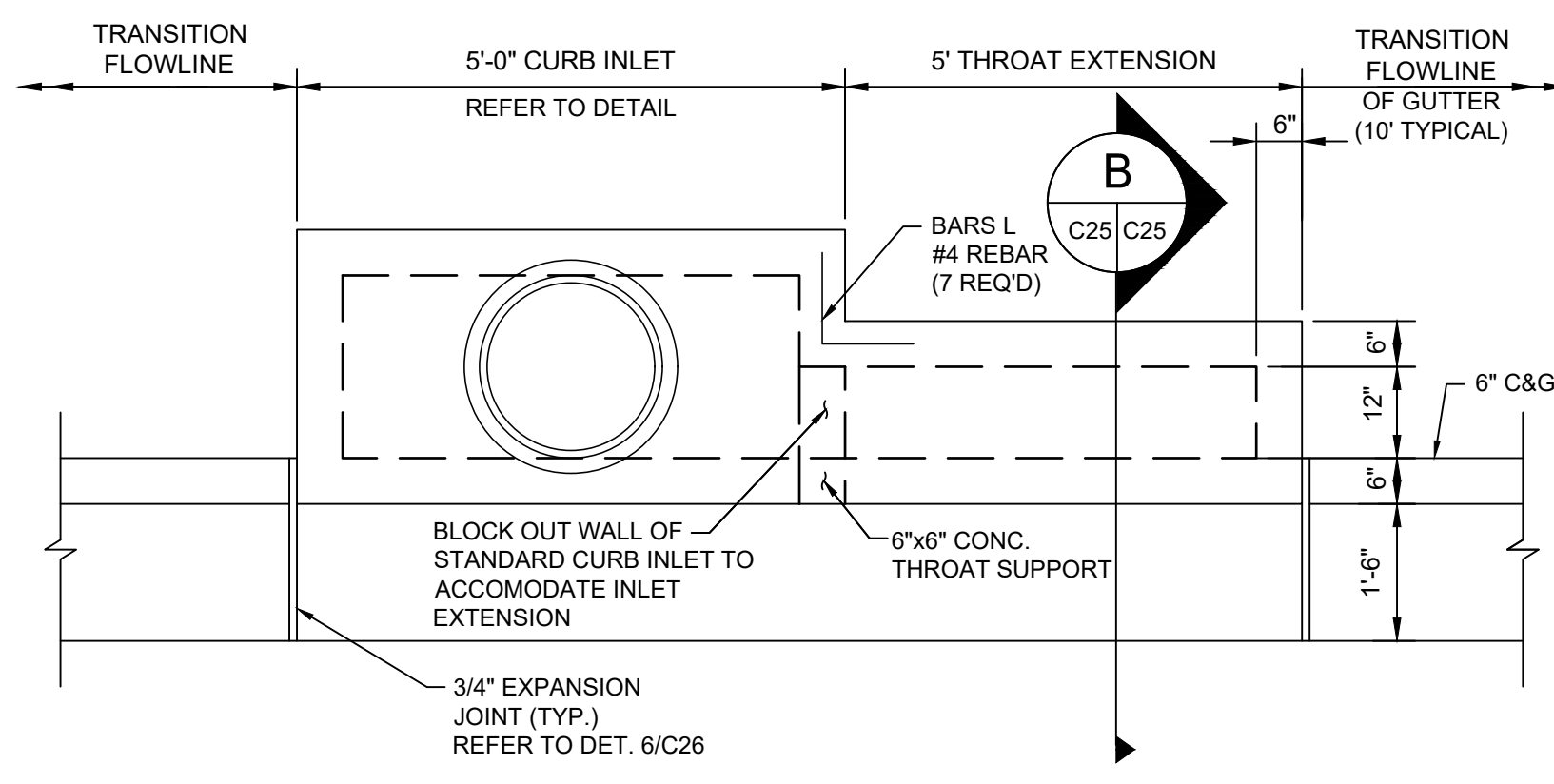
REVISION NO.	DATE	DESCRIPTION
REV. 1	JCC	BY
02-04-25	DATE	DESCRIPTION



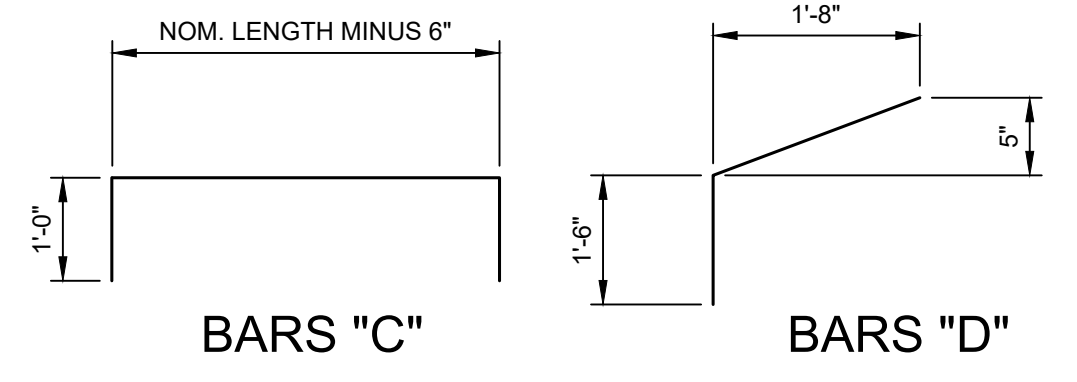
FILE NAME: I:\Projects\2021\City of Kingsville\GLO-SW-LOC10\_SW\_N\_ARMSTRONG\_STA1-Drawings\2 - Drawings\2 - Civil\06-C8-COCC-Storm Water\dwg\_LAYOUT\_NAME\_2\_PLOTTED\_Tuesday, February 04, 2025 11:12 AM USER: martin



1 PLAN OF 5' CURB INLET  
SCALE: N.T.S.



2 CURB INLET THROAT EXTENSION PLAN  
SCALE: N.T.S.

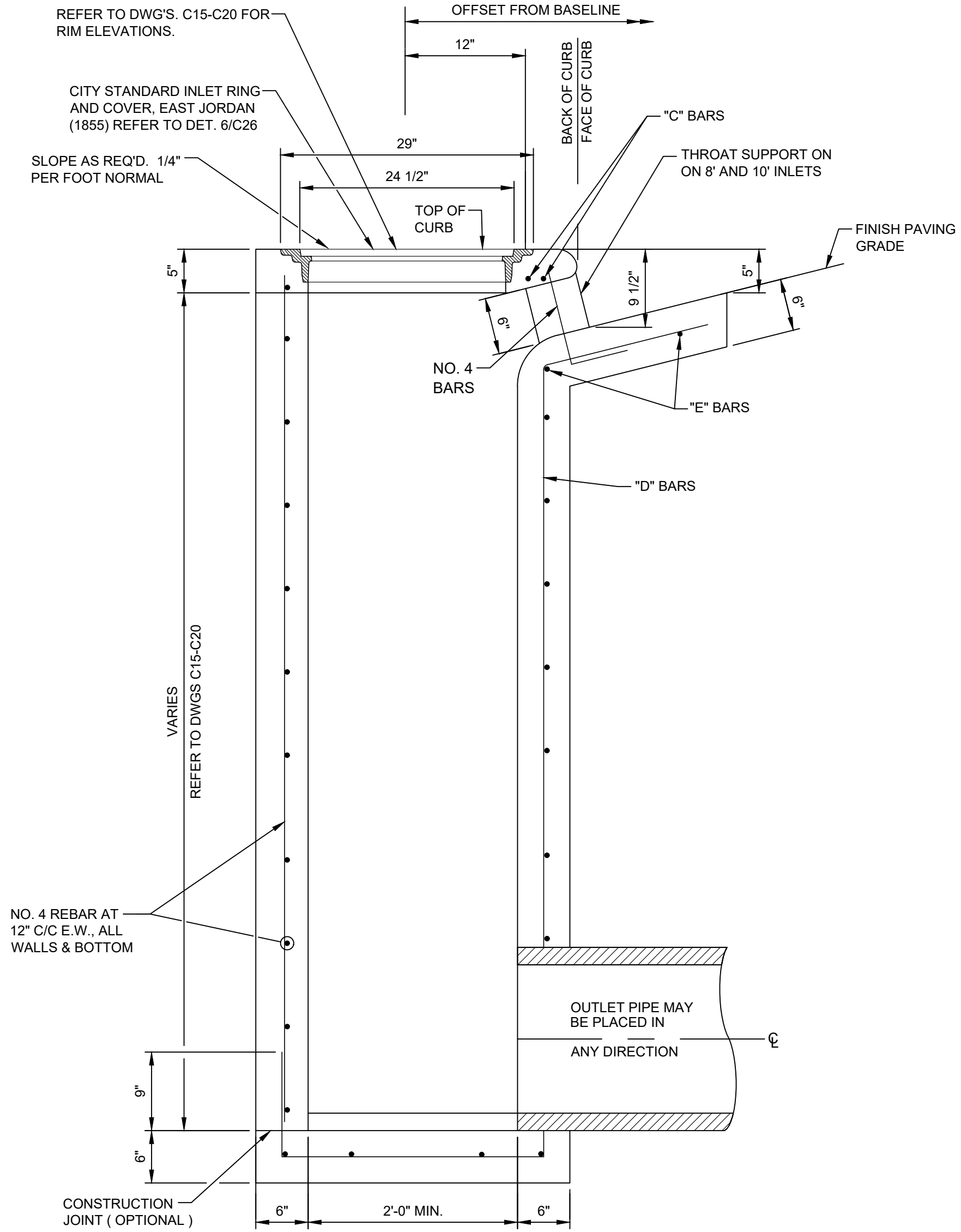


BARS "C"  
BARS "D"  
\*\* THROAT OPENINGS SHALL HAVE A 6" X 6" CONCRETE SUPPORT PLACED AT MID-THROAT  
\* NOMINAL LENGTH OF INLET SHALL BE DESIGNATED AS THE CLEAR WIDTH OPENING.

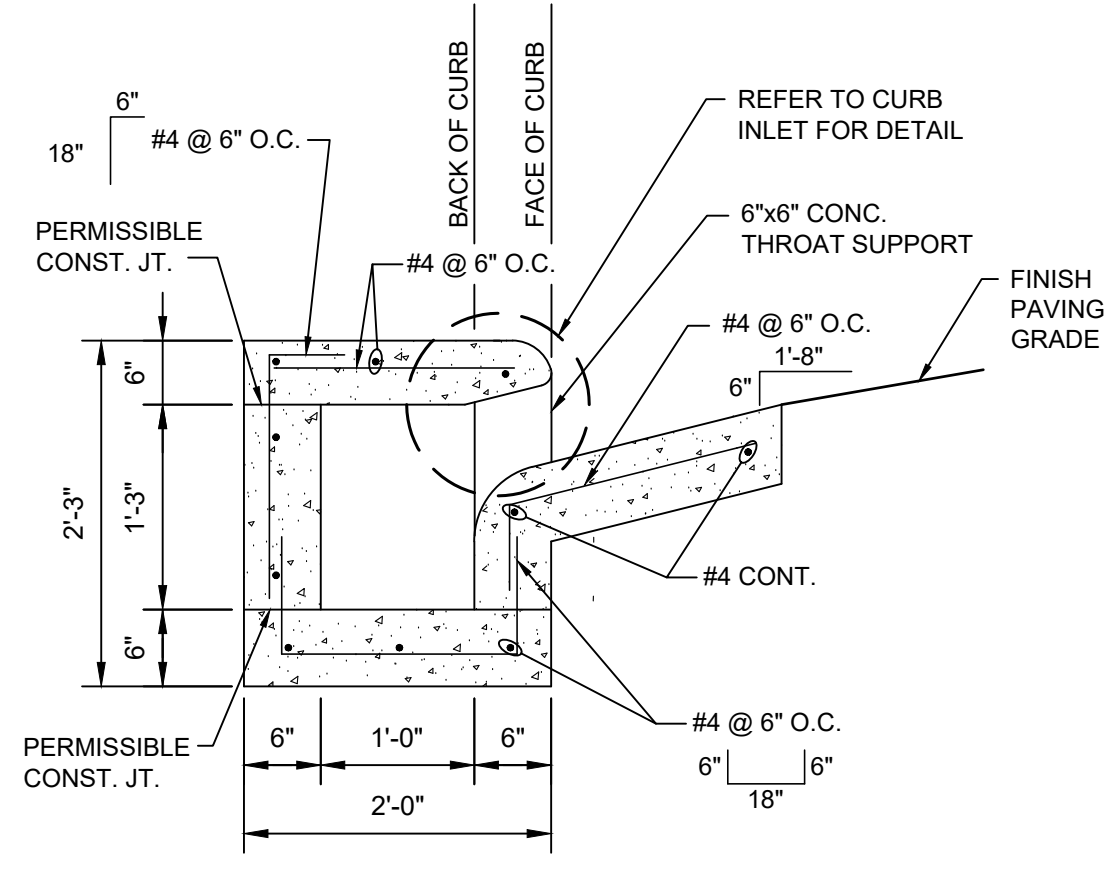
STANDARD CURB INLET STEEL SCHEDULE  
ALL BARS No. 4 PREFORMED  
NO. REQ'D./LENGTH

INLET SIZE (Nom. Length)	"A" BARS	"B" BARS	"C" BARS	"D" BARS	"E" BARS
4'	2/a	4/1'-10"	2/5'-6"	4/3'-2"	2/4'-6"
5'	2/a	4/3'-2"	2/6'-6"	4/3'-2"	2/5'-6"
6'	4/a	4/4'-0"	2/7'-6"	6/3'-2"	2/6'-6"
8'	4/a	4/4'-0"	2/9'-6"	6/3'-2"	2/8'-6"
10'	6/a	4/4'-0"	2/11'-6"	7/3'-2"	2/10'-6"

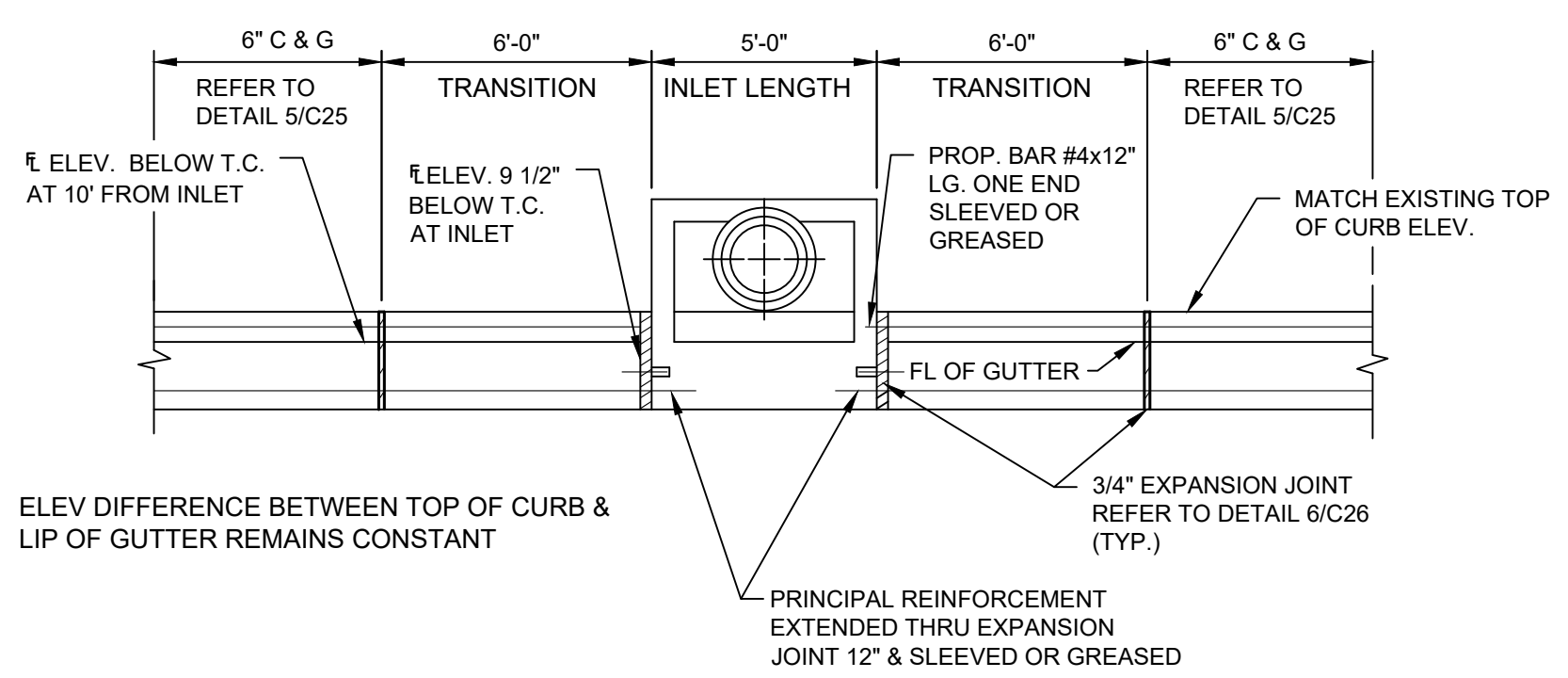
BENDING STRAIGHT STRAIGHT SEE DET. SEE DET. STRAIGHT  
a = O.D. + 8", 2'-8" MIN. MAX. PIPE I.D. = 48 INCHES



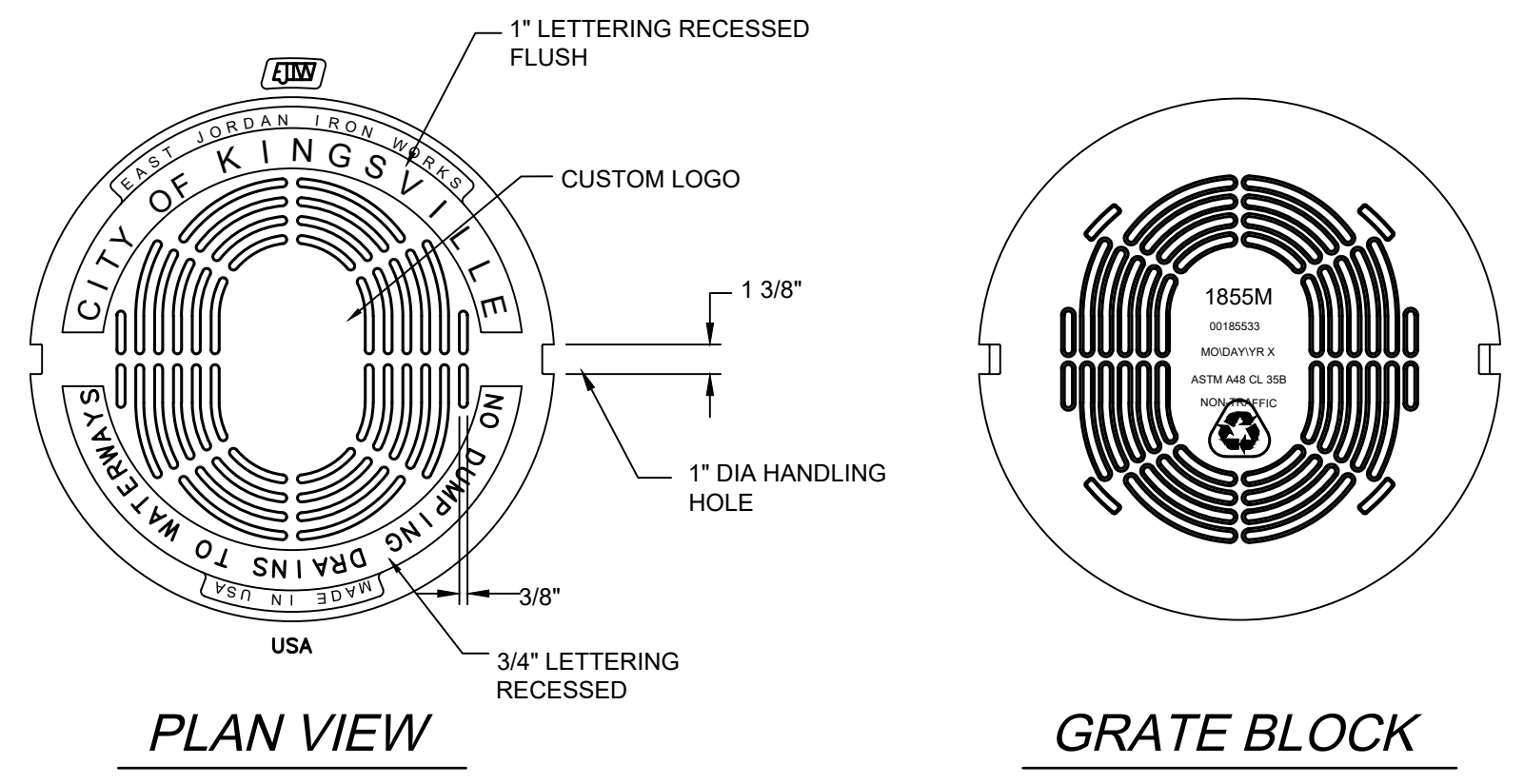
3 CURB INLET SECTION A  
SCALE: N.T.S.



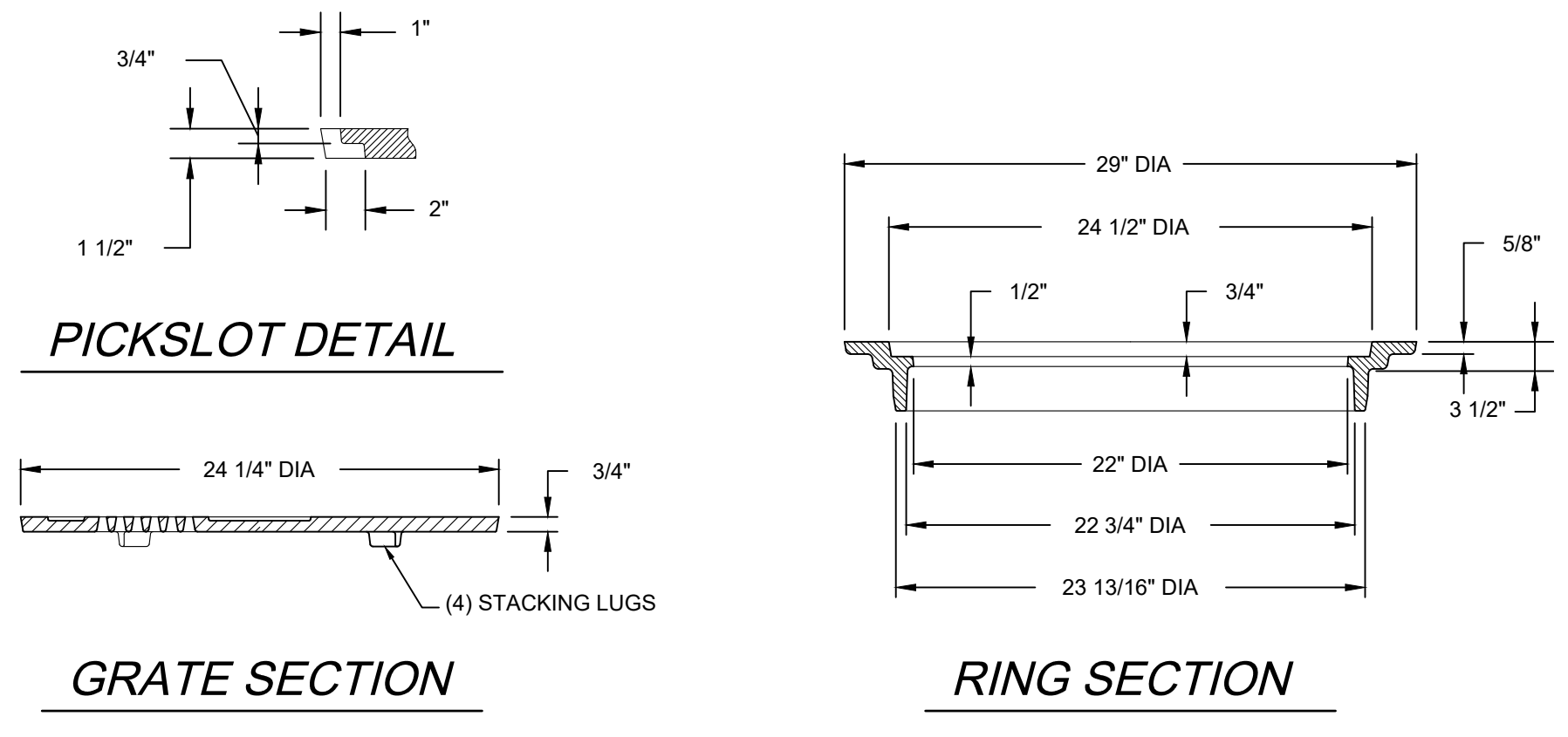
4 CURB INLET THROAT EXTENSION SECTION B  
SCALE: N.T.S.



5 FLOWLINE TRANSITION AT INLET FOR 6" CURB AND GUTTER  
SCALE: N.T.S.



PLAN VIEW  
GRATE BLOCK

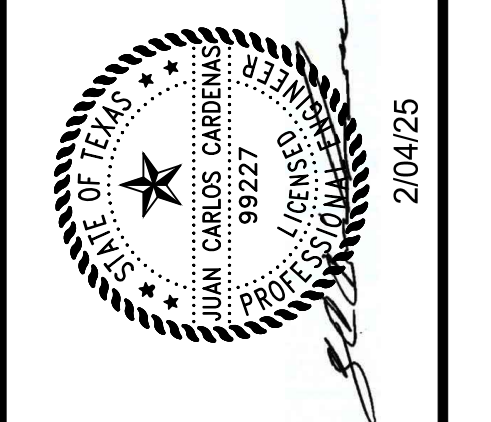


PICKSLOT DETAIL  
GRATE SECTION  
RING SECTION

6 STANDARD INLET AND SIDEWALK MANHOLE RING & COVER CASTING DETAILS  
SCALE: N.T.S.

- INLET AND SIDEWALK MANHOLE RING & COVER NOTES
- MANHOLE RING & COVER SHALL BE EAST JORDAN MANHOLE ASSEMBLY FOR LOAD RATING NON-TRAFFIC.
  - THESE DETAILS SHOW GREY-IRON CASTINGS, FILLETED AT ANGLES WITH SHARP AND PERFECT ARISING.
  - CASTING SHALL BE TRUE TO PATTERN, FORM, AND DIMENSIONS, FREE FROM CRACKS, SPONGINESS AND BLOWHOLES.
  - MACHINE SURFACES TO YIELD FIT WHICH WILL NOT RATTLE WITH PASSING TRAFFIC LOAD.
  - TRAFFIC SHALL BE RESTRICTED FROM M.H. FOR 36 HOURS AFTER PLACEMENT OF RING.
  - RING AND COVER SHALL BE DIPPED IN COAL TAR OR ASPHALT.
  - OTHER CASTING PATTERNS FOR RING & COVERS MAY BE SUBMITTED FOR APPROVAL PROVIDED THE PLAN PATTERN OF COVER IS THE SAME AS SHOWN ON THIS SHEET AND PROVIDED OTHER CASTINGS SHALL BE COMPLETELY INTERCHANGEABLE, I.E., THE COVERS OF THIS SHEET SHALL FIT PROPERLY, THE RINGS OF OTHER CASTING DETAILS AND THE COVERS OF OTHER CASTINGS SHALL FIT THE RINGS OF THIS SHEET.
  - MINIMUM WEIGHTS OF FINISHED CASTINGS: THE COVER = 60 POUNDS, THE RING = 135 POUNDS.

CONSULTANT'S SHEET  
PROJECT NO. 21107-01B



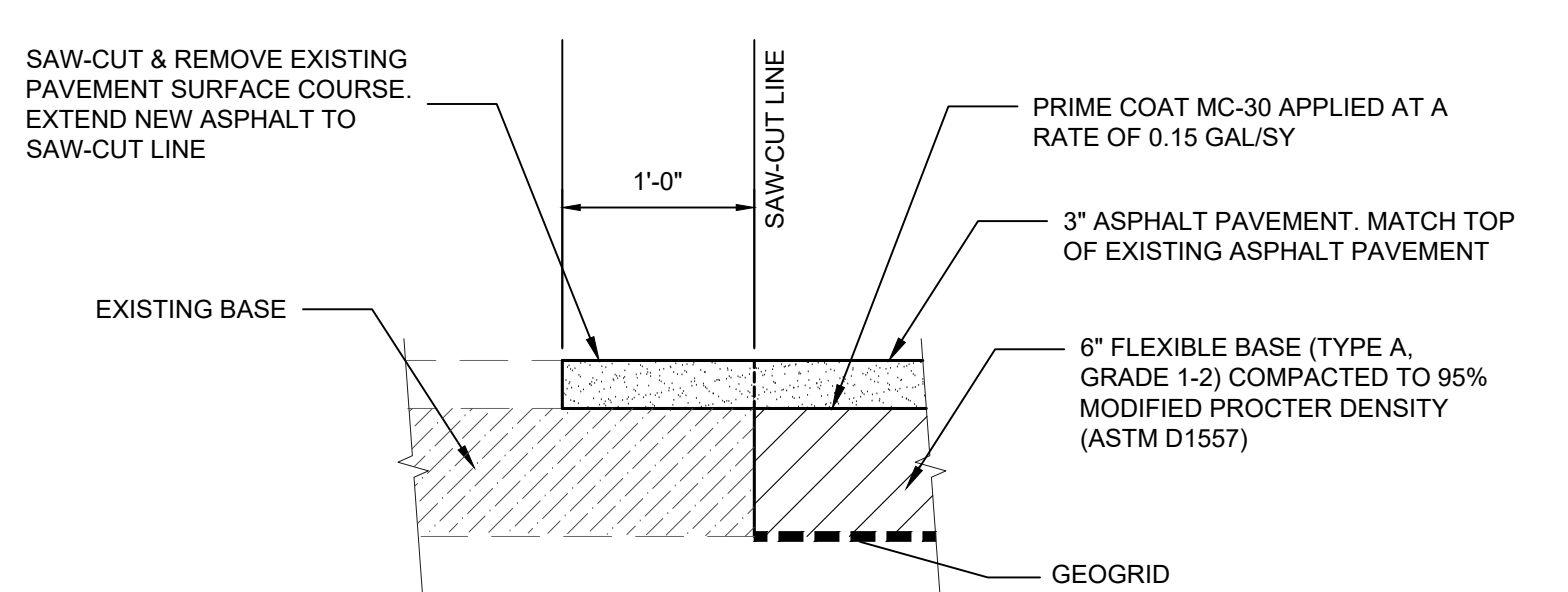
CITY OF KINGSVILLE GLO SW PROJECT 10  
(N. ARMSTRONG ST.) STORM WATER IMPROVEMENTS  
KINGSVILLE, KLEBERG COUNTY, TEXAS

STORM WATER DETAILS II

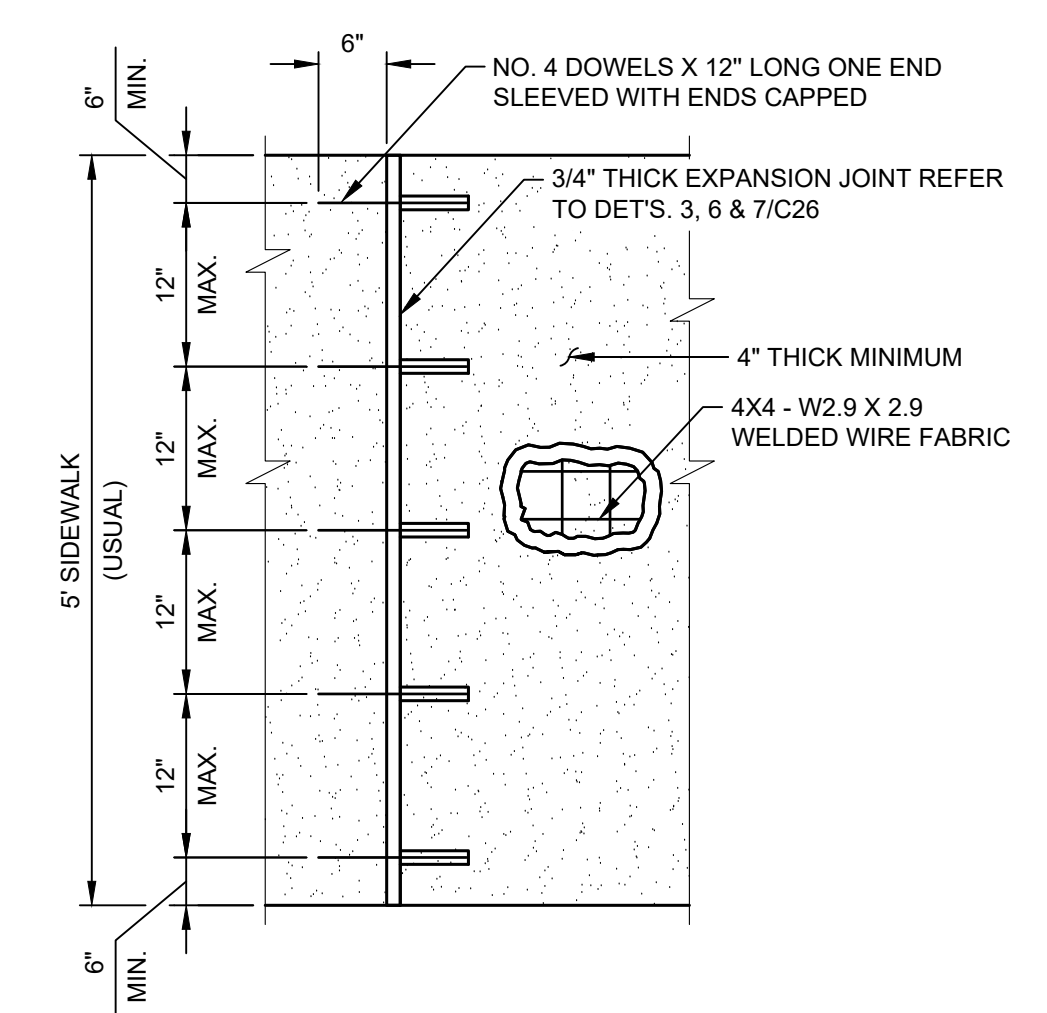
DRAWING NO.  
**C25**  
SHEET 26 of 56



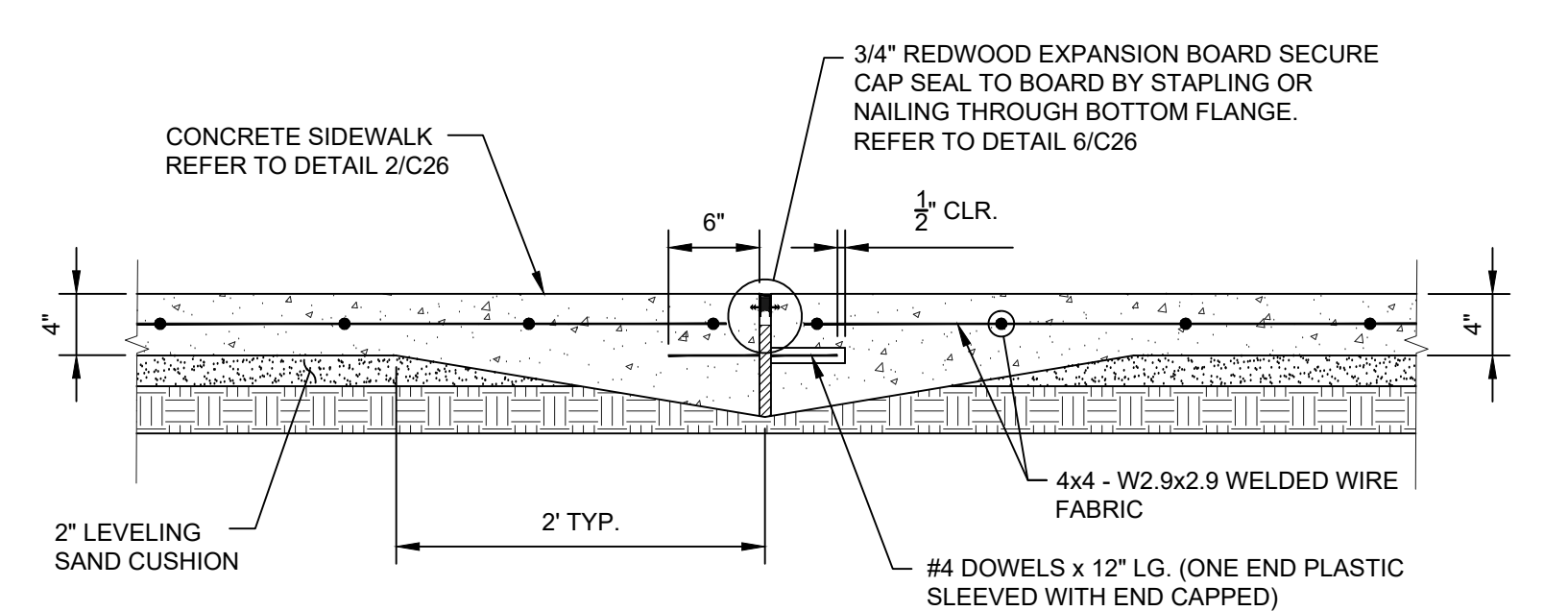
FILE NAME: I:\Projects\2021\Cities of Kingsville\90-100-10 sw n armstrong st\1-drawings\2 - civil\C6-C6-C6-COCC-Storm Water Leveg LAYOUT NAME: 3 (2) - PLOTTED: Tuesday, February 04, 2025 - 11:21 am USER: martin



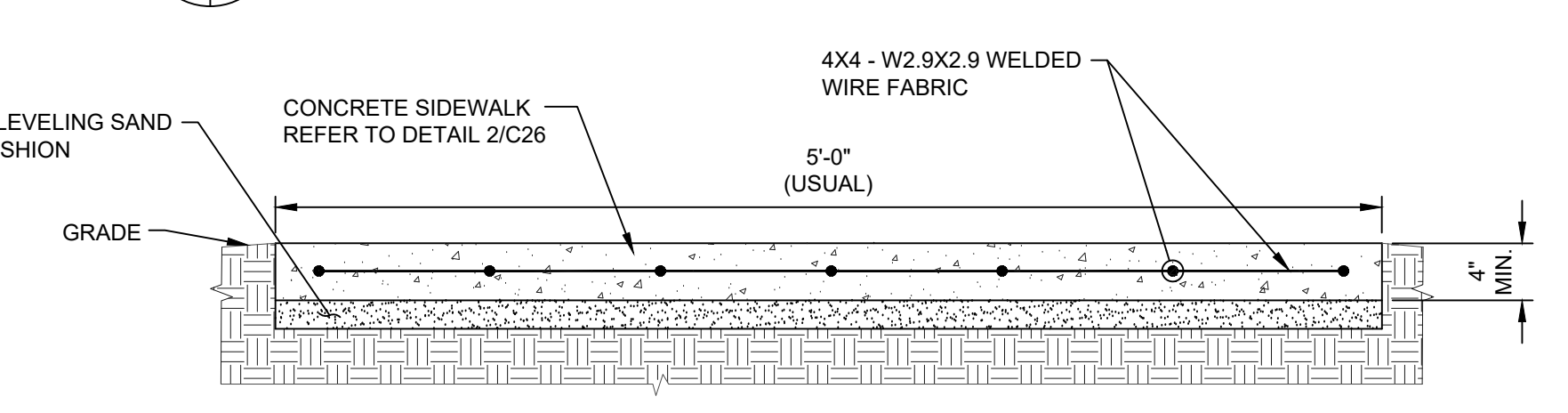
**1 ASPHALT REPAIR DETAIL**  
SCALE: N.T.S.



**2 TYPICAL CONCRETE SIDEWALK PLAN**  
SCALE: N.T.S.



**3 TYPICAL SIDEWALK SECTION**  
SCALE: N.T.S.



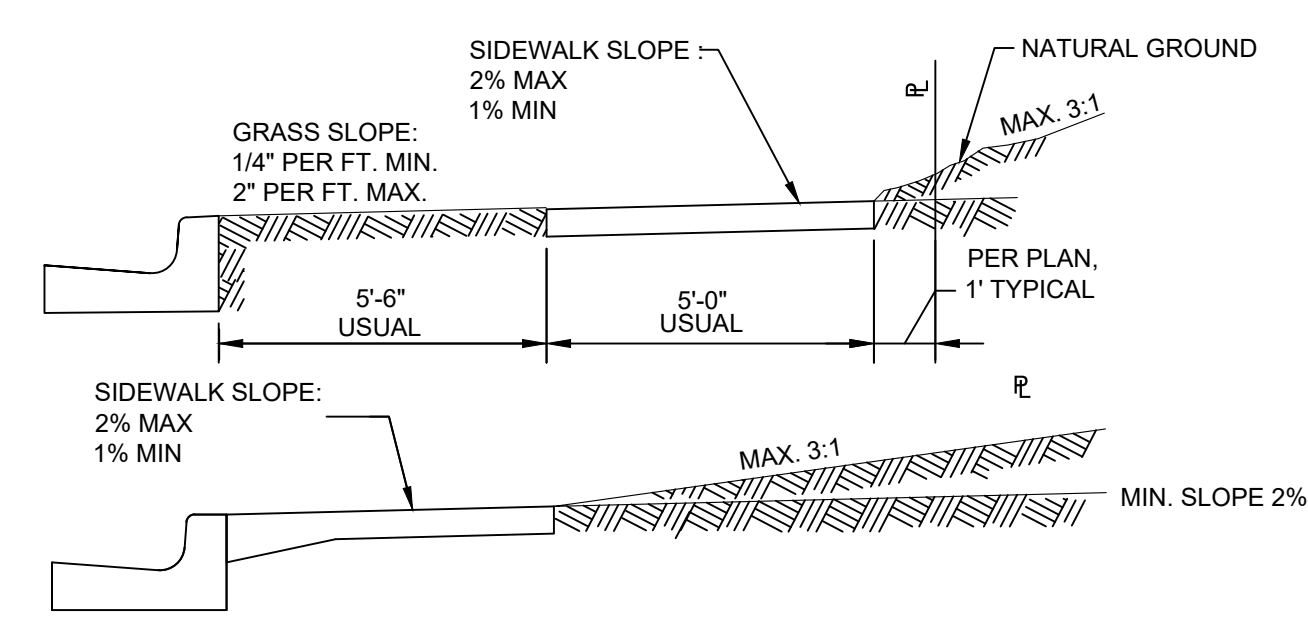
**4 TYPICAL SIDEWALK SECTION**  
SCALE: N.T.S.

**SIDEWALK NOTES:**

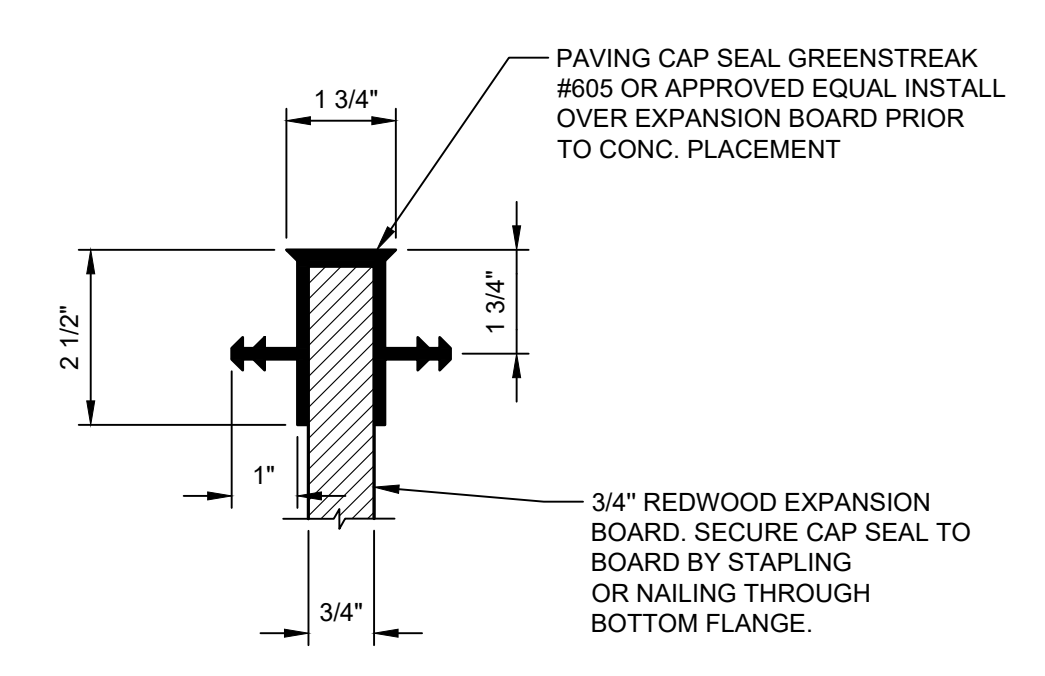
- ALL CONCRETE CLASS "A" 3,000 P.S.I. ALL STEEL GRADE 60  $f_y = 60,000$  P.S.I., MIN.
- TRANSVERSE GROOVES 1/8" WIDE BY 1/2" DEEP SHALL BE MADE IN ALL CURB & GUTTER AND HEADER CURB AT 10' O.C. (MAXIMUM).
- 3/4" EXPANSION JOINTS SHALL BE PROVIDED AT 39'-0" CENTERS\* (MAXIMUM). REINFORCEMENT SHALL CONSIST OF THE NO. 4 DOWELS X 15" LONG SPACED AS INDICATED. THE NO. 4 DOWEL SHALL BE EXTENDED ACROSS THE JOINT 9 INCHES AND THIS END SHALL BE SLEEVED WITH ENDS CAPPED.
- FINAL ACCEPTANCE OF THE PROJECT SHALL BE CONTINGENT UPON THE CONTRACTOR PROVIDING THE CITY WITH A CERTIFICATION LETTER, FROM THE TEXAS DEPARTMENT OF LICENSING AND REGULATION (TDLR), POLICY AND STANDARDS DIVISION, ARCHITECTURAL BARRIERS SECTION, THAT ALL ADA (AMERICANS WITH DISABILITIES ACT) HANDICAP IMPROVEMENTS, AS CONSTRUCTED, COMPLY WITH THE TEXAS ACCESSIBILITY STANDARDS (TAS) OF THE ARCHITECTURAL BARRIERS ACT ARTICLE 9102, TEXAS CIVIL STATUTES.
- AT LEAST 1' OF THE AREA BEHIND THE CURB SHALL BE BACKFILLED AND COMPACTED (MINIMUM 95% STANDARD PROCTOR DENSITY) IN ACCORDANCE WITH THE SPECIFICATIONS AS SOON AS POSSIBLE AND NO LATER THAN 48 HOURS OF REMOVAL OF FORMS (OR SOONER IN THE EVENT OF INCLEMENT WEATHER) IN ORDER TO PROTECT THE MOISTURE OF THE PAVEMENT STRUCTURE.
- ALL EXPANSION JOINTS TO BE 3/4" REDWOOD EXPANSION BOARD, UNLESS OTHERWISE NOTED.
- CONCRETE TO RECEIVE BROOM FINISH.
- TRANSVERSE CONTRACTION JOINTS 1/8" WIDE BY 1/2" DEEP SHALL BE CUT IN ALL SIDEWALKS AT 5'-0" INTERVALS (TYPICAL).

**CONCRETE CURB & GUTTER NOTES:**

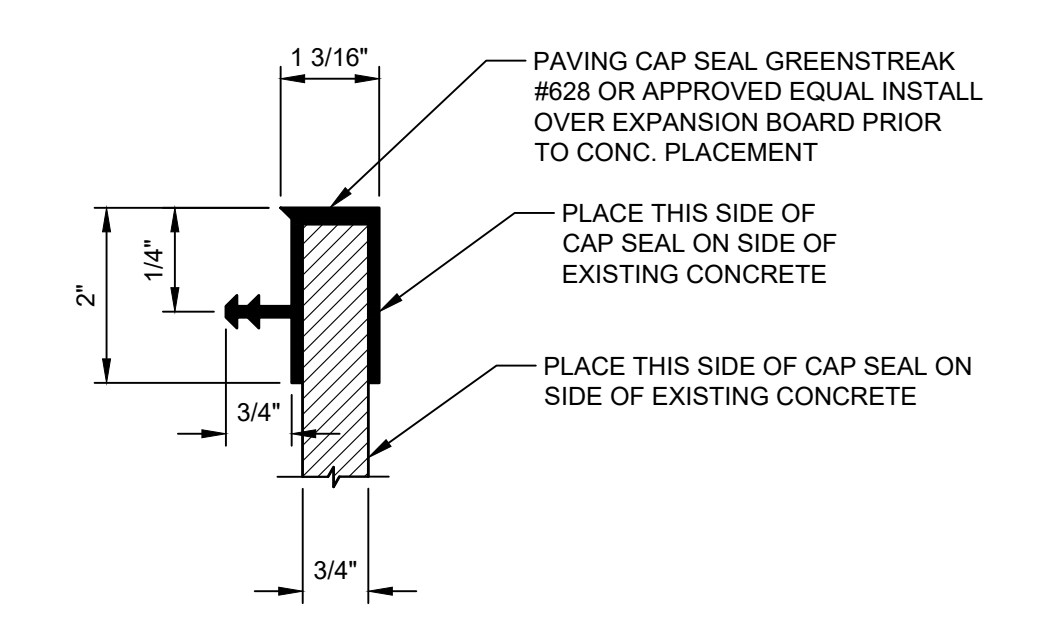
- EXPANSION AND CONSTRUCTION JOINTS OF THE 6" SEPARATE CURB SHALL MATCH THOSE OF THE TIED SIDEWALK AND/OR CONCRETE PAVEMENT, AND SHALL NOT EXCEED 39' O.C. (MAX) SPACING.
- TRANSVERSE GROOVES 1/8" WIDE BY 1/2" DEEP SHALL BE MADE AT 10' O.C. (MAXIMUM).
- WHERE NEW CURB JOINS EXISTING CURB AND GUTTER, TRANSITION THE LAST 10' OF THE NEW TO MATCH THE OLD IN SHAPE.
- EXPANSION JOINTS ON ALL SIDEWALK AND CURB SHALL BE REDWOOD. ALL JOINTS IN 6" SEPARATE CURB SHALL BE SEALED WITH JOINT SEALANT.
- ALL CONCRETE CLASS "A" 3,000 PSI. ALL STEEL GRADE 60  $f_y = 60,000$  PSI, MIN.
- BASE, SUB-BASE, AND SUBGRADE THICKNESS UNDER CONCRETE CURB AND GUTTER TO BE AS SPECIFIED IN PAVEMENT DETAILS PER LOADING DESIGN CONDITIONS. BOTH THE TREATED SUBGRADE AND FLEXIBLE BASE OR EQUIVALENT SHALL EXTEND A MINIMUM OF 1' BEYOND THE BACK OF CURB.
- AT LEAST 1' OF THE AREA BEHIND THE CURB SHALL BE BACKFILLED AND COMPACTED (MINIMUM 95% STD PROCTOR DENSITY) IN ACCORDANCE WITH THE SPECIFICATIONS AS SOON AS POSSIBLE AND NO LATER THAN 48 HOURS OF REMOVAL OF FORMS (OR SOONER IN THE EVENT OF INCLEMENT WEATHER) IN ORDER TO PROTECT THE MOISTURE OF THE PAVEMENT STRUCTURE.



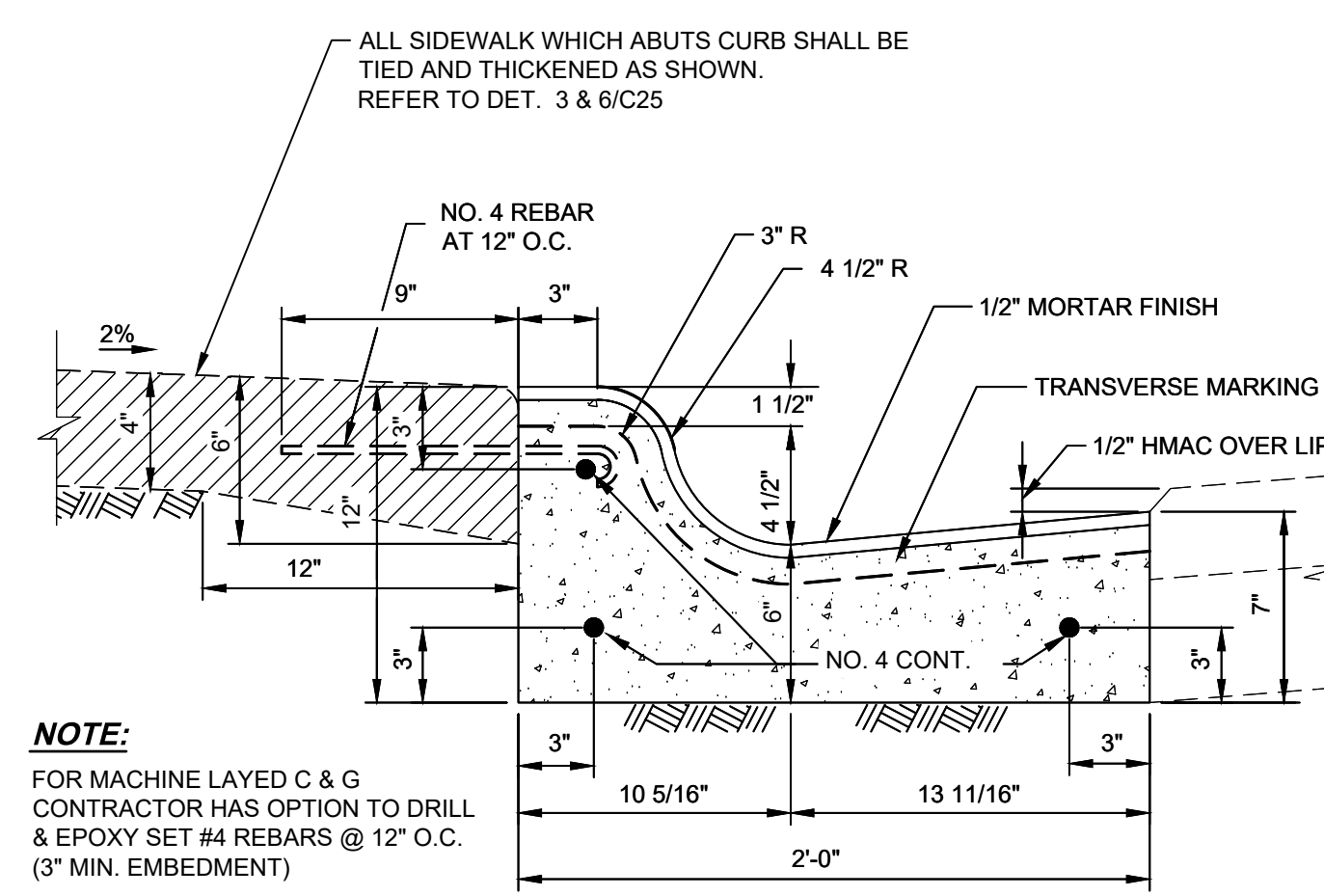
**5 SURFACE & SIDEWALK SLOPE BEHIND CURB DETAIL**  
SCALE: N.T.S.



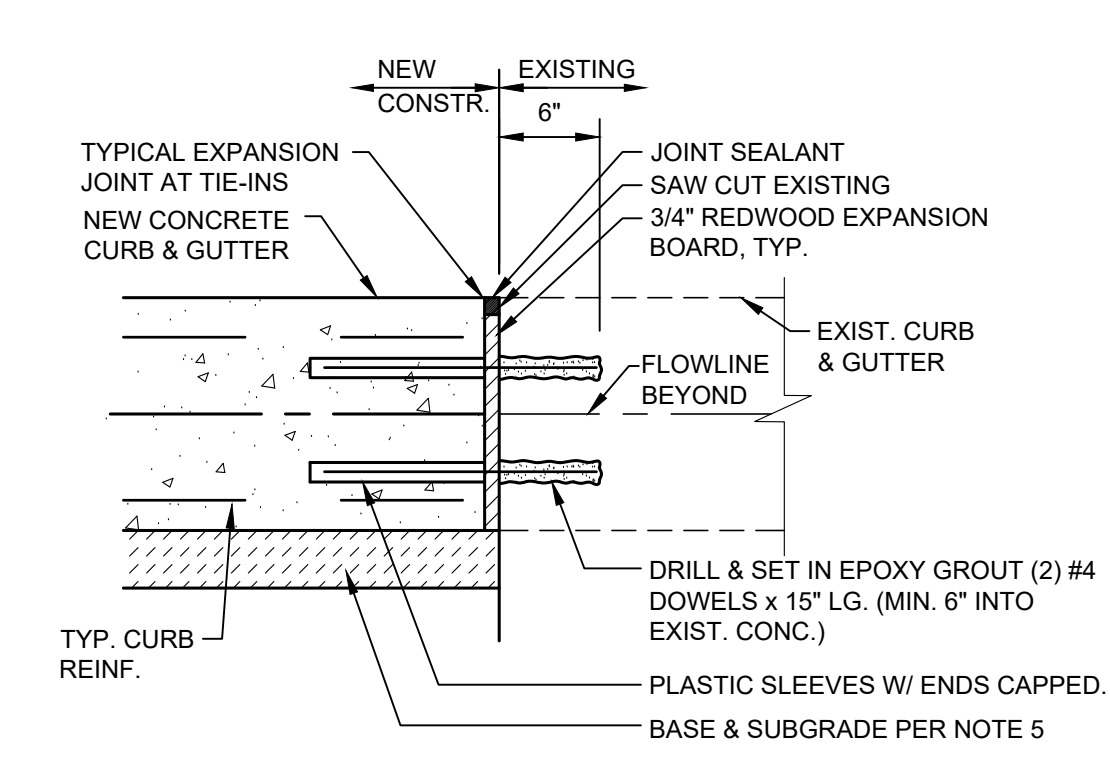
**6 CAP SEAL DETAIL NEW CONC. TO NEW CONC.**  
SCALE: N.T.S.



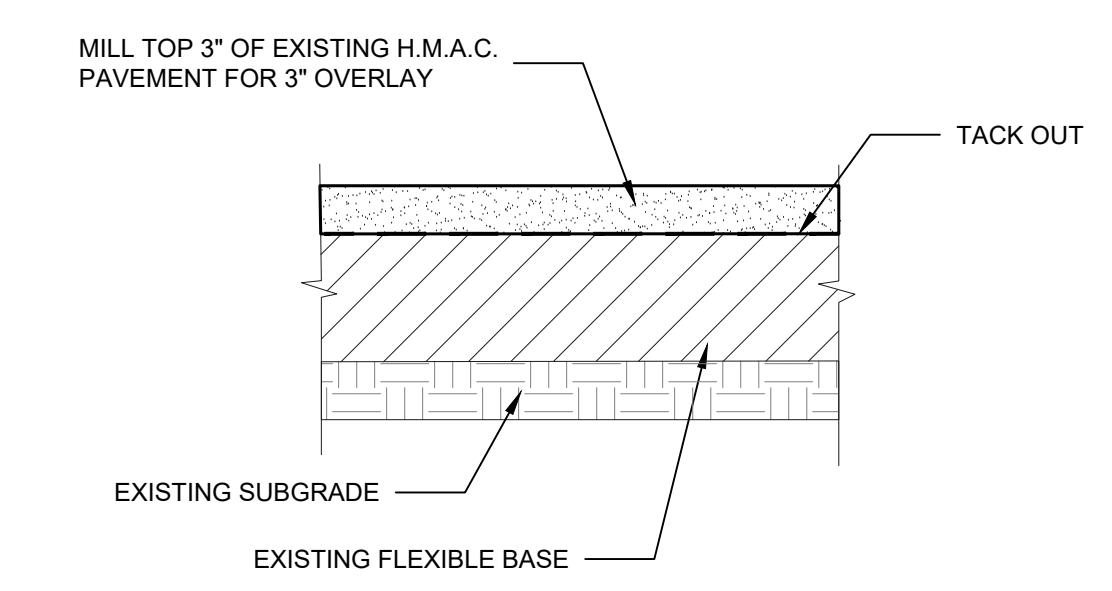
**7 CAP SEAL DETAIL NEW CONC. TO EXIST CONC.**  
SCALE: N.T.S.



**8 6" CONCRETE CURB & GUTTER DETAIL**  
SCALE: N.T.S.



**9 CURB AND GUTTER TIE IN**  
SCALE: N.T.S.



**10 MILL AND OVERLAY DETAIL**  
SCALE: N.T.S.

CONSULTANT'S SHEET PROJECT NO. 21107-01B			2/04/25
INTERNATIONAL CONSULTING ENGINEERS 262 S. SARTOIGA BLVD. CAMPUS CHRISTI, TX. 78417 PHONE: 361.926.5905 FAX: 361.926.5906 T.B.P.E. FIRM REGISTRATION # - 10937			
DESCRIPTION	REVISION NO.	DATE	BY
CITY OF KINGSVILLE GLO SW PROJECT 10 (N. ARMSTRONG ST.) STORM WATER IMPROVEMENTS KINGSVILLE, KLEBERG COUNTY, TEXAS			
<b>PAYMENT, SIDEWALK, CURB AND GUTTER DETAILS</b>			
REV. 1	JCC	02-04-25	
DRAWING NO. <b>C26</b>		SHEET <b>27</b> of <b>56</b>	

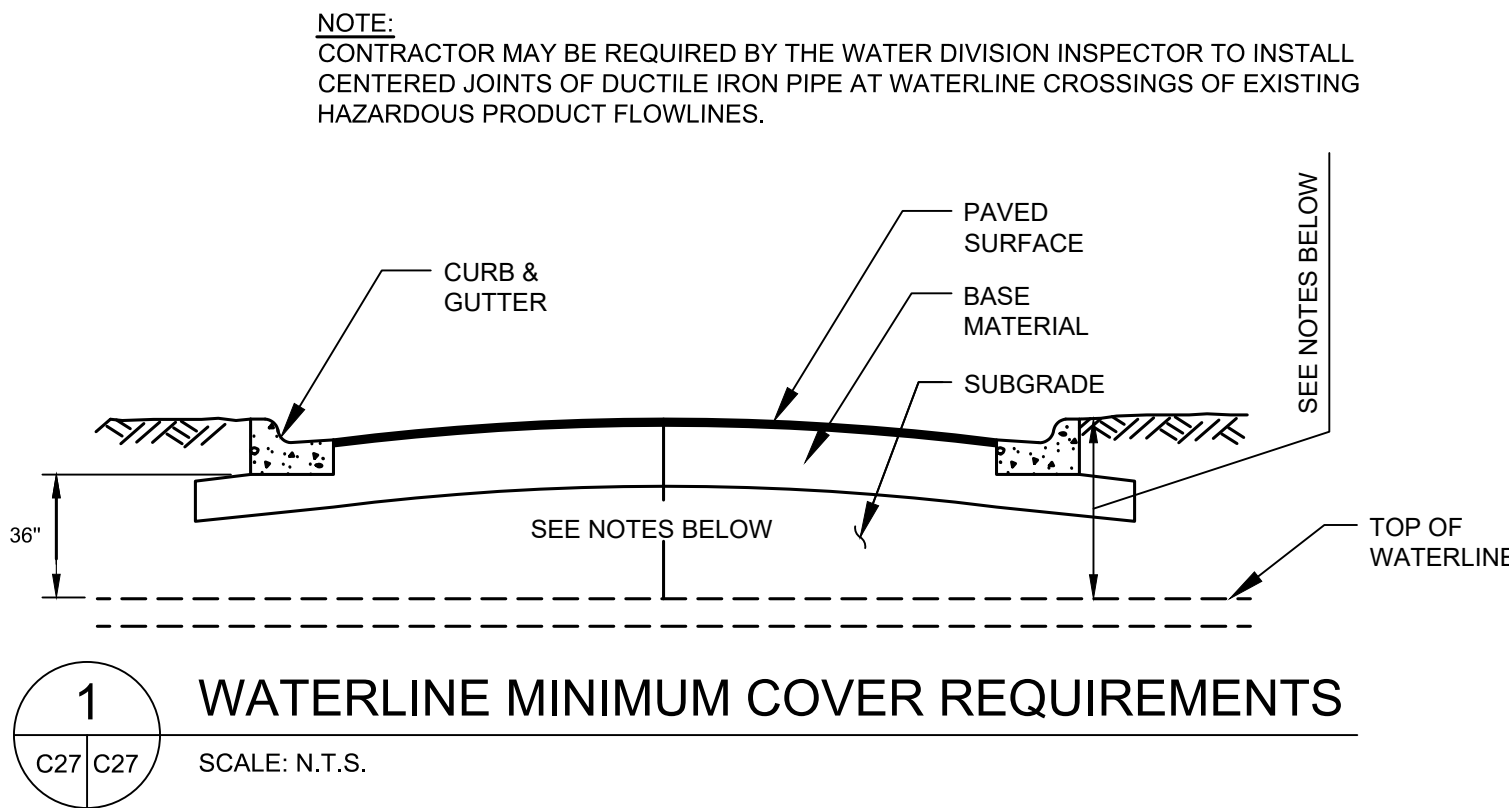


## WATER DISTRIBUTION SYSTEM GENERAL NOTES

- PROPOSED WATER DISTRIBUTION SYSTEM SHALL BE INSTALLED IN ACCORDANCE WITH CITY OF PORTLAND PUBLIC WORKS DEPARTMENT STANDARDS.
- THE CITY RESERVES THE RIGHT TO ACCEPT THE SYSTEM FOR OPERATION AT ANY TIME, BUT THE DATE OF OFFICIAL ACCEPTANCE OF THE SYSTEM WILL BE UPON COMPLETION OF THE PROJECT AND SATISFACTORY TEST RESULTS.
- THE EXISTING SYSTEM SHALL REMAIN IN SERVICE UNTIL THE PROPOSED SYSTEM IS PUT INTO SERVICE. THE CONTRACTOR SHALL PROTECT THE EXISTING SYSTEM UNTIL IT IS TAKEN OUT OF SERVICE.
- THE CONTRACTOR SHALL FURNISH ALL MATERIAL, LABOR AND EQUIPMENT REQUIRED TO INSTALL THE PROPOSED SYSTEM.
- TESTING OF LINES (STERILIZATION AND PRESSURED) SHALL BE DONE BY THE CONTRACTOR UNDER THE SUPERVISION OF THE CITY. WATER FOR FILLING THE NEW WATER LINE AND PERFORMING TESTS WILL BE FURNISHED TO THE CONTRACTOR BY THE CITY THROUGH A STANDARD WATER CONSTRUCTION METER CONNECTION. STANDARD WATER CONSTRUCTION METER AND GAUGE WILL BE SUPPLIED BY THE CITY AFTER THE CONTRACTOR HAS PAID ALL APPLICABLE FEES FOR THE WATER CONSTRUCTION METER. ALL WATER DISCHARGE MUST BE DECHLORINATED IN ACCORDANCE WITH TNRC & NPDES REGULATIONS.
- THE CONTRACTOR SHALL RECOVER AND STOCK-PILE AT A LOCATION DESIGNATED BY THE PUBLIC WORKS INSPECTOR, ALL FIRE HYDRANTS, VALVES, AND FITTINGS THAT ARE TAKEN OUT OF SERVICE. THESE MATERIALS MAY BE SALVAGED BY THE CITY. HOWEVER, ALL ITEMS NOT CLAIMED BY THE CITY PRIOR TO THE FINAL INSPECTION SHALL BE DISPOSED OF BY THE CONTRACTOR.
- THE CONTRACTOR SHALL BEAR ALL COST ASSOCIATED WITH WATERLINE REPAIRS (WHICH RESULT FROM DAMAGE CAUSED BY THE CONTRACTOR) UPON COMPLETION OF PROJECTS. ALL WATER LINES SHALL BE FREE OF ALL PATCHES AND SPLICES.
- ALL PHYSICAL TIES OF THE PROPOSED SYSTEM INTO THE EXISTING WATERLINE SHALL BE RECONNECTED AND BE MADE UNDER SUPERVISION OF THE PUBLIC WORKS INSPECTOR. THE CONTRACTOR SHALL FURNISH ALL MATERIALS AND ALL EQUIPMENT THAT IS REQUIRED TO MAKE TIE-INS. CITY CREWS WILL MAKE TAPS ON CITY MAINS ARRANGED THROUGH CITY INSPECTOR (72 HOUR NOTIFICATION).
- ALL EXISTING SERVICE CONNECTIONS TIED ONTO THE EXISTING WATERLINE SHALL BE RECONNECTED BY THE CONTRACTOR, INCLUDING RELOCATING EXISTING WATER METERS. IT SHALL BE THE CONTRACTOR'S SOLE RESPONSIBILITY TO NOTIFY AND COORDINATE WITH THE CITY INSPECTOR SAID RECONNECTIONS / RELOCATIONS IN ADVANCE OF CONSTRUCTION TO AVOID DELAYS. (NO SEPARATE COSTS)
- MINOR LENGTH OF DUCTILE IRON PIPE ADJACENT TO FITTINGS MAY BE REQUIRED AS DIRECTED BY THE CITY INSPECTOR BASED ON CONDITIONS ENCOUNTERED IN THE FIELD. THE CONTRACTOR SHALL USE D.I.P. AS DIRECTED AND SHALL BE PAID AT THE UNIT PRICE BID FOR THE APPROPRIATE SIZE WATERLINE. A MINOR LENGTH IS DEFINED AS A SINGLE LOCATION REQUIRING THE USE OF TWO JOINTS OR LESS.
- MINOR ADJUSTMENTS IN THE LOCATIONS OF FITTINGS, VALVES, FIRE HYDRANTS, ETC. CAN BE ANTICIPATED. THE CONTRACTOR SHALL MAKE SAID MINOR ADJUSTMENTS AS DIRECTED BY THE ENGINEER AND/OR WATER DIVISION INSPECTOR AT NO INCREASE OF CONTRACT PRICE. WATER DIVISION WILL BE NOTIFIED PRIOR TO ALL CHANGES.
- ALL NIPPLES BETWEEN FITTINGS AND VALVES ALONG MAINS SHALL BE DUCTILE IRON.
- ALL DUCTILE IRON PIPES, VALVES, AND FITTINGS SHALL BE WRAPPED WITH (2) THICKNESSES OF 8 MIL. POLYETHYLENE AND SHALL BE RESTRAINED WITH "MEGALUG", MECHANICAL JOINT RESTRAINT OR ENGINEER APPROVED EQUAL AT ALL FITTINGS.
- ALL OFFSETS ARE TO BE DUCTILE IRON PIPE ASSEMBLIES LOCKED TOGETHER BY RETAINER GLANDS. DUCTILE IRON BENDS SHALL BE UTILIZED FOR ANY CHANGES IN ALIGNMENT OR GRADE.
- IF A WATER LINE IS TO BE ABANDONED, THE CONTRACTOR WILL FILL WITH CONTROLLED LOW STRENGTH MATERIAL, "DARAFILL" BRAND OR ENGINEER APPROVED EQUAL, VALVES WILL BE REMOVED OR FILLED AS REQUIRED BY CITY INSPECTOR.
- CONTRACTOR SHALL COORDINATE WITH CITY INSPECTOR AND NOTIFY ALL AFFECTED CUSTOMERS 24 HOURS PRIOR TO KILLOUT OF EXISTING WATER SYSTEM.
- CITY OF PORTLAND PUBLIC WORKS DEPARTMENT STANDARDS CALL FOR MAXIMUM 48" COVER ON WATERLINES. WHEN DEPTHS EXCEED 48" COVER TO AVOID OBSTRUCTION, THE USES OF BENDS COULD BE REQUIRED.
- CONTRACTOR SHALL KEEP ALL EXISTING VALVES ACCESSIBLE DURING ALL PHASES OF CONSTRUCTION.
- ALL NEW WATER MAINS SHALL BE INSTALLED SO THAT PIPE IDENTIFICATION MARKINGS ARE LOCATED ON THE TOP OF THE PIPE.
- ALL SERVICE LINES UNDER PAVEMENT SHALL BE ONE INCH, INSIDE DIAMETER, MINIMUM.

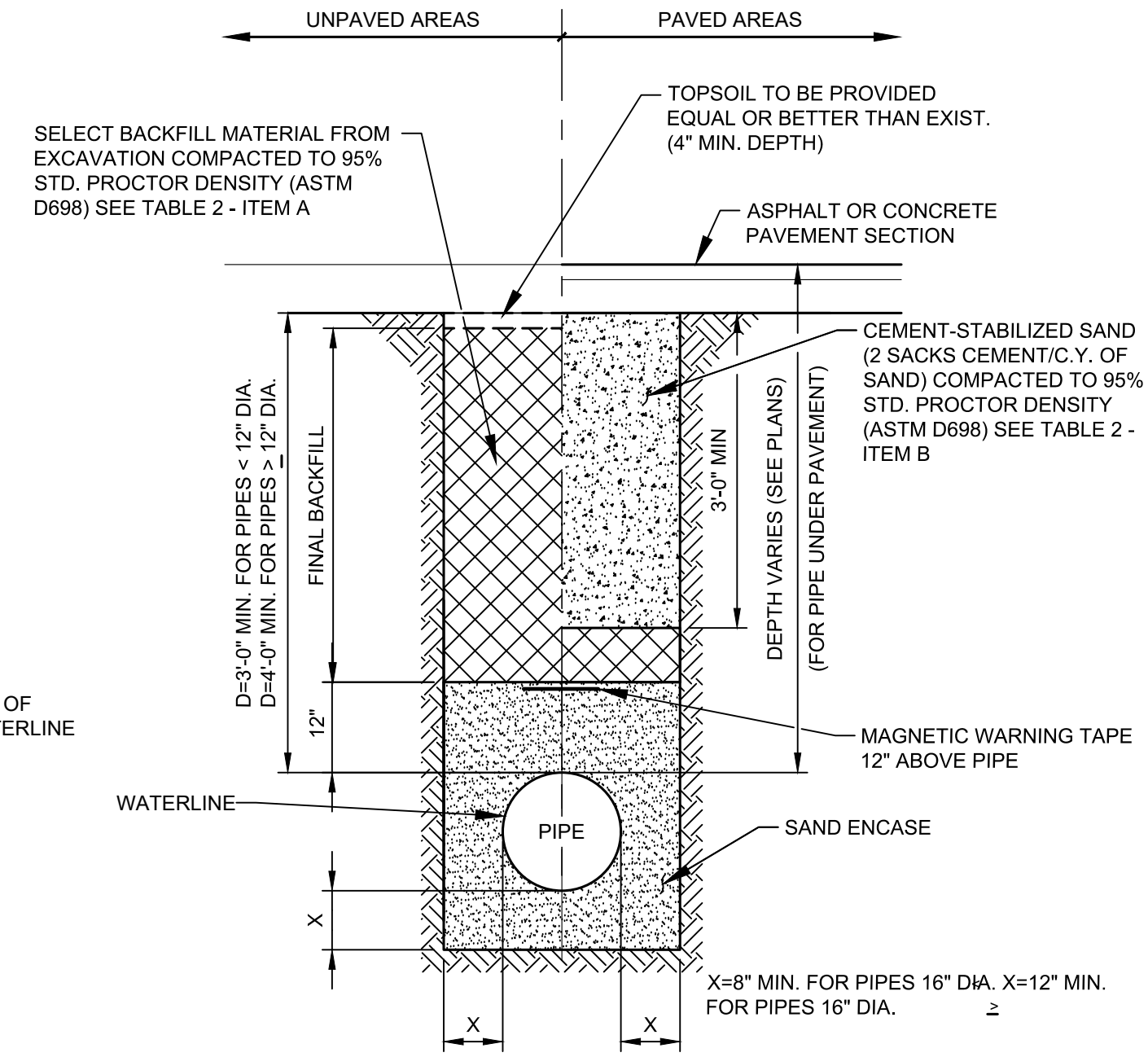
## SEPARATION OF WATER AND WASTEWATER LINES

- THE SEPARATION OF WATER AND WASTEWATER LINES AND THE MATERIAL USED SHALL BE IN ACCORDANCE WITH THE "RULES & REGULATIONS FOR PUBLIC WATER SYSTEMS" OF TEXAS NATURAL RESOURCE CONSERVATION COMMISSION AND THE CITY WATER DETAILS.
- WHENEVER WATER & WASTEWATER LINES CROSS, ONE JOINT OF C900 PVC WATER LINE SHALL BE CENTERED OVER THE WASTEWATER LINE IN ADDITION TO ANY REQUIREMENTS AS DICTATED BY ITEM 1 ABOVE.



### NOTES:

- ALL MAINS IN THE STREET SHALL HAVE A MINIMUM OF 36" OF COVER AND BE 12" MINIMUM BELOW SUBGRADE AT ALL POINTS AND HAVE VALVE CLEARANCES IN ACCORDANCE WITH THE VALVE DETAIL.
- ALL TRANSMISSION MAINS (12" DIAMETER & ABOVE) IN THE STREET SHALL HAVE 48" OF COVER AT ALL POINTS.
- ALL MAINS NOT UNDER THE STREET SHALL HAVE A MINIMUM OF 36" OF COVER AT ALL POINTS.



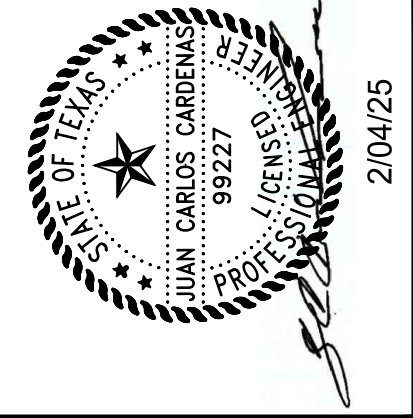
### NOTE: (CONCRETE PAVEMENT ONLY)

CONTRACTOR HAS OPTION TO USE CEMENT STABILIZED SAND OR BACKFILL WITH SELECT BACKFILL MATERIAL

## GENERAL NOTES FOR BACKFILL

TABLE 1 BEDDING AND INITIAL BACKFILL (BELOW PIPE TO 12" ABOVE PIPE)	TABLE 2 FINAL BACKFILL (GREATER THAN 12" ABOVE PIPE)										
<p>ALL BEDDING AND INITIAL BACKFILL SHALL CONSIST OF THE FOLLOWING OR REFER TO DESIGN ENGINEER REQUIREMENTS: GRANULAR BACKFILL CONSISTING OF EITHER NATURAL SAND OR SANDY GRAVEL, OR MATERIAL PRODUCED BY CRUSHING OF NATURAL STONE OR GRAVEL.</p> <p>WATER LINES:</p> <ol style="list-style-type: none"> <li>EXCAVATIONS &lt;20FT. DEEP AND ABOVE WATER TABLE, USE MATERIAL MEETING THE FOLLOWING CRITERIA.           <p>MEETING REQUIREMENTS OF ASTM D2487 FOR:</p> <p>SP GP SW GW SP-SM GP-GM SW-SM GW-GM</p> <p>AND IN ADDITION:</p> <p>PASSING 1/2" SIEVE - 100% PASSING #4 SIEVE - 30% MINIMUM PLASTICITY INDEX (PI) - NP TO 10 MAX.</p> </li> <li>IN DEEP EXCAVATIONS (&gt;20) OR BELOW WATER TABLE, USE CRUSHED STONE OR CRUSHED GRAVEL MEETING GRADATION OF:           <p>A. CONCRETE COARSE AGGREGATE; TXDOT ITEM 421; GRADE 2, 3, OR 4.</p> </li> </ol>	<p><b>UNPAVED AREAS</b></p> <p>A. FOR 12" ABOVE PIPE TO BOTTOM OF TOPSOIL BACKFILL SHALL BE APPROVED SELECT MATERIAL FROM THE EXCAVATION; OR IMPORTED MATERIAL; ALL TO BE FREE OF ROCKS, DEBRIS, OR ANY CLUMPS GREATER THAN 2" IN DIAMETER; LOOSE LIFTS TO BE PLACED 10" MAX.</p> <p>COMPACT MATERIAL TO 95% STD. PROCTOR (D698).</p> <p>MOISTURE TO BE ADJUSTED TO ± 3% OF OPTIMUM.</p> <p>B. TOPSOIL TO BE PROVIDED EQUAL OR BETTER THAN EXISTING; AND MATCH EXISTING TOPSOIL DEPTH. COMPACT TO FIX CONFLICT TO EXISTING ADJACENT TOPSOIL. (CONSTRUCTION TO BE PERFORMED BY "DOUBLE DITCH" METHOD TOP SOIL SALVAGED TO BE PLACED ON TOP)</p>										
	<p><b>PAVED AREAS</b></p> <p>A. FOR 12" ABOVE PIPE TO 3' BELOW BOTTOM OF ROAD BASE: BACKFILL SHALL BE SELECT MATERIAL FROM EXCAVATION OR TO BE IMPORTED MATERIAL IN EITHER CASE, ALL MATERIAL SHALL MEET THE FOLLOWING:</p> <p>LL&lt;35 PI 8-20 NO CLUMPS &gt; 2" DIA. MOISTURE 0 TO +3% COMPACT 95% D698 STD PROCTOR</p> <p>LOOSE LIFTS OF 10" MAX OR IF SELECT MATERIAL FROM EXCAVATION DOES NOT MEET REQUIREMENTS, THEN USE CEMENT STABILIZED SAND SEE TABLE 2-ITEM B BELOW (OR PER DESIGN ENGINEER)</p> <p>B. FOR 3' BELOW BOTTOM OF ROAD BASE TO BOTTOM OF ROAD BASE:</p> <p>BACKFILL SHALL BE CEMENT STABILIZED SAND (2 SK/C.Y.) AND SHALL MEET THE FOLLOWING REQUIREMENTS:</p> <p><u>SAND GRADATION:</u> % PASSING</p> <table border="1"> <tr> <td>#4</td> <td>55-100</td> </tr> <tr> <td>#10</td> <td>40-100</td> </tr> <tr> <td>#40</td> <td>25-100</td> </tr> <tr> <td>#200</td> <td>10-20</td> </tr> <tr> <td>PI</td> <td>NP-10</td> </tr> </table> <p>(OR AS PER DESIGN ENGINEER)</p> <p>COMPACT TO 95% OF D698. MOISTURE TO BE ADJUSTED TO (+/-2%) OF OPTIMUM.</p>	#4	55-100	#10	40-100	#40	25-100	#200	10-20	PI	NP-10
#4	55-100										
#10	40-100										
#40	25-100										
#200	10-20										
PI	NP-10										

CONSULTANT'S SHEET  
PROJECT NO. 21107-01B



2/04/25



CITY OF KINGSVILLE GLO SW PROJECT 10  
(N. ARMSTRONG ST.) STORM WATER IMPROVEMENTS  
KINGSVILLE, KLEBERG COUNTY, TEXAS

WATER STANDARD DETAILS I

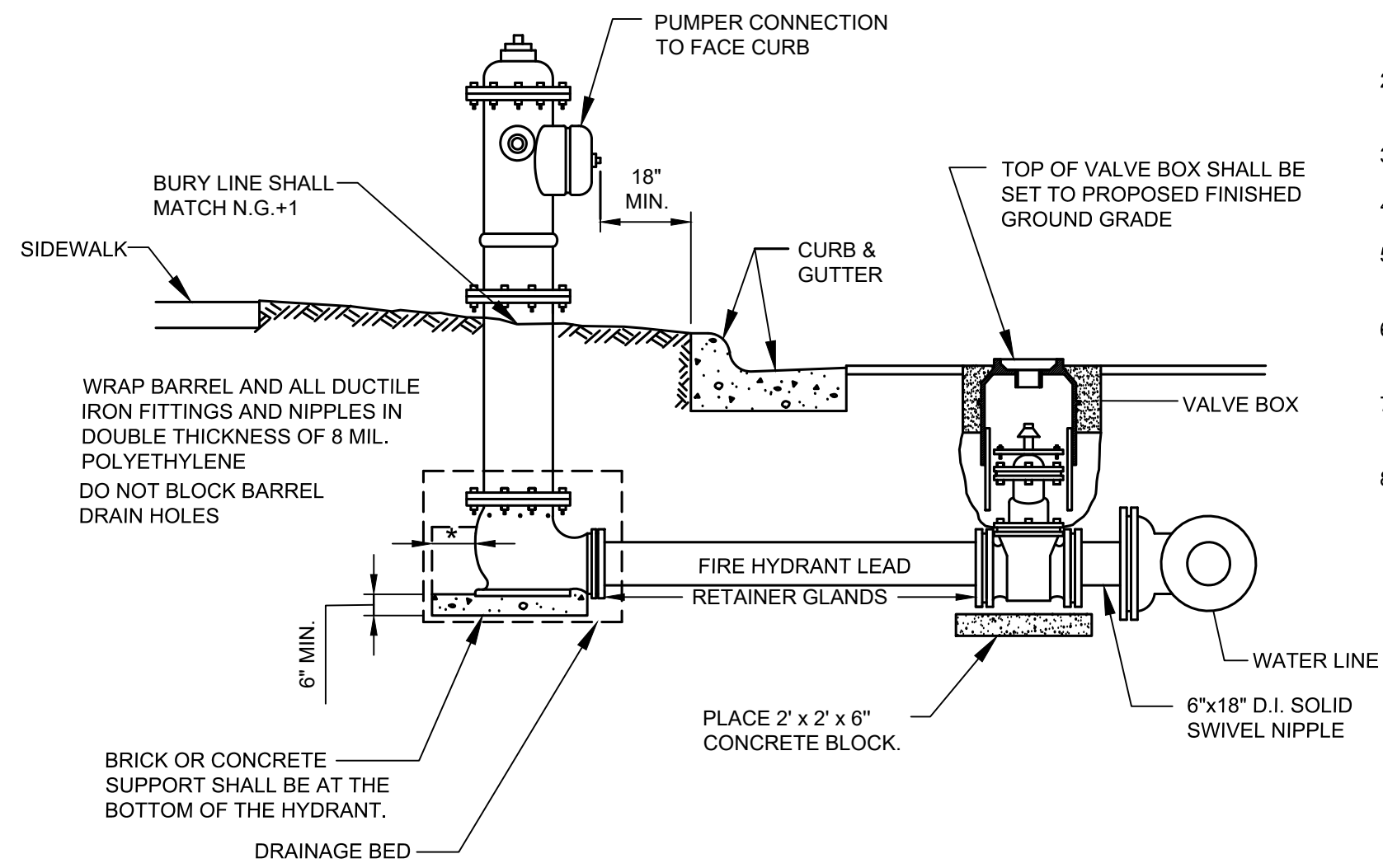
DRAWING NO.

C27

SHEET 28 of 56



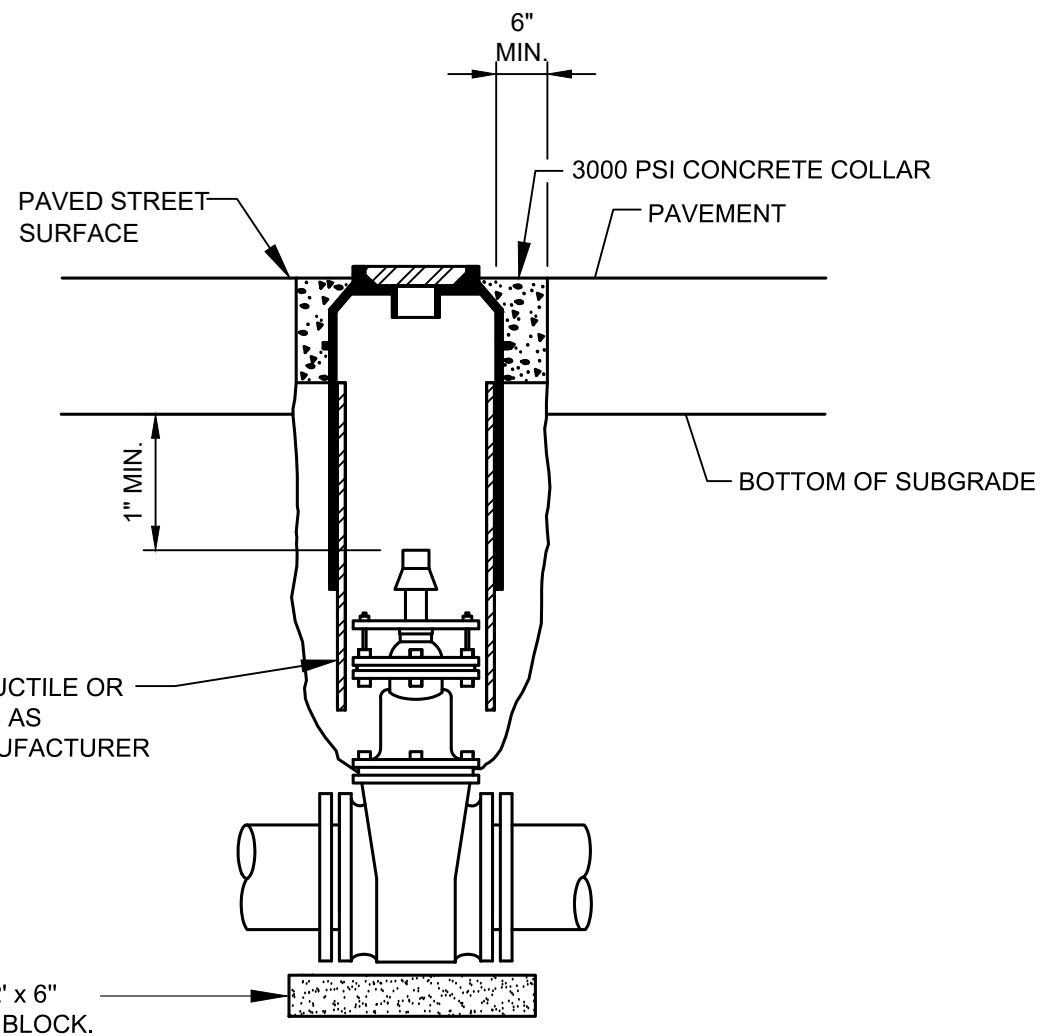
FILE NAME: I:\Projects\2021\City of Kingsville\GLO-LOC10 SW N ARMSTRONG ST\1- Drawings\2 - Details\13 WATER STD DETAILS II\K.dwg - LAYOUT NAME: WATER STD DETAILS II - PLOTTED: Tuesday, February 04, 2025 - 11:21 AM USER: martin



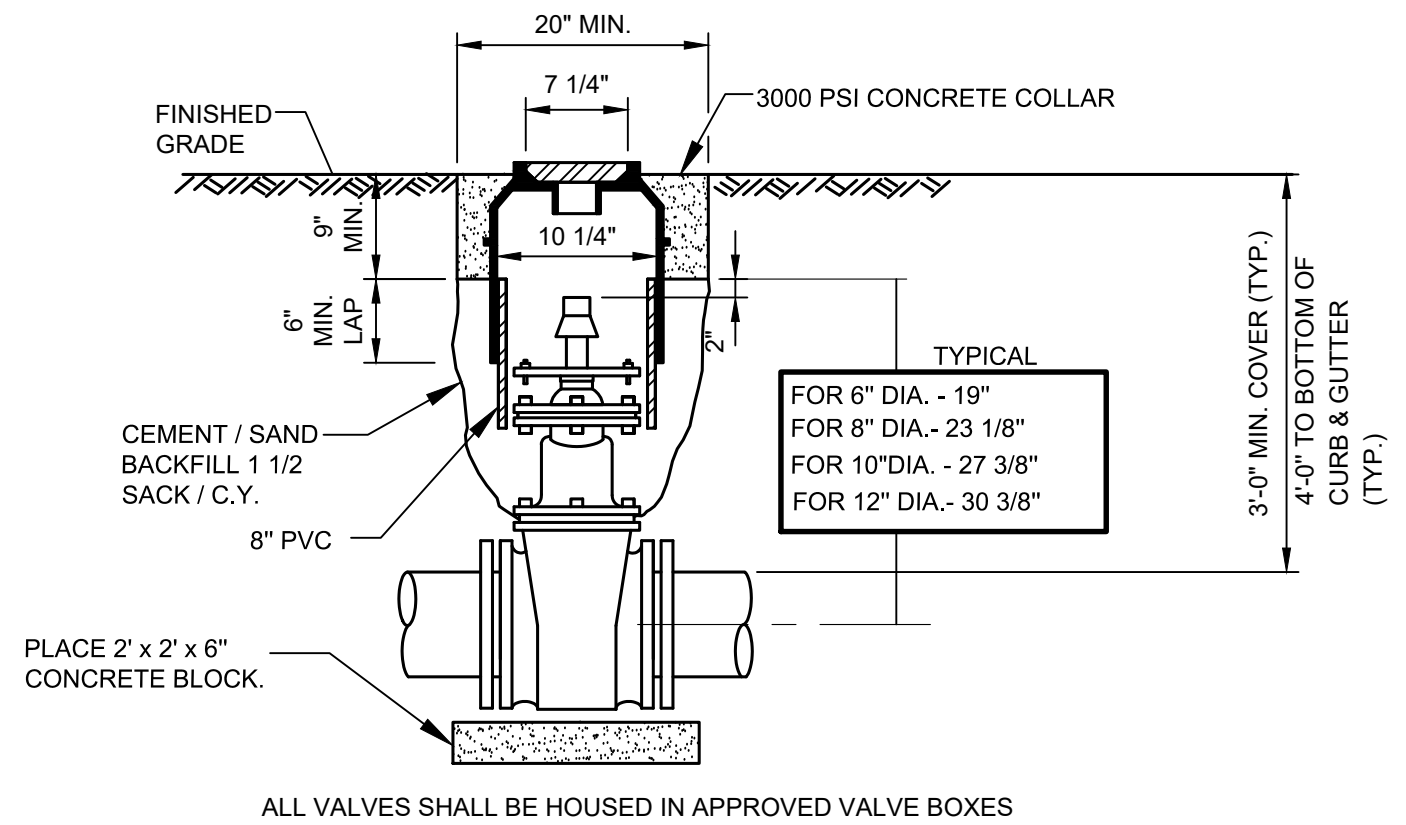
- NOTE:**
1. ANYTHING LESS THAN 20' WILL BE DUCTILE IRON LOCKED TO THE VALVE.
  2. ANYTHING MORE THAN 20' SHALL REQUIRE CONCRETE THRUST BLOCK BEHIND HYDRANT AGAINST UNDISTURBED SOIL.
  3. FIRE HYDRANTS SHALL BE PAINTED RED.

**1** FIRE HYDRANT ASSEMBLY DETAIL (TYPE 1)  
SCALE: N.T.S.

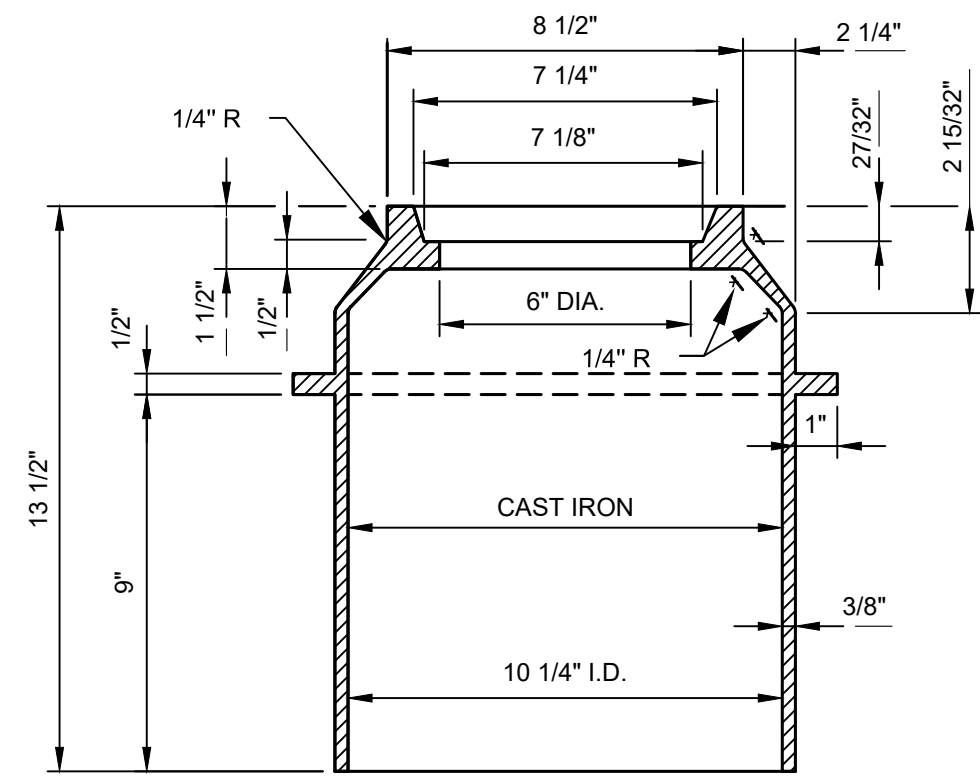
- FIRE HYDRANTS:**
1. DRAINAGE BED SHALL CONSIST OF CRUSHED STONE OR COARSE GRAVEL W/ COARSE SAND. MIN. VOLUME 7 CU. FT., DRAIN BED SHALL EXTEND A MIN. 6" ABOVE DRAIN OUTLET.
  2. ALL FIRE HYDRANT FITTINGS SHALL BE LOCKED TOGETHER BY LOCKING RETAINER GLANDS.
  3. FIRE HYDRANT TO BE BLOCKED AGAINST FIRM SOIL AS SHOWN.
  4. ALL HYDRANTS SHALL BE INSTALLED PLUMB.
  5. LARGE NOZZLE FACES ROAD, UNLESS OTHERWISE NOTED. ROTATE BARREL AS REQUIRED.
  6. HYDRANT SHOULD NOT BE SET CLOSER THAN 4' TO OBSTRUCTIONS THAT ARE IN LINE WITH NOZZLE.
  7. FIRE HYDRANT SHALL BE SET TO MANUFACTURER'S BURY LINE AT PROPOSED/EXISTING GRADE PLUS 1".
  8. NO TAPS ARE TO BE MADE ON FIRE HYDRANT LEAD.



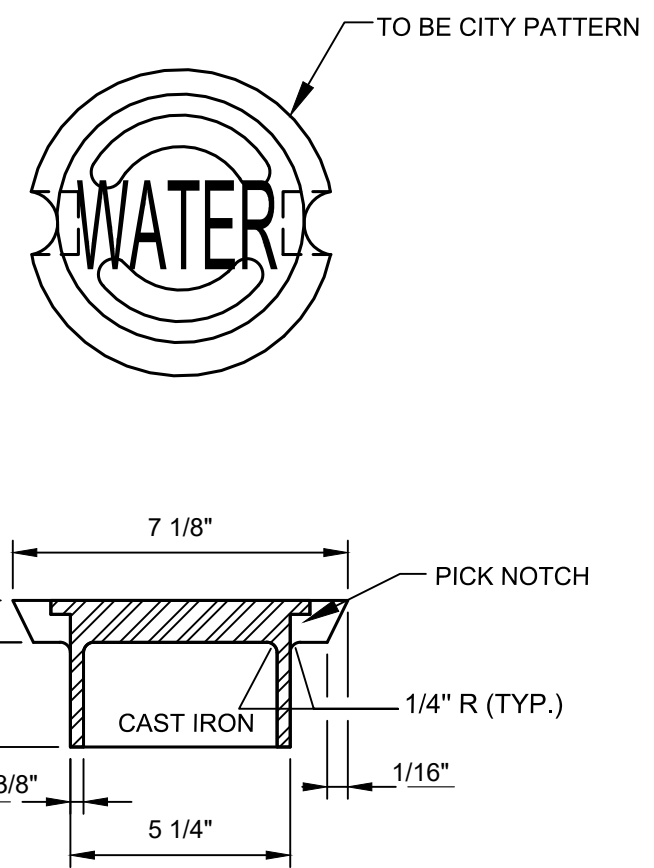
**2** VALVE BOX DETAIL @ PAVEMENT  
SCALE: N.T.S.



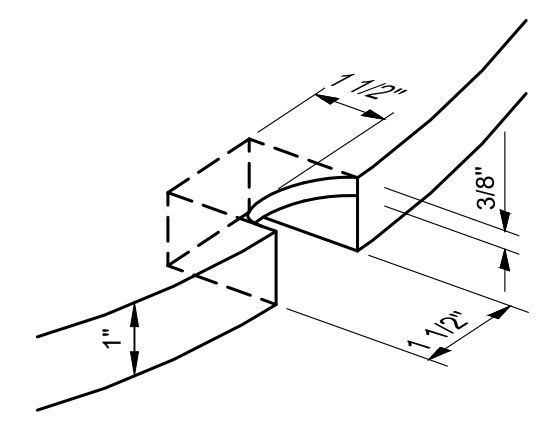
**3** VALVE BOX DETAIL @ NATURAL GROUND  
SCALE: N.T.S.



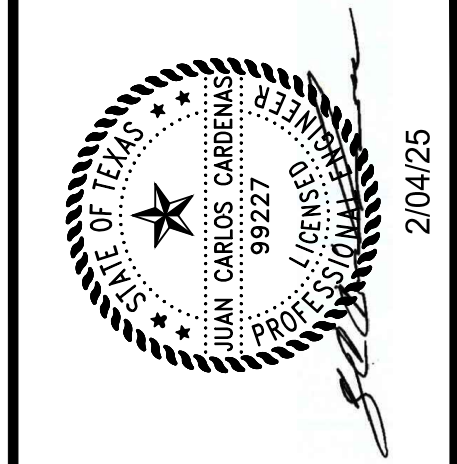
**4** EXTENSION DETAIL  
SCALE: N.T.S.



**5** LID DETAIL  
SCALE: N.T.S.



**6** PICK NOTCH  
SCALE: N.T.S.



**CITY OF KINGSVILLE GLO SW PROJECT 10  
(N. ARMSTRONG ST.) STORM WATER IMPROVEMENTS**  
KINGSVILLE, KLEBERG COUNTY, TEXAS

**WATER STANDARD DETAILS II**

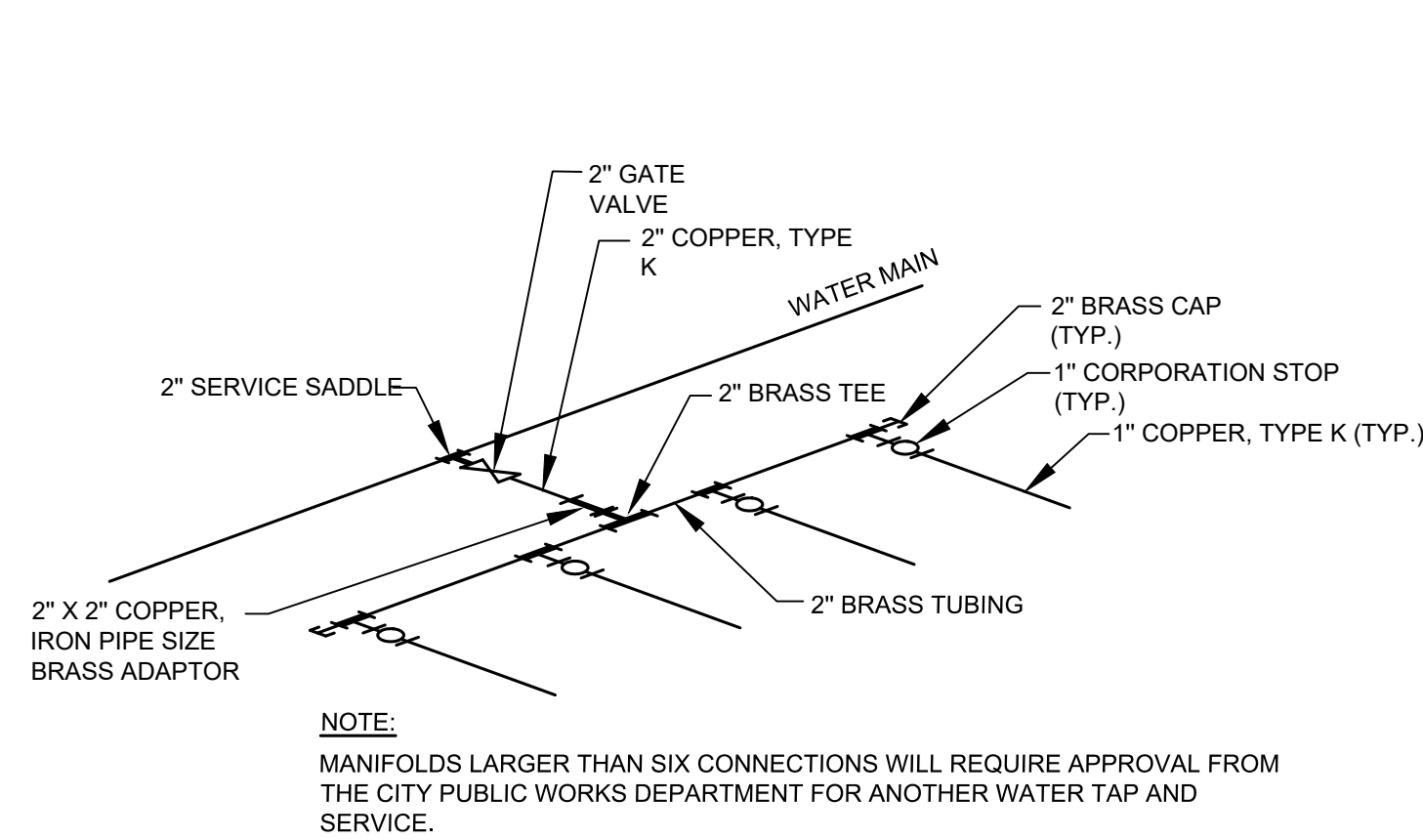
REVISION NO.	DATE	DESCRIPTION	BY	REV. 1
1	02-04-25	JCC		

DRAWING NO. **C28**

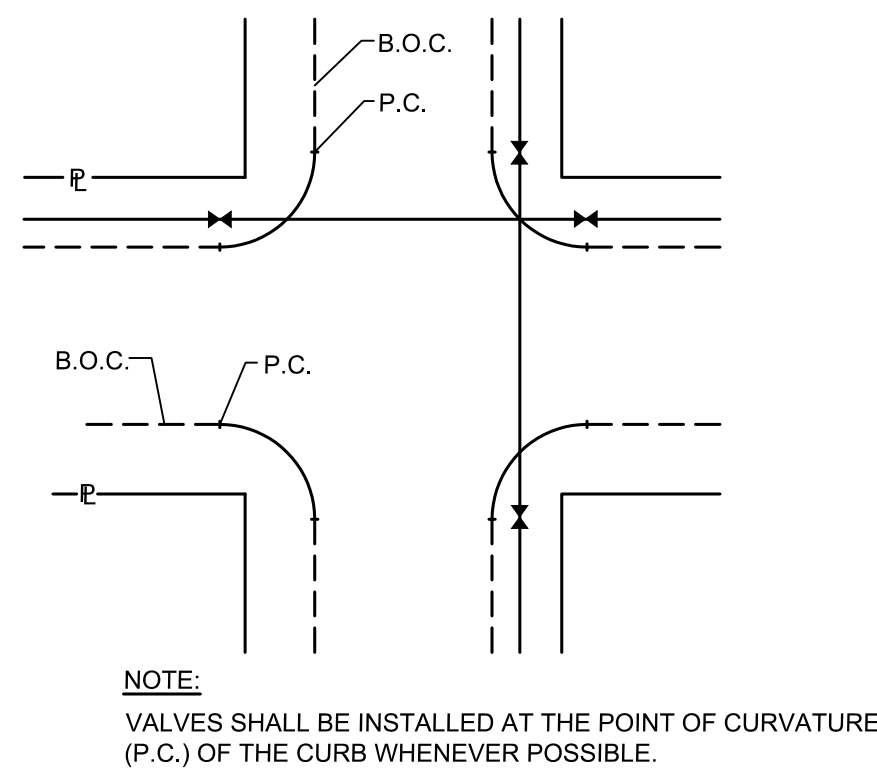
SHEET 29 of 56



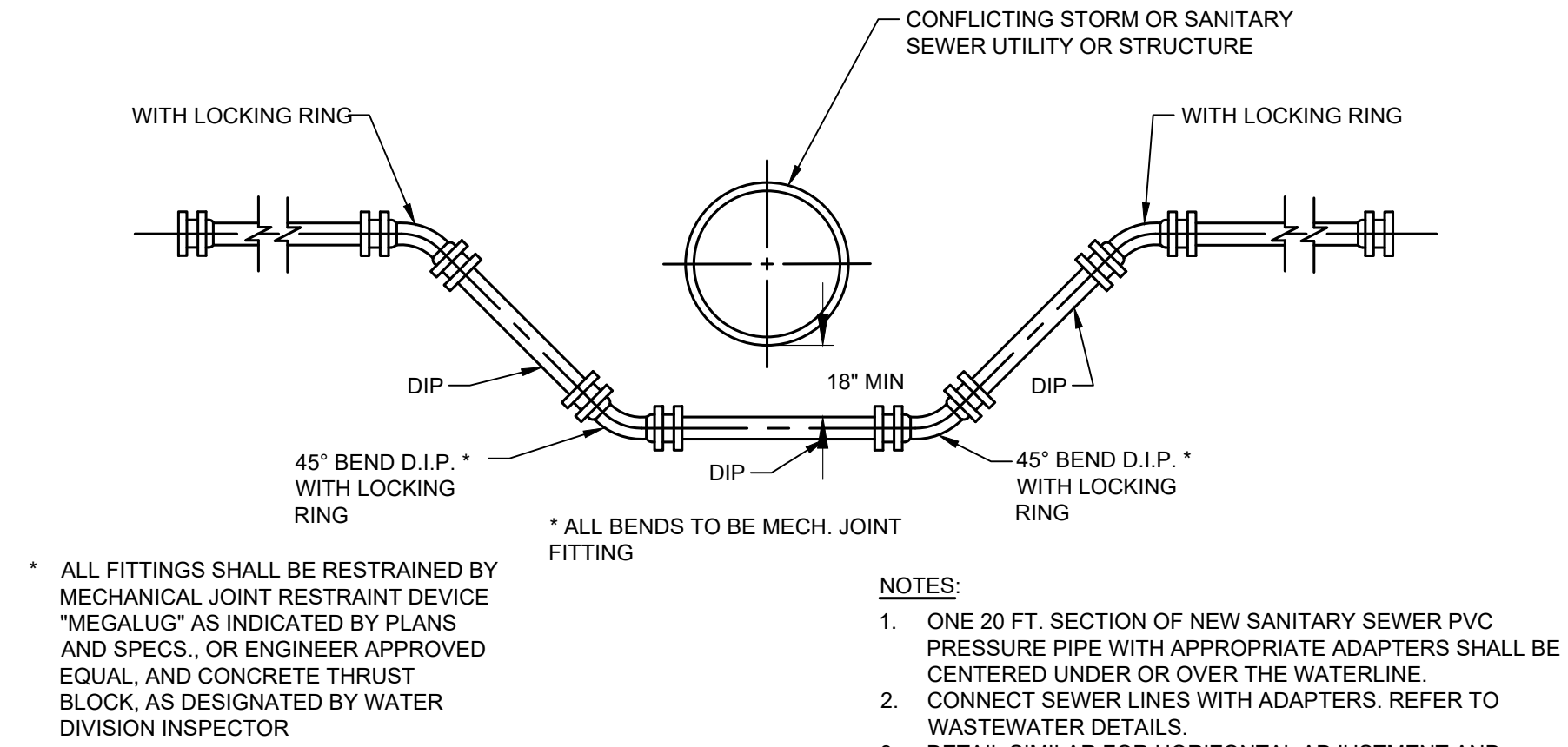
FILE NAME: I:\Projects\2021\city of kingsville\GLO-LOC10 SW N ARMSTRONG ST\1 - Drawings\2 - Drawings\2 - Drawing\10-13 WATER STD DETAILS H-V.dwg LAYOUT NAME: WATER STD DETAILS III - PLOTTED: Tuesday, February 04, 2025 - 11:12 AM USER: martin



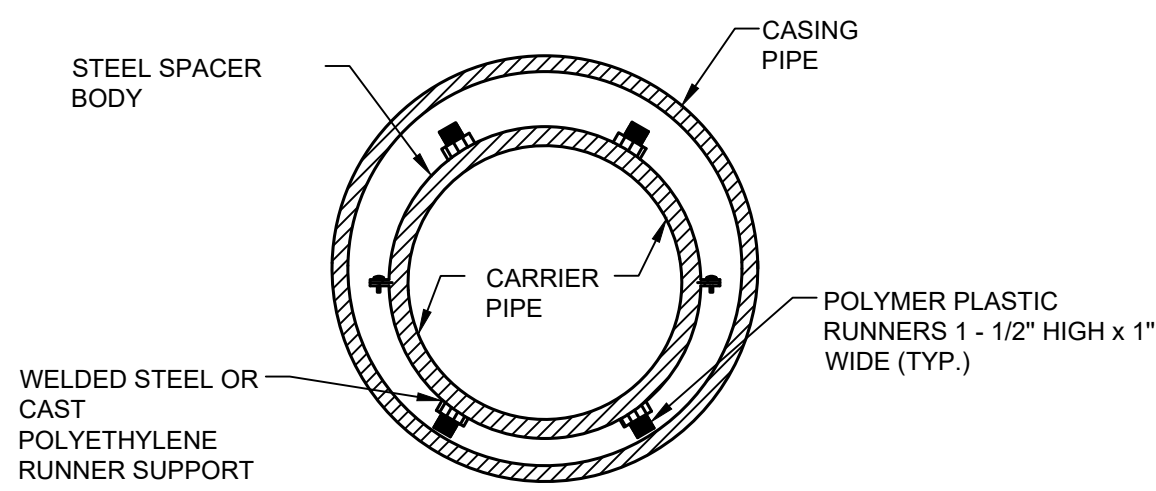
**1** THREE TO SIX WATER CONNECTIONS  
C29/C29 SCALE: N.T.S.



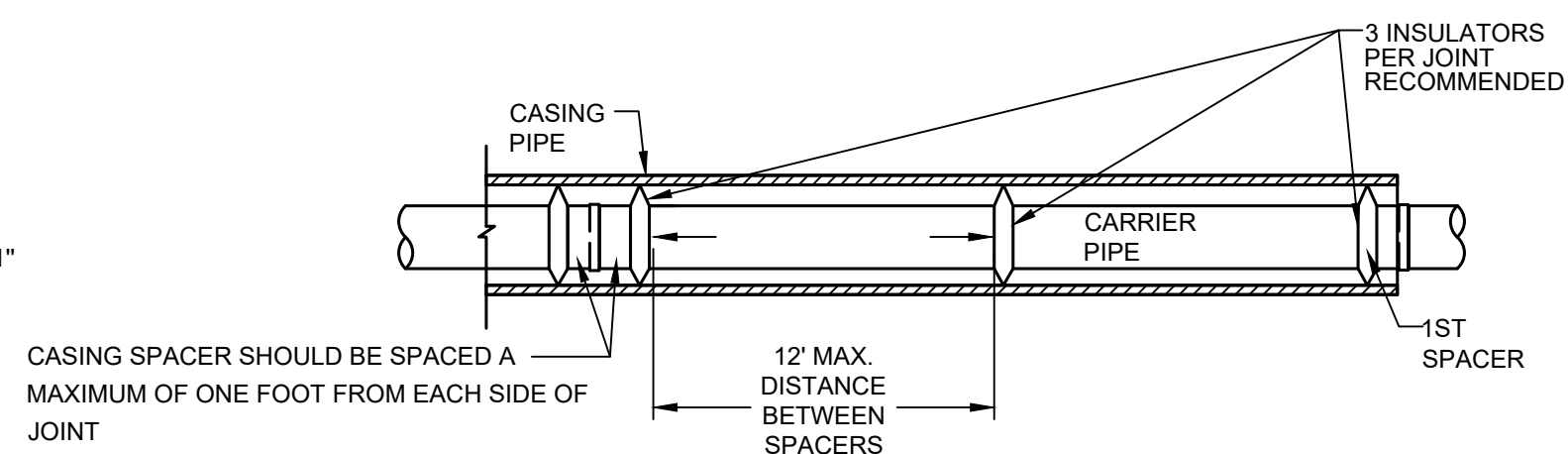
**2** TYPICAL VALVE INSTALLATION AT INTERSECTIONS  
C29/C29 SCALE: N.T.S.



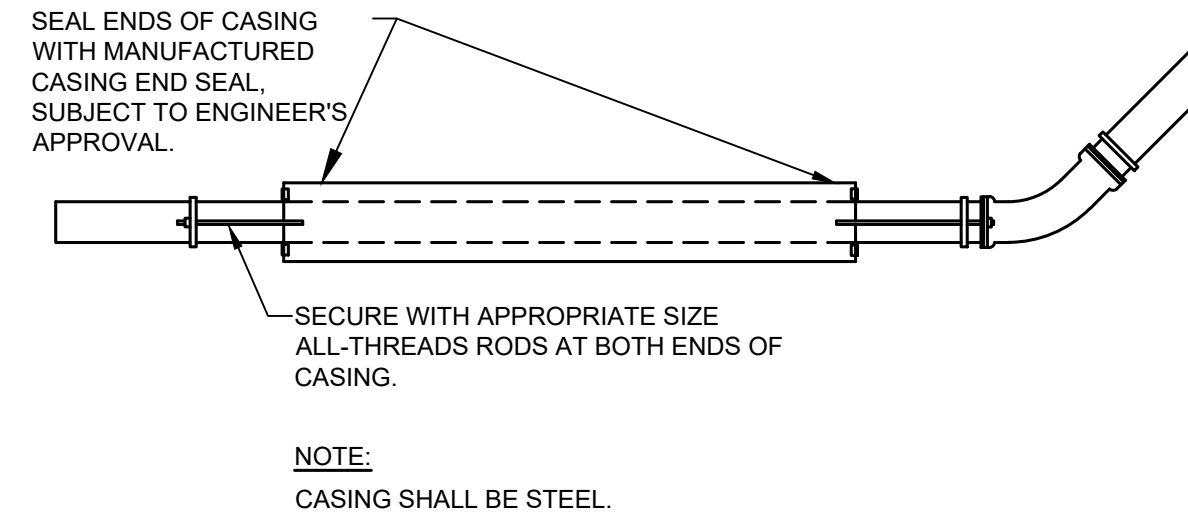
**3** WATERLINE ADJUSTMENT DETAIL  
C29/C29 SCALE: N.T.S.



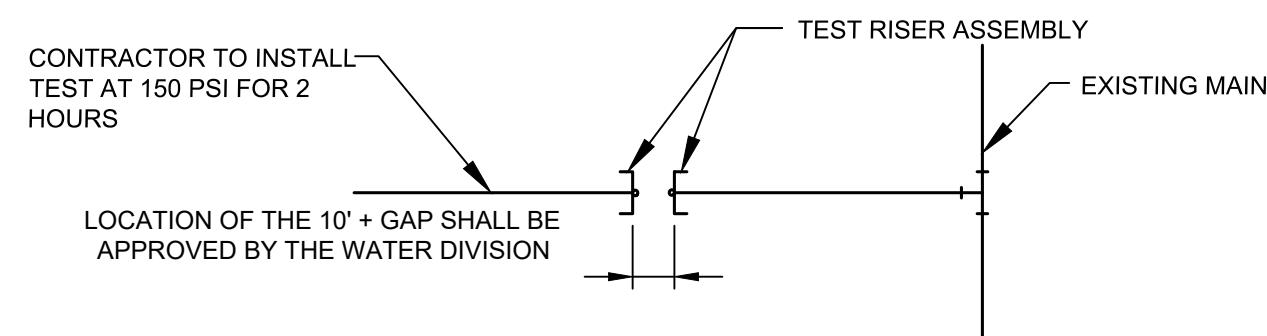
**4** PIPE INSULATION DETAIL  
C29/C29 SCALE: N.T.S.



**5** INSULATOR SPACING DETAIL  
C29/C29 SCALE: N.T.S.

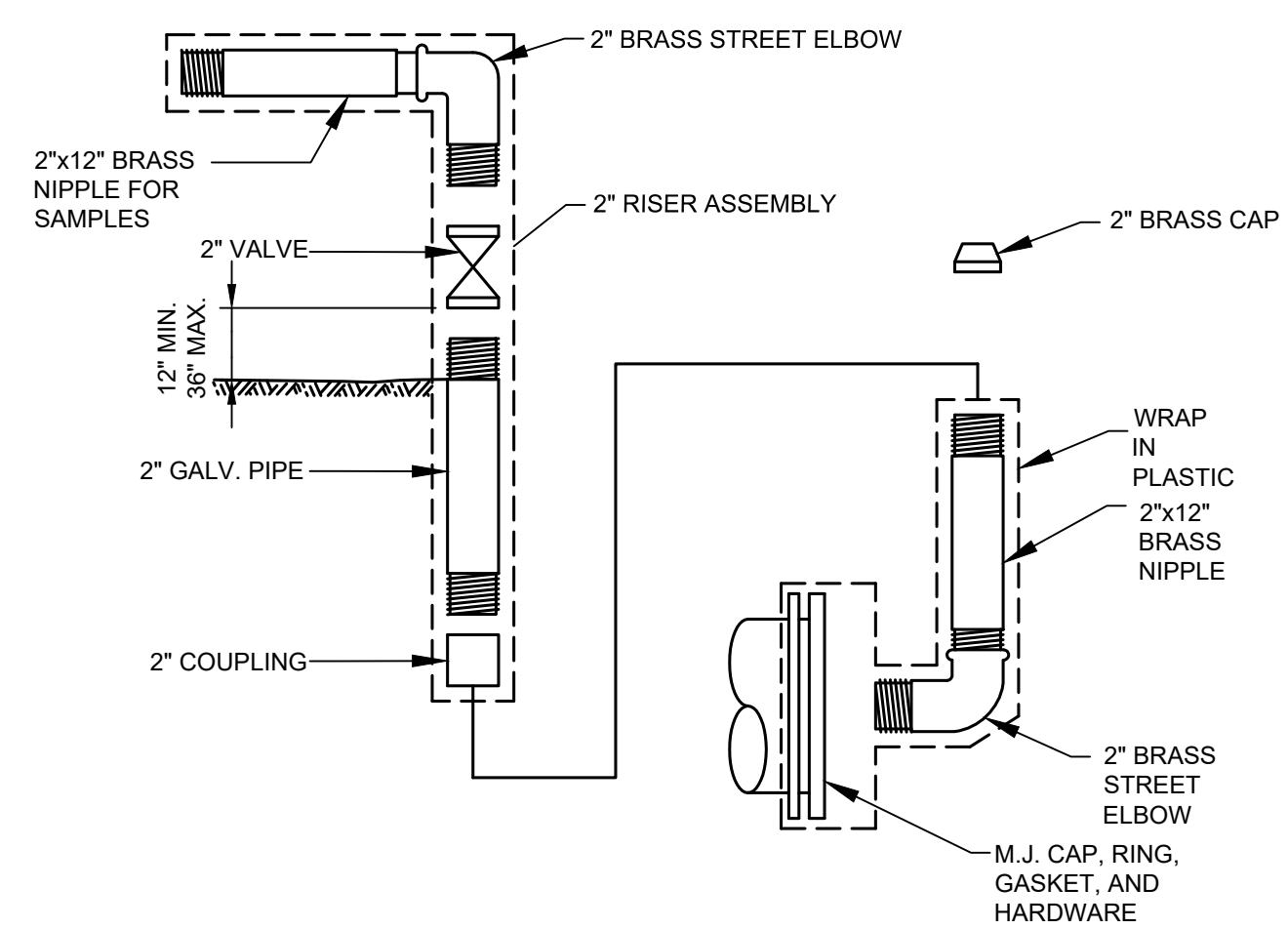


**6** TYPICAL CASING DETAIL  
C29/C29 SCALE: N.T.S.



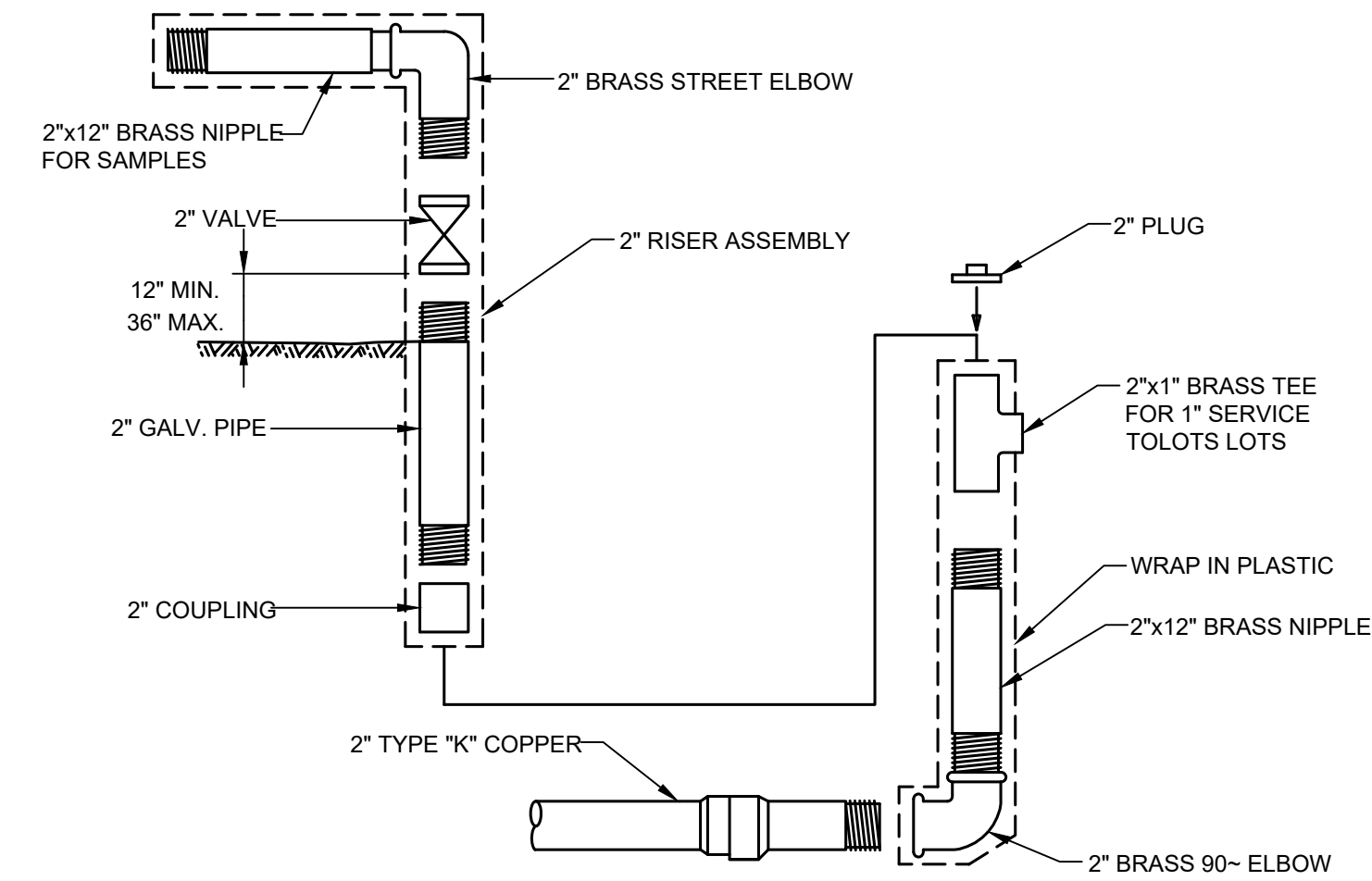
1. HYDROSTATIC TEST: WATER FOR FILLING THE NEW WATER LINE AND PERFORMING TESTS WILL BE FURNISHED TO THE CONTRACTOR BY THE CITY THROUGH A STANDARD WATER CONSTRUCTION METER CONNECTION. STANDARD WATER CONSTRUCTION METER AND GAUGE WILL BE SUPPLIED BY THE CITY AFTER THE CONTRACTOR HAS PAID ALL APPLICABLE FEES FOR THE WATER CONSTRUCTION METER. THE TEST PUMP WITH APPROPRIATE CONNECTION POINTS AS APPROVED BY THE WATER SUPERINTENDENT FOR THE INSTALLATION OF METER AND GAUGE SHALL BE FURNISHED BY THE CONTRACTOR. THE METER SHALL BE DIRECTLY CONNECTED TO THE MAIN OR PIPE BEING TESTED BY THE USE OF COPPER TUBING OR AN APPROVED REINFORCED HOSE. THE METER SHALL BE PROTECTED AGAINST EXTREME PRESSURES BY THE USE OF A ONE (1") INCH SAFETY RELIEF VALVE SET AT THE TEST PRESSURE PLUS TEN POUNDS PER SQUARE INCH AND FURNISHED BY THE CITY (48 HOURS NOTIFICATION).
2. BACTERIOLOGICAL TEST: CONTRACTOR SHALL FURNISH AND INSTALL TEST RISER ASSEMBLY. AFTER BACTERIOLOGICAL SAMPLE PASSES TEST, CONTRACTOR SHALL REMOVE TEST RISER ASSEMBLIES AND TIE NEW SYSTEM TO EXISTING UNDER THE SUPERVISION OF THE PUBLIC WORKS INSPECTOR. CONTRACTOR SHALL FURNISH ALL MATERIALS, LABOR AND EQUIPMENT THAT IS REQUIRED TO MAKE TIE / CONNECTION. CONTRACTOR WILL SCHEDULE & COORDINATE WITH PUBLIC WORKS INSPECTOR ON DATE & TIME OF TIE-IN. (24 HOURS NOTIFICATION)
3. CONTRACTOR SHALL FURNISH AND INSTALL TAPPING SLEEVE OR SADDLE AND TAPPING GATE VALVE AND VALVE BOX COMPLETE. CITY TO MAKE TAP (72 HOURS NOTIFICATION)

**7** DETAIL "A"  
TEST RISER ASSEMBLY CONNECTION  
C29/C29 SCALE: N.T.S.



**8** DETAIL "B"  
TEST RISER ASSEMBLY CONNECTION  
C29/C29 SCALE: N.T.S.

FURNISHED AND INSTALLED BY CONTRACTOR



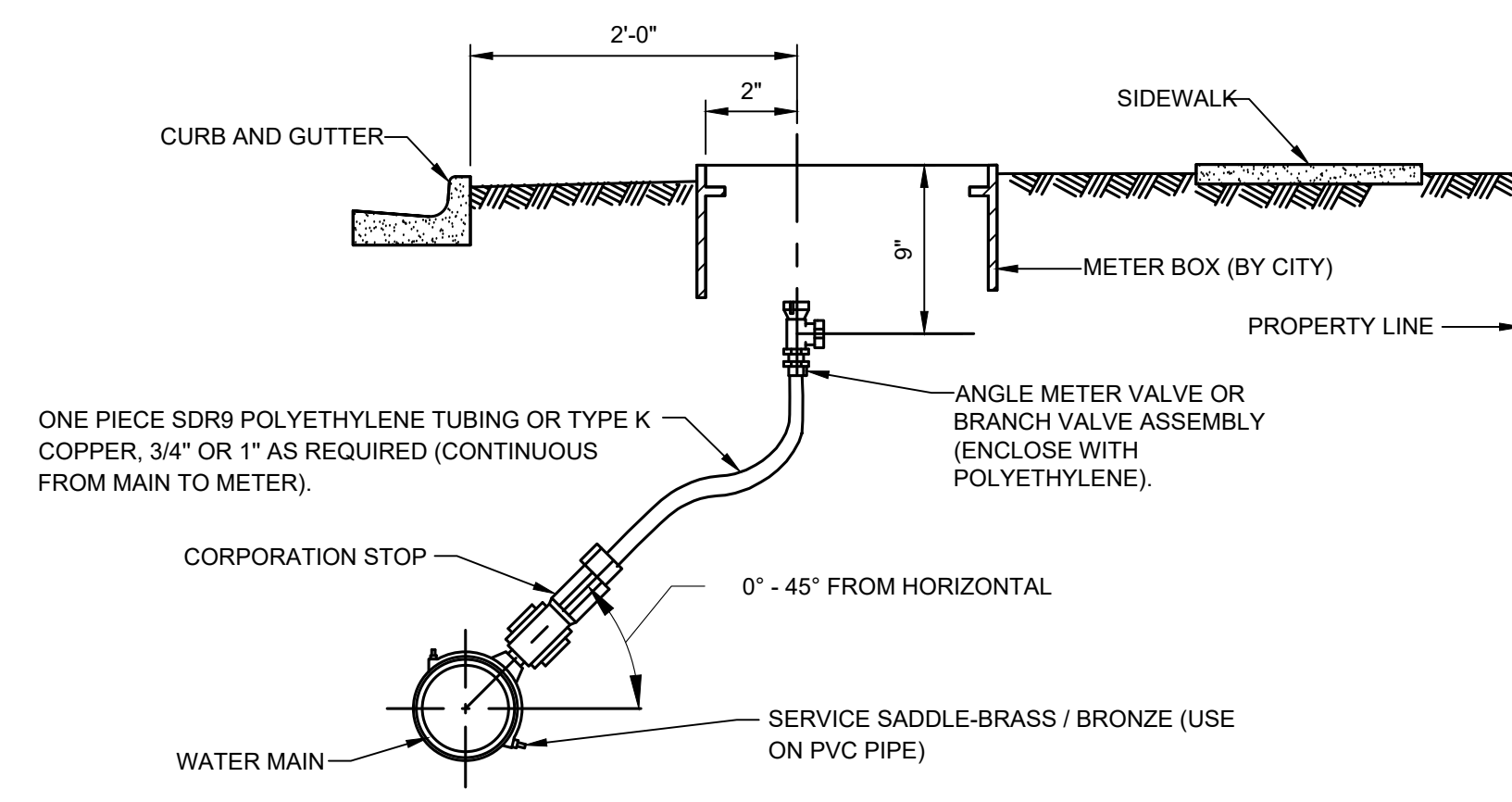
**9** DETAIL "C"  
TEST RISER ASSEMBLY CONNECTION  
C29/C29 SCALE: N.T.S.

FURNISHED AND INSTALLED BY CONTRACTOR

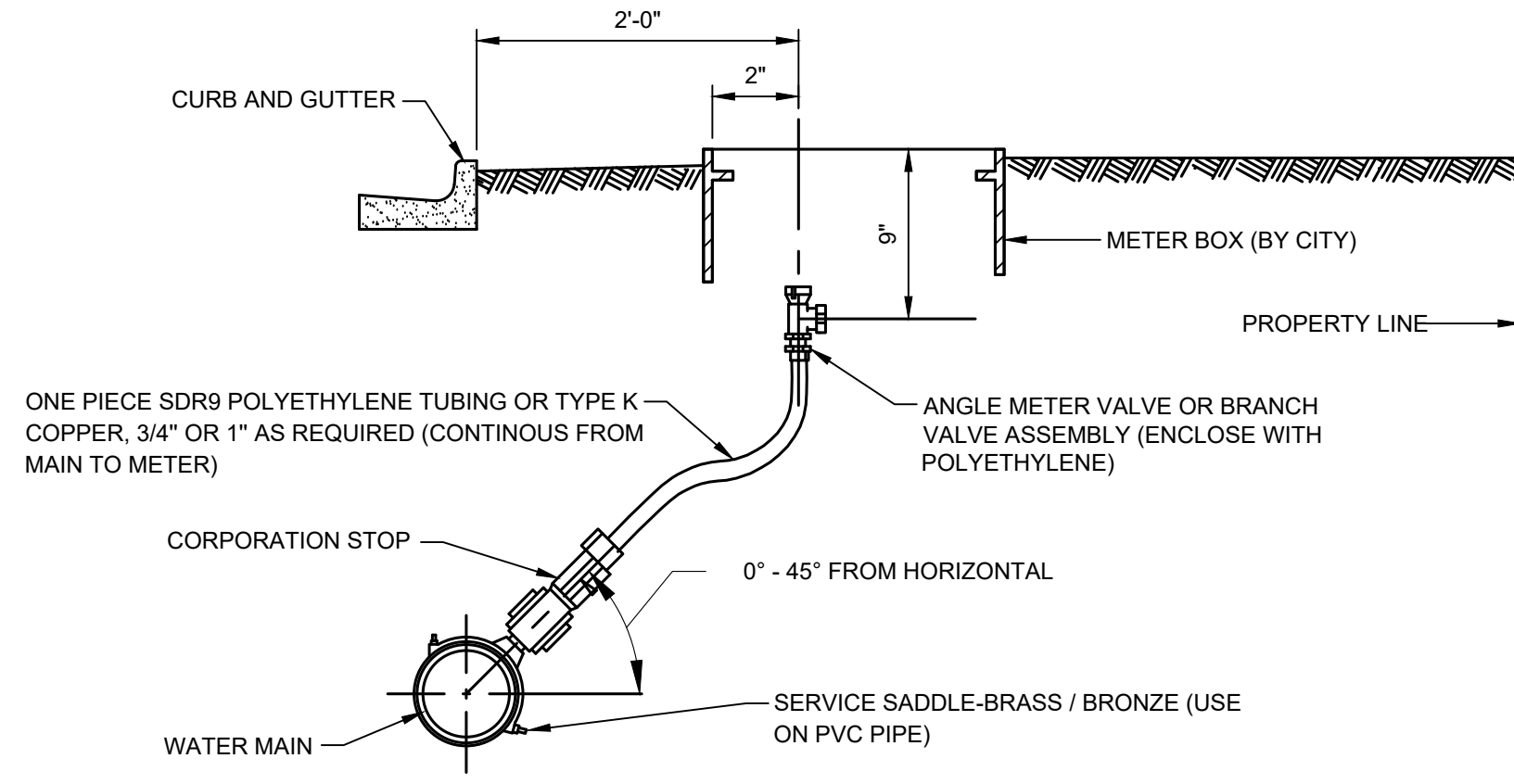
CONSULTANT'S SHEET PROJECT NO. 21107-01B			
		INTERNATIONAL CONSULTING ENGINEERS 264 SARATOGA BLVD. CORPUS CHRISTI, TX 78417 PHONE: 361.826.5805 FAX: 361.826.5806 I.C.E. FIRM REGISTRATION #F-10837	
DESCRIPTION	BY	DATE	REVISION NO.
CITY OF KINGSVILLE (N. ARMSTRONG ST.) STORM WATER IMPROVEMENTS KINGSVILLE, KLEBERG COUNTY, TEXAS			
WATER STANDARD DETAILS III			
REV. 1	JCC	02-04-25	DATE
			BY
			DESCRIPTION
			CITY OF KINGSVILLE GLO SW PROJECT 10 (N. ARMSTRONG ST.) STORM WATER IMPROVEMENTS KINGSVILLE, KLEBERG COUNTY, TEXAS
			WATER STANDARD DETAILS III
			DRAWING NO.
			C29
			SHEET 30 of 56



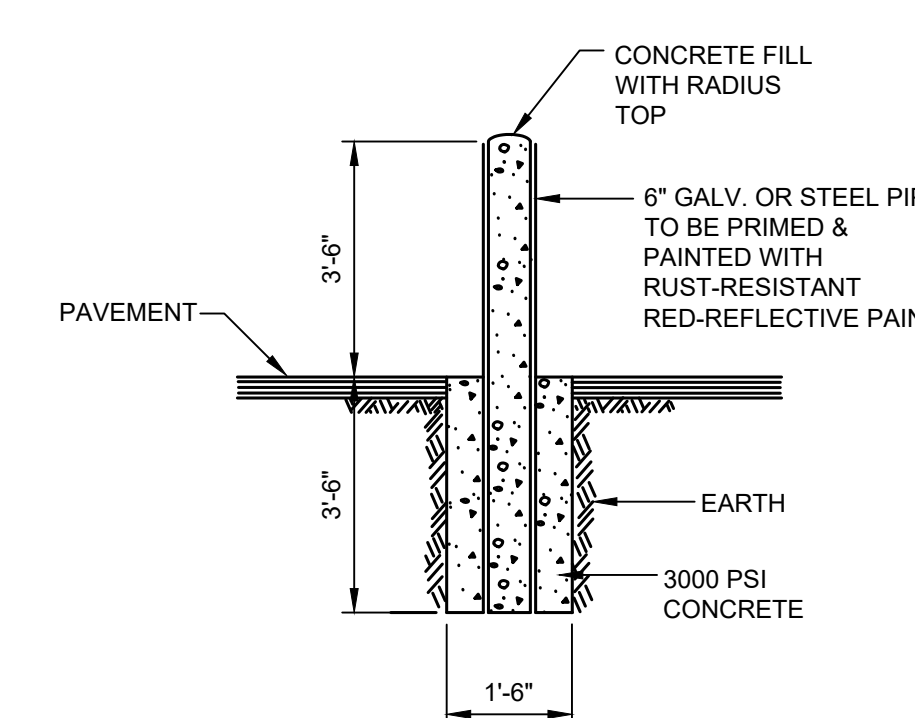
FILE NAME: I:\Projects\2021\City of Kingsville\GLO-SW\1-Drawings\2-Civil\C10-13 WATER STD DETAILS -w.dwg LAYOUT NAME: WATER STD DETAILS -w.dwg PLOTTED: Tuesday, February 04, 2025 11:21am USER: martin



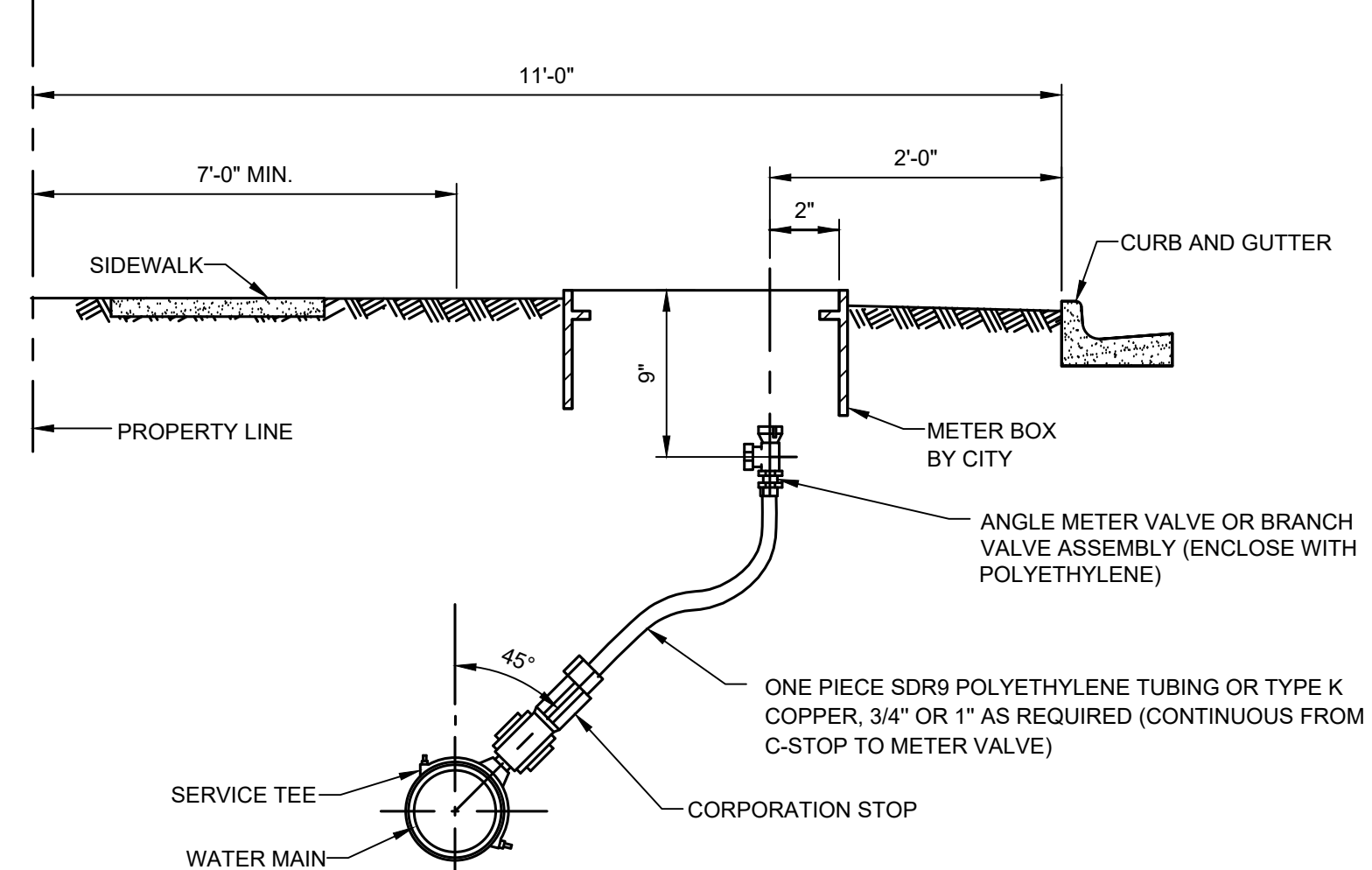
**1 SERVICE WITH SIDEWALK**  
SCALE: N.T.S.



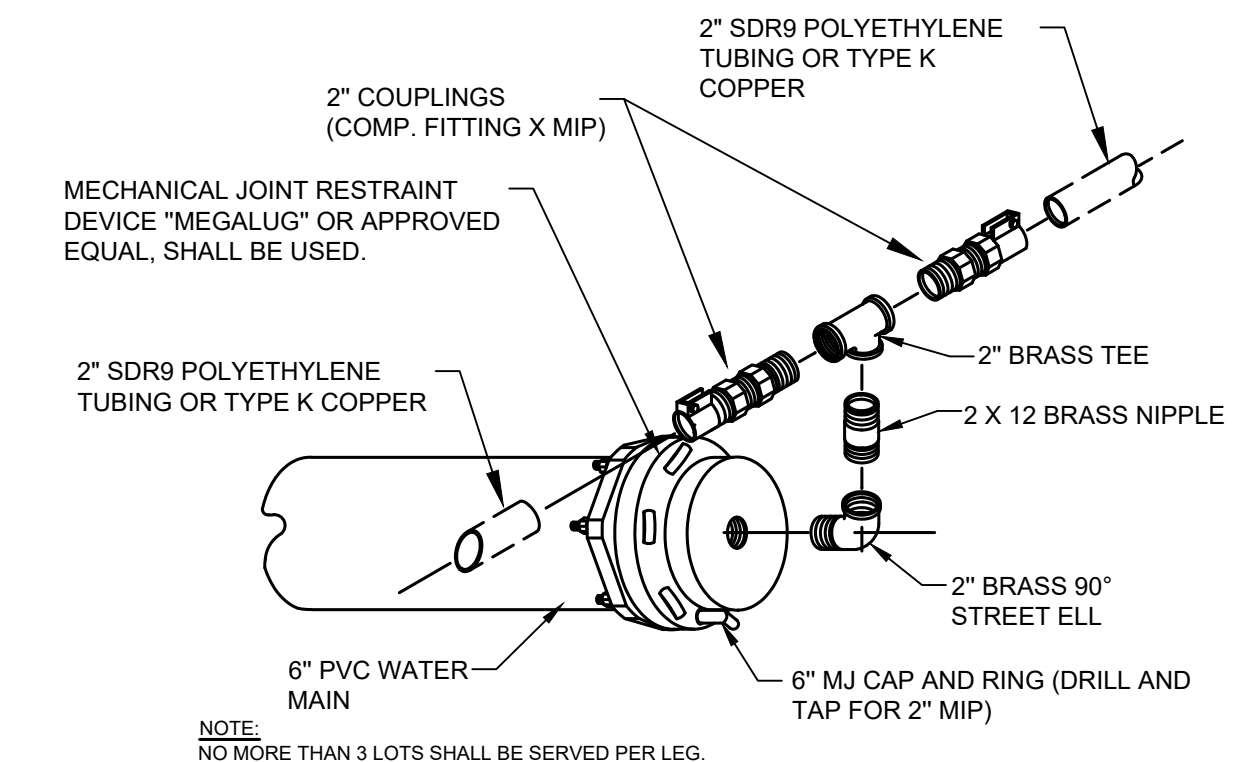
**4 SERVICE WITHOUT SIDEWALK**  
SCALE: N.T.S.



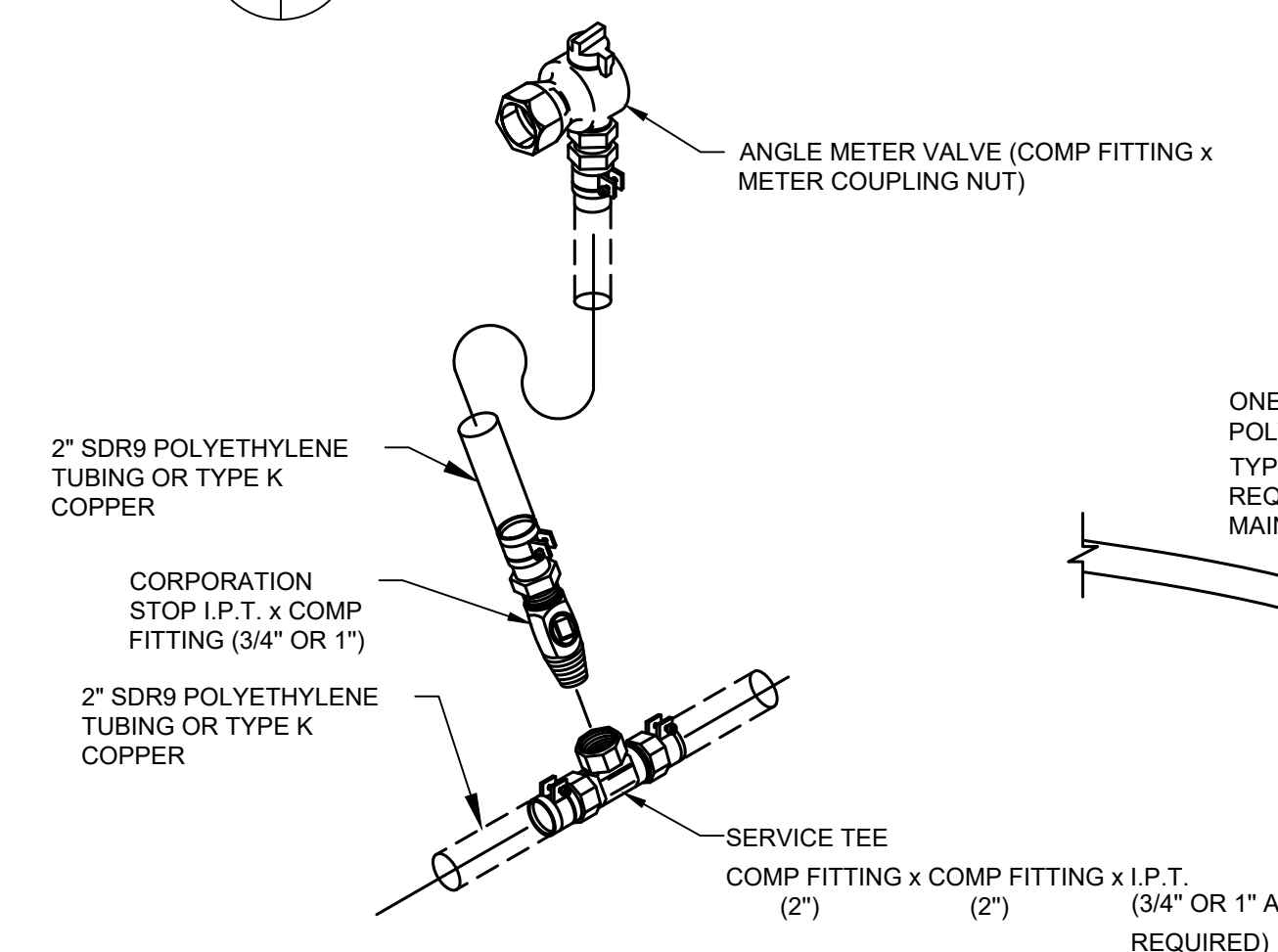
**6 BOLLARD DETAIL**  
SCALE: N.T.S.



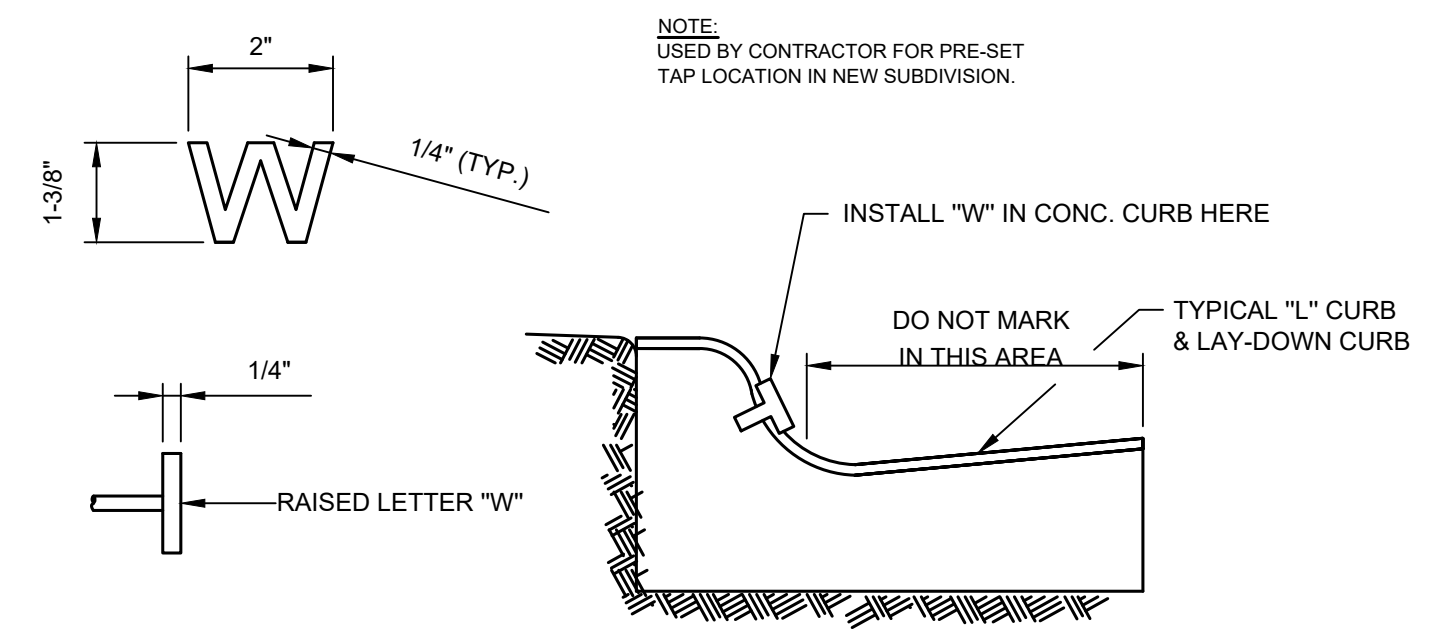
**2 TYPICAL CUL-DE-SAC SERVICE**  
SCALE: N.T.S.



**5 TYPICAL CONNECTION DETAIL**  
SCALE: N.T.S.



**7 TYPICAL CONNECTION DETAIL**  
SCALE: N.T.S.



**3 PRE-SET LINE MARKER DETAILS**  
SCALE: N.T.S.

**SERVICE LINE MATERIALS**

**SERVICE CLAMPS**  
FOR 3/4", 1", 1 1/2" I.P. THREAD TAPS FOR 6" MAINS; 2" I.P. THREAD CLAMP TAP CONNECTION ALLOWED FOR 8" AND LARGER MAINS.

**CORPORATION STOPS**  
3/4", 1", 1 1/2", AND 2" REQUIRED WITH I.P. THREAD INLET BY COPPER COMPRESSION OUTLET WITH CLAMP - CORPORATION STOP REQUIRED AT ALL SERVICE TAPS.

**ONE PIECE SDR9 POLYETHYLENE TUBING OR TYPE K COPPER**  
REQUIRED FOR ALL SERVICE LINES BETWEEN MAIN TO METER - SIZES REQUIRED 3/4", 1", 1 1/2", AND 2" (NO SPLICES ALLOWED)

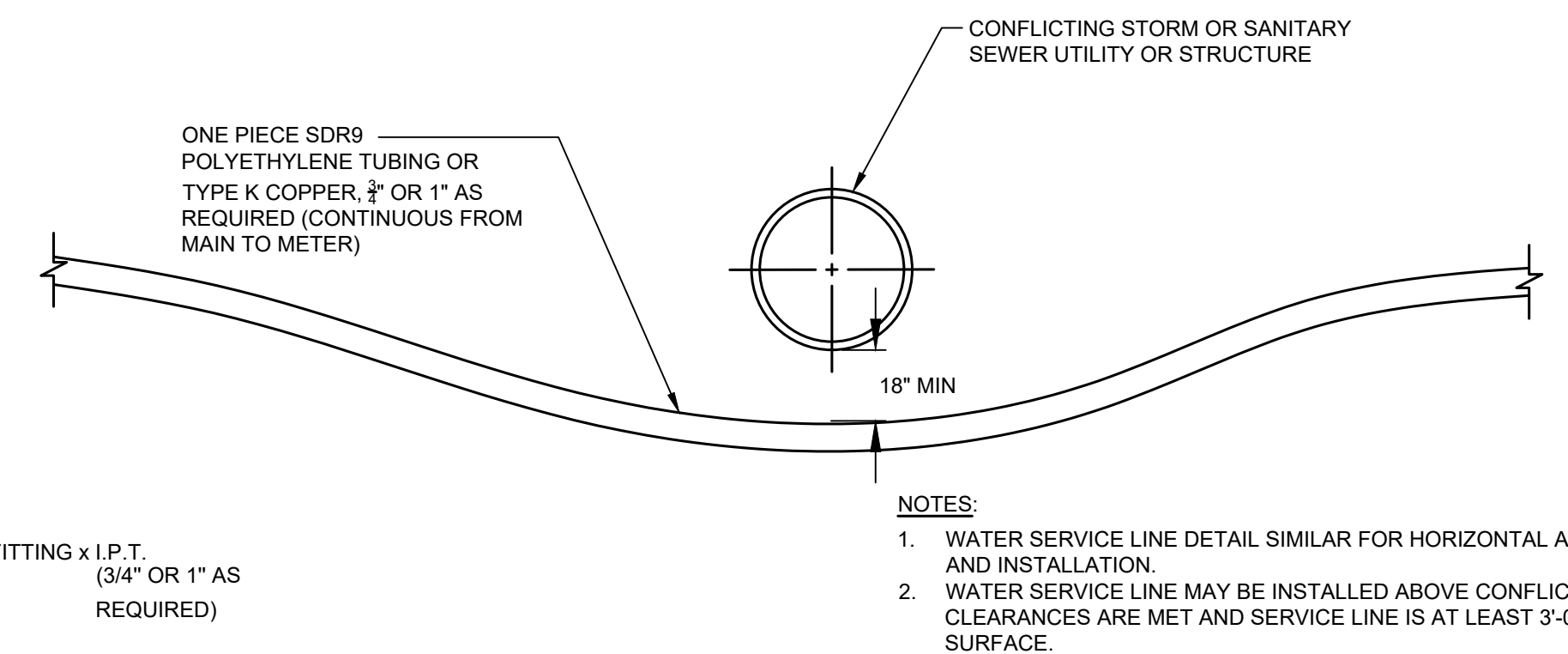
**ANGLE METER STOP**  
REQUIRED AT ALL METERS - SIZES 3/4" & 1" - INSTALL 3/4" UNLESS DIRECTED OTHERWISE - COPPER COMPRESSION W/ CLAMP INLET BY METER COUPLING NUT OUTLET.

**METER**  
METER ADAPTER AND CHECK VALVE  
REQUIRED AT ALL METERS - SIZES 3/4" & 1" - INSTALL 3/4" UNLESS DIRECTED OTHERWISE - METER NUT INLET BY 3/4" MALE I.P. OUTLET.

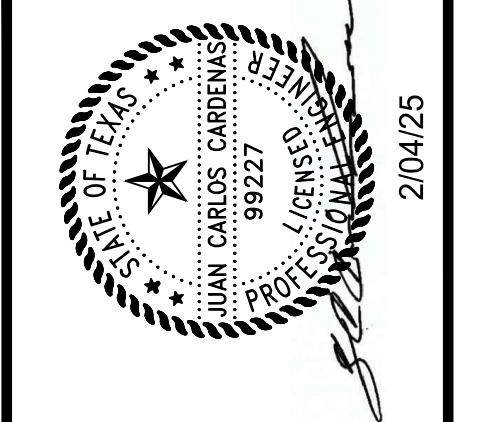
**ADAPTER COUPLING**  
REQUIRED AT ALL METERS - 3/4" & 1" - FEMALE I.P. BY PVC COMPRESSION.

**METER BOX**  
CAST IRON W/ HOT TAR DIP SHALL BE PROVIDED BY THE CONTRACTOR FOR 3/4" METER SETTINGS. IF EXISTING STRUCTURE DOES NOT HAVE ONE. BOXES FOR LARGER (1" & UP) METER SETTINGS SHALL BE FURNISHED BY THE CITY.

**BRASS FITTINGS**  
BRASS FITTINGS SHALL COMPLY WITH A.W.W.A. C800-66 AND BE WRAPPED IN POLYETHYLENE.



**8 WATER SERVICE LINE ADJUSTMENT DETAIL**  
SCALE: N.T.S.



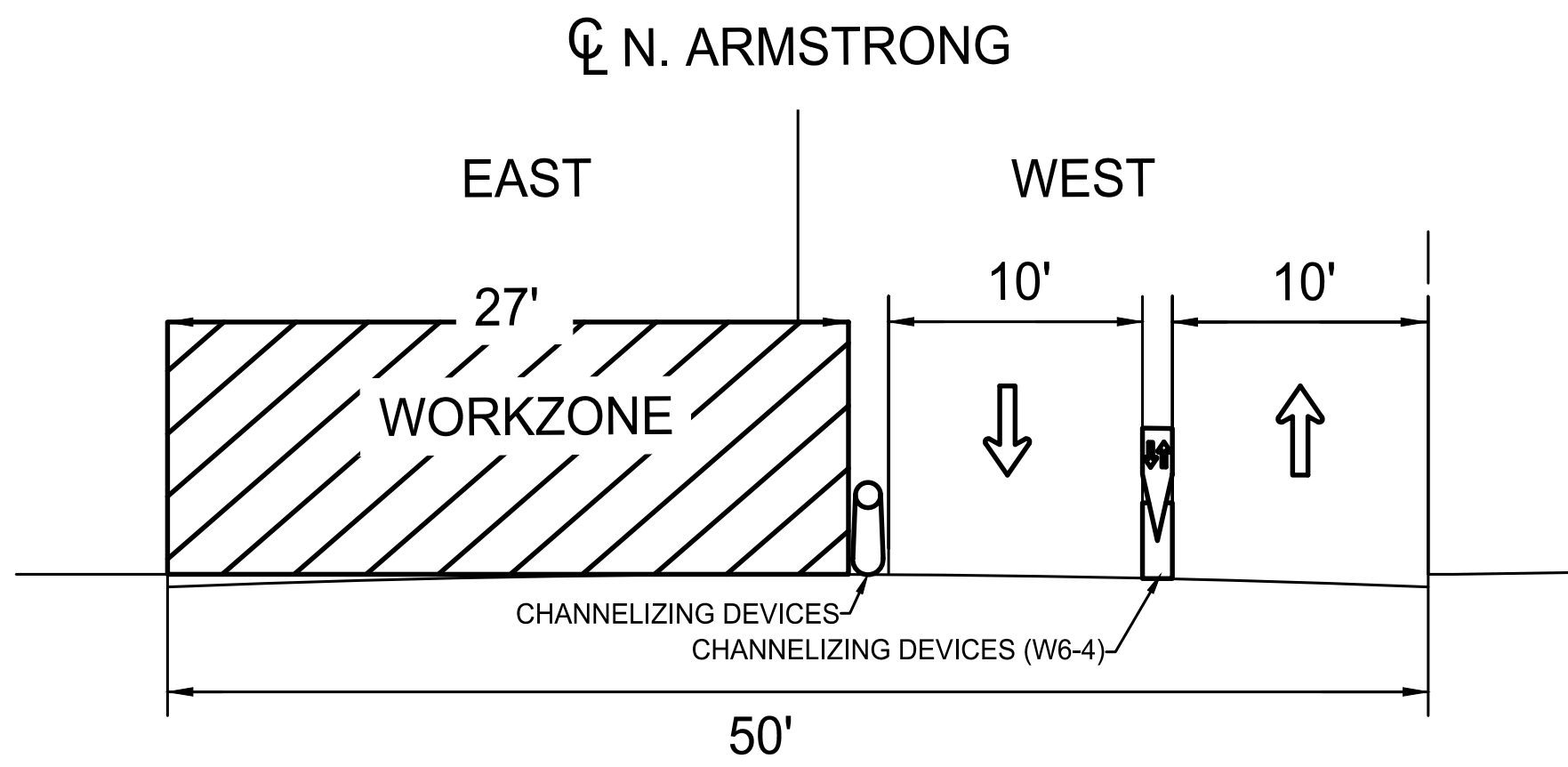
**IOE**  
INTERNATIONAL CONSULTING ENGINEERS  
261 SARATOGA BLVD.  
CORPUS CHRISTI, TX 78417  
PHONE: 361.826.5905  
FAX: 361.826.5906  
T.B.P.E. FIRM REGISTRATION #F-10837



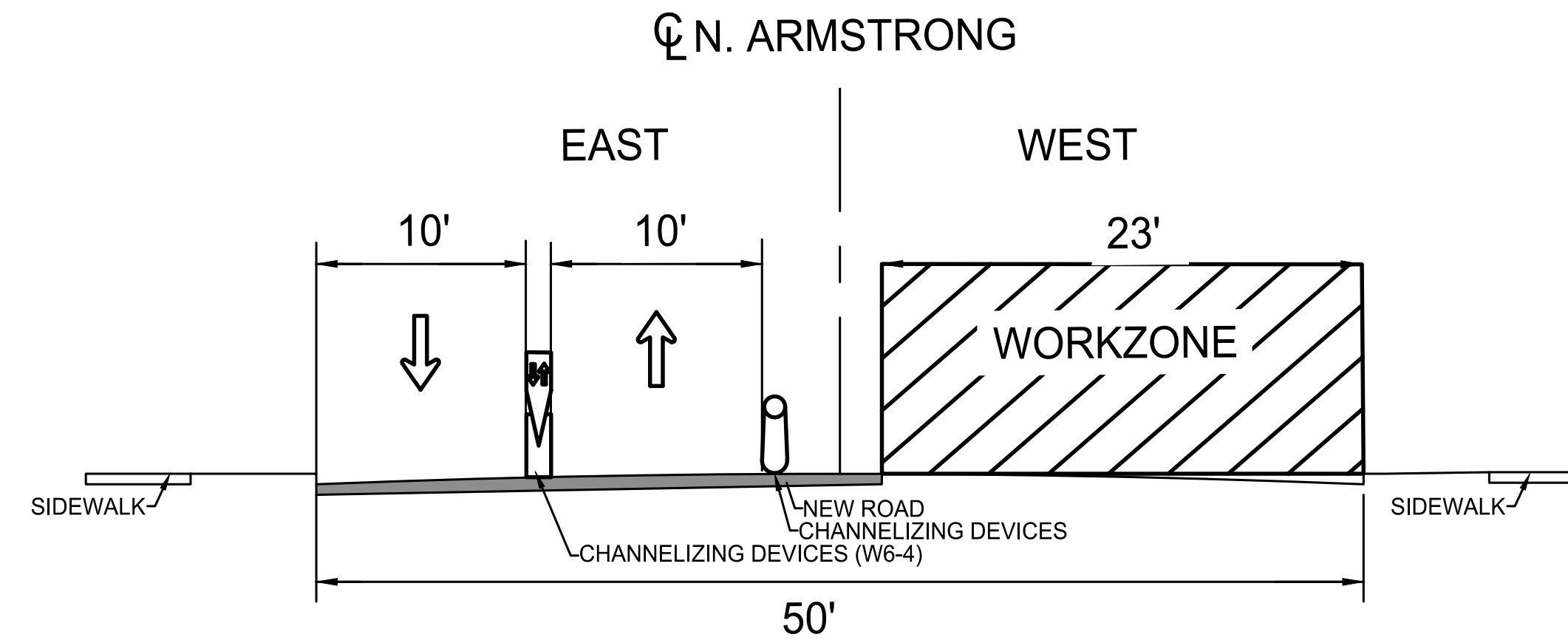
**CITY OF KINGSVILLE GLO SW PROJECT 10**  
**(N. ARMSTRONG ST.) STORM WATER IMPROVEMENTS**  
KINGSVILLE, KLEBERG COUNTY, TEXAS

**WATER STANDARD DETAILS IV**

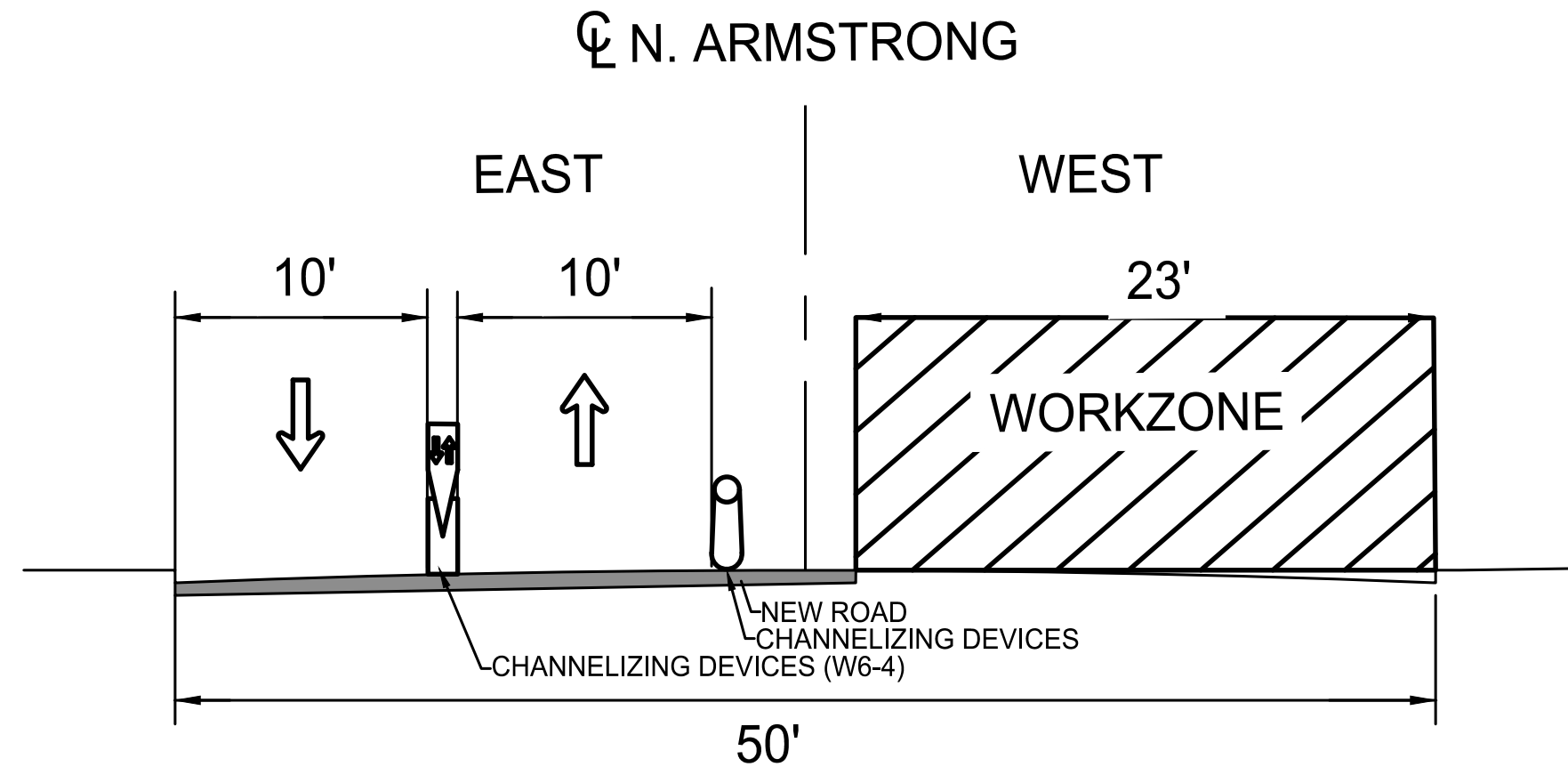
FILE NAME: I:\Projects\2021\City of Kingsville\glo-sw-loc10-sw-n-armstrong-st\1-drawings\2 - civil\TDP\_Cross\_Sections.dwg LAYOUT NAME: XS 1 - PLOTTED: Tuesday, February 04, 2025 - 11:22am USER: martin



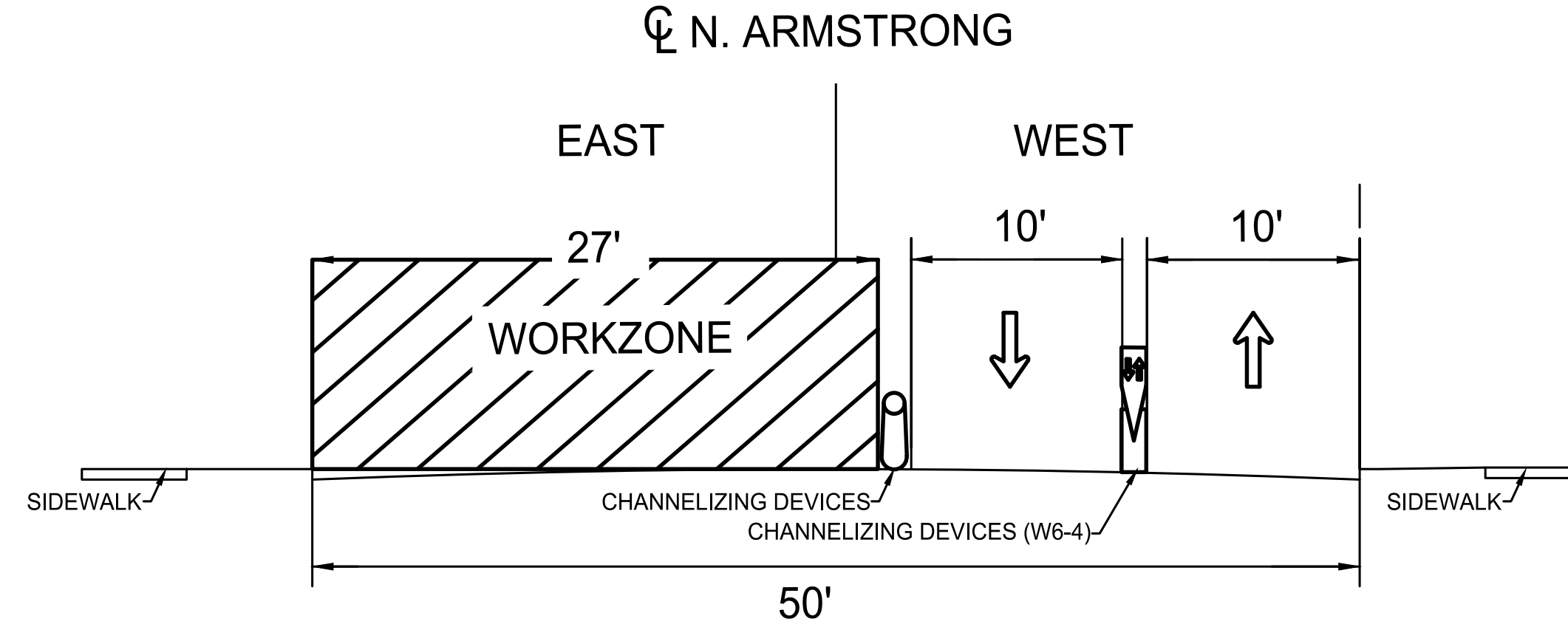
**A** TRAFFIC CONTROL PLAN PHASE 1  
C31 | C31 SCALE: N.T.S.



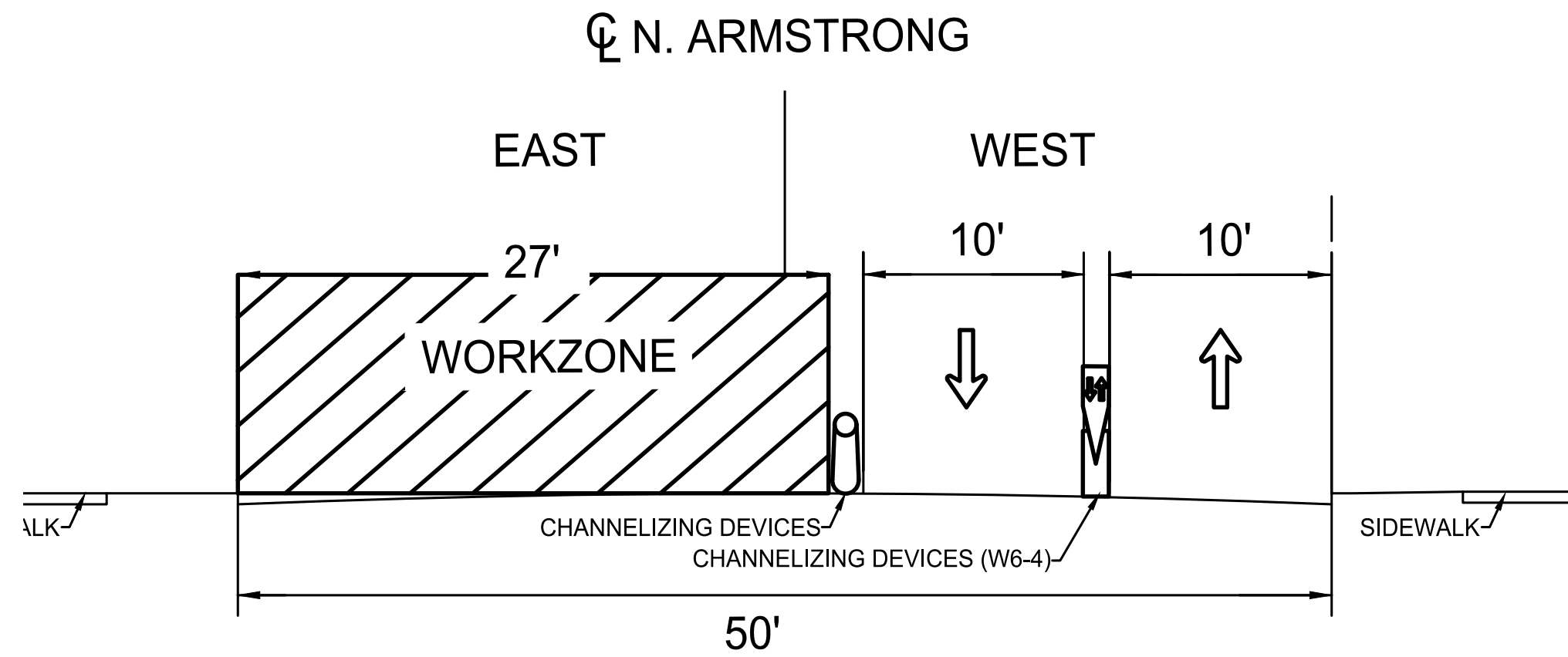
**D** TRAFFIC CONTROL PLAN PHASE 4  
C31 | C31 SCALE: N.T.S.



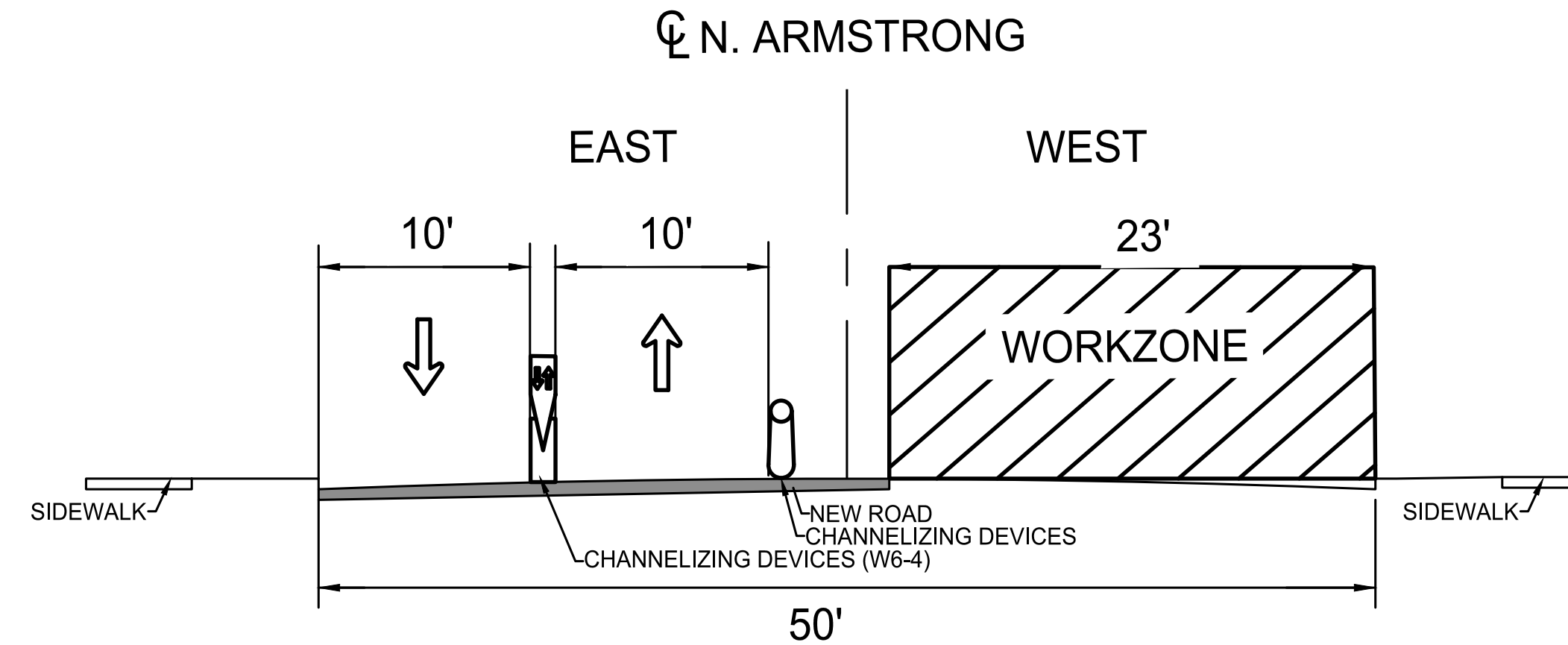
**B** TRAFFIC CONTROL PLAN PHASE 2  
C31 | C31 SCALE: N.T.S.



**E** TRAFFIC CONTROL PLAN PHASE 5  
C31 | C31 SCALE: N.T.S.

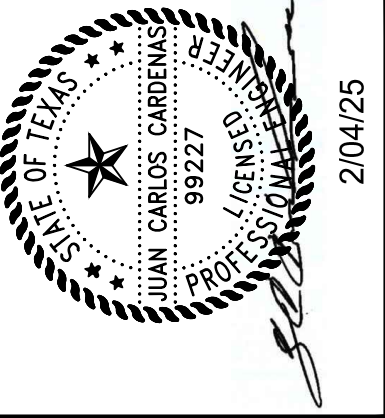


**C** TRAFFIC CONTROL PLAN PHASE 3  
C31 | C31 SCALE: N.T.S.



**F** TRAFFIC CONTROL PLAN PHASE 6  
C31 | C31 SCALE: N.T.S.

CONSULTANT'S SHEET  
PROJECT NO. 21107-01B



2/04/25



INTERNATIONAL CONSULTING ENGINEERS  
261 SARATOGA BLVD.  
CORPUS CHRISTI, TX 78417  
PHONE: 361.926.5805  
FAX: 361.926.5806  
I.C.E. FIRM REGISTRATION #F-10837



**CITY OF KINGSVILLE GLO SW PROJECT 10**  
**(N. ARMSTRONG ST.) STORM WATER IMPROVEMENTS**  
KINGSVILLE, KLEBERG COUNTY, TEXAS

TRAFFIC CONTROL PLAN CROSS SECTION I

REVISION NO.	DATE	BY	DESCRIPTION
Δ	02-04-25	JCC	REV. 1

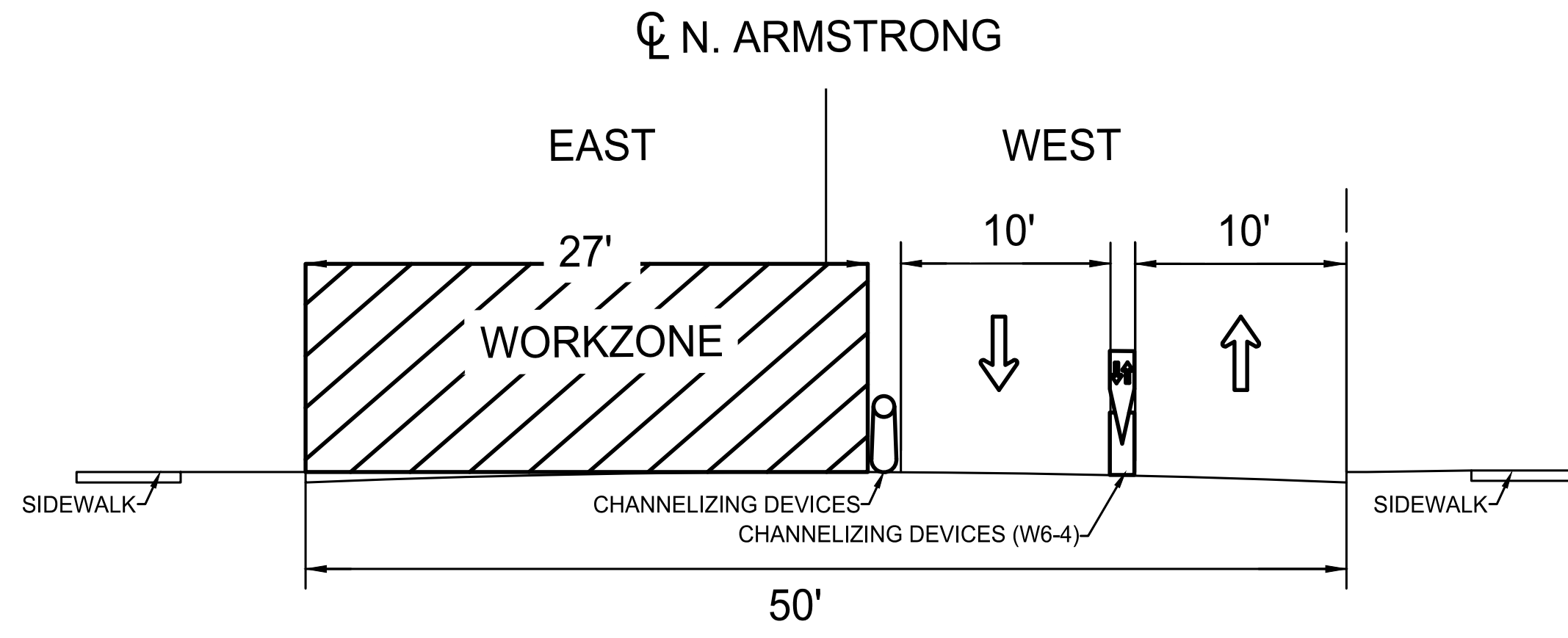
DRAWING NO.

**C31**

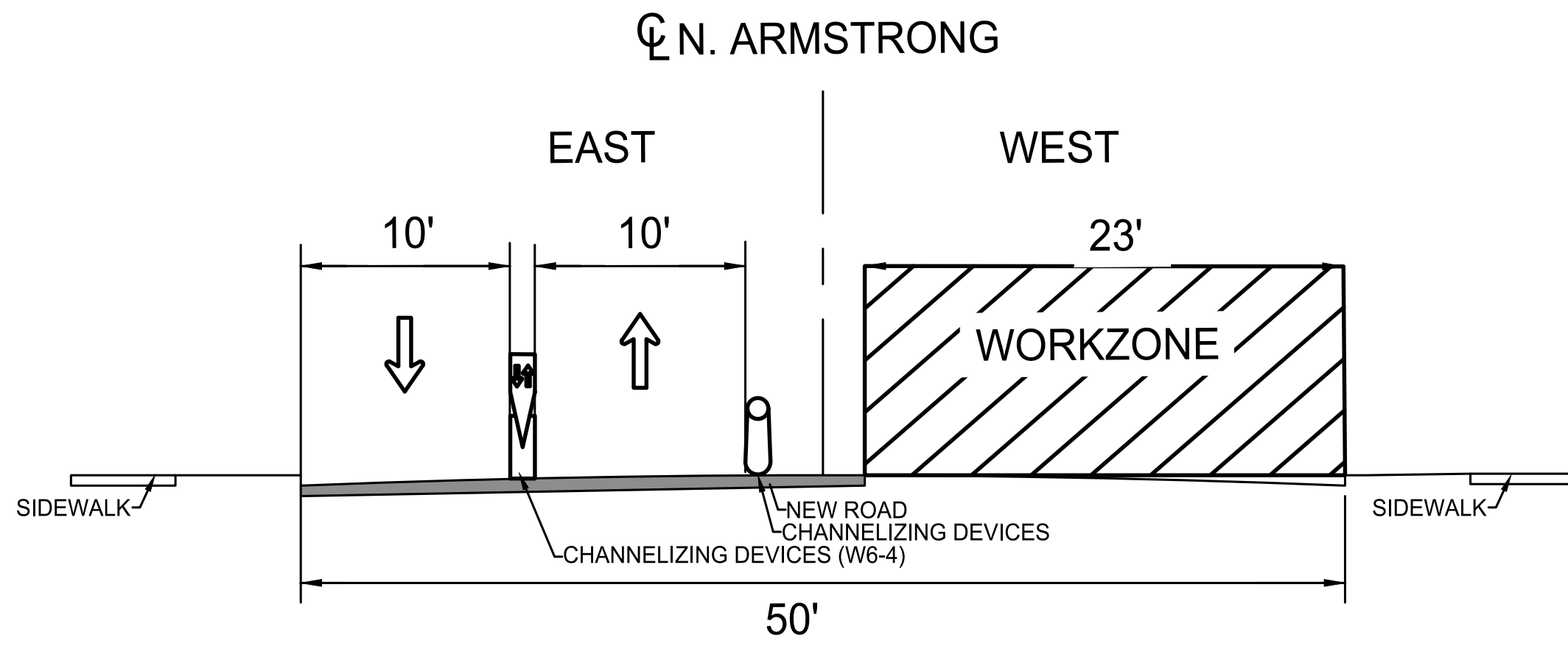
SHEET 32 of 56



FILE NAME: I:\Projects\2021\City of Kingsville\glo-sw n. armstrong-st\1-drawings\2 - civil\TDF Cross Sections.dwg LAYOUT NAME: XS 2 - PLOTTED: Tuesday, February 04, 2025 - 11:22am USER: martin

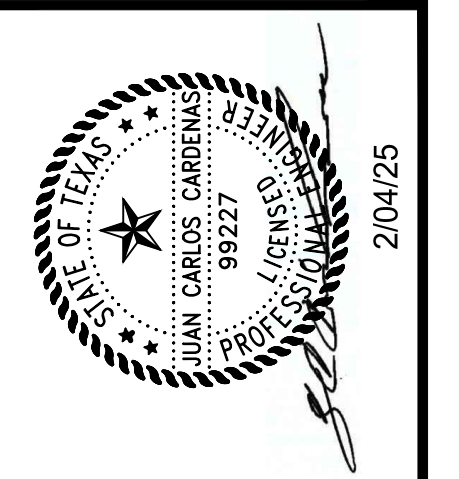


**G** TRAFFIC CONTROL PLAN PHASE 7  
C32 C32 SCALE: N.T.S.



**H** TRAFFIC CONTROL PLAN PHASE 8  
C32 C32 SCALE: N.T.S.

CONSULTANT'S SHEET  
PROJECT NO. 21107-01B



**ICE**  
INTERNATIONAL CONSULTING ENGINEERS  
261 SARATOGA BLVD.  
CORPUS CHRISTI, TX 78417  
PHONE: 361.926.5805  
FAX: 361.926.5806  
I.B.P.E. FIRM REGISTRATION #F-10837



**CITY OF KINGSVILLE GLO SW PROJECT 10  
(N. ARMSTRONG ST.) STORM WATER IMPROVEMENTS**  
KINGSVILLE, KLEBERG COUNTY, TEXAS

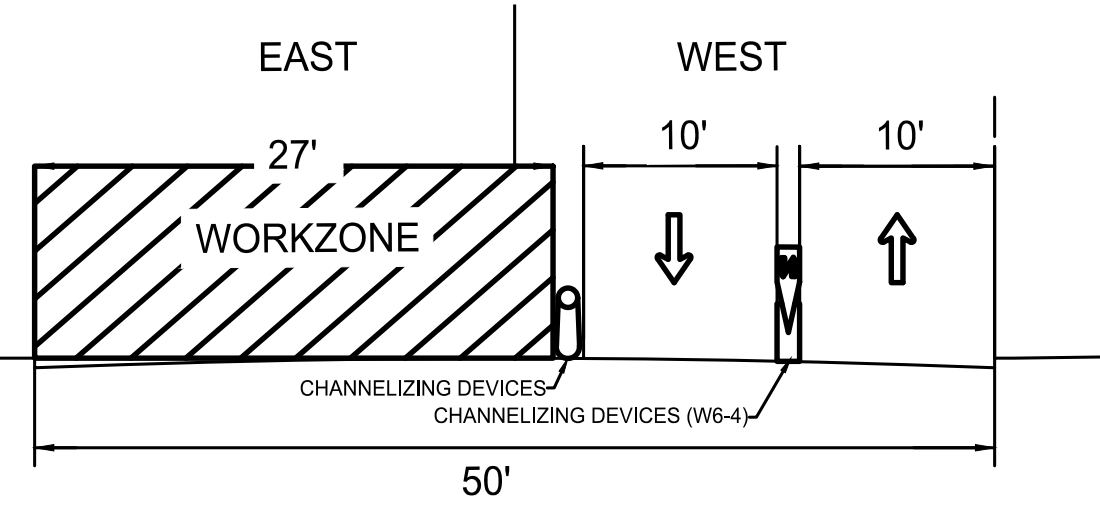
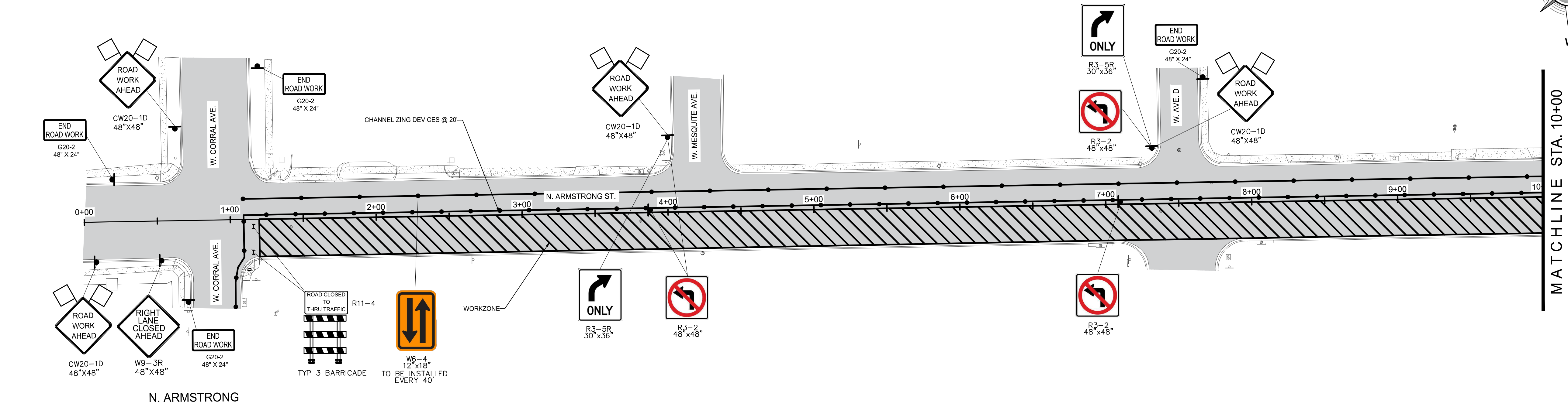
TRAFFIC CONTROL PLAN CROSS SECTION II

REVISION NO.	DATE	BY	DESCRIPTION
△	02-04-25	JCC	REV. 1

DRAWING NO.  
**C32**

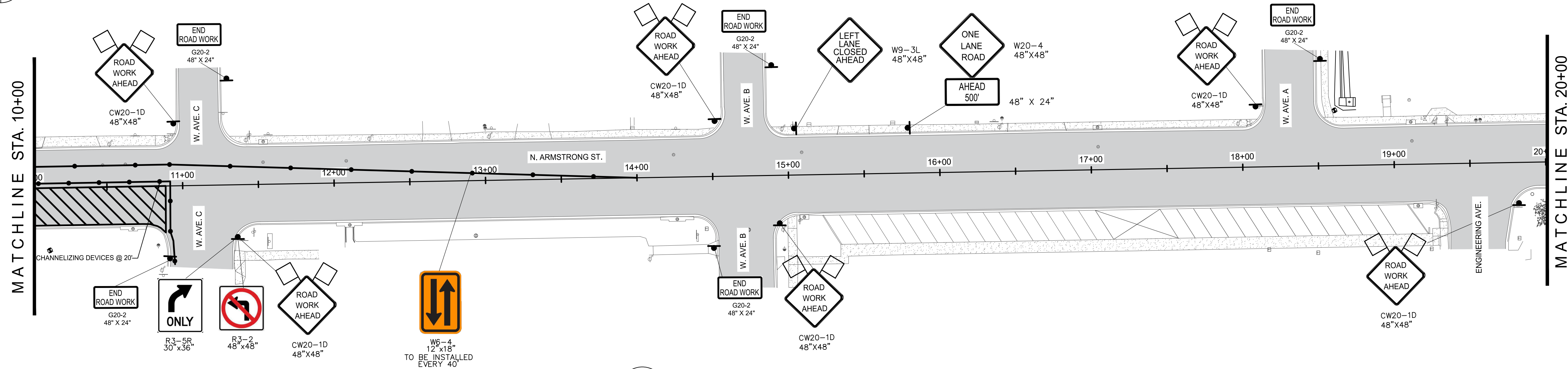
SHEET 33 of 56

FILE NAME: I:\Projects\2021\City of Kingsville\GLO-LOC10 SW N. ARMSTRONG ST\1 - Traffic Control PHASE 1.dwg LAYOUT NAME: Layout1 - PLOTTED: Tuesday, February 04, 2025 - 11:22am USER: martin



**A** PHASE 1 CROSS SECTION  
SCALE: N.T.S.

**1** TRAFFIC CONTROL PLAN PHASE I  
SCALE: N.T.S.

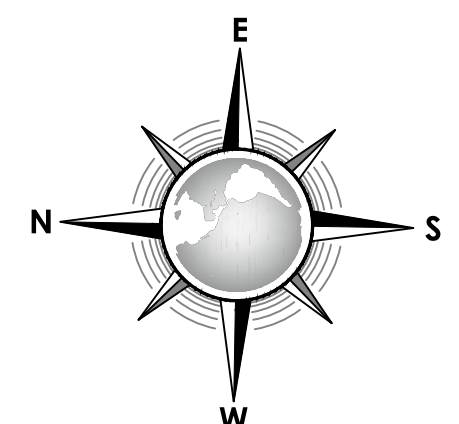
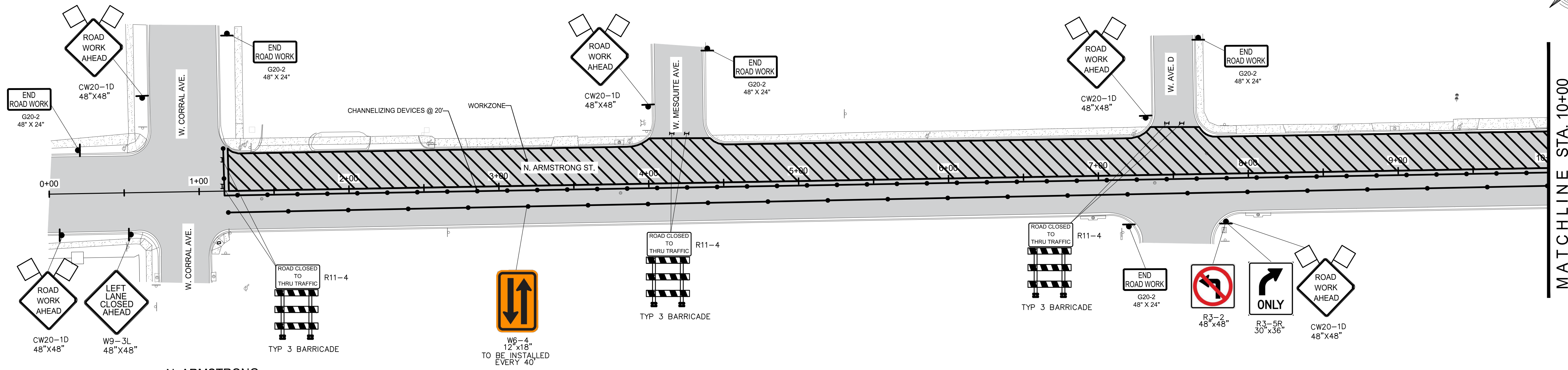


**2** TRAFFIC CONTROL PLAN PHASE I  
SCALE: N.T.S.

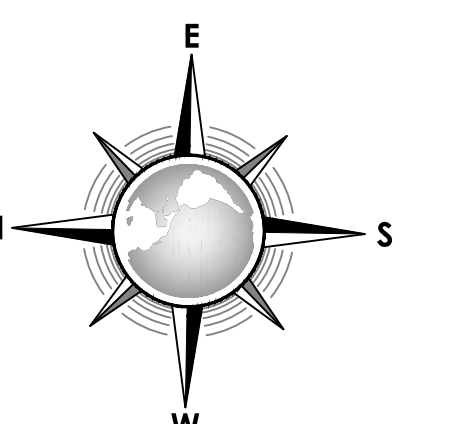
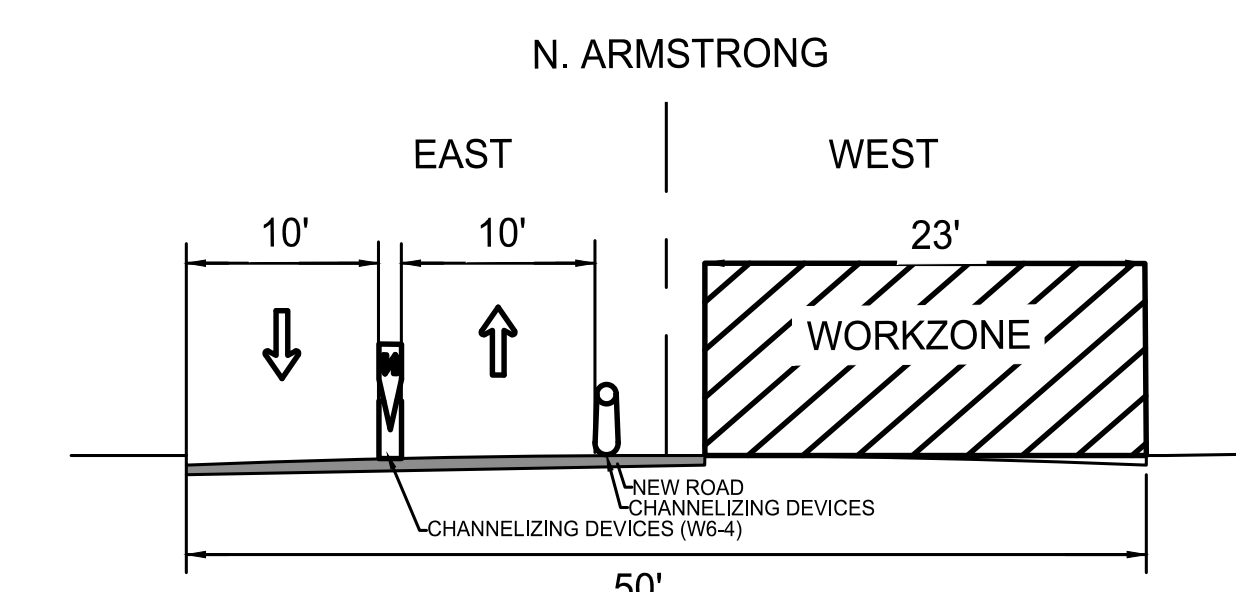
CONSULTANT'S SHEET PROJECT NO. 21107-01B	
REVISION NO.	DATE
BY	DESCRIPTION
<b>CITY OF KINGSVILLE GLO SW PROJECT 10 (N. ARMSTRONG ST.) STORM WATER IMPROVEMENTS</b> KINGSVILLE, KLEBERG COUNTY, TEXAS	
<b>TRAFFIC CONTROL PLAN PHASE I</b>	
REV. 1	JCC
DATE	BY
02-04-25	JCC
DRAWING NO.	
<b>C33</b>	
SHEET 34 of 56	



FILE NAME: I:\Projects\2021\City of Kingsville\glo-sw\loc10-sw-n-armstrong-st\Traffic Control Phase 2.dwg LAYOUT NAME: Layout1 PLOTTED: Tuesday, February 04, 2025 11:23am USER: martin

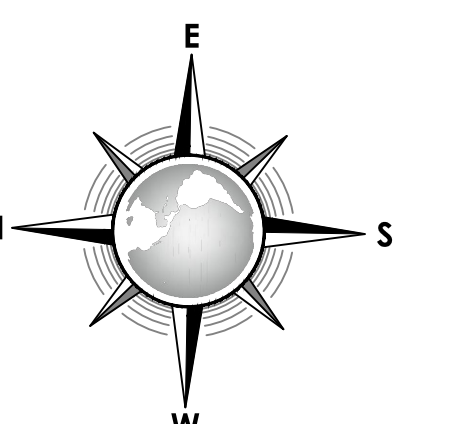
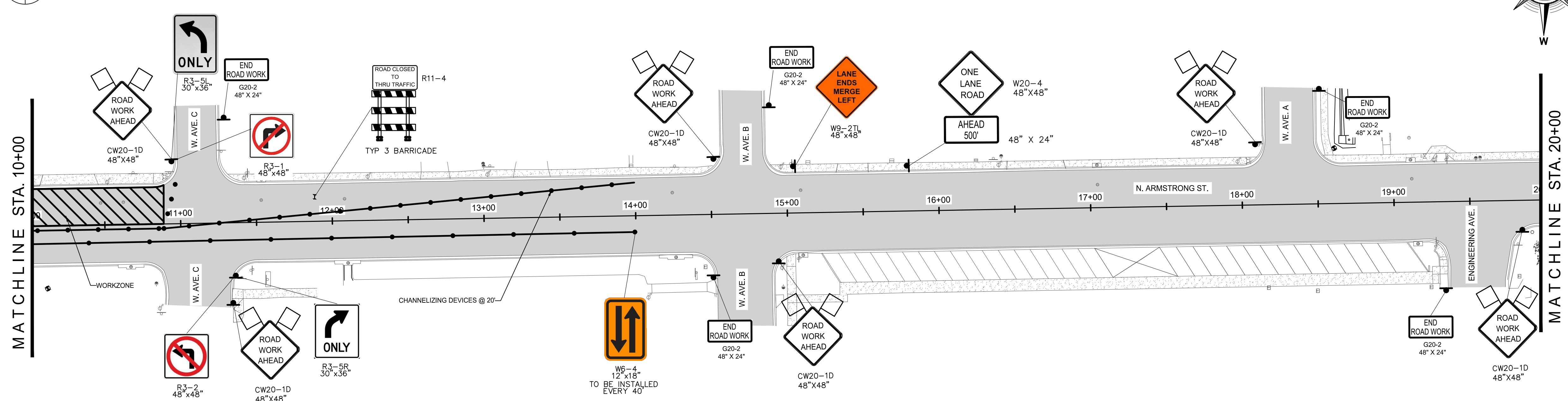


MATCHLINE STA. 10+00



**1** TRAFFIC CONTROL PLAN PHASE II  
SCALE: N.T.S.

**B** PHASE 2 CROSS SECTION  
SCALE: N.T.S.



MATCHLINE STA. 20+00

**2** TRAFFIC CONTROL PLAN PHASE II  
SCALE: N.T.S.

CONSULTANT'S SHEET  
PROJECT NO. 21107-01B



**IOE**  
INTERNATIONAL CONSULTING ENGINEERS  
261 SARATOGA BLVD.  
CORPUS CHRISTI, TX 78417  
PHONE: 361.926.5805  
FAX: 361.926.5806  
I.B.P.E. FIRM REGISTRATION #F-10837



**CITY OF KINGSVILLE GLO SW PROJECT 10  
(N. ARMSTRONG ST.) STORM WATER IMPROVEMENTS**  
KINGSVILLE, KLEBERG COUNTY, TEXAS

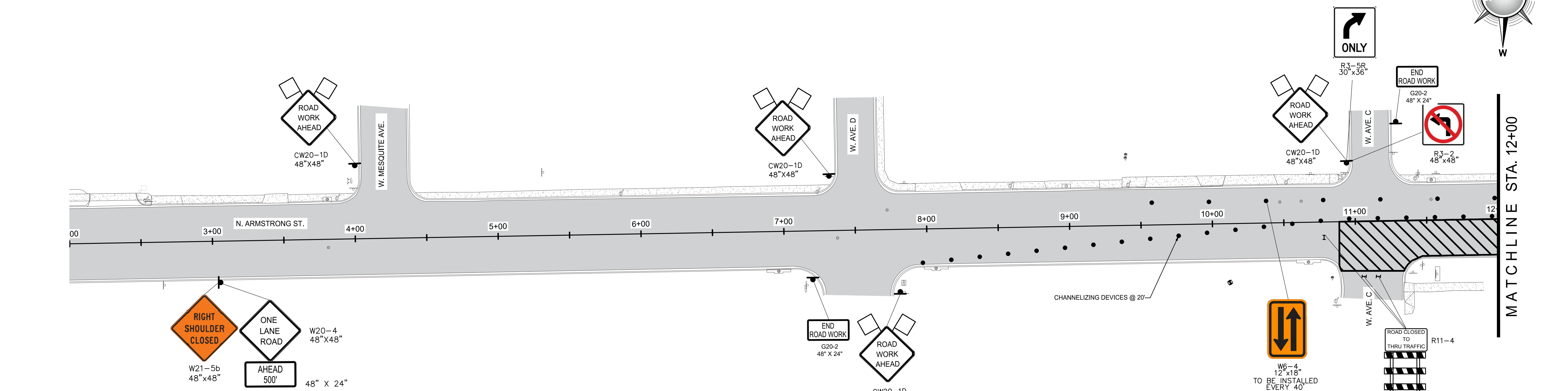
TRAFFIC CONTROL PLAN PHASE II

REVISION NO.	DATE	BY	DESCRIPTION
REV. 1	02-04-25	JCC	

DRAWING NO.  
**C34**  
SHEET 35 of 56

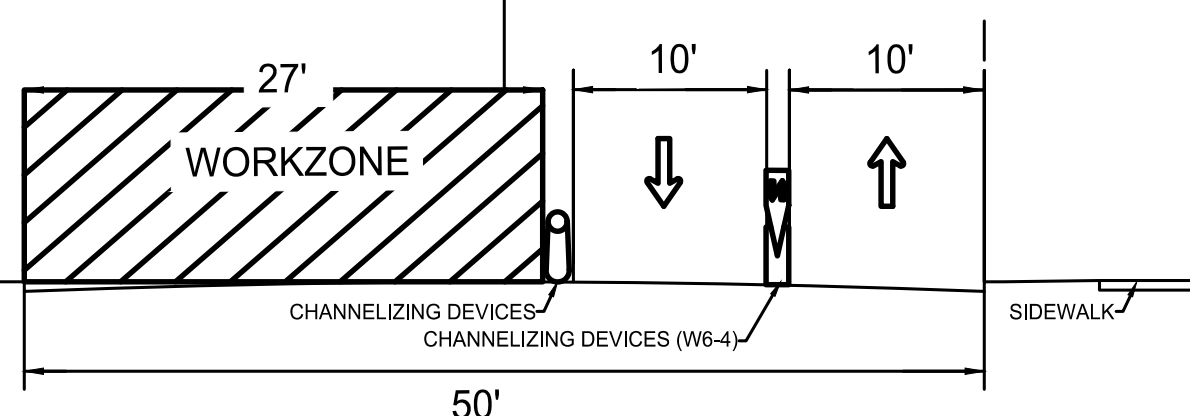


FILE NAME: I:\Projects\2021\city of kingsville\glo-sw\loc10\_sw\_n\_armstrong.st\Traffic Control Phase 3.dwg LAYOUT NAME: PHASE 3 (1) PLOTTED: Tuesday, February 04, 2025 - 11:24am USER: martin



N. ARMSTRONG

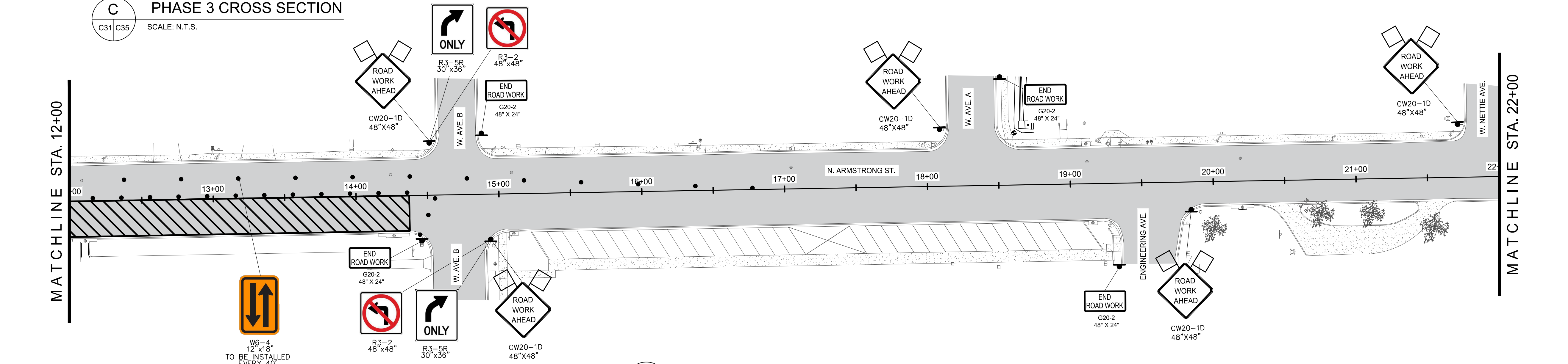
EAST WEST



PHASE 3 CROSS SECTION

C31 C35 SCALE: N.T.S.

1 TRAFFIC CONTROL PLAN PHASE III  
C35 C35 SCALE: N.T.S.



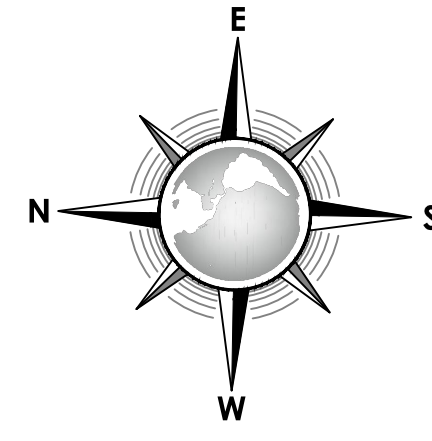
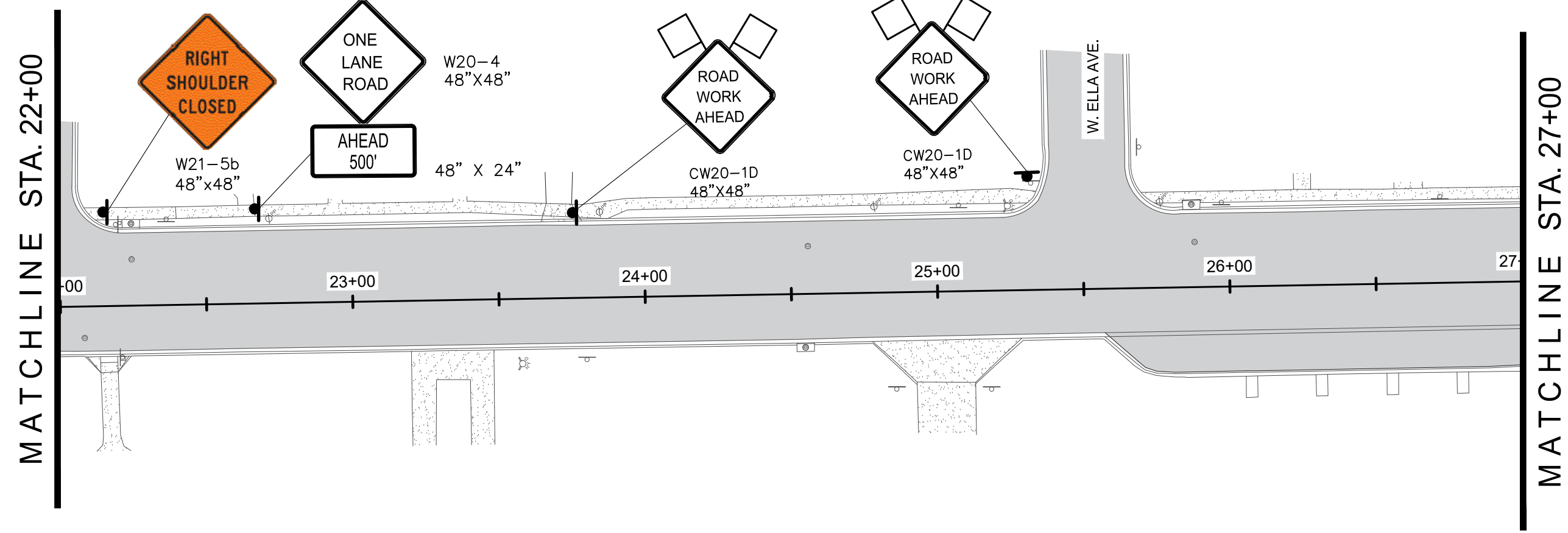
2 TRAFFIC CONTROL PLAN PHASE III

C35 C35 SCALE: N.T.S.

CONSULTANT'S SHEET PROJECT NO. 21107-01B	
INTERNATIONAL CONSULTING ENGINEERS 261 SARATOGA BLVD. CORPUS CHRISTI, TX 78417 PHONE: 361.926.5805 FAX: 361.926.5806 I.B.P.E. FIRM REGISTRATION #F-10837	
DATE	2/04/25
REVISION NO.	
DESCRIPTION	
BY	
DATE	
REVISION NO.	
DESCRIPTION	
CITY OF KINGSVILLE GLO SW PROJECT 10 (N. ARMSTRONG ST.) STORM WATER IMPROVEMENTS KINGSVILLE, KLEBERG COUNTY, TEXAS	
TRAFFIC CONTROL PLAN PHASE III	
JCC	REV. 1
DATE	02-04-25
BY	
DATE	
DESCRIPTION	
DRAWING NO.	
C35	
SHEET 36 of 56	



FILE NAME: I:\Projects\2021\City of Kingsville\glo-sw loc10 sw n armstrong st\1- drawings\2 - cwi\C18 - Traffic Control Phase 3.dwg LAYOUT NAME: PHASE 3 (2) - PLOTTED: Tuesday, February 04, 2025 - 11:24am USER: martin

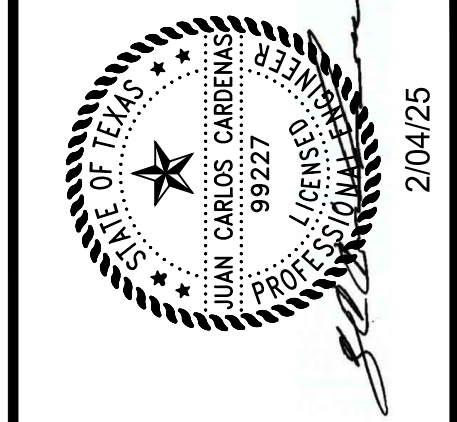


1 TRAFFIC CONTROL PLAN PHASE IV  
 C36 C36 SCALE: N.T.S.

CONSULTANT'S SHEET PROJECT NO. 21107-01B	
<b>CITY OF KINGSVILLE GLO SW PROJECT 10</b> <b>(N. ARMSTRONG ST.) STORM WATER IMPROVEMENTS</b> KINGSVILLE, KLEBERG COUNTY, TEXAS	
TRAFFIC CONTROL PLAN PHASE IV	
REVISION NO.	DESCRIPTION
02-04-25 DATE	REV. 1 DESCRIPTION
JCC BY	BY
DRAWING NO. <b>C36</b>	SHEET <b>37</b> of <b>56</b>

FILE NAME: I:\Projects\2021\City of Kingsville\glo-sw\loc10\_sw\_n\_armstrong.st\Traffic Control Phase 4.dwg LAYOUT NAME: PHASE 4 (1) PLOTTED: Tuesday, February 04, 2025 11:25am USER: martin

CONSULTANT'S SHEET  
PROJECT NO. 21107-01B

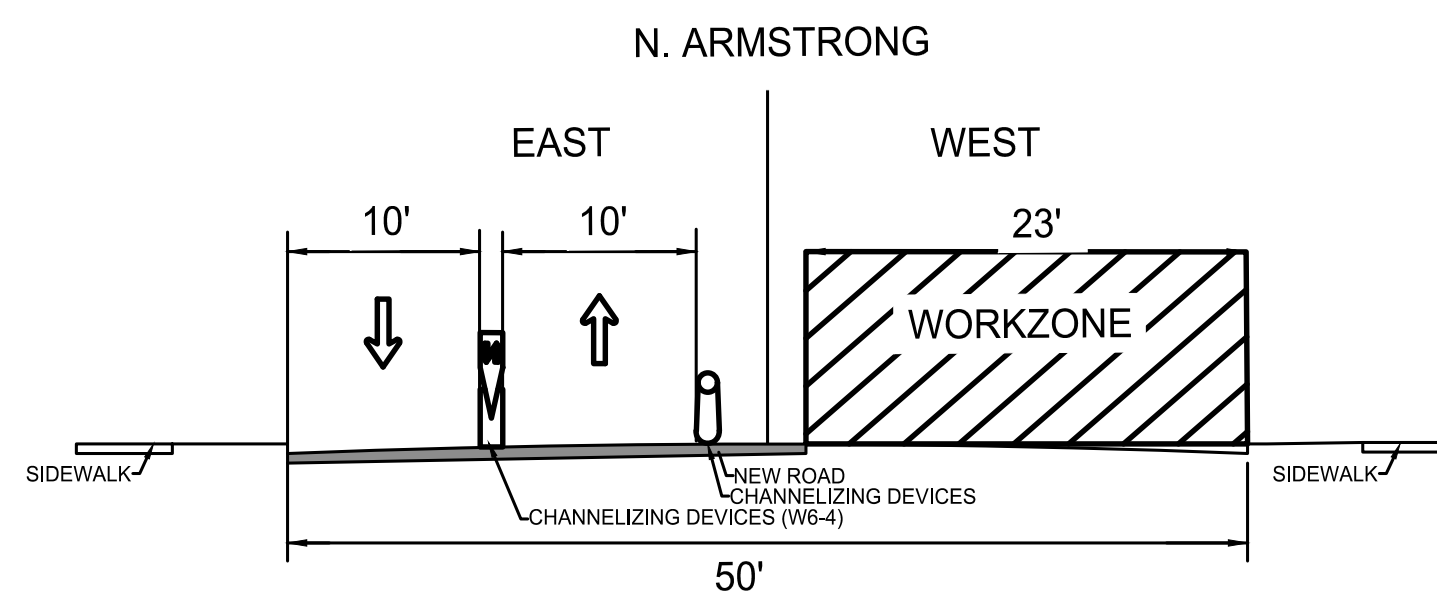
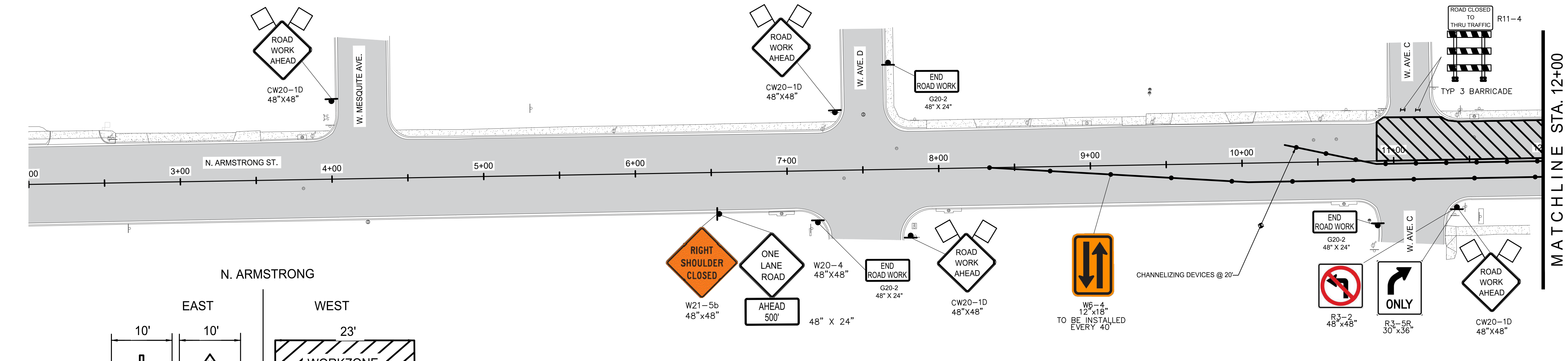
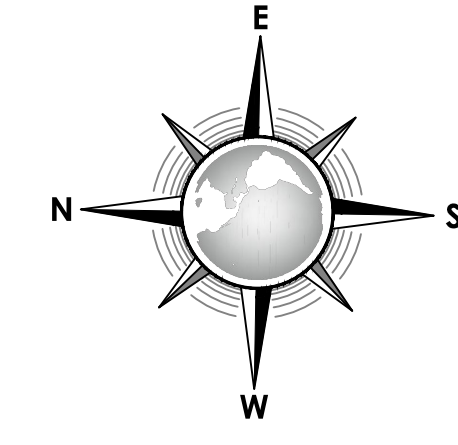
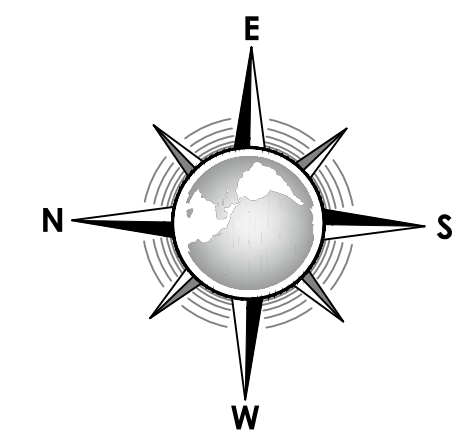


**IOE**  
INTERNATIONAL CONSULTING ENGINEERS  
261 SARATOGA BLVD.  
CORPUS CHRISTI, TX 78417  
PHONE: 361.926.5905  
FAX: 361.926.5906  
I.C.E. FIRM REGISTRATION #F-10837

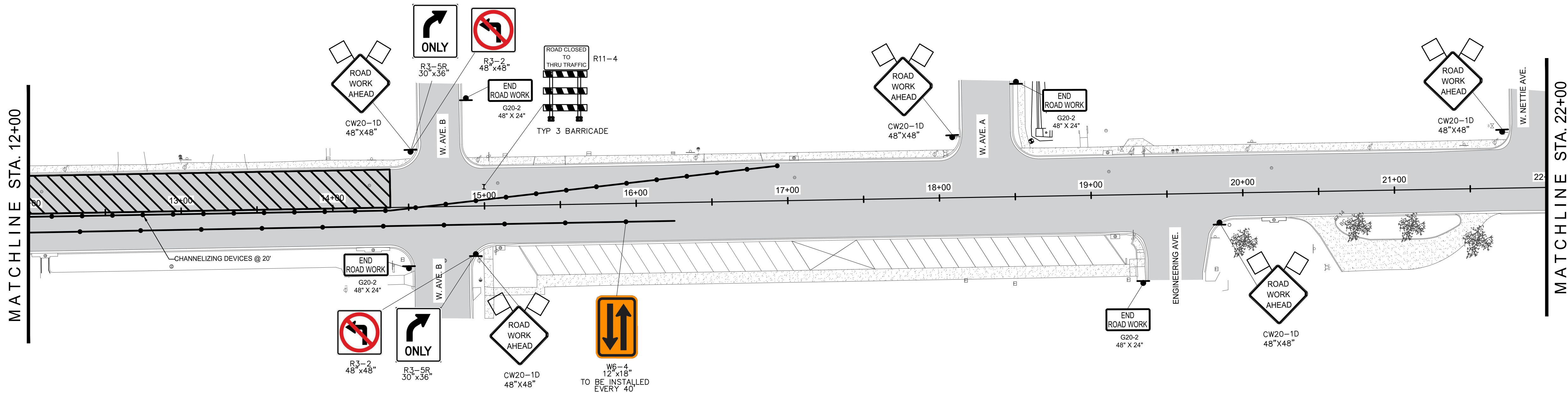


**CITY OF KINGSVILLE GLO SW PROJECT 10  
(N. ARMSTRONG ST.) STORM WATER IMPROVEMENTS**  
KINGSVILLE, KLEBERG COUNTY, TEXAS

DRAWING NO.  
**C37**  
SHEET 38 of 56



**1** TRAFFIC CONTROL PLAN PHASE V  
SCALE: N.T.S.

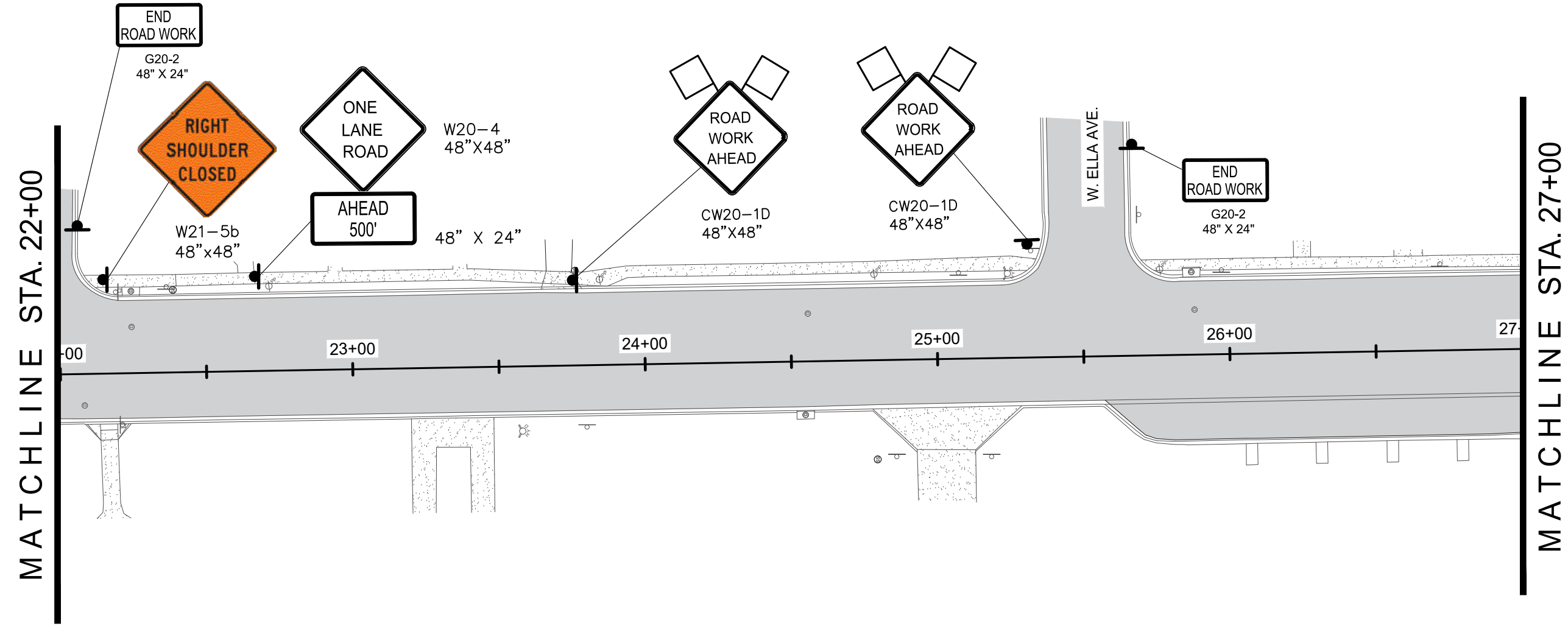


**2** TRAFFIC CONTROL PLAN PHASE V  
SCALE: N.T.S.

REVISION NO.	DATE	BY	DESCRIPTION
02-04-25		JCC	
REV. 1			



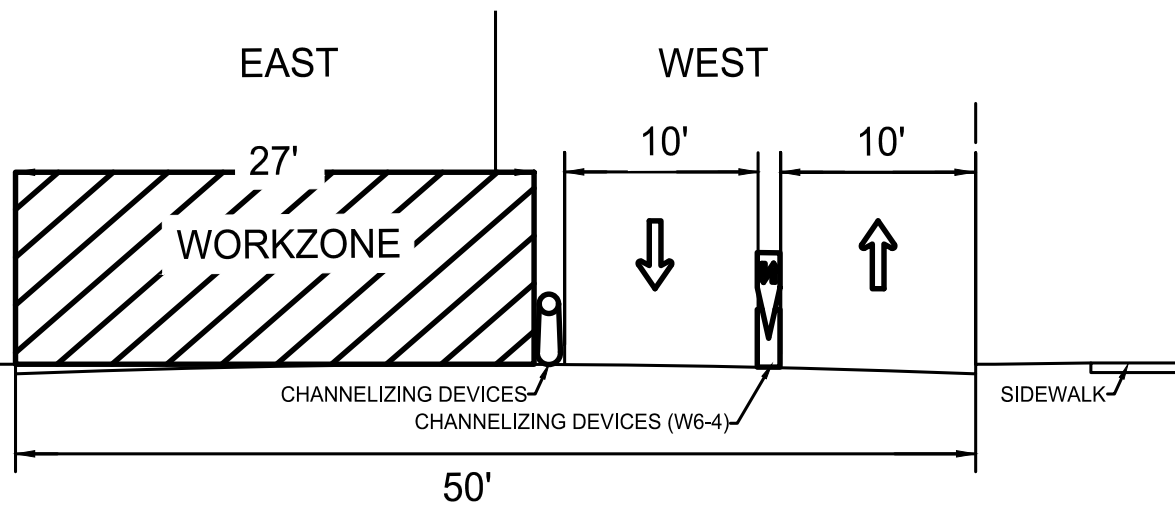
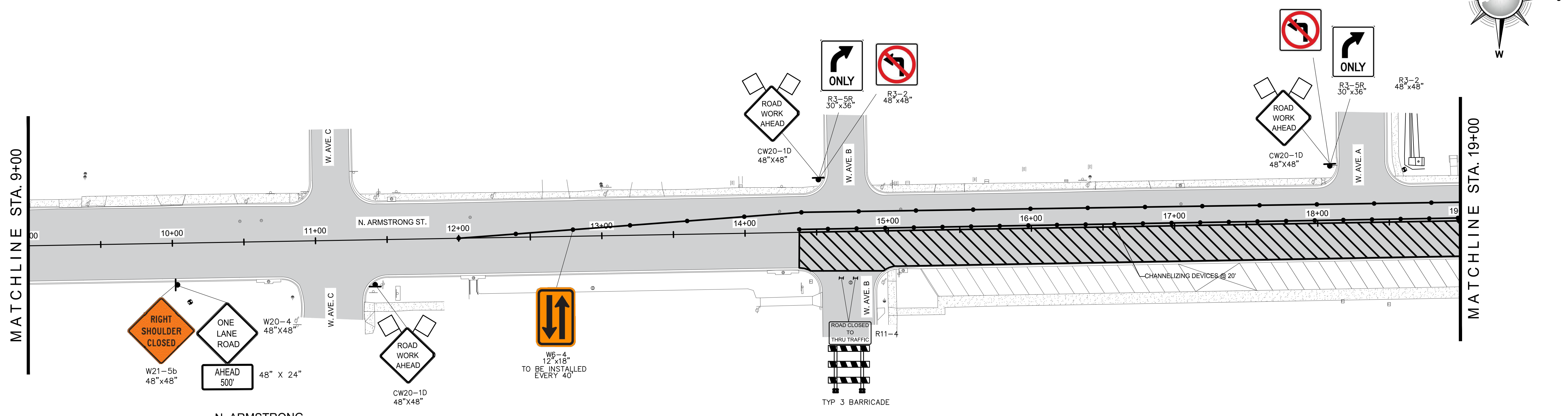
FILE NAME: I:\Projects\2021\City of Kingsville\glo-sw\loc10\_sw\_n\_armstrong.st\1-drawings\2 - cwi\C18 - Traffic Control Phase 4.dwg LAYOUT NAME: PHASE 4 (2) - PLOTTED: Tuesday, February 04, 2025 - 11:25am USER: martin



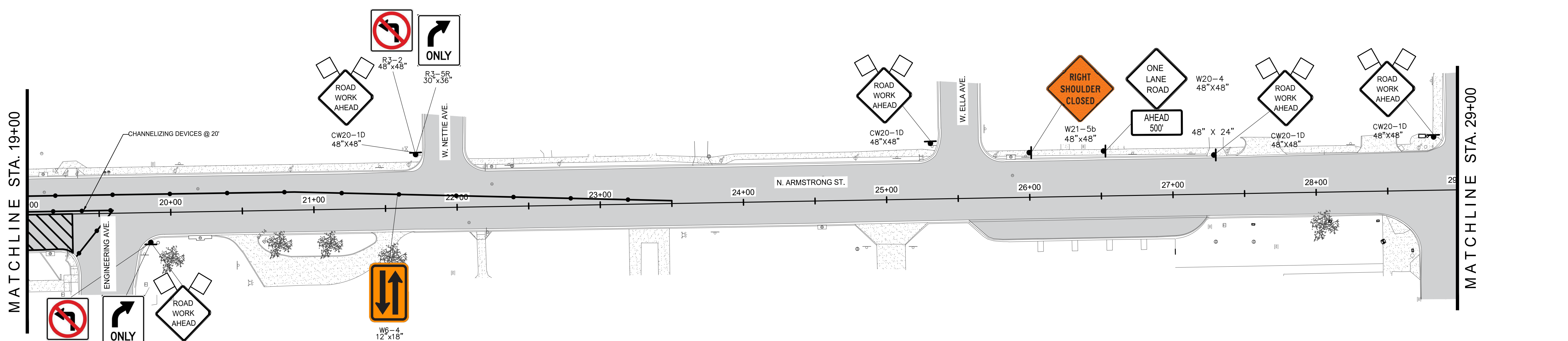
1 TRAFFIC CONTROL PLAN PHASE VI  
 C38 C38 SCALE: N.T.S.

REVISION NO.		JCC BY		DATE		REVISION NO.		DATE		BY		DESCRIPTION			
REV. 1		JCC BY		02-04-25		1		02-04-25		JCC BY		DESCRIPTION			
CITY OF KINGSVILLE GLO SW PROJECT 10 (N. ARMSTRONG ST.) STORM WATER IMPROVEMENTS KINGSVILLE, KLEBERG COUNTY, TEXAS															
TRAFFIC CONTROL PLAN PHASE VI														INTERNATIONAL CONSULTING ENGINEERS 261 SARATOGA BLVD. CORPUS CHRISTI, TX 78417 PHONE: 361.926.5805 FAX: 361.926.5806 I.B.P.E. FIRM REGISTRATION #F-10837	
DRAWING NO. <h1>C38</h1>												SHEET 39 of 56		CONSULTANT'S SHEET PROJECT NO. 21107-01B	

FILE NAME: I:\Projects\2021\City of Kingsville\glo-sw-loc10-sw-n-armstrong-st\1- drawings\2 - civil\C39 - Traffic Control Phase 5.dwg LAYOUT NAME: PHASE 5 (1) PLOTTED: Tuesday, February 04, 2025 - 11:26am USER: martin



**1** TRAFFIC CONTROL PLAN PHASE VII  
SCALE: N.T.S.

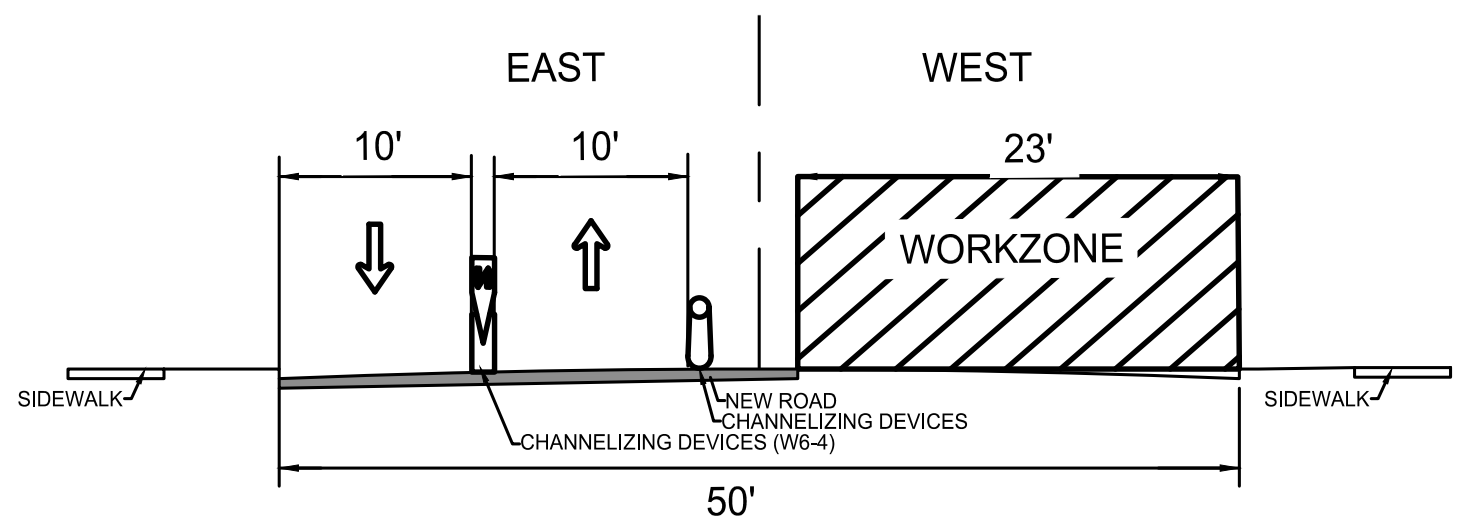
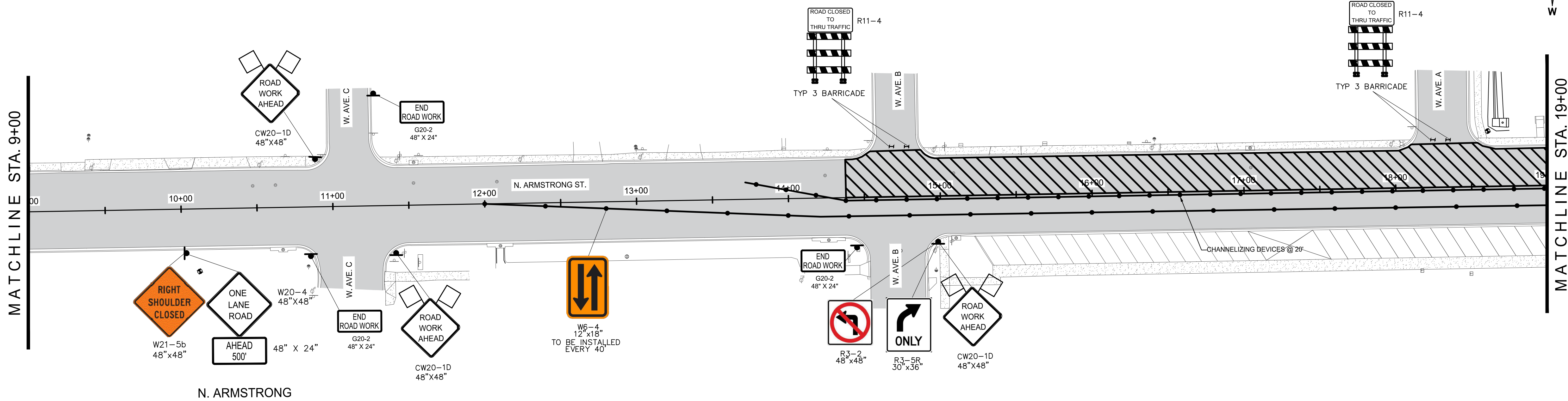


**2** TRAFFIC CONTROL PLAN PHASE VII  
SCALE: N.T.S.

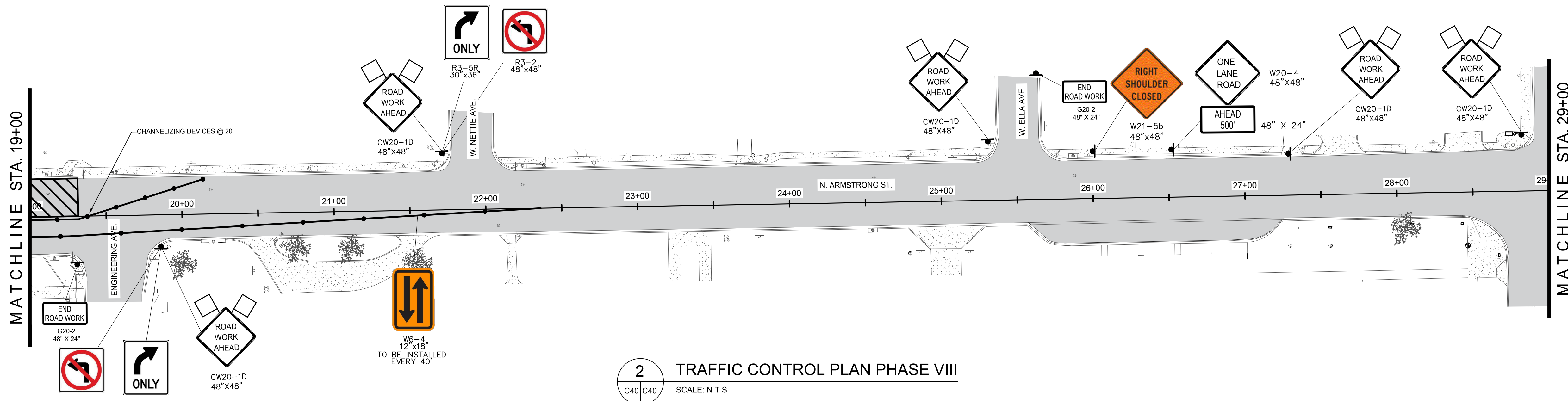
CONSULTANT'S SHEET PROJECT NO. 21107-01B			
		INTERNATIONAL CONSULTING ENGINEERS 261 SARATOGA BLVD. CORPUS CHRISTI, TX 78417 PHONE: 361.926.5805 FAX: 361.926.5806 I.C.E. FIRM REGISTRATION #F-10837	
		CITY OF KINGSVILLE (N. ARMSTRONG ST.) STORM WATER IMPROVEMENTS KINGSVILLE, KLEBERG COUNTY, TEXAS	
TRAFFIC CONTROL PLAN PHASE VII		TRAFFIC CONTROL PLAN PHASE VII	
REVISION NO.	DATE	BY	DESCRIPTION
△	02-04-25	JCC	REV. 1
DRAWING NO. <b>C39</b>			
SHEET 40 of 56			



FILE NAME: I:\Projects\2021\City of Kingsville\glo-sw\loc10\_sw\_n\_armstrong.st\Traffic Control Plan Phase VIII.dwg - LAYOUT NAME: PHASE 6 (1) - PLOTTED: Tuesday, February 04, 2025 - 11:26am USER: martin

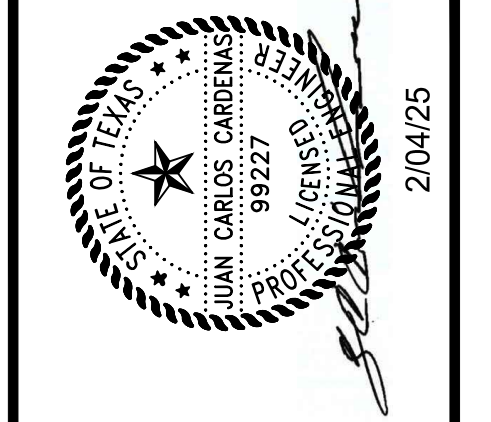


**1** TRAFFIC CONTROL PLAN PHASE VIII  
SCALE: N.T.S.



**2** TRAFFIC CONTROL PLAN PHASE VIII  
SCALE: N.T.S.

CONSULTANT'S SHEET  
PROJECT NO. 21107-01B



**IOE**  
INTERNATIONAL CONSULTING ENGINEERS  
261 SARATOGA BLVD.  
CORPUS CHRISTI, TX 78417  
PHONE: 361.926.5805  
FAX: 361.926.5806  
I.C.E. FIRM REGISTRATION #F-10837



**CITY OF KINGSVILLE GLO SW PROJECT 10  
(N. ARMSTRONG ST.) STORM WATER IMPROVEMENTS**  
KINGSVILLE, KLEBERG COUNTY, TEXAS

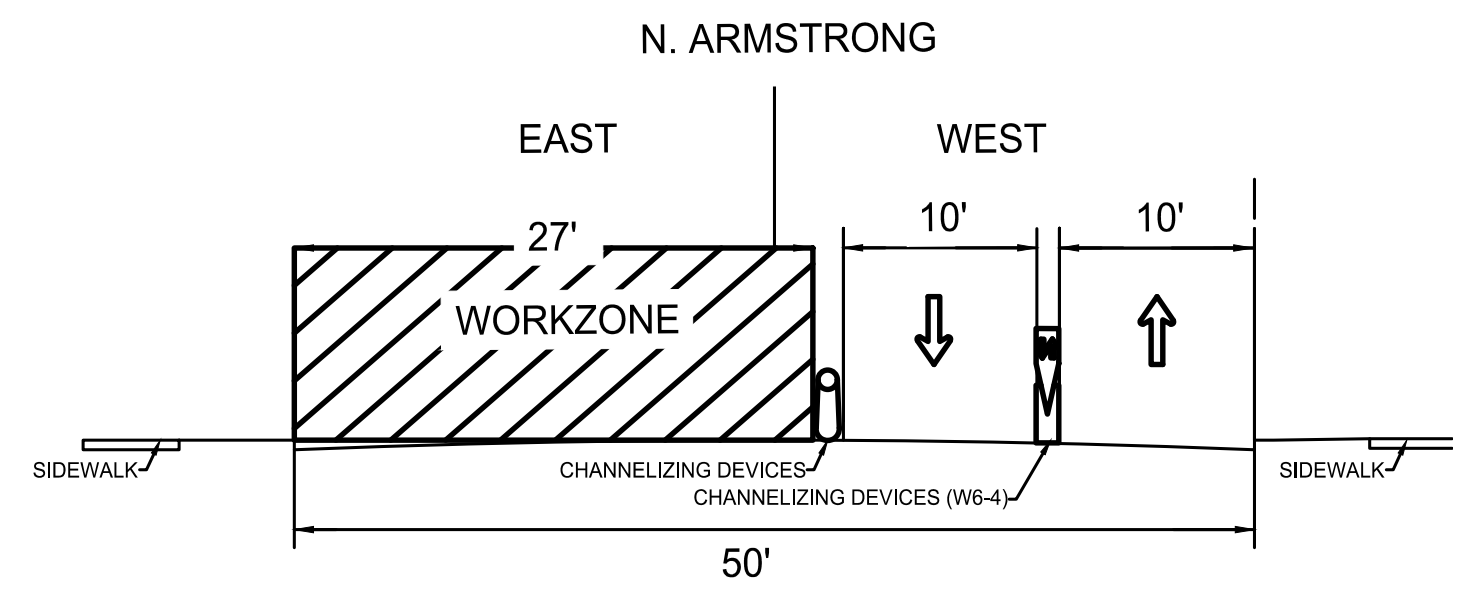
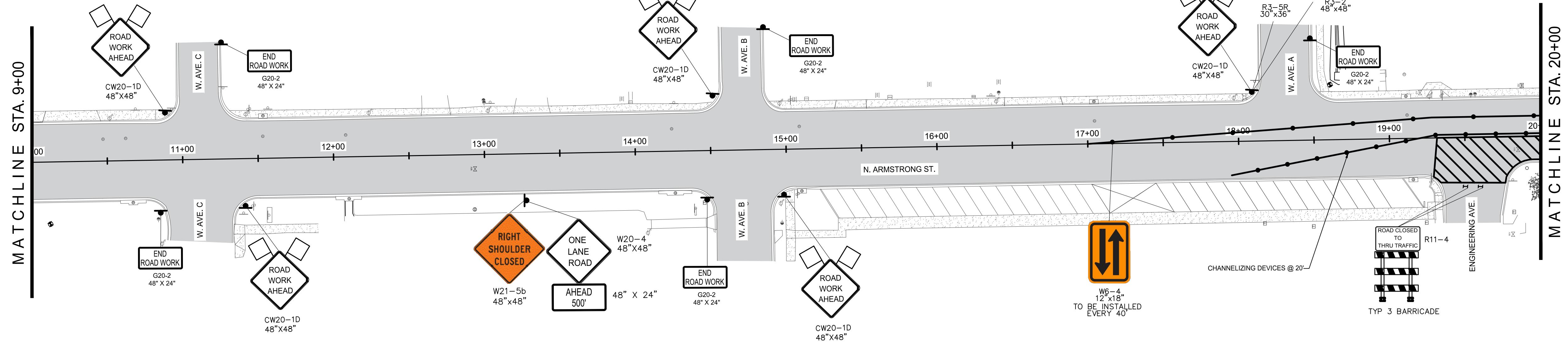
DRAWING NO.  
**C40**  
SHEET 41 of 56

REVISION NO.	DATE	BY	DESCRIPTION
REV. 1	02-04-25	JCC	

TRAFFIC CONTROL PLAN PHASE VIII

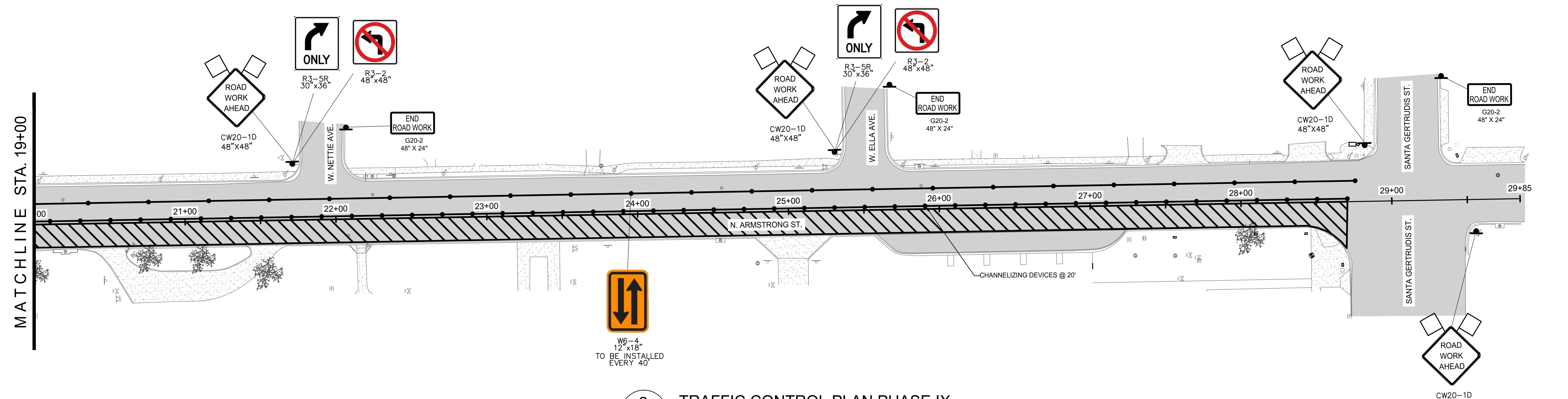


FILE NAME: I:\Projects\2021\City of Kingsville\glo-sw-loc10-sw-n-armstrong-st\Traffic Control Plan Phase 7.dwg LAYOUT NAME: PHASE 7 - PLOTTED: Tuesday, February 04, 2025 - 11:27am USER: martin



**1** TRAFFIC CONTROL PLAN PHASE IX  
SCALE: N.T.S.

**G** PHASE 7 CROSS SECTION  
SCALE: N.T.S.

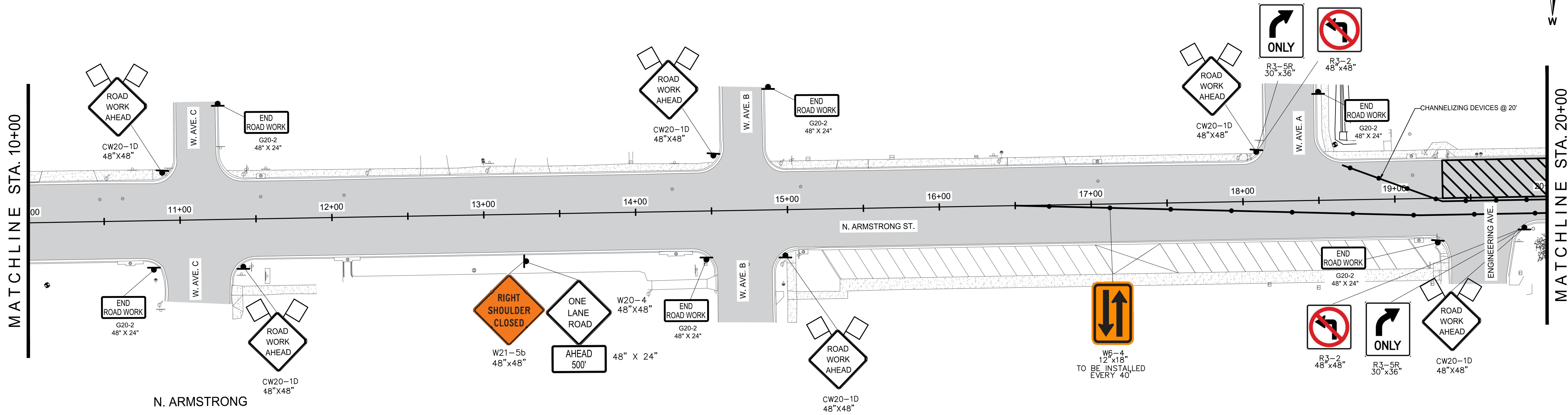


**2** TRAFFIC CONTROL PLAN PHASE IX  
SCALE: N.T.S.

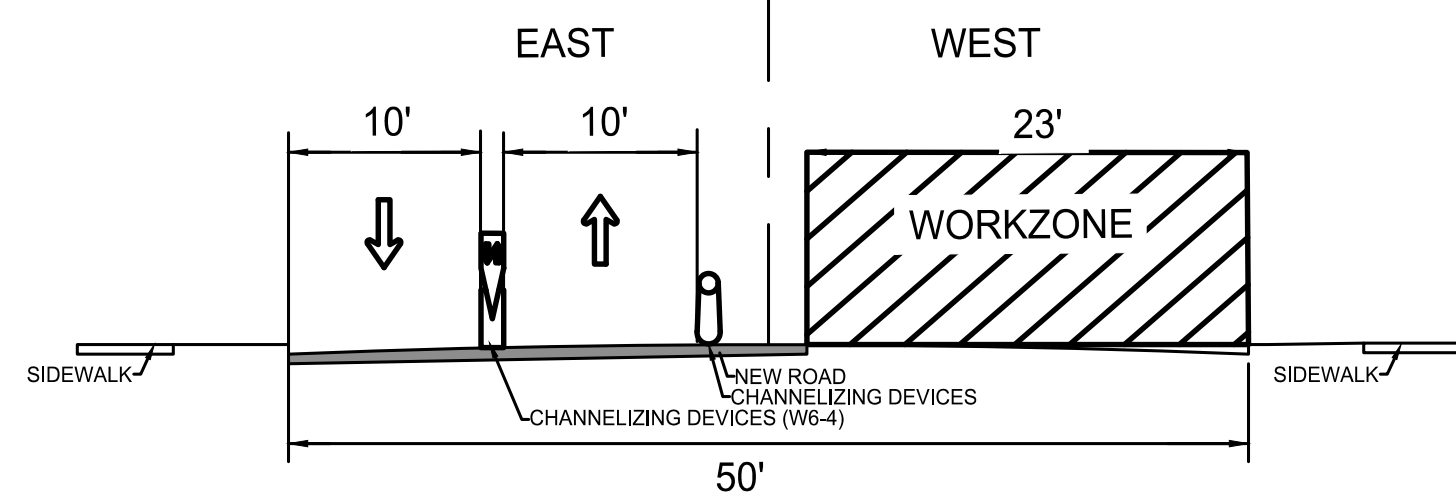
CONSULTANT'S SHEET PROJECT NO. 21107-01B	
DESCRIPTION	BY
REVISION NO.	DATE
<b>CITY OF KINGSVILLE GLO SW PROJECT 10 (N. ARMSTRONG ST.) STORM WATER IMPROVEMENTS</b> KINGSVILLE, KLEBERG COUNTY, TEXAS	
<b>TRAFFIC CONTROL PLAN PHASE IX</b>	
REVISION NO.	DESCRIPTION
JCC	REV. 1
DATE	BY
02-04-25	JCC
DRAWING NO.	
<b>C41</b>	
SHEET 42 of 56	



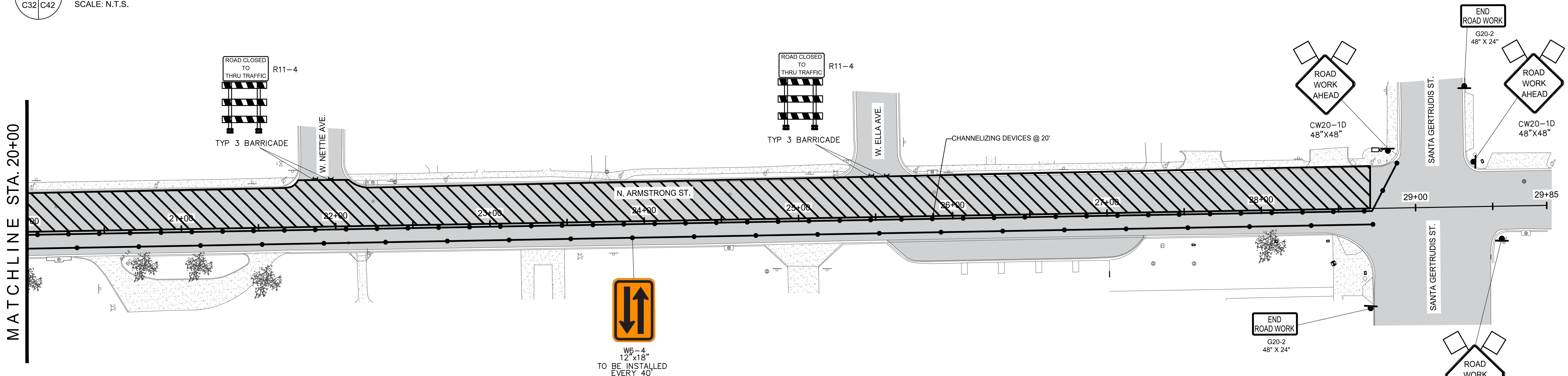
FILE NAME: I:\Projects\2021\City of Kingsville\glo-sw-loc10-sw-n-armstrong-st\Traffic Control Plan Phase 8.dwg - LAYOUT NAME: PHASE 8 (1) - PLOTTED: Tuesday, February 04, 2025 - 11:28am USER: martin



**1** TRAFFIC CONTROL PLAN PHASE X  
SCALE: N.T.S.



**H** PHASE 8 CROSS SECTION  
SCALE: N.T.S.



**2** TRAFFIC CONTROL PLAN PHASE X  
SCALE: N.T.S.

CONSULTANT'S SHEET PROJECT NO. 21107-01B	
DESCRIPTION	BY
REVISION NO.	DATE
<b>CITY OF KINGSVILLE GLO SW PROJECT 10 (N. ARMSTRONG ST.) STORM WATER IMPROVEMENTS</b> KINGSVILLE, KLEBERG COUNTY, TEXAS	
<b>TRAFFIC CONTROL PLAN PHASE X</b>	
REVISION NO.	DATE
JCC	REV. 1
02-04-25	BY
DRAWING NO.	
<b>C42</b>	
SHEET 43 of 56	



FILE NAME: I:\Projects\2021\City of Kingsville\GLO-LOC10 SW N ARMSTRONG ST\1- Drawings\2 - Civil\C43\_02-TXDOT- BC-01-21.dwg LAYOUT NAME: C-54 I-TXDOT- BC-01-07 PLOTTED: Tuesday, February 04, 2025 - 11:28am USER: martin

BARRICADE AND CONSTRUCTION (BC) STANDARD SHEETS GENERAL NOTES:

- The Barricade and Construction Standard Sheets (BC sheets) are intended to show typical examples for placement of temporary traffic control devices, construction pavement markings, and typical work zone signs. The information contained in these sheets meet or exceed the requirements shown in the "Texas Manual on Uniform Traffic Control Devices" (TMUTCD).
- The development and design of the Traffic Control Plan (TCP) is the responsibility of the Engineer.
- The Contractor may propose changes to the TCP that are signed and sealed by a licensed professional engineer for approval. The Engineer may develop, sign and seal Contractor proposed changes.
- The Contractor is responsible for installing and maintaining the traffic control devices as shown in the plans. The Contractor may not move or change the approximate location of any device without the approval of the Engineer.
- Geometric design of lane shifts and detours should, when possible, meet the applicable design criteria contained in manuals such as the American Association of State Highway and Transportation Officials (AASHTO), "A Policy on Geometric Design of Highways and Streets," the TxDOT "Roadway Design Manual" or engineering judgment.
- When projects abut, the Engineer(s) may omit the END ROAD WORK, TRAFFIC FINES DOUBLE, and other advance warning signs if the signing would be redundant and the work areas appear continuous to the motorists. If the adjacent project is completed first, the Contractor shall erect the necessary warning signs as shown on these sheets, the TCP sheets or as directed by the Engineer. The BEGIN ROAD WORK NEXT X MILES sign shall be revised to show appropriate work zone distance.
- The Engineer may require duplicate warning signs on the median side of divided highways where median width will permit and traffic volumes justify the signing.
- All signs shall be constructed in accordance with the details found in the "Standard Highway Sign Designs for Texas," latest edition. Sign details not shown in this manual shall be shown in the plans or the Engineer shall provide a detail to the Contractor before the sign is manufactured.
- The temporary traffic control devices shown in the illustrations of the BC sheets are examples. As necessary, the Engineer will determine the most appropriate traffic control devices to be used.
- Where highway construction or maintenance work is being undertaken, other than mobile operations as defined by the Texas Manual on Uniform Traffic Control Devices, CSJ limit signs are required. CSJ limit signs are shown on BC(2). The OBEY WARNING SIGNS STATE LAW sign, STAY ALERT TALK OR TEXT LATER and the WORK ZONE TRAFFIC FINES DOUBLE sign with plaque shall be erected in advance of the CSJ limits. The BEGIN ROAD WORK NEXT X MILES, CONTRACTOR and END ROAD WORK signs shall be erected at or near the CSJ limits. For mobile operations, CSJ limit signs are not required.
- Traffic control devices should be in place only while work is actually in progress or a definite need exists.
- The Engineer has the final decision on the location of all traffic control devices.
- Inactive equipment and work vehicles, including workers' private vehicles must be parked away from travel lanes. They should be as close to the right-of-way line as possible, or located behind a barrier or guardrail, or as approved by the Engineer.

WORKER SAFETY NOTES:


- Workers on foot who are exposed to traffic or to construction equipment within the right-of-way shall wear high-visibility safety apparel meeting the requirements of ISEA "American National Standard for High-Visibility Apparel," or equivalent revisions, and labeled as ANSI 107-2004 standard performance for Class 2 or 3 risk exposure. Class 3 garments should be considered for high traffic volume work areas or night time work.
- Except in emergency situations, flagger stations shall be illuminated when flagging is used at night.

COMPLIANT WORKZONE TRAFFIC CONTROL DEVICES

- Only pre-qualified products shall be used. The "Compliant Work Zone Traffic Control Devices List" (CWZTCD) describes pre-qualified products and their sources.
- Work zone traffic control devices shall be compliant with the Manual for Assessing safety Hardware (MASH).

THE DOCUMENTS BELOW CAN BE FOUND ON-LINE AT <a href="http://www.txdot.gov">http://www.txdot.gov</a>
COMPLIANT WORK ZONE TRAFFIC CONTROL DEVICES LIST (CWZTCD)
DEPARTMENTAL MATERIAL SPECIFICATIONS (DMS)
MATERIAL PRODUCER LIST (MPL)
ROADWAY DESIGN MANUAL - SEE "MANUALS (ONLINE MANUALS)"
STANDARD HIGHWAY SIGN DESIGNS FOR TEXAS (SHSD)
TEXAS MANUAL ON UNIFORM TRAFFIC CONTROL DEVICES (TMUTCD)
TRAFFIC ENGINEERING STANDARD SHEETS

SHEET 1 OF 12






*Traffic Safety Division Standard*

BARRICADE AND CONSTRUCTION  
GENERAL NOTES  
AND REQUIREMENTS

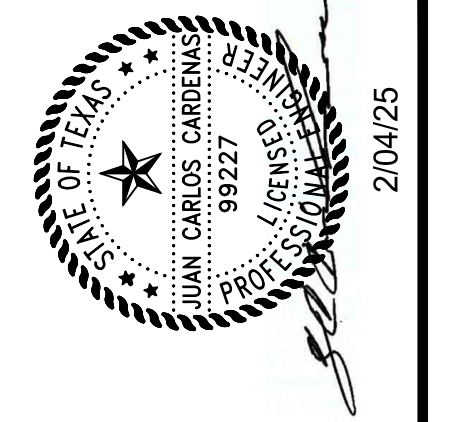
BC(1)-21

FILE: bc-21.dgn	DN: TxDOT	CK: TxDOT	DW: TxDOT	CK: TxDOT
© TxDOT November 2002	CONT	SECT	JOB	HIGHWAY
REVISIONS				
4-03	7-13			
9-07	8-14			
5-10	5-21			
	DIST	COUNTY	SHEET NO.	

95 1

	CONSULTANT'S SHEET PROJECT NO. 21107-01B						
				 JUAN CARLOS CARRASCO LICENSE # 99227 PROFESSIONAL ENGINEER	2/04/25		
				 INTERNATIONAL CONSULTING ENGINEERS 261 SARATOGA BLVD. CORPUS CHRISTI, TX 78417 PHONE: 361.926.5805 FAX: 361.926.5806 I.B.P.E. FIRM REGISTRATION #F-10837			
				 CITY OF <b>Kingsville</b> TEXAS			
				<b>CITY OF KINGSVILLE GLO SW PROJECT 10 (N. ARMSTRONG ST.) STORM WATER IMPROVEMENTS</b> KINGSVILLE, KLEBERG COUNTY, TEXAS			
				<b>TXDOT- BARRICADE AND CONSTRUCTION GENERAL NOTES AND REQUIREMENTS BC(1)-21</b>			
				DRAWING NO.			
				<b>C43</b>			
				SHEET 44 of 56			





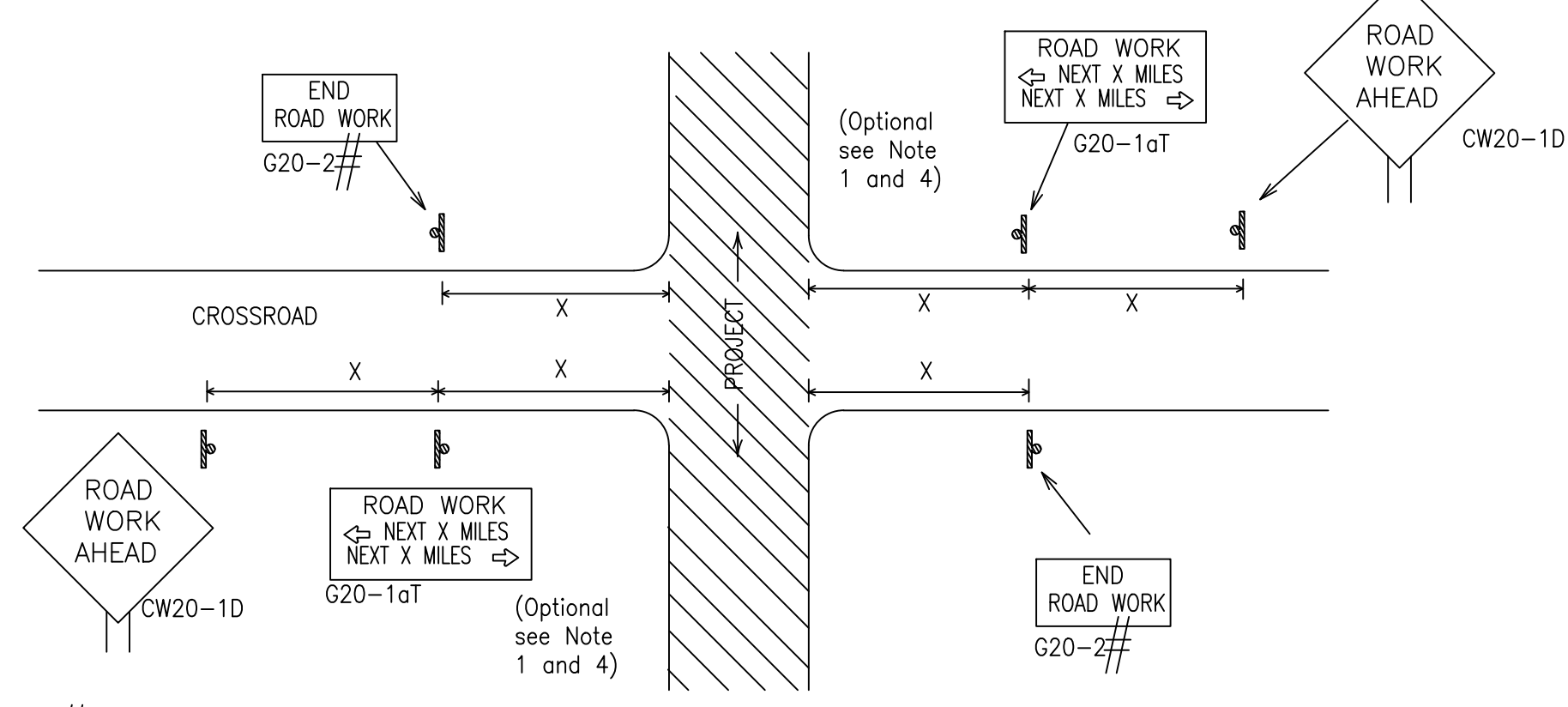
**IE**  
INTERNATIONAL CONSULTING ENGINEERS  
261 SARATOGA BLVD.  
CORPUS CHRISTI, TX 78417  
PHONE: 361.926.5805  
FAX: 361.926.5806  
I.C.E. FIRM REGISTRATION #F-10837



**CITY OF KINGSVILLE GLO SW PROJECT 10  
(N. ARMSTRONG ST.) STORM WATER IMPROVEMENTS**  
KINGSVILLE, KLEBERG COUNTY, TEXAS

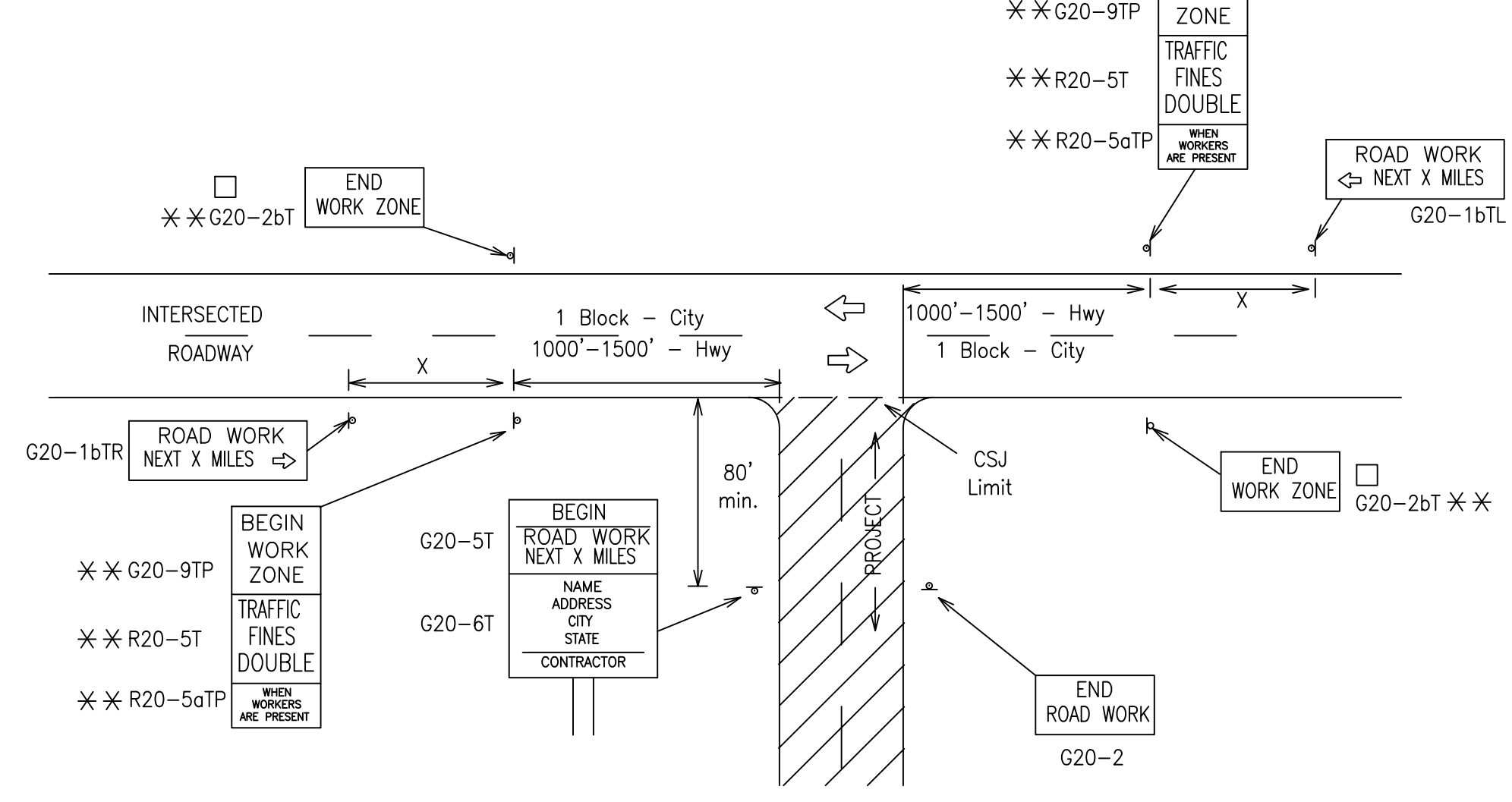
**TXDOT-BARRICADE AND CONSTRUCTION  
PROJECT LIMIT BC(2)-21**

TYPICAL LOCATION OF CROSSROAD SIGNS



- # May be mounted on back of "ROAD WORK AHEAD"(CW20-1D) sign with approval of Engineer. (See note 2 below)
- The typical minimum signing on a crossroad approach should be a "ROAD WORK AHEAD" (CW20-1D) sign and a (G20-2) "END ROAD WORK" sign, unless noted otherwise in plans.
  - The Engineer may use the reduced size 36" x 36" ROAD WORK AHEAD (CW20-1D) sign mounted back to back with the reduced size 36" x 18" "END ROAD WORK"(G20-2) sign on low volume crossroads (see Note 4 under "Typical Construction Warning Sign Size and Spacing"). See the "Standard Highway Sign Designs for Texas" manual for sign details. The Engineer may omit the advance warning signs on low volume crossroads. The Engineer will determine whether a road is low volume as per TMUTCD Part 5. This information shall be shown in the plans.
  - Based on existing field conditions, the Engineer/Inspector may require additional signs such as FLAGGER AHEAD, LOOSE GRAVEL, or other appropriate signs. When additional signs are required, these signs will be considered part of the minimum requirements. The Engineer/Inspector will determine the proper location and spacing of any sign not shown on the BC sheets, Traffic Control Plan sheets or the Work Zone Standard Sheets.
  - The "ROAD WORK NEXT X MILES"(G20-1aT) sign shall be required at high volume crossroads to advise motorists of the length of construction in either direction from the intersection. The Engineer will determine whether a roadway is considered high volume.
  - Additional traffic control devices may be shown elsewhere in the plans for higher volume crossroads.
  - When work occurs in the intersection area, appropriate traffic control devices, as shown elsewhere in the plans or as determined by the Engineer/Inspector, shall be in place.

T-INTERSECTION



CSJ LIMITS AT T-INTERSECTION

- The Engineer will determine the types and location of any additional traffic control devices, such as a flagger and accompanying signs, or other signs, that should be used when work is being performed at or near an intersection.
- If construction closes the road at a T-intersection, the Contractor shall place the "CONTRACTOR NAME"(G20-6T) sign behind the Type 3 Barricades for the road closure (see BC(10) also). The "ROAD WORK NEXT X MILES" left arrow(G20-1bTL) and "ROAD WORK NEXT X MILES" right arrow (G20-1bTR) signs shall be replaced by the detour signing called for in the plans.

TYPICAL CONSTRUCTION WARNING SIGN SIZE AND SPACING 1.5,6

Sign Number or Series	SIZE		SPACING	
	Conventional Road	Expressway/Freeway	Posted Speed	Sign Spacing "X"
CW20 <sup>4</sup> CW21 CW22 CW23 CW25	48" x 48"	48" x 48"	MPH	Feet (Apprx.)
			30	120
			35	160
			40	240
			45	320
CW1, CW2, CW7, CW8, CW9, CW11, CW14	36" x 36"	48" x 48"	50	400
			55	500 <sup>2</sup>
			60	600 <sup>2</sup>
			65	700 <sup>2</sup>
CW3, CW4, CW5, CW6, CW8-3, CW10, CW12	48" x 48"	48" x 48"	70	800 <sup>2</sup>
			75	900 <sup>2</sup>
			80	1000 <sup>2</sup>
			*	* <sup>3</sup>

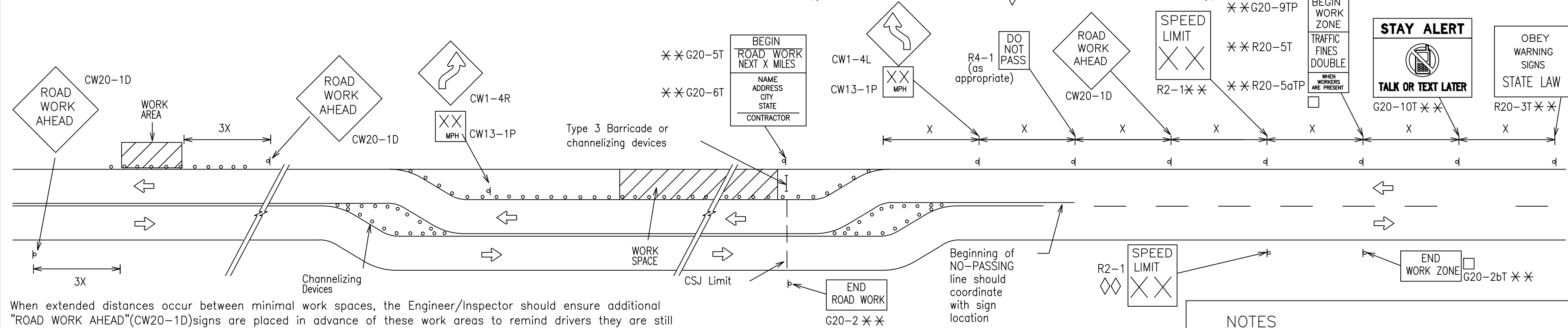
\* For typical sign spacings on divided highways, expressways and freeways, see Part 6 of the "Texas Manual on Uniform Traffic Control Devices" (TMUTCD) typical application diagrams or TCP Standard Sheets.

Minimum distance from work area to first Advance Warning sign nearest the work area and/or distance between each additional sign.

GENERAL NOTES

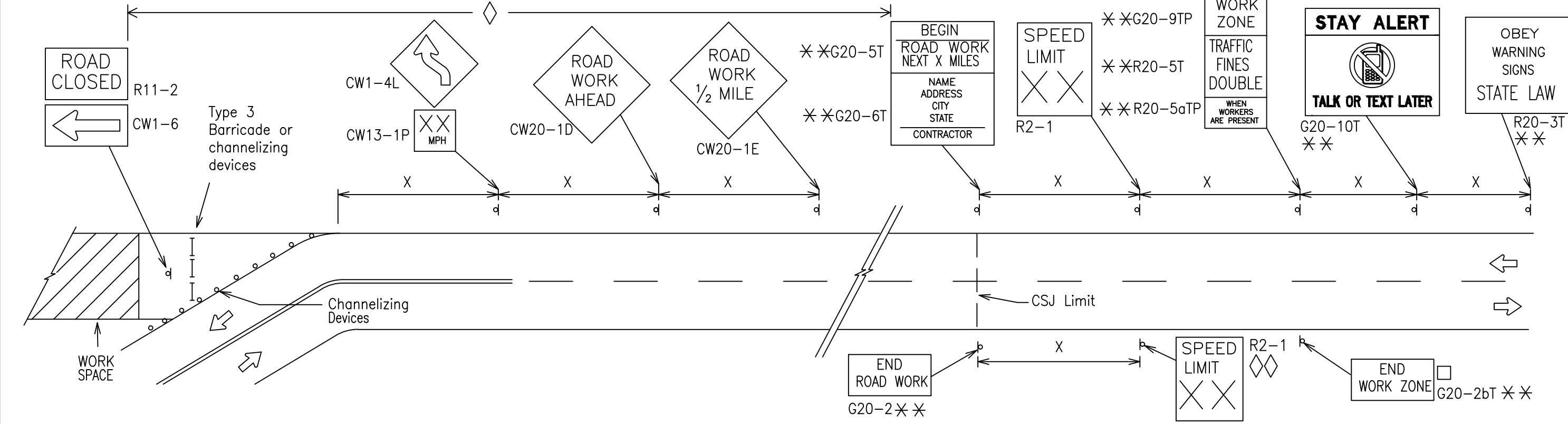
- Special or larger size signs may be used as necessary.
- Distance between signs should be increased as required to have 1500 feet advance warning.
- Distance between signs should be increased as required to have 1/2 mile or more advance warning.
- 36" x 36" "ROAD WORK AHEAD" (CW20-1D) signs may be used on low volume crossroads at the discretion of the Engineer as per TMUTCD Part 5. See Note 2 under "Typical Location of Crossroad Signs".
- Only diamond shaped warning sign sizes are indicated.
- See sign size listing in "TMUTCD", Sign Appendix or the "Standard Highway Sign Designs for Texas" manual for complete list of available sign design sizes.

WORK AREAS IN MULTIPLE LOCATIONS WITHIN CSJ LIMITS



When extended distances occur between minimal work spaces, the Engineer/Inspector should ensure additional "ROAD WORK AHEAD"(CW20-1D) signs are placed in advance of these work areas to remind drivers they are still within the project limits. See the applicable TCP sheets for exact location and spacing of signs and channelizing devices.

SAMPLE LAYOUT OF SIGNING FOR WORK BEGINNING DOWNSTREAM OF THE CSJ LIMITS



NOTES

- The Contractor shall determine the appropriate distance to be placed on the G20-1 series signs and "BEGIN ROAD WORK NEXT X MILES"(G20-5T) sign for each specific project. This distance shall replace the "X" and shall be rounded to the nearest whole mile with the approval of the Engineer. No decimals shall be used.
- The "BEGIN WORK ZONE"(G20-9TP) and "END WORK ZONE" (G20-2bT) shall be used as shown on the sample layout when advance signs are required outside the CSJ Limits. They inform the motorist of entering or leaving a part of the work zone lying outside the CSJ Limits where traffic fines may double if workers are present.
  - CSJ limit signing is required for highway construction and maintenance work, with the exception of mobile operations.
  - Area for placement of "ROAD WORK AHEAD" (CW20-1D) sign and other signs or devices as called for on the Traffic Control Plan.
  - Contractor will install a regulatory speed limit sign at the end of the work zone.

LEGEND

—	Type 3 Barricade
○ ○ ○	Channelizing Devices
■	Sign
X	See Typical Construction Warning Sign Size and Spacing chart or the TMUTCD for sign spacing requirements.

SHEET 2 OF 12



**BARRICADE AND CONSTRUCTION  
PROJECT LIMIT**

BC(2)-21

FILE: bc-21.dgn	DN: TxDOT	CK: TxDOT	DW: TxDOT	CK: TxDOT
TXDOT November 2002	CONT	SECT	JOB	HIGHWAY
REVISIONS	DIST	COUNTY	SHEET NO.	
9-07 8-14				
7-13 5-21				

FILE NAME: I:\Projects\2021\City of Kingsville\GLO-LOC10 SW N ARMSTRONG ST\Drawings\2 - Drawings\2 - Civil\C44 03-TXDOT - BC(2)-21.dwg LAYOUT NAME: PS PLOTTED: Tuesday, February 04, 2025 11:28am USER: martin

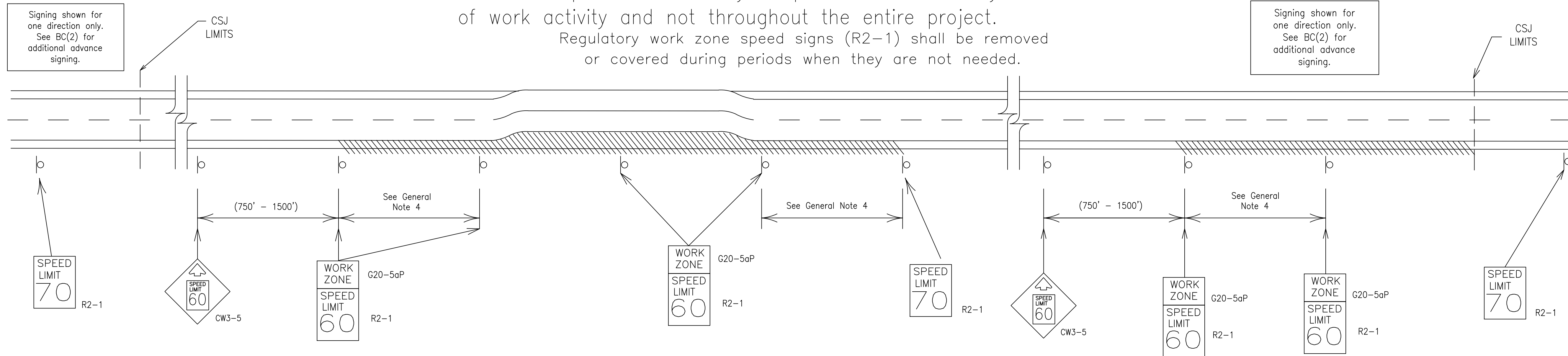


# TYPICAL APPLICATION OF WORK ZONE SPEED LIMIT SIGNS

Work zone speed limits shall be regulatory, established in accordance with the "Procedures for Establishing Speed Zones," and approved by the Texas Transportation Commission, or by City Ordinance when within Incorporated City Limits.

Reduced speeds should only be posted in the vicinity of work activity and not throughout the entire project.

Regulatory work zone speed signs (R2-1) shall be removed or covered during periods when they are not needed.



## GUIDANCE FOR USE:

### LONG/INTERMEDIATE TERM WORK ZONE SPEED LIMITS

This type of work zone speed limit should be included on the design of the traffic control plans when restricted geometrics with a lower design speed are present in the work zone and modification of the geometrics to a higher design speed is not feasible.

Long/Intermediate Term Work Zone Speed Limit signs, when approved as described above, should be posted and visible to the motorist when work activity is present. Work activity may also be defined as a change in the roadway that requires a reduced speed for motorists to safely negotiate the work area, including:

- rough road or damaged pavement surface
- substantial alteration of roadway geometrics (diversions)
- construction detours
- grade
- width
- other conditions readily apparent to the driver

As long as any of these conditions exist, the work zone speed limit signs should remain in place.

### SHORT TERM WORK ZONE SPEED LIMITS

This type of work zone speed limit may be included on the design of the traffic control plans when workers or equipment are not behind concrete barrier, when work activity is within 10 feet of the traveled way or actually in the traveled way.

Short Term Work Zone Speed Limit signs should be posted and visible to the motorists only when work activity is present. When work activity is not present, signs shall be removed or covered. (See Removing or Covering on BC(4)).

### GENERAL NOTES

- Regulatory work zone speed limits should be used only for sections of construction projects where speed control is of major importance.
- Regulatory work zone speed limit signs shall be placed on supports at a 7 foot minimum mounting height.
- Speed zone signs are illustrated for one direction of travel and are normally posted for each direction of travel.
- Frequency of work zone speed limit signs should be:
  - 40 mph and greater 0.2 to 2 miles
  - 35 mph and less 0.2 to 1 mile
- Regulatory speed limit signs shall have black legend and border on a white reflective background (See "Reflective Sheeting" on BC(4)).
- Fabrication, erection and maintenance of the "ADVANCE SPEED LIMIT"(CW3-5) sign, "WORK ZONE"(G20-5aP) plaque and the "SPEED LIMIT"(R2-1) signs shall not be paid for directly, but shall be considered subsidiary to Item 502.
- Turning signs from view, laying signs over or down will not be allowed, unless as otherwise noted under "REMOVING OR COVERING" on BC(4).
- Techniques that may help reduce traffic speeds include but are not limited to:
  - Law enforcement.
  - Flagger stationed next to sign.
  - Portable changeable message sign (PCMS).
  - Low-power (drone) radar transmitter.
  - Speed monitor trailers or signs.
- Speeds shown on details above are for illustration only. Work Zone Speed Limits should only be posted as approved for each project.
- For more specific guidance concerning the type of work, work zone conditions and factors impacting allowable regulatory construction speed zone reduction see TxDOT form #1204 in the TxDOT e-form system.

SHEET 3 OF 12

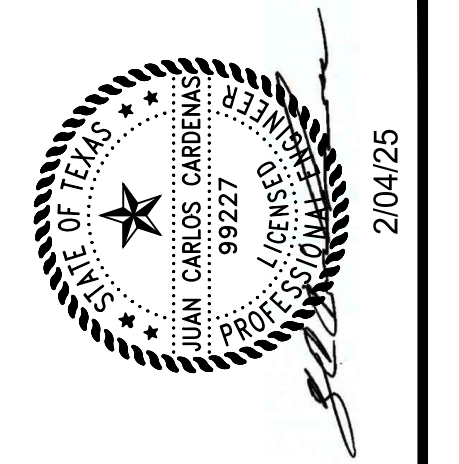


BARRICADE AND CONSTRUCTION  
WORK ZONE SPEED LIMIT

BC(3)-21

FILE:	bc-21.dgn	DN:	TxDOT	CK:	TxDOT	DW:	TxDOT	CK:	TxDOT
© TxDOT	November 2002	CONT	SECT	JOB	HIGHWAY				
REVISIONS									
9-07	8-14								
7-13	5-21	DIST	COUNTY		SHEET NO.				

CONSULTANT'S SHEET  
PROJECT NO. 21107-01B



**IOE**  
INTERNATIONAL CONSULTING ENGINEERS  
261 SARATOGA BLVD.  
CORPUS CHRISTI, TX 78417  
PHONE: 361.926.5805  
FAX: 361.926.5806  
I.B.P.E. FIRM REGISTRATION #F-10837



**CITY OF KINGSVILLE GLO SW PROJECT 10  
(N. ARMSTRONG ST.) STORM WATER IMPROVEMENTS**  
KINGSVILLE, KLEBERG COUNTY, TEXAS

**TXDOT-BARRICADE AND CONSTRUCTION WORK ZONE  
SPEED LIMIT BC(3)-21**

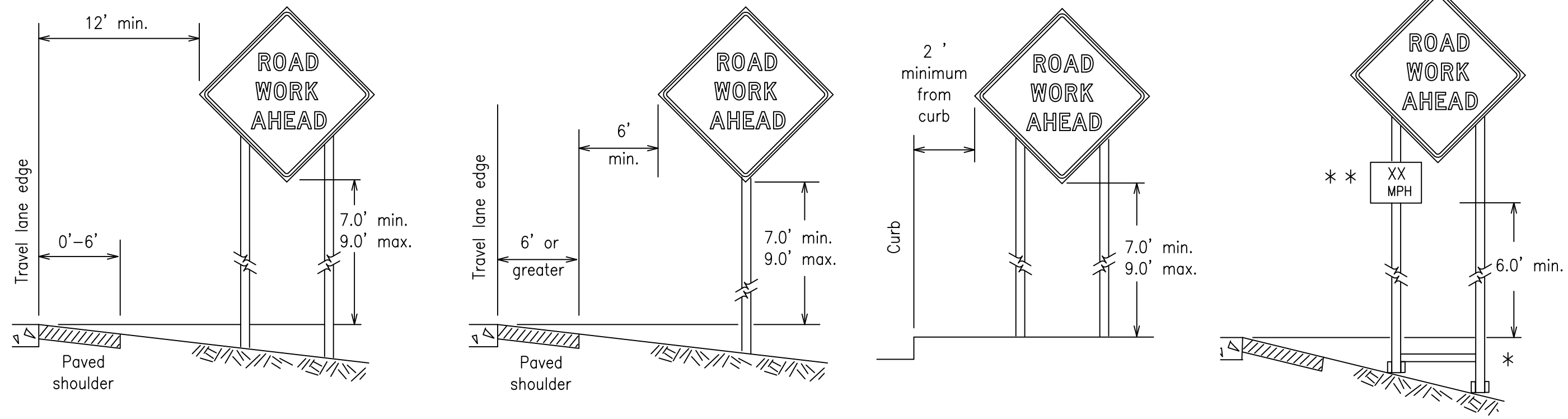
DRAWING NO.  
**C45**  
SHEET 46 of 56

FILE NAME: I:\Projects\2021\City of Kingsville\GLO-LOC10 SW N ARMSTRONG ST\1-Drawings\2 - Civil\C44\_04-TxDOT - BC-03-21.dwg LAYOUT NAME: PS PLOTTED: Tuesday, February 04, 2025 - 11:29am USER: martin



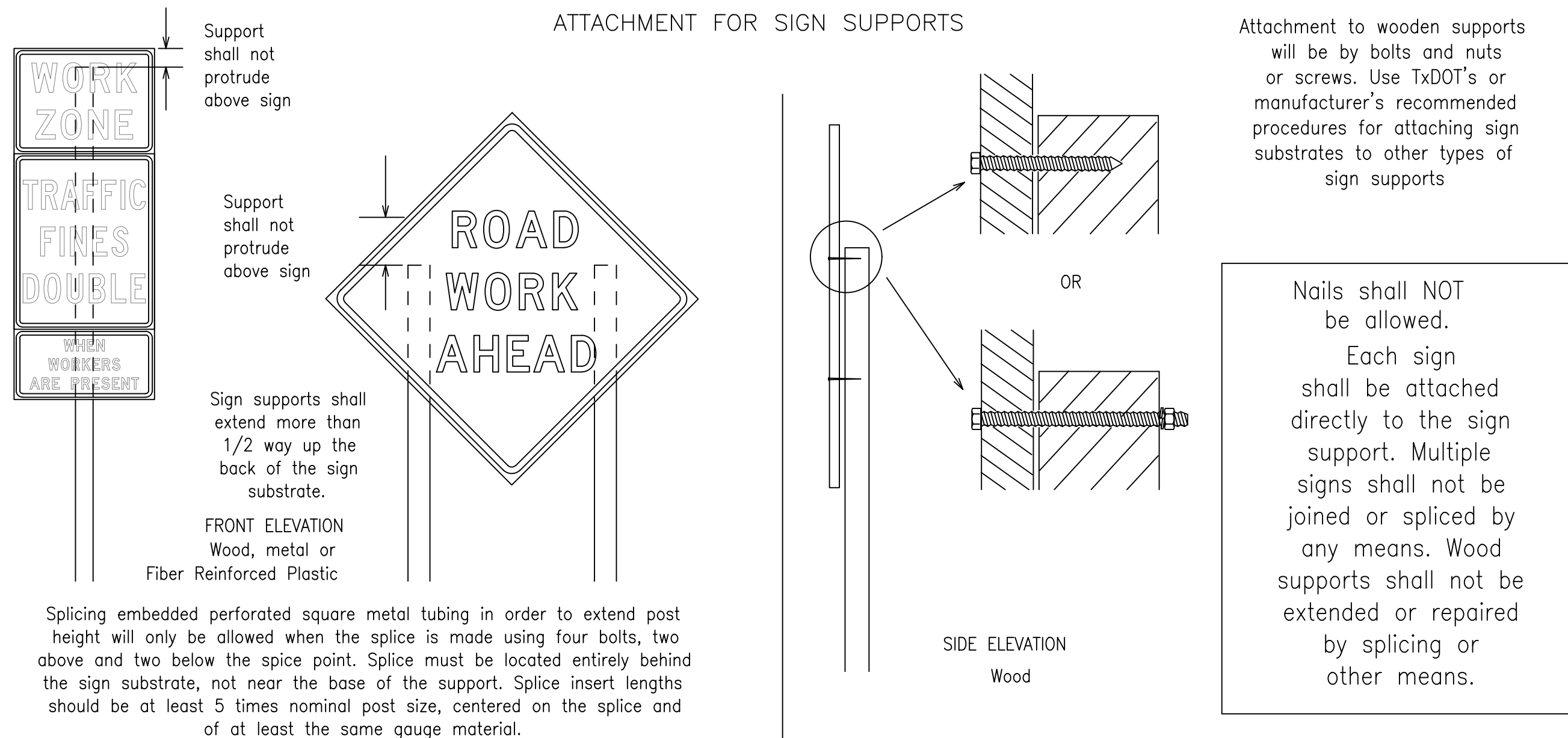
FILE NAME: I:\Projects\2021\City of Kingsville\GLO-SW-LOC10-SW-N-ARMSTRONG-ST-1-Drawings\2 - Drawings\2 - Civil\C46-05-TXDOT-BC-04-21.dwg LAYOUT NAME: PS\_PLOTTED: Tuesday, February 04, 2025 11:29am USER: martin

TYPICAL MINIMUM CLEARANCES FOR LONG TERM AND INTERMEDIATE TERM SIGNS



- \* When placing skid supports on unlevel ground, the leg post lengths must be adjusted so the sign appears straight and plumb. Objects shall NOT be placed under skids as a means of leveling.
- \*\* When plaques are placed on dual-leg supports, they should be attached to the upright nearest the travel lane. Supplemental plaques (advisory or distance) should not cover the surface of the parent sign.

ATTACHMENT FOR SIGN SUPPORTS



GENERAL NOTES FOR WORK ZONE SIGNS

- Contractor shall install and maintain signs in a straight and plumb condition and/or as directed by the Engineer.
  - Wooden sign posts shall be painted white.
  - Barricades shall NOT be used as sign supports.
  - All signs shall be installed in accordance with the plans or as directed by the Engineer. Signs shall be used to regulate, warn, and guide the traveling public safely through the work zone.
  - The Contractor may furnish either the sign design shown in the plans or in the "Standard Highway Sign Designs for Texas" (SHSD). The Engineer/Inspector may require the Contractor to furnish other work zone signs that are shown in the TMUTCD but may have been omitted from the plans. Any variation in the plans shall be documented by written agreement between the Engineer and the Contractor's Responsible Person. All changes must be documented in writing before being implemented. This can include documenting the changes in the Inspector's TxDOT diary and having both the Inspector and Contractor initial and date the agreed upon changes.
  - The Contractor shall furnish sign supports listed in the "Compliant Work Zone Traffic Control Device List" (CWZTCD) for small roadside signs. Supports for temporary large roadside signs shall meet the requirements detailed on the Temporary Large Roadside Signs (TLRS) standard sheets. The Contractor shall install the sign support in accordance with the manufacturer's recommendations. If there is a question regarding installation procedures, the Contractor shall furnish the Engineer a copy of the manufacturer's installation recommendations so the Engineer can verify the correct procedures are being followed.
  - The Contractor is responsible for installing signs on approved supports and replacing signs with damaged or cracked substrates and/or damaged or marred reflective sheeting as directed by the Engineer/Inspector.
  - Identification markings may be shown only on the back of the sign substrate. The maximum height of letters and/or company logos used for identification shall be 1 inch.
  - The Contractor shall replace damaged wood posts. New or damaged wood sign posts shall not be spliced.
- DURATION OF WORK (as defined by the "Texas Manual on Uniform Traffic Control Devices" Part 6)**
- Long-term stationary - work that occupies a location more than 3 days.
  - Intermediate-term stationary - work that occupies a location more than one daylight period up to 3 days, or nighttime work lasting more than one hour.
  - Short-term stationary - daytime work that occupies a location for more than 1 hour in a single daylight period.
  - Short, duration - work that occupies a location up to 1 hour.
  - Mobile - work that moves continuously or intermittently (stopping for up to approximately 15 minutes.)

SIGN MOUNTING HEIGHT

- The bottom of Long-term/Intermediate-term signs shall be at least 7 feet, but not more than 9 feet, above the paved surface, except as shown for supplemental plaques mounted below other signs.
- The bottom of Short-term/Short Duration signs shall be a minimum of 1 foot above the pavement surface but no more than 2 feet above the ground.
- Long-term/Intermediate-term Signs may be used in lieu of Short-term/Short Duration signing.
- Short-term/Short Duration signs shall be used only during daylight and shall be removed at the end of the workday or raised to appropriate Long-term/Intermediate sign height.
- Regulatory signs shall be mounted at least 7 feet, but not more than 9 feet, above the paved surface regardless of work duration.

SIZE OF SIGNS

- The Contractor shall furnish the sign sizes shown on BC (2) unless otherwise shown in the plans or as directed by the Engineer.

SIGN SUBSTRATES

- The Contractor shall ensure the sign substrate is installed in accordance with the manufacturer's recommendations for the type of sign support that is being used. The CWZTCD lists each substrate that can be used on the different types and models of sign supports.
- "Mesh" type materials are NOT an approved sign substrate, regardless of the tightness of the weave.
- All wooden individual sign panels fabricated from 2 or more pieces shall have one or more plywood cleat, 1/2" thick by 6" wide, fastened to the back of the sign and extending fully across the sign. The cleat shall be attached to the back of the sign using wood screws that do not penetrate the face of the sign panel. The screws shall be placed on both sides of the splice and spaced at 6" centers. The Engineer may approve other methods of splicing the sign face.

REFLECTIVE SHEETING

- All signs shall be retroreflective and constructed of sheeting meeting the color and retro-reflectivity requirements of DMS-8300 for rigid signs or DMS-8310 for roll-up signs. The web address for DMS specifications is shown on BC(1).
- White sheeting, meeting the requirements of DMS-8300 Type A, shall be used for signs with a white background.
- Orange sheeting, meeting the requirements of DMS-8300 Type B or Type C, shall be used for rigid signs with orange backgrounds.

SIGN LETTERS

- All sign letters and numbers shall be clear, and open rounded type uppercase alphabet letters as approved by the Federal Highway Administration (FHWA) and as published in the "Standard Highway Sign Design for Texas" manual. Signs, letters and numbers shall be of first class workmanship in accordance with Department Standards and Specifications.

REMOVING OR COVERING

- When sign messages may be confusing or do not apply, the signs shall be removed or completely covered.
- Long-term stationary or intermediate stationary signs installed on square metal tubing may be turned away from traffic 90 degrees when the sign message is not applicable. This technique may not be used for signs installed in the median of divided highways or near any intersections where the sign may be seen from approaching traffic.
- Signs installed on wooden skids shall not be turned at 90 degree angles to the roadway. These signs should be removed or completely covered when not required.
- When signs are covered, the material used shall be opaque, such as heavy mil black plastic, or other materials which will cover the entire sign face and maintain their opaque properties under automobile headlights at night, without damaging the sign sheeting.
- Burlap shall NOT be used to cover signs.
- Duct tape or other adhesive material shall NOT be affixed to a sign face.
- Signs and anchor stubs shall be removed and holes backfilled upon completion of work.

SIGN SUPPORT WEIGHTS

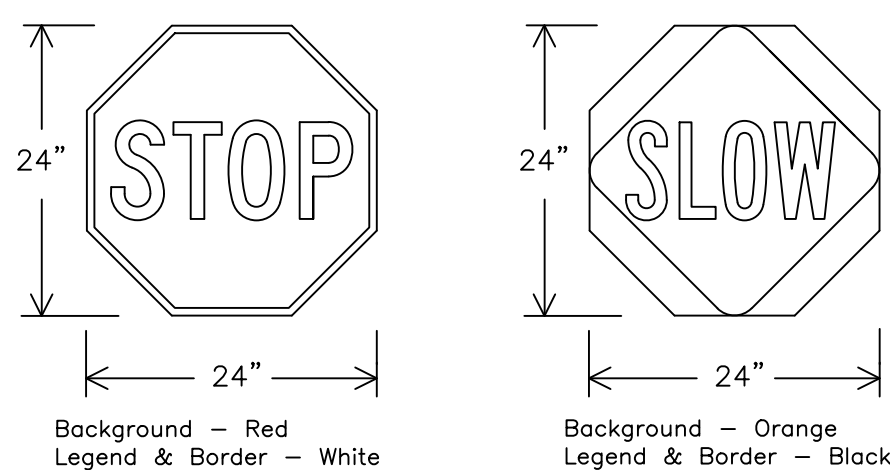
- Where sign supports require the use of weights to keep from turning over, the use of sandbags with dry, cohesionless sand should be used.
- The sandbags will be tied shut to keep the sand from spilling and to maintain a constant weight.
- Rock, concrete, iron, steel or other solid objects shall not be permitted for use as sign support weights.
- Sandbags should weigh a minimum of 35 lbs and a maximum of 50 lbs.
- Sandbags shall be made of a durable material that tears upon vehicular impact. Rubber (such as tire inner tubes) shall NOT be used.
- Rubber ballasts designed for channelizing devices should not be used for ballast on portable sign supports. Sign supports designed and manufactured with rubber bases may be used when shown on the CWZTCD list.
- Sandbags shall only be placed along or laid over the base supports of the traffic control device and shall not be suspended above ground level or hung with rope, wire, chains or other fasteners. Sandbags shall be placed along the length of the skids to weigh down the sign support.
- Sandbags shall NOT be placed under the skid and shall not be used to level sign supports placed on slopes.

FLAGS ON SIGNS

- Flags may be used to draw attention to warning signs. When used, the flag shall be 16 inches square or larger and shall be orange or fluorescent red-orange in color. Flags shall not be allowed to cover any portion of the sign face.

STOP/SLOW PADDLES

- STOP/SLOW paddles are the primary method to control traffic by flaggers. The STOP/SLOW paddle size should be 24" x 24".
- STOP/SLOW paddles shall be retroreflectORIZED when used at night.
- STOP/SLOW paddles may be attached to a staff with a minimum length of 6' to the bottom of the sign.
- Any lights incorporated into the STOP or SLOW paddle faces shall only be as specifically described in Section 6E.03 Hand Signaling Devices in the TMUTCD.



CONTRACTOR REQUIREMENTS FOR MAINTAINING PERMANENT SIGNS WITHIN THE PROJECT LIMITS

- Permanent signs are used to give notice of traffic laws or regulations, call attention to conditions that are potentially hazardous to traffic operations, show route designations, destinations, directions, distances, services, points of interest, and other geographical, recreational, specific service (LOGO), or cultural information. Drivers proceeding through a work zone need the same, if not better route guidance as normally installed on a roadway without construction.
- When permanent regulatory or warning signs conflict with work zone conditions, remove or cover the permanent signs until the permanent sign message matches the roadway condition. For details for covering large guide signs see the TS-CD standard.
- When existing permanent signs are moved and relocated due to construction purposes, they shall be visible to motorists at all times.
- If existing signs are to be relocated on their original supports, they shall be installed on crashworthy bases as shown on the SMD Standard sheets. The signs shall meet the required mounting heights shown on the BC Sheets or the SMD Standards. This work should be paid for under the appropriate pay item for relocating existing signs.
- If permanent signs are to be removed and relocated using temporary supports, the Contractor shall use crashworthy supports as shown on the BC standard sheets, TLRS standard sheets or the CWZTCD list. The signs shall meet the required mounting heights shown on the BC, or the SMD standard sheets during construction. This work should be paid for under the appropriate pay item for relocating existing signs.
- Any sign or traffic control device that is struck or damaged by the Contractor or his/her construction equipment shall be replaced as soon as possible by the Contractor to ensure proper guidance for the motorists. This will be subsidiary to Item 502.

SHEETING REQUIREMENTS (WHEN USED AT NIGHT)

USAGE	COLOR	SIGN FACE MATERIAL
BACKGROUND	RED	TYPE B OR C SHEETING
BACKGROUND	ORANGE	TYPE B <sub>FL</sub> OR C <sub>FL</sub> SHEETING
LEGEND & BORDER	WHITE	TYPE B OR C SHEETING
LEGEND & BORDER	BLACK	ACRYLIC NON-REFLECTIVE FILM

SHEET 4 OF 12

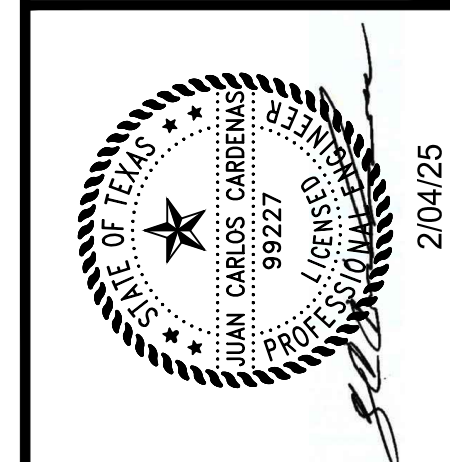


BARRICADE AND CONSTRUCTION TEMPORARY SIGN NOTES

BC(4)-21

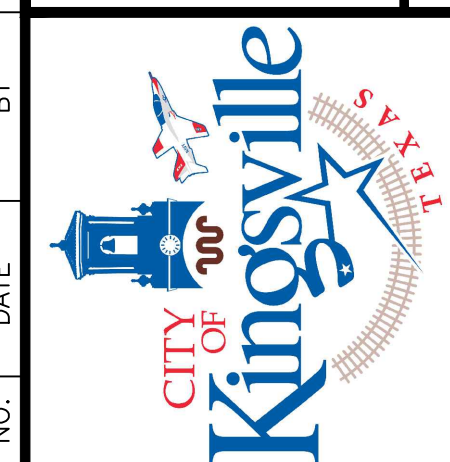
FILE:	bc-21.dgn	DN:	TxDOT	CK:	TxDOT	DW:	TxDOT	CK:	TxDOT
© TxDOT	November 2002	CONT:	SECT:	JOB:	HIGHWAY:				
REVISIONS		DIST		COUNTY		SHEET NO.			
9-07	8-14								
7-13	5-21								

CONSULTANT'S SHEET  
PROJECT NO. 21107-01B



**IE**

INTERNATIONAL CONSULTING ENGINEERS  
261 SARATOGA BLVD.  
CORPUS CHRISTI, TX 78417  
PHONE: 361.926.5905  
FAX: 361.926.5906  
I.C.E. FIRM REGISTRATION #F-10837



**CITY OF KINGSVILLE GLO SW PROJECT 10**  
**(N. ARMSTRONG ST.) STORM WATER IMPROVEMENTS**  
KINGSVILLE, KLEBERG COUNTY, TEXAS

**TXDOT-BARRICADE AND CONSTRUCTION TEMPORARY SIGN NOTES BC(4)-21**

DESCRIPTION

BY

DATE

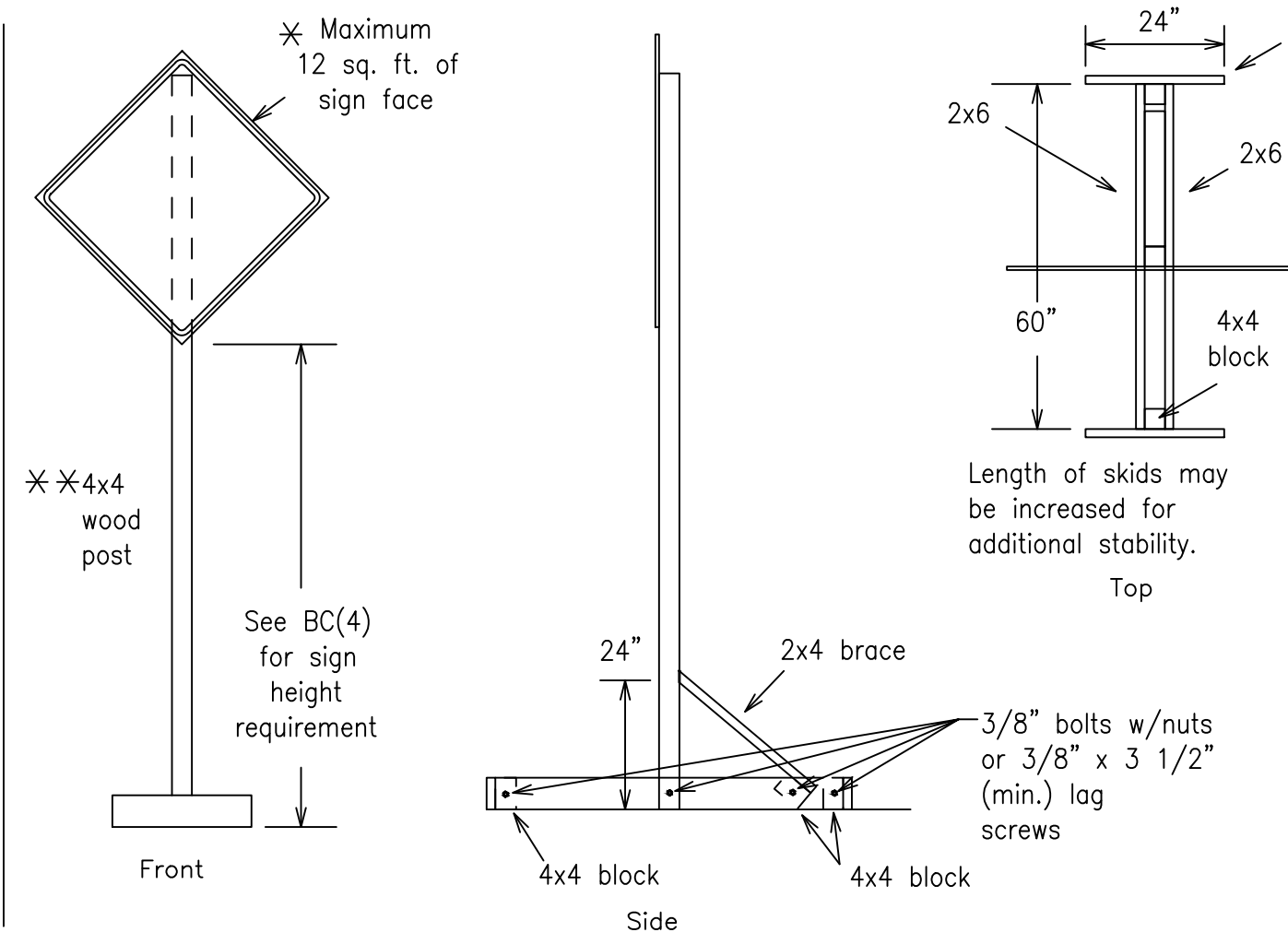
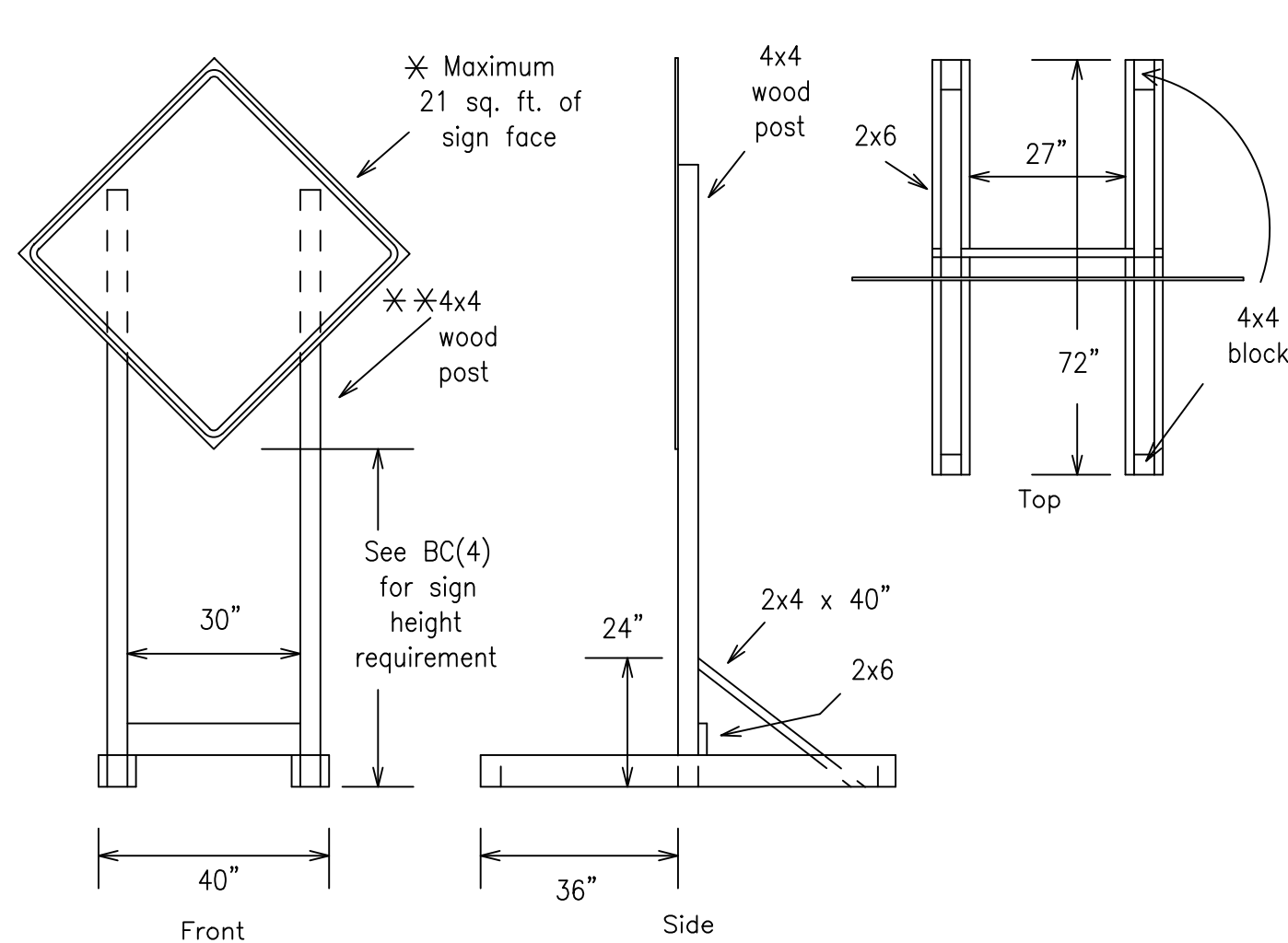
REVISION NO.

DRAWING NO.  
**C46**

SHEET 47 of 56

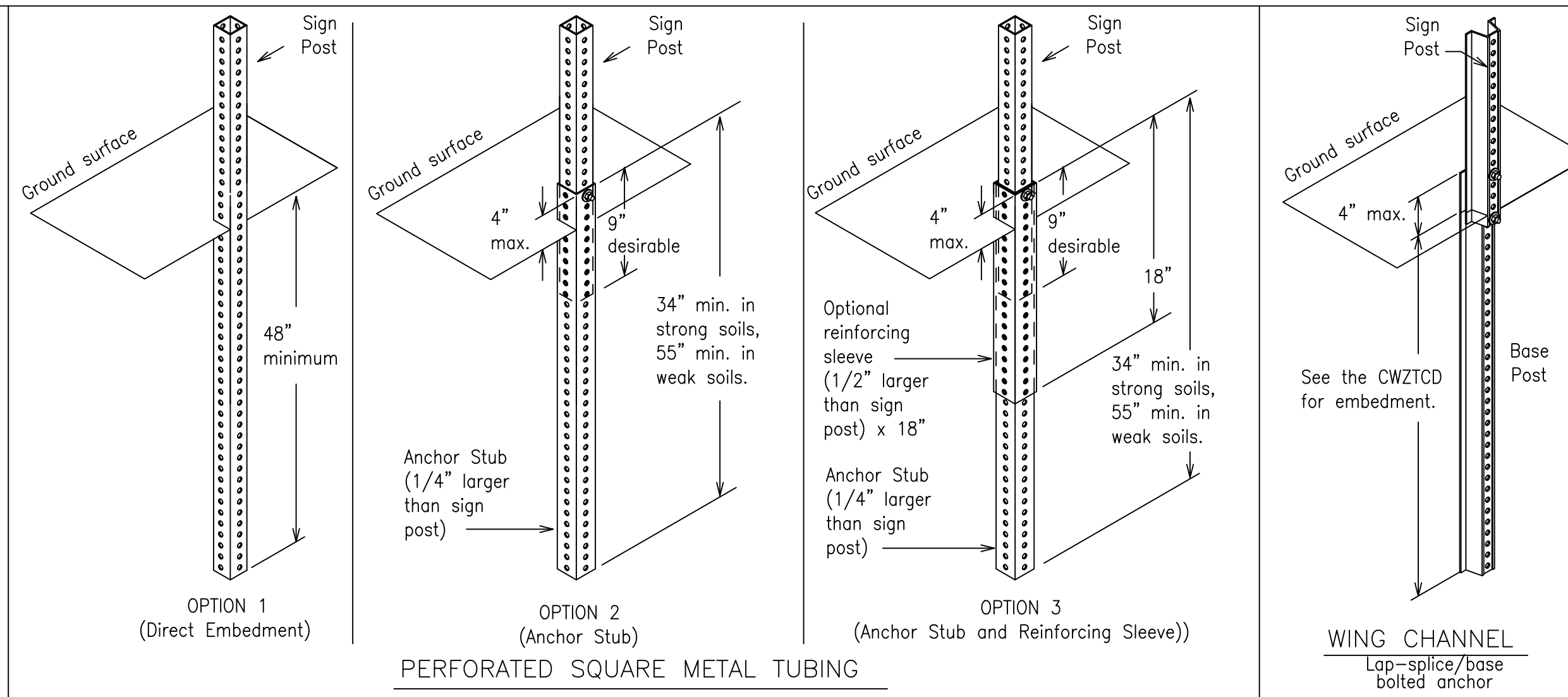


FILE NAME: I:\Projects\2021\City of Kingsville\GLO-SW PROJECT 10 - CIVIL\Drawings\2 - Drawings\2 - Civil\C46 06-TXDOT-BC-05-21.dwg LAYOUT NAME: PS PLOTTED: Tuesday, February 04, 2025 11:29am USER: martin



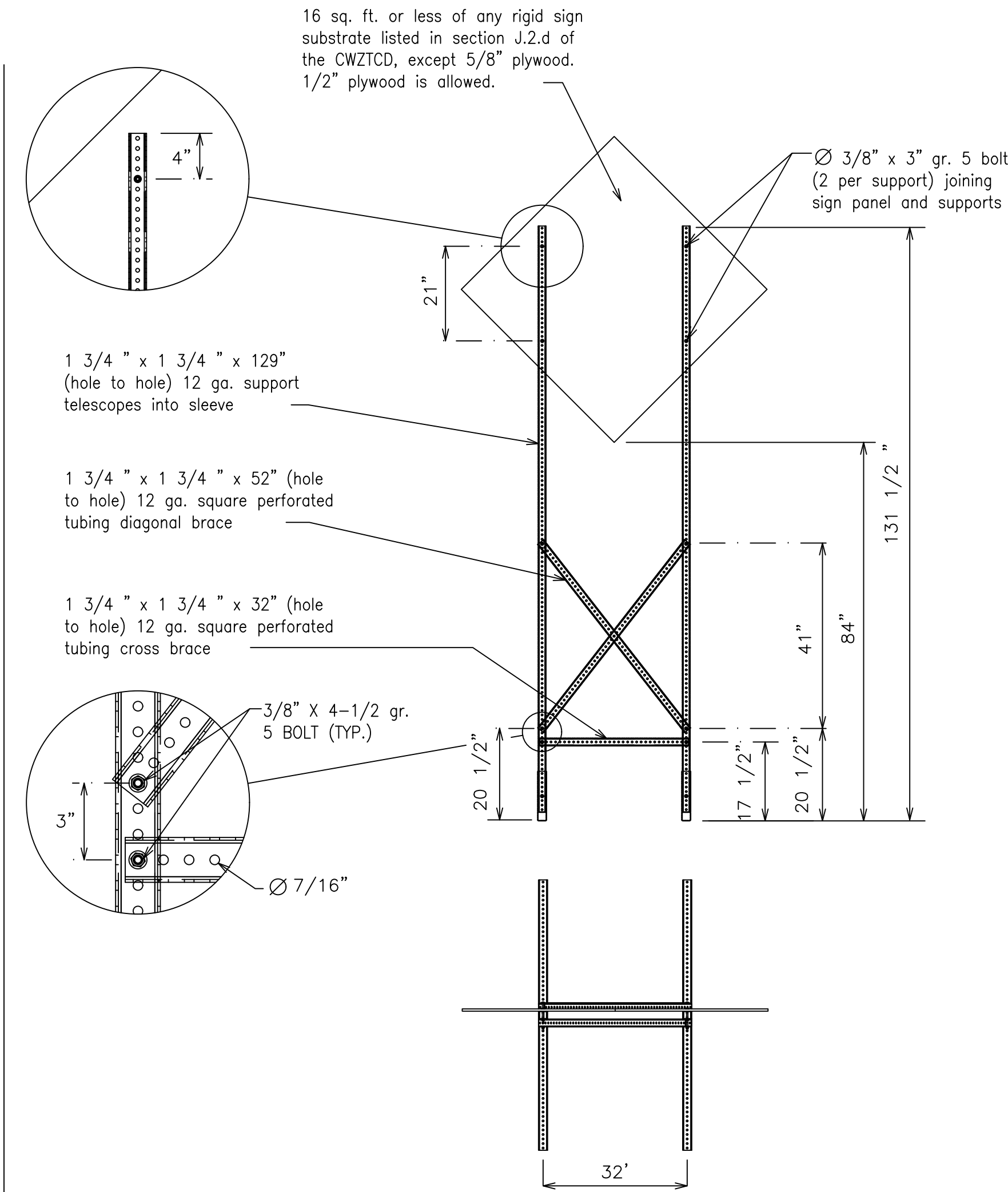
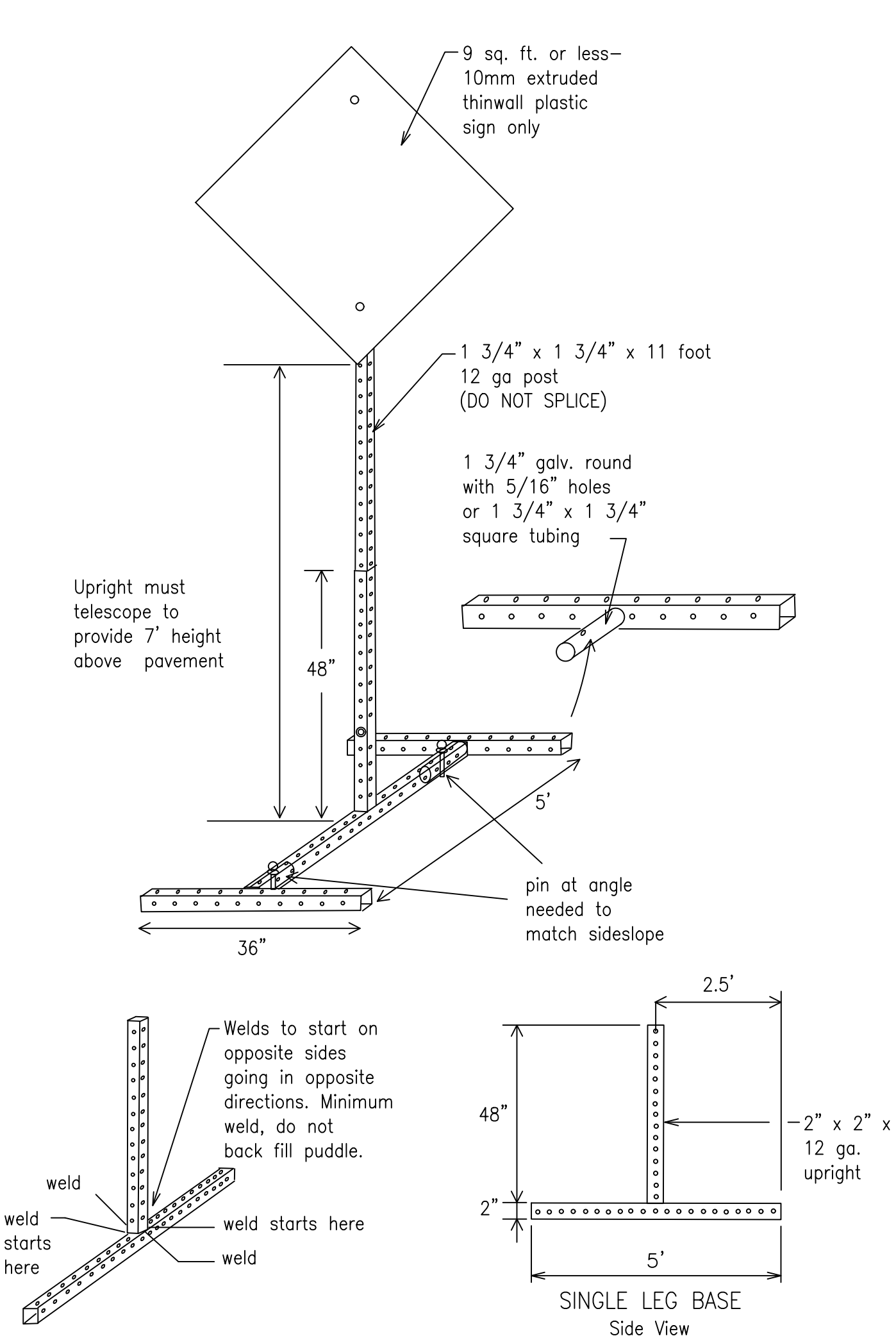
SKID MOUNTED WOOD SIGN SUPPORTS

\* LONG/INTERMEDIATE TERM STATIONARY - PORTABLE SKID MOUNTED SIGN SUPPORTS



GROUND MOUNTED SIGN SUPPORTS

Refer to the CWZTCD and the manufacturer's installation procedure for each type sign support. The maximum sign square footage shall adhere to the manufacturer's recommendation. Two post installations can be used for larger signs.



SKID MOUNTED PERFORATED SQUARE STEEL TUBING SIGN SUPPORTS

\* LONG/INTERMEDIATE TERM STATIONARY - PORTABLE SKID MOUNTED SIGN SUPPORTS

WEDGE ANCHORS

Both steel and plastic Wedge Anchor Systems as shown on the SMD Standard Sheets may be used as temporary sign supports for signs up to 10 square feet of sign face. They may be set in concrete or in sturdy soils if approved by the Engineer. (See web address for "Traffic Engineering Standard Sheets" on BC(1)).

OTHER DESIGNS

MORE DETAILS OF APPROVED LONG/INTERMEDIATE AND SHORT TERM SUPPORTS CAN BE FOUND ON THE CWZTCD LIST. SEE BC(1) FOR WEBSITE LOCATION.

GENERAL NOTES

- Nails may be used in the assembly of wooden sign supports, but 3/8" bolts with nuts or 3/8" x 3 1/2" lag screws must be used on every joint for final connection.
- No more than 2 sign posts shall be placed within a 7 ft. circle, except for specific materials noted on the CWZTCD List.
- When project is completed, all sign supports and foundations shall be removed from the project site. This will be considered subsidiary to Item 502.

- \* See BC(4) for definition of "Work Duration."
- \*\* Wood sign posts MUST be one piece. Splicing will NOT be allowed. Posts shall be painted white.
- See the CWZTCD for the type of sign substrate that can be used for each approved sign support.

SHEET 5 OF 12



Texas Department of Transportation  
 Traffic Safety Division Standard

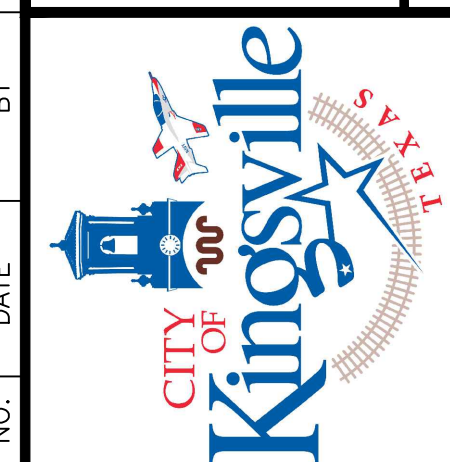
BARRICADE AND CONSTRUCTION TYPICAL SIGN SUPPORT

BC(5)-21

FILE:	bc-21.dgn	DW:	TxDOT	CK:	TxDOT	DW:	TxDOT	CK:	TxDOT
© TxDOT	November 2002	CONT	SECT	JOB	HIGHWAY				
REVISIONS									
9-07	8-14								
7-13	5-21	DIST	COUNTY	SHEET NO.					
99									



INTERNATIONAL CONSULTING ENGINEERS  
 261 SARATOGA BLVD.  
 CORPUS CHRISTI, TX 78417  
 PHONE: 361.926.5805  
 FAX: 361.926.5806  
 I.C.E. FIRM REGISTRATION #F-10837



CITY OF KINGSVILLE GLO SW PROJECT 10  
 (N. ARMSTRONG ST.) STORM WATER IMPROVEMENTS  
 KINGSVILLE, KLEBERG COUNTY, TEXAS  
 TXDOT - BARRICADE AND CONSTRUCTION TYPICAL SIGN SUPPORT BC(5)-21



WHEN NOT IN USE, REMOVE THE PCMS FROM THE RIGHT-OF-WAY OR PLACE THE PCMS BEHIND BARRIER OR GUARDRAIL WITH SIGN PANEL TURNED PARALLEL TO TRAFFIC

**PORTABLE CHANGEABLE MESSAGE SIGNS**

- The Engineer/Inspector shall approve all messages used on portable changeable message signs (PCMS).
- Messages on PCMS should contain no more than 8 words (about four to eight characters per word), not including simple words such as "TO," "FOR," "AT," etc.
- Messages should consist of a single phase, or two phases that alternate. Three-phase messages are not allowed. Each phase of the message should convey a single thought, and must be understood by itself.
- Use the word "EXIT" to refer to an exit ramp on a freeway; i.e., "EXIT CLOSED." Do not use the term "RAMP."
- Always use the route or interstate designation (IH, US, SH, FM) along with the number when referring to a roadway.
- When in use, the bottom of a stationary PCMS message panel should be a minimum 7 feet above the roadway, where possible.
- The message term "WEEKEND" should be used only if the work is to start on Saturday morning and end by Sunday evening at midnight. Actual days and hours of work should be displayed on the PCMS if work is to begin on Friday evening and/or continue into Monday morning.
- The Engineer/Inspector may select one of two options which are available for displaying a two-phase message on a PCMS. Each phase may be displayed for either four seconds each or for three seconds each.
- Do not "flash" messages or words included in a message. The message should be steady burn or continuous while displayed.
- Do not present redundant information on a two-phase message; i.e., keeping two lines of the message the same and changing the third line.
- Do not use the word "Danger" in message.
- Do not display the message "LANES SHIFT LEFT" or "LANES SHIFT RIGHT" on a PCMS. Drivers do not understand the message.
- Do not display messages that scroll horizontally or vertically across the face of the sign.
- The following table lists abbreviated words and two-word phrases that are acceptable for use on a PCMS. Both words in a phrase must be displayed together. Words or phrases not on this list should not be abbreviated, unless shown in the TMUTCD.
- PCMS character height should be at least 18 inches for trailer mounted units. They should be visible from at least 1/2 (.5) mile and the text should be legible from at least 600 feet at night and 800 feet in daylight. Truck mounted units must have a character height of 10 inches and must be legible from at least 400 feet.
- Each line of text should be centered on the message board rather than left or right justified.
- If disabled, the PCMS should default to an illegible display that will not alarm motorists and will only be used to alert workers that the PCMS has malfunctioned. A pattern such as a series of horizontal solid bars is appropriate.

WORD OR PHRASE	ABBREVIATION	WORD OR PHRASE	ABBREVIATION
Access Road	ACCS RD	Major	MAJ
Alternate	ALT	Miles	MI
Avenue	AVE	Miles Per Hour	MPH
Best Route	BEST RTE	Minor	MNR
Boulevard	BLVD	Monday	MON
Bridge	BRDG	Normal	NORM
Cannot	CANT	North	N
Center	CTR	Northbound	(route) N
Construction Ahead	CONST AHD	Parking	PKING
CROSSING	XING	Road	RD
Detour Route	DETOUR RTE	Right Lane	RT LN
Do Not	DONT	Saturday	SAT
East	E	Service Road	SERV RD
Eastbound	(route) E	Shoulder	SHLDR
Emergency	EMER	Slippery	SLIP
Emergency Vehicle	EMER VEH	South	S
Entrance, Enter	ENT	Southbound	(route) S
Express Lane	EXP LN	Speed	SPD
Expressway	EXPWY	Street	ST
XXXX Feet	XXXX FT	Sunday	SUN
Fog Ahead	FOG AHD	Telephone	PHONE
Freeway	FRWY, FWY	Temporary	TEMP
Freeway Blocked	FWY BLKD	Thursday	THURS
Friday	FRI	To Downtown	TO DWTN
Hazardous Driving	HAZ DRIVING	Traffic	TRAF
Hazardous Material	HAZMAT	Travelers	TRVRS
High-Occupancy	HOV	Tuesday	TUES
Vehicle Highway	HWY	Time Minutes	TIME MIN
Hour(s)	HR, HRS	Upper Level	UPR LEVEL
Information	INFO	Vehicles (s)	VEH, VEHS
It Is	ITS	Warning	WARN
Junction	JCT	Wednesday	WED
Left	LFT	Weight Limit	WT LIMIT
Left Lane	LFT LN	West	W
Lane Closed	LN CLOSED	Westbound	(route) W
Lower Level	LWR LEVEL	West Pavement	WET PVMT
Maintenance	MAINT	Will Not	WONT

Roadway designation # IH=number, US=number, SH=number, FM=number

**RECOMMENDED PHASES AND FORMATS FOR PCMS MESSAGES DURING ROADWORK ACTIVITIES**

(The Engineer may approve other messages not specifically covered here.)

**Phase 1: Condition Lists**

**Road/Lane/Ramp Closure List**

FREEWAY CLOSED X MILE
ROAD CLOSED AT SH XXX
ROAD CLSD AT FM XXXX
RIGHT X LANES CLOSED
CENTER LANE CLOSED
NIGHT LANE CLOSURES
VARIOUS LANES CLOSED
EXIT CLOSED
MALL DRIVEWAY CLOSED
XXXXXXXXX BLVD CLOSED

**Other Condition List**

FRONTAGE ROAD CLOSED
SHOULDER CLOSED XXX FT
RIGHT LN CLOSED XXX FT
RIGHT X LANES OPEN
DAYTIME LANE CLOSURES
I-XX SOUTH EXIT CLOSED
EXIT XXX CLOSED X MILE
RIGHT LN TO BE CLOSED
X LANES CLOSED TUE - FRI

ROADWORK XXX FT
FLAGGER XXXX FT
RIGHT LN NARROWS XXXX FT
MERGING TRAFFIC XXXX FT
LOOSE GRAVEL XXXX FT
DETOUR X MILE
ROADWORK PAST SH XXXX
BUMP XXXX FT
TRAFFIC SIGNAL XXXX FT

ROAD REPAIRS XXXX FT
LANE NARROWS XXXX FT
TWO-WAY TRAFFIC XX MILE
CONST TRAFFIC XXX FT
UNEVEN LANES XXXX FT
ROUGH ROAD XXXX FT
ROADWORK FRI-SUN
US XXX EXIT X MILES
LANES SHIFT

\* LANES SHIFT in Phase 1 must be used with STAY IN LANE in Phase 2.

**APPLICATION GUIDELINES**

- Only 1 or 2 phases are to be used on a PCMS.
- The 1st phase (or both) should be selected from the "Road/Lane/Ramp Closure List" and the "Other Condition List".
- A 2nd phase can be selected from the "Action to Take/Effect on Travel, Location, General Warning, or Advance Notice Phase Lists".
- A Location Phase is necessary only if a distance or location is not included in the first phase selected.
- If two PCMS are used in sequence, they must be separated by a minimum of 1000 ft. Each PCMS shall be limited to two phases, and should be understandable by themselves.
- For advance notice, when the current date is within seven days of the actual work date, calendar days should be replaced with days of the week. Advance notification should typically be for no more than one week prior to the work.

PCMS SIGNS WITHIN THE R.O.W. SHALL BE BEHIND GUARDRAIL OR CONCRETE BARRIER OR SHALL HAVE A MINIMUM OF FOUR (4) PLASTIC DRUMS PLACED PERPENDICULAR TO TRAFFIC ON THE UPSTREAM SIDE OF THE PCMS, WHEN EXPOSED TO ONE DIRECTION OF TRAFFIC. WHEN EXPOSED TO TWO WAY TRAFFIC, THE FOUR DRUMS SHOULD BE PLACED WITH ONE DRUM AT EACH OF THE FOUR CORNERS OF THE UNIT.

**FULL MATRIX PCMS SIGNS**

- When Full Matrix PCMS signs are used, the character height and legibility/visibility requirements shall be maintained as listed in Note 15 under "PORTABLE CHANGEABLE MESSAGE SIGNS" above.
- When symbol signs, such as the "Flagger Symbol"(CW20-7) are represented graphically on the Full Matrix PCMS sign and, with the approval of the Engineer, it shall maintain the legibility/visibility requirement listed above.
- When symbol signs are represented graphically on the Full Matrix PCMS, they shall only supplement the use of the static sign represented, and shall not substitute for, or replace that sign.
- A full matrix PCMS may be used to simulate a flashing arrow board provided it meets the visibility, flash rate and dimming requirements on BC(7), for the same size arrow.

**Phase 2: Possible Component Lists**

**Action to Take/Effect on Travel List**

MERGE RIGHT
DETOUR NEXT X EXITS
USE EXIT XXX
STAY ON US XXX SOUTH
TRUCKS USE US XXX N
WATCH FOR TRUCKS
EXPECT DELAYS
REDUCE SPEED XXX FT
USE OTHER ROUTES
STAY IN LANE *

FORM X LINES RIGHT
USE XXXX RD EXIT
USE EXIT I-XX NORTH
USE I-XX E TO I-XX N
WATCH FOR TRUCKS
EXPECT DELAYS
PREPARE TO STOP
END SHOULDER USE
WATCH FOR WORKERS

**Location List**

AT FM XXXX
BEFORE RAILROAD CROSSING
NEXT X MILES
PAST US XXX EXIT
XXXXXXXXX TO XXXXXXXX
US XXX TO FM XXXX

**Warning List**

SPEED LIMIT XX MPH
MAXIMUM SPEED XX MPH
MINIMUM SPEED XX MPH
ADVISORY SPEED XX MPH
RIGHT LANE EXIT
USE CAUTION
DRIVE SAFELY
DRIVE WITH CARE

**\*\* Advance Notice List**

TUE-FRI XX AM-X PM
APR XX-XX X PM-X AM
BEGINS MONDAY
BEGINS MAY XX
MAY X-X XX PM - XX AM
NEXT FRI-SUN
XX AM TO XX PM
NEXT TUE AUG XX
TONIGHT XX PM-XX AM

\*\* See Application Guidelines Note 6.

**WORDING ALTERNATIVES**

- The words RIGHT, LEFT and ALL can be interchanged as appropriate.
- Roadway designations IH, US, SH, FM and LP can be interchanged as appropriate.
- EAST, WEST, NORTH and SOUTH (or abbreviations E, W, N and S) can be interchanged as appropriate.
- Highway names and numbers replaced as appropriate.
- ROAD, HIGHWAY and FREEWAY can be interchanged as needed.
- AHEAD may be used instead of distances if necessary.
- FT and MI, MILE and MILES interchanged as appropriate.
- AT, BEFORE and PAST interchanged as needed.
- Distances or AHEAD can be eliminated from the message if a location phase is used.

SHEET 6 OF 12

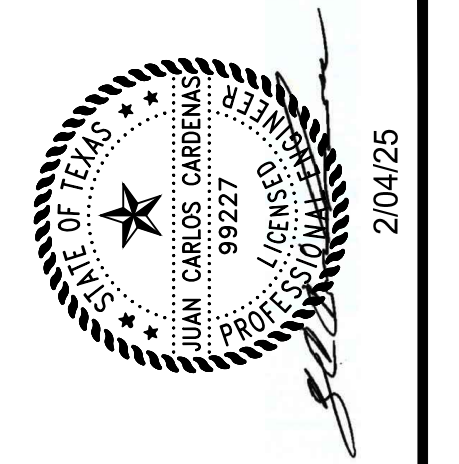


BARRICADE AND CONSTRUCTION PORTABLE CHANGEABLE MESSAGE SIGN (PCMS)

BC(6)-21

FILE: bc-21.dgn	DN: TxDOT	CK: TxDOT	DM: TxDOT	CR: TxDOT
© TxDOT November 2002	CONT	SECT	JOB	HIGHWAY
REVISIONS				
9-07 8-14				
7-13 5-21				
100	DIST	COUNTY	SHEET NO.	

CONSULTANT'S SHEET PROJECT NO. 21107-01B



**CITY OF KINGSVILLE GLO SW PROJECT 10 (N. ARMSTRONG ST.) STORM WATER IMPROVEMENTS**  
KINGSVILLE, KLEBERG COUNTY, TEXAS

**TXDOT- BARRICADE AND CONSTRUCTION PORTABLE CHANGEABLE MESSAGE SIGN (PCMS) BC(6)-21**

DRAWING NO. **C48**

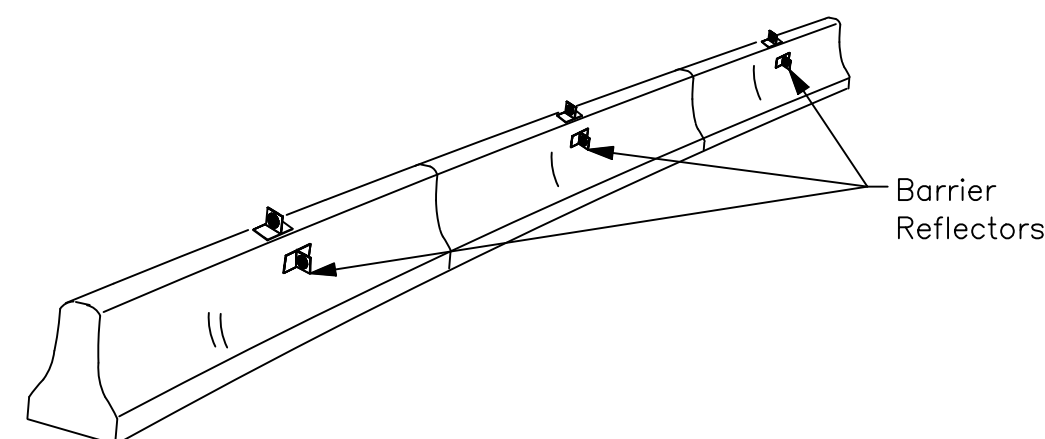
SHEET 49 of 56

FILE NAME: I:\Projects\2021\City of Kingsville\GLO-LOC10 SW N ARMSTRONG ST\1-Drawings\2 - Drawings\2 - Civil\C47-07-TXDOT-BC-06-21.dwg LAYOUT NAME: PS\_PLOTTED: Tuesday, February 04, 2025 - 11:30am USER: martin

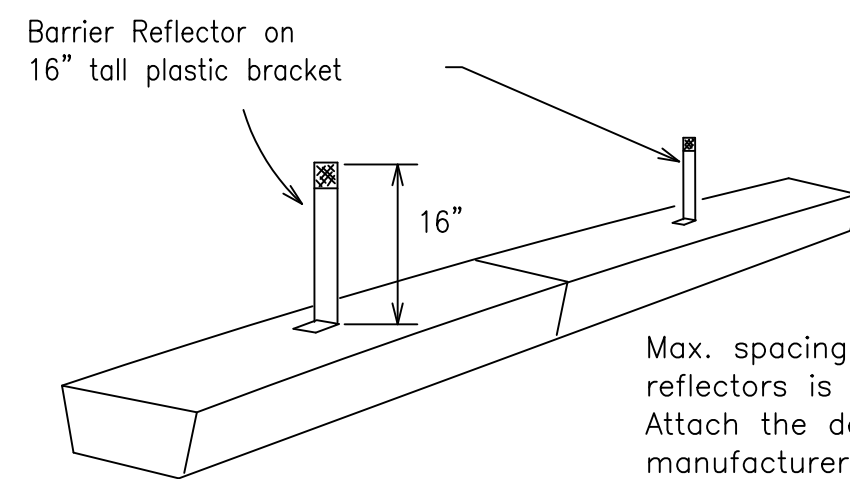


FILE NAME: I:\Projects\2021\City of Kingsville\GLO-SW-LOC10-SW-N-ARMSTRONG-ST-V1-Drawings\2 - Drawings\2 - Civil\C48-08-TXDOT-BC-07-21.dwg LAYOUT NAME: PS PLOTTED: Tuesday, February 04, 2025 - 11:30am USER: martin

- Barrier Reflectors shall be pre-qualified, and conform to the color and reflectivity requirements of DMS-8600. A list of prequalified Barrier Reflectors can be found at the Material Producer List web address shown on BC(1).
- Color of Barrier Reflectors shall be as specified in the TMUTCD. The cost of the reflectors shall be considered subsidiary to Item 512.



CONCRETE TRAFFIC BARRIER (CTB)



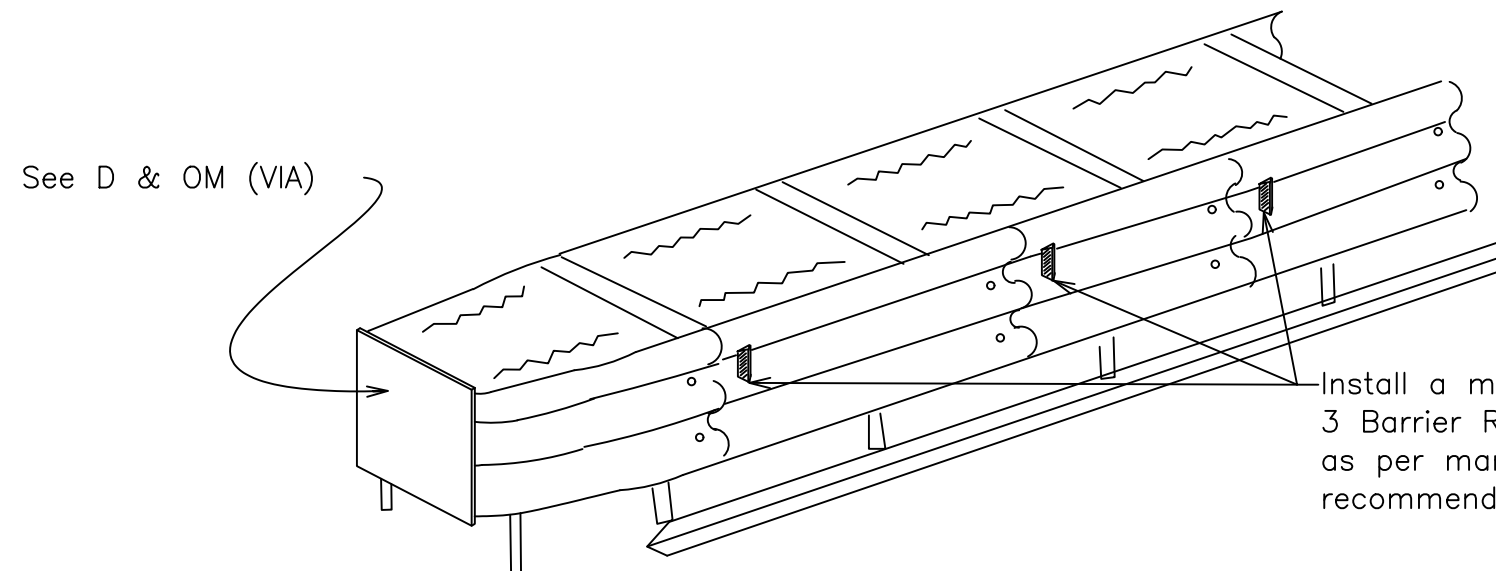
LOW PROFILE CONCRETE BARRIER (LPCB)

**LOW PROFILE CONCRETE BARRIER (LPCB) USED IN WORK ZONES**

LPCB is approved for use in work zone locations, where the posted speed is 45mph, or less. See Roadway Standard Sheet LPCB.

Max. spacing of barrier reflectors is 20 feet. Attach the delineators as per manufacturer's recommendations.

See D & OM (VIA)



DELINEATION OF END TREATMENTS

**END TREATMENTS FOR CTB'S USED IN WORK ZONES**

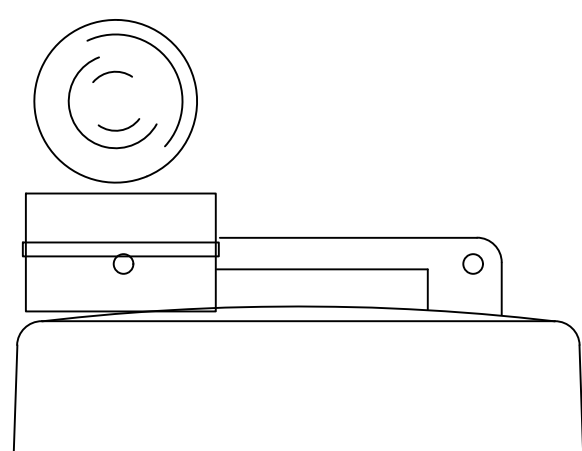
End treatments used on CTB's in work zones shall meet the appropriate crashworthy standards as defined in the Manual for Assessing Safety Hardware (MASH). Refer to the CWZTCD List for approved end treatments and manufacturers.

- Where traffic is on one side of the CTB, two (2) Barrier Reflectors shall be mounted in approximately the midsection of each section of CTB. This will allow for attachment of a barrier grapple without damaging the reflector. The Barrier Reflector mounted on the side of the CTB shall be located directly below the reflector mounted on top of the barrier, as shown in the detail above.
- Where CTB separates two-way traffic, three barrier reflectors shall be mounted on each section of CTB. The reflector unit on top shall have two yellow reflective faces (Bi-Directional) while the reflectors on each side of the barrier shall have one yellow reflective face, as shown in the detail above.
- When CTB separates traffic traveling in the same direction, no barrier reflectors will be required on top of the CTB.
- Barrier Reflector units shall be yellow or white in color to match the edgeline being supplemented.
- Maximum spacing of Barrier Reflectors is forty (40) feet.
- Pavement markers or temporary flexible-reflective roadway marker tabs shall NOT be used as CTB delineation.
- Attachment of Barrier Reflectors to CTB shall be per manufacturer's recommendations.
- Missing or damaged Barrier Reflectors shall be replaced as directed by the Engineer.
- Single slope barriers shall be delineated as shown on the above detail.

**BARRIER REFLECTORS FOR CONCRETE TRAFFIC BARRIER AND ATTENUATORS**

**WARNING LIGHTS**

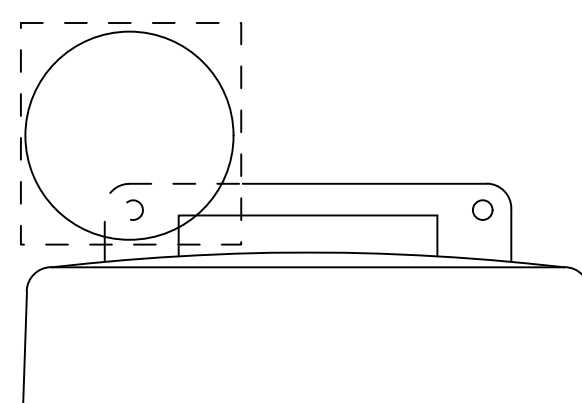
- Warning lights shall meet the requirements of the TMUTCD.
- Warning lights shall NOT be installed on barricades.
- Type A-Low Intensity Flashing Warning Lights are commonly used with drums. They are intended to warn of or mark a potentially hazardous area. Their use shall be as indicated on this sheet and/or other sheets of the plans by the designation "FL". The Type A Warning Lights shall not be used with signs manufactured with Type B or C sheeting meeting the requirements of Departmental Material Specification DMS-8300.
- Type-C and Type D 360 degree Steady Burn Lights are intended to be used in a series for delineation to supplement other traffic control devices. Their use shall be as indicated on this sheet and/or other sheets of the plans by the designation "SB".
- The Engineer/Inspector or the plans shall specify the location and type of warning lights to be installed on the traffic control devices.
- When required by the Engineer, the Contractor shall furnish a copy of the warning lights certification. The warning light manufacturer will certify the warning lights meet the requirements of the latest ITE Purchase Specifications for Flashing and Steady-Burn Warning Lights.
- When used to delineate curves, Type-C and Type D Steady Burn Lights should only be placed on the outside of the curve, not the inside.
- The location of warning lights and warning reflectors on drums shall be as shown elsewhere in the plans.



Type C Warning Light or approved substitute mounted on a drum adjacent to the travel way.

**WARNING LIGHTS MOUNTED ON PLASTIC DRUMS**

- Type A flashing warning lights are intended to warn drivers that they are approaching or are in a potentially hazardous area.
- Type A random flashing warning lights are not intended for delineation and shall not be used in a series.
- A series of sequential flashing warning lights placed on channelizing devices to form a merging taper may be used for delineation. If used, the successive flashing of the sequential warning lights should occur from the beginning of the taper to the end of the merging taper in order to identify the desired vehicle path. The rate of flashing for each light shall be 65 flashes per minute, plus or minus 10 flashes.
- Type C and D steady-burn warning lights are intended to be used in a series to delineate the edge of the travel lane on detours, on lane changes, on lane closures, and on other similar conditions.
- Type A, Type C and Type D warning lights shall be installed at locations as detailed on other sheets in the plans.
- Warning lights shall not be installed on a drum that has a sign, chevron or vertical panel.
- The maximum spacing for warning lights on drums should be identical to the channelizing device spacing.



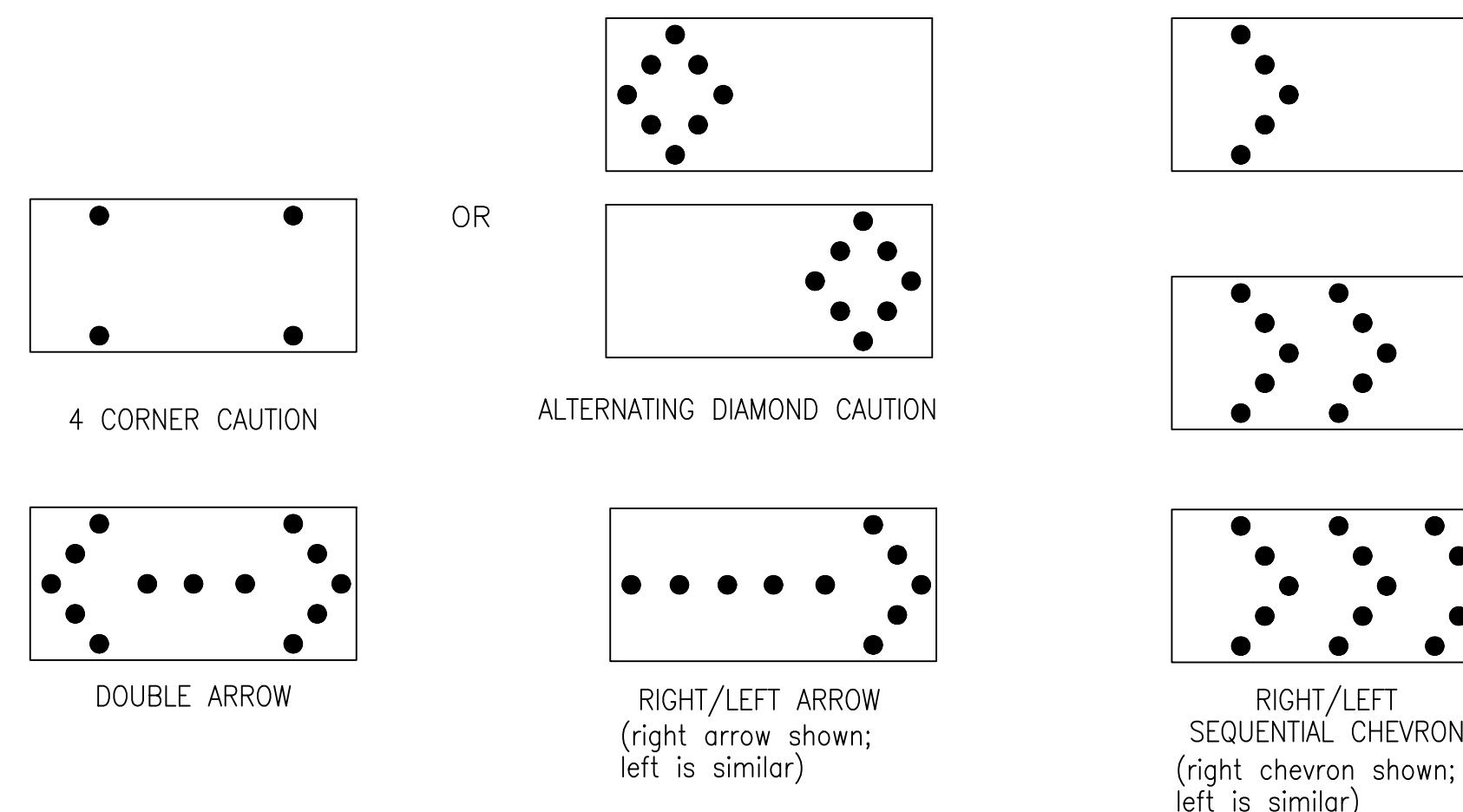
Warning reflector may be round or square. Must have a yellow reflective surface area of at least 30 square inches

**WARNING REFLECTORS MOUNTED ON PLASTIC DRUMS AS A SUBSTITUTE FOR TYPE C (STEADY BURN) WARNING LIGHTS**

- A warning reflector or approved substitute may be mounted on a plastic drum as a substitute for a Type C, steady burn warning light at the discretion of the Contractor unless otherwise noted in the plans.
- The warning reflector shall be yellow in color and shall be manufactured using a sign substrate approved for use with plastic drums listed on the CWZTCD.
- The warning reflector shall have a minimum retroreflective surface area (one-side) of 30 square inches.
- Round reflectors shall be fully reflectorized, including the area where attached to the drum.
- Square substrates must have a minimum of 30 square inches of reflectorized sheeting. They do not have to be reflectorized where it attaches to the drum.
- The side of the warning reflector facing approaching traffic shall have sheeting meeting the color and retroreflectivity requirements for DMS 8300-Type B or Type C.
- When used near two-way traffic, both sides of the warning reflector shall be reflectorized.
- The warning reflector should be mounted on the side of the handle nearest approaching traffic.
- The maximum spacing for warning reflectors should be identical to the channelizing device spacing requirements.

Arrow Boards may be located behind channelizing devices in place for a shoulder taper or merging taper, otherwise they shall be delineated with four (4) channelizing devices placed perpendicular to traffic on the upstream side of traffic.

- The Flashing Arrow Board should be used for all lane closures on multi-lane roadways, or slow moving maintenance or construction activities on the travel lanes.
- Flashing Arrow Boards should not be used on two-lane, two-way roadways, detours, diversions or work on shoulders unless the "CAUTION" display (see detail below) is used.
- The Engineer/Inspector shall choose all appropriate signs, barricades and/or other traffic control devices that should be used in conjunction with the Flashing Arrow Board. The Flashing Arrow Board should be able to display the following symbols:



- The "CAUTION" display consists of four corner lamps flashing simultaneously, or the Alternating Diamond Caution mode as shown.
- The straight line caution display is NOT ALLOWED.
- The Flashing Arrow Board shall be capable of minimum 50 percent dimming from rated lamp voltage. The flashing rate of the lamps shall not be less than 25 nor more than 40 flashes per minute.
- Minimum lamp "on time" shall be approximately 50 percent for the flashing arrow and equal intervals of 25 percent for each sequential phase of the flashing chevron.
- The sequential arrow display is NOT ALLOWED.
- The flashing arrow display is the TxDOT standard; however, the sequential chevron display may be used during daylight operations.
- The Flashing Arrow Board shall be mounted on a vehicle, trailer or other suitable support.
- A Flashing Arrow Board SHALL NOT BE USED to laterally shift traffic.
- A full matrix PCMS may be used to simulate a Flashing Arrow Board provided it meets visibility, flash rate and dimming requirements on this sheet for the same size arrow.
- Minimum mounting height of trailer mounted Arrow Boards should be 7 feet from roadway to bottom of panel.

REQUIREMENTS			
TYPE	MINIMUM SIZE	MINIMUM NUMBER OF PANEL LAMPS	MINIMUM VISIBILITY DISTANCE
B	30 x 60	13	3/4 mile
C	48 x 96	15	1 mile

**ATTENTION**  
Flashing Arrow Boards shall be equipped with automatic dimming devices.

WHEN NOT IN USE, REMOVE THE ARROW BOARD FROM THE RIGHT-OF-WAY OR PLACE THE ARROW BOARD BEHIND CONCRETE TRAFFIC BARRIER OR GUARDRAIL.

**FLASHING ARROW BOARDS**

SHEET 7 OF 12

**TRUCK-MOUNTED ATTENUATORS**

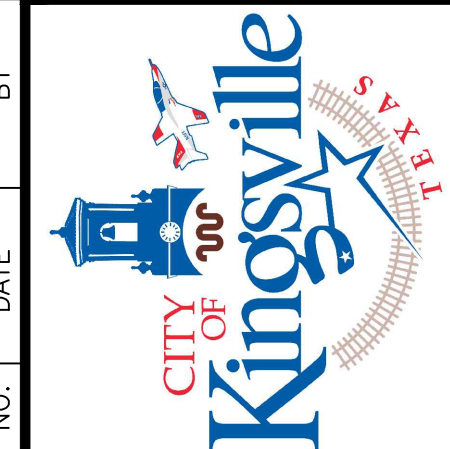
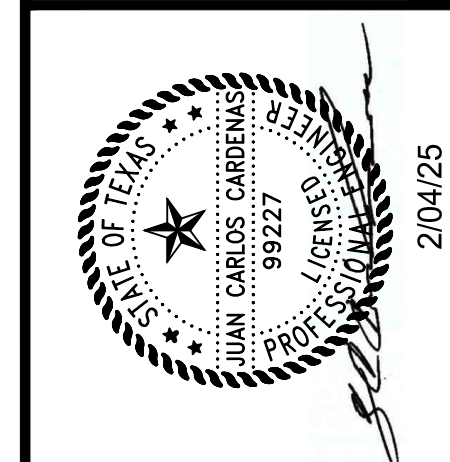
- Truck-mounted attenuators (TMA) used on TxDOT facilities must meet the requirements outlined in the Manual for Assessing Safety Hardware (MASH).
- Refer to the CWZTCD for the requirements of Level 2 or Level 3 TMAs.
- Refer to the CWZTCD for a list of approved TMAs.
- TMAs are required on freeways unless otherwise noted in the plans.
- A TMA should be used anytime that it can be positioned 30 to 100 feet in advance of the area of crew exposure without adversely affecting the work performance.
- The only reason a TMA should not be required is when a work area is spread down the roadway and the work crew is an extended distance from the TMA.



**BARRICADE AND CONSTRUCTION ARROW PANEL, REFLECTORS, WARNING LIGHTS & ATTENUATOR**

BC(7)-21

FILE:	bc-21.dgn	DN:	TxDOT	CK:	TxDOT	DW:	TxDOT	CK:	TxDOT
© TxDOT	November 2002	CONT	SECT	JOB	HIGHWAY				
REVISIONS									
9-07	8-14								
7-13	5-21	DIST	COUNTY	SHEET NO.					



**CITY OF KINGSVILLE GLO SW PROJECT 10 (N. ARMSTRONG ST.) STORM WATER IMPROVEMENTS**  
KINGSVILLE, KLEBERG COUNTY, TEXAS

**TXDOT- BARRICADE AND CONSTRUCTION ARROW PANEL, REFLECTORS, WARNING LIGHTS & ATTENUATOR BC(7)-21**



FILE NAME: I:\Projects\2021\City of Kingsville\GLO-SW-LOC10-SW-ARMSTRONG-ST\1-Drawings\2-Civil\C49-09-TXDOT-BC-08-21.dwg LAYOUT NAME: PS PLOTTED: Tuesday, February 04, 2025 11:30am USER: martin

**GENERAL NOTES**

- For long term stationary work zones on freeways, drums shall be used as the primary channelizing device.
- For intermediate term stationary work zones on freeways, drums should be used as the primary channelizing device but may be replaced in tangent sections by vertical panels, or 42" two-piece cones. In tangent sections, one-piece cones may be used with the approval of the Engineer but only if personnel are present on the project at all times to maintain the cones in proper position and location.
- For short term stationary work zones on freeways, drums are the preferred channelizing device but may be replaced in tapers, transitions and tangent sections by vertical panels, two-piece cones or one-piece cones as approved by the Engineer.
- Drums and all related items shall comply with the requirements of the current version of the "Texas Manual on Uniform Traffic Control Devices" (TMUTCD) and the "Compliant Work Zone Traffic Control Devices List" (CWZTCD).
- Drums, bases, and related materials shall exhibit good workmanship and shall be free from objectionable marks or defects that would adversely affect their appearance or serviceability.
- The Contractor shall have a maximum of 24 hours to replace any plastic drums identified for replacement by the Engineer/Inspector. The replacement device must be an approved device.

**GENERAL DESIGN REQUIREMENTS**

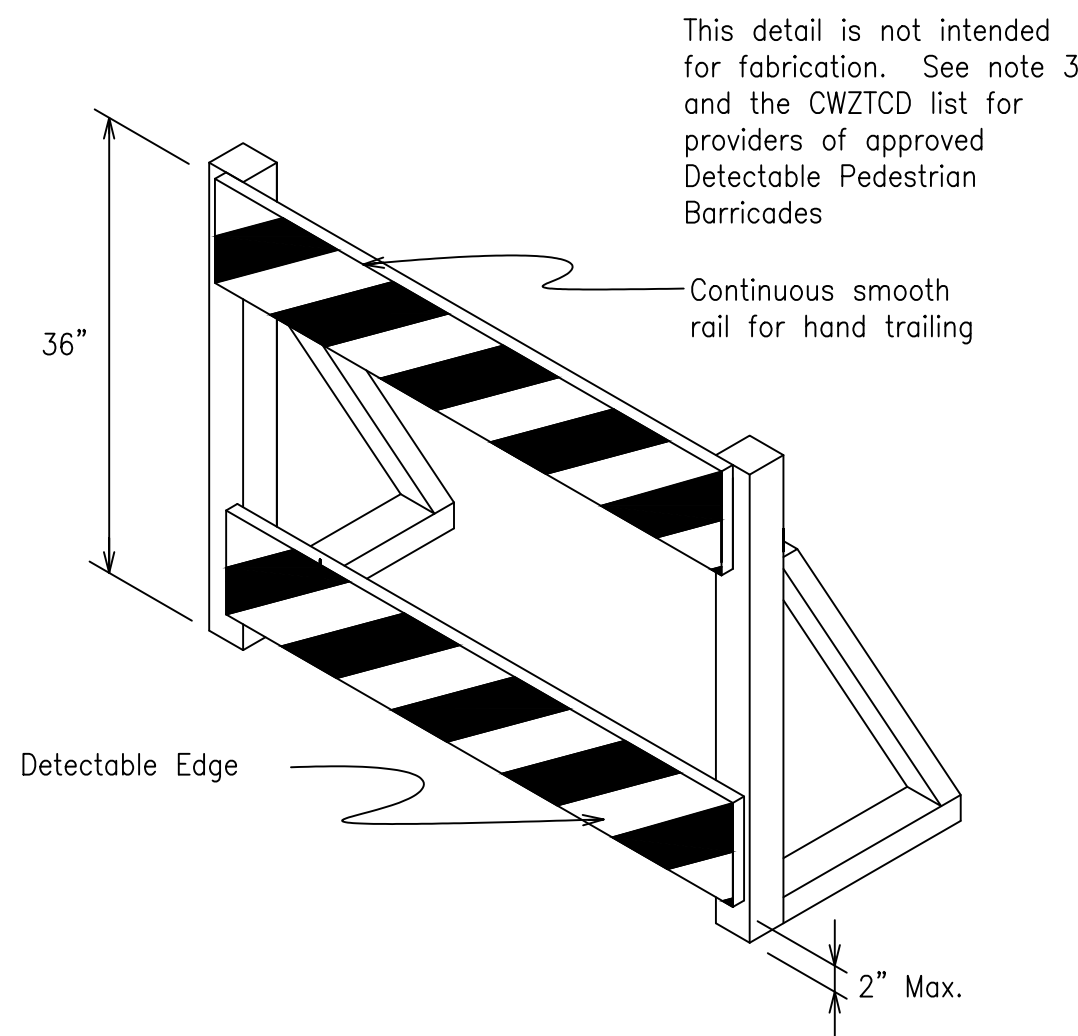
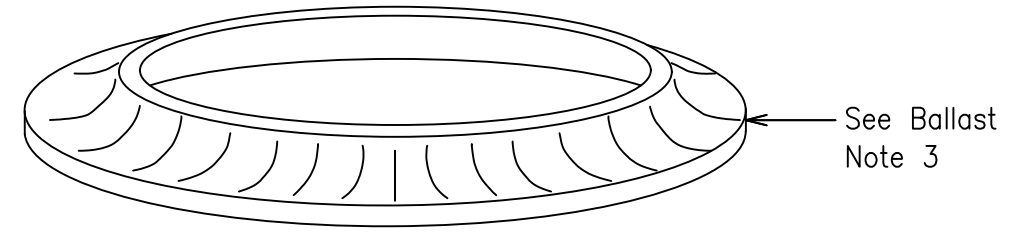
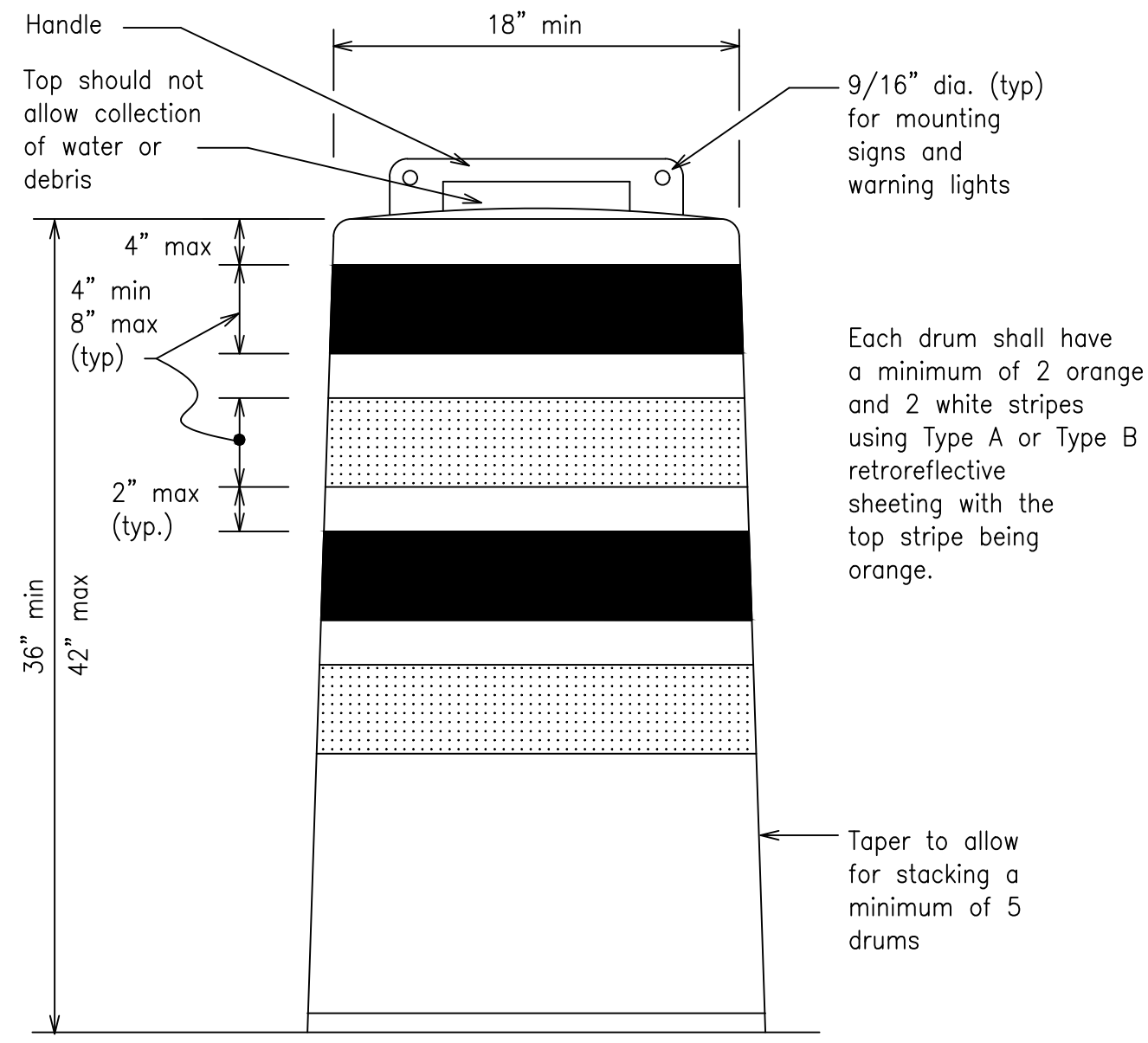
- Pre-qualified plastic drums shall meet the following requirements:
- Plastic drums shall be a two-piece design; the "body" of the drum shall be the top portion and the "base" shall be the bottom.
  - The body and base shall lock together in such a manner that the body separates from the base when impacted by a vehicle traveling at a speed of 20 MPH or greater but prevents accidental separation due to normal handling and/or air turbulence created by passing vehicles.
  - Plastic drums shall be constructed of lightweight flexible, and deformable materials. The Contractor shall NOT use metal drums or single piece plastic drums as channelization devices or sign supports.
  - Drums shall present a profile that is a minimum of 18 inches in width at the 36 inch height when viewed from any direction. The height of drum unit (body installed on base) shall be a minimum of 36 inches and a maximum of 42 inches.
  - The top of the drum shall have a built-in handle for easy pickup and shall be designed to drain water and not collect debris. The handle shall have a minimum of two widely spaced 9/16 inch diameter holes to allow attachment of a warning light, warning reflector unit or approved compliant sign.
  - The exterior of the drum body shall have a minimum of four alternating orange and white retroreflective circumferential stripes not less than 4 inches nor greater than 8 inches in width. Any non-reflectORIZED space between any two adjacent stripes shall not exceed 2 inches in width.
  - Bases shall have a maximum width of 36 inches, a maximum height of 4 inches, and a minimum of two footholds of sufficient size to allow base to be held down while separating the drum body from the base.
  - Plastic drums shall be constructed of ultra-violet stabilized, orange, high-density polyethylene (HDPE) or other approved material.
  - Drum body shall have a maximum unballasted weight of 11 lbs.
  - Drum and base shall be marked with manufacturer's name and model number.

**RETROREFLECTIVE SHEETING**

- The stripes used on drums shall be constructed of sheeting meeting the color and retroreflectivity requirements of Departmental Materials Specification DMS-8300, "Sign Face Materials." Type A or Type B reflective sheeting shall be supplied unless otherwise specified in the plans.
- The sheeting shall be suitable for use on and shall adhere to the drum surface such that, upon vehicular impact, the sheeting shall remain adhered in-place and exhibit no delaminating, cracking, or loss of retroreflectivity other than that loss due to abrasion of the sheeting surface.

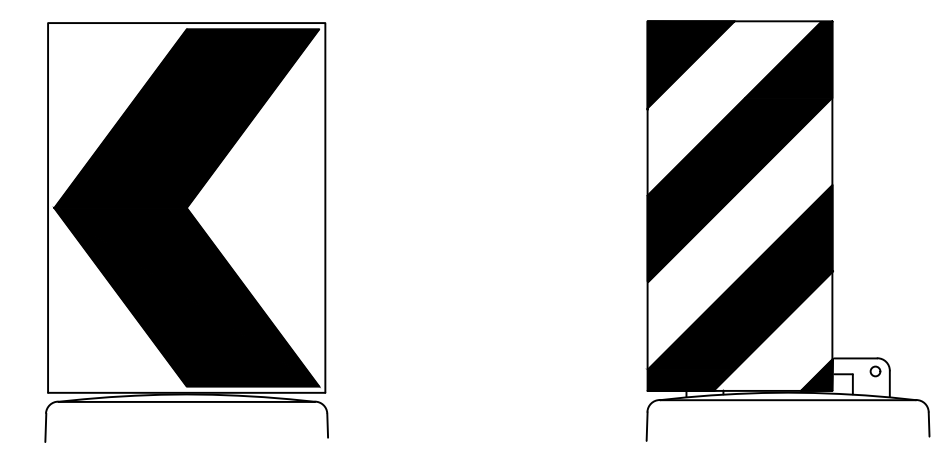
**BALLAST**

- Unballasted bases shall be large enough to hold up to 50 lbs. of sand. This base, when filled with the ballast material, should weigh between 35 lbs (minimum) and 50 lbs (maximum). The ballast may be sand in one to three sandbags separate from the base, sand in a sand-filled plastic base, or other ballasting devices as approved by the Engineer. Stacking of sandbags will be allowed, however height of sandbags above pavement surface may not exceed 12 inches.
- Bases with built-in ballast shall weigh between 40 lbs. and 50 lbs. Built-in ballast can be constructed of an integral crumb rubber base or a solid rubber base.
- Recycled truck tire sidewalls may be used for ballast on drums approved for this type of ballast on the CWZTCD list.
- The ballast shall not be heavy objects, water, or any material that would become hazardous to motorists, pedestrians, or workers when the drum is struck by a vehicle.
- When used in regions susceptible to freezing, drums shall have drainage holes in the bottoms so that water will not collect and freeze becoming a hazard when struck by a vehicle.
- Ballast shall not be placed on top of drums.
- Adhesives may be used to secure base of drums to pavement.



**DETECTABLE PEDESTRIAN BARRICADES**

- When existing pedestrian facilities are disrupted, closed, or relocated in a TTC zone, the temporary facilities shall be detectable and include accessibility features consistent with the features present in the existing pedestrian facility. Refer to WZ(BTS-2) for Pedestrian Control requirements for Sidewalk Diversions, Sidewalk Detours and Crosswalk Closures.
- Where pedestrians with visual disabilities normally use the closed sidewalk, a Detectable Pedestrian Barricade shall be placed across the full width of the closed sidewalk instead of a Type 3 Barricade.3. Detectable pedestrian barricades similar to the one pictured above, longitudinal channelizing devices, some concrete barriers, and wood or chain link fencing with a continuous detectable edging can satisfactorily delineate a pedestrian path.4. Tape, rope, or plastic chain strung between devices are not detectable, do not comply with the design standards in the "Americans with Disabilities Act Accessibility Guidelines (ADAAG)" and should not be used as a control for pedestrian movements.5. Warning lights shall not be attached to detectable pedestrian barricades.
- Detectable pedestrian barricades should use 8" nominal barricade rails as shown on BC(10) provided that the top rail provides a smooth continuous rail suitable for hand trailing with no splinters, burrs, or sharp edges.



18" x 24" Sign (Maximum Sign Dimension)  
Chevron CW1-8, Opposing Traffic Lane Divider, Driveway sign D70a, Keep Right R4 series or other signs as approved by Engineer

12" x 24" Vertical Panel  
mount with diagonals sloping down towards travel way

Plywood, Aluminum or Metal sign substrates shall NOT be used on plastic drums

**SIGNS, CHEVRONS, AND VERTICAL PANELS MOUNTED ON PLASTIC DRUMS**

- Signs used on plastic drums shall be manufactured using substrates listed on the CWZTCD.
- Chevrons and other work zone signs with an orange background shall be manufactured with Type B or Type C Orange sheeting meeting the color and retroreflectivity requirements of DMS-8300, "Sign Face Material," unless otherwise specified in the plans.
- Vertical Panels shall be manufactured with orange and white sheeting meeting the requirements of DMS-8300 Type A or Type B. Diagonal stripes on Vertical Panels shall slope down toward the intended traveled lane.
- Other sign messages (text or symbolic) may be used as approved by the Engineer. Sign dimensions shall not exceed 18 inches in width or 24 inches in height, except for the R9 series signs discussed in note 8 below.
- Signs shall be installed using a 1/2 inch bolt (nominal) and nut, two washers, and one locking washer for each connection.
- Mounting bolts and nuts shall be fully engaged and adequately torqued. Bolts should not extend more than 1/2 inch beyond nuts.
- Chevrons may be placed on drums on the outside of curves, on merging tapers or on shifting tapers. When used in these locations, they may be placed on every drum or spaced not more than on every third drum. A minimum of three (3) should be used at each location called for in the plans.
- R9-9, R9-10, R9-11 and R9-11a Sidewalk Closed signs which are 24 inches wide may be mounted on plastic drums, with approval of the Engineer.

SHEET 8 OF 12

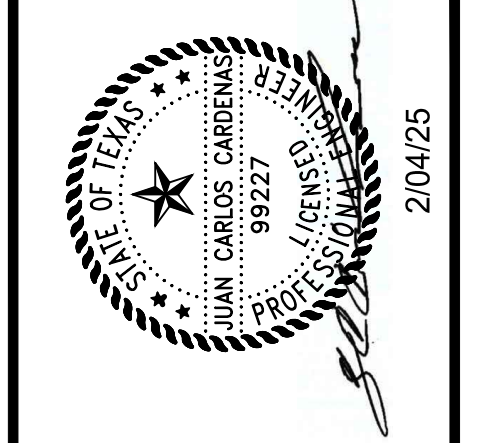


**BARRICADE AND CONSTRUCTION CHANNELIZING DEVICES**

BC(8)-21

FILE:	bc-21.dgn	DN:	TxDOT	CK:	TxDOT	DW:	TxDOT	CK:	TxDOT
©	TxDOT	NOVEMBER	2002	CONT	SECT	JOB		HIGHWAY	
REVISIONS									
4-03	8-14								
9-07	5-21	DIST	COUNTY	SHEET NO.					
7-13									

CONSULTANT'S SHEET  
PROJECT NO. 21107-01B



INTERNATIONAL CONSULTING ENGINEERS  
261 SARATOGA BLVD.  
CORPUS CHRISTI, TX 78417  
PHONE: 361.926.5805  
FAX: 361.926.5806  
I.C.E. FIRM REGISTRATION #F-10837



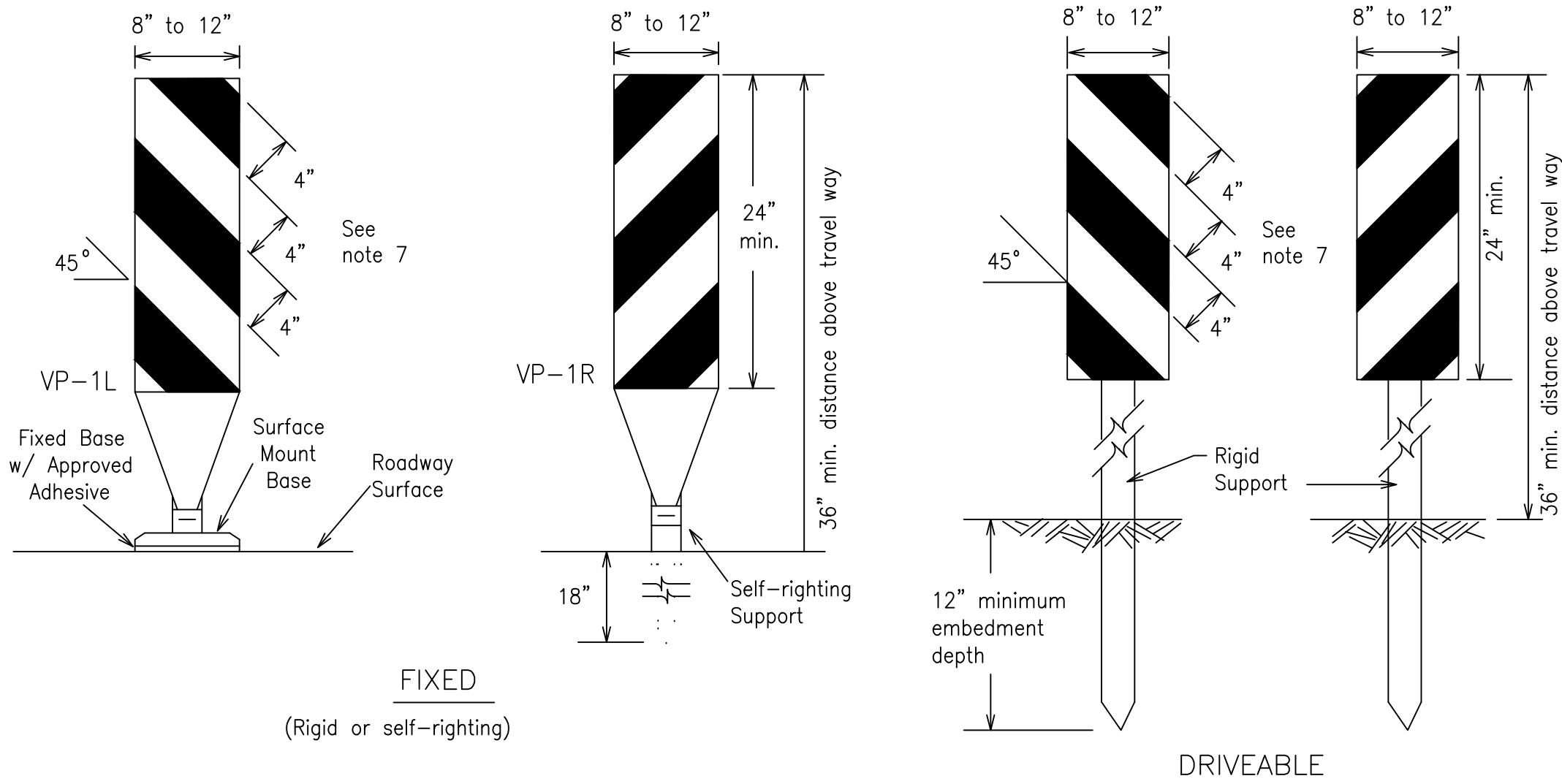
**CITY OF KINGSVILLE GLO SW PROJECT 10**  
**(N. ARMSTRONG ST.) STORM WATER IMPROVEMENTS**  
KINGSVILLE, KLEBERG COUNTY, TEXAS

**TXDOT-BARRICADE AND CONSTRUCTION CHANNELIZING DEVICES BC(8)-21**

DRAWING NO.  
**C30**  
SHEET 31 of 56

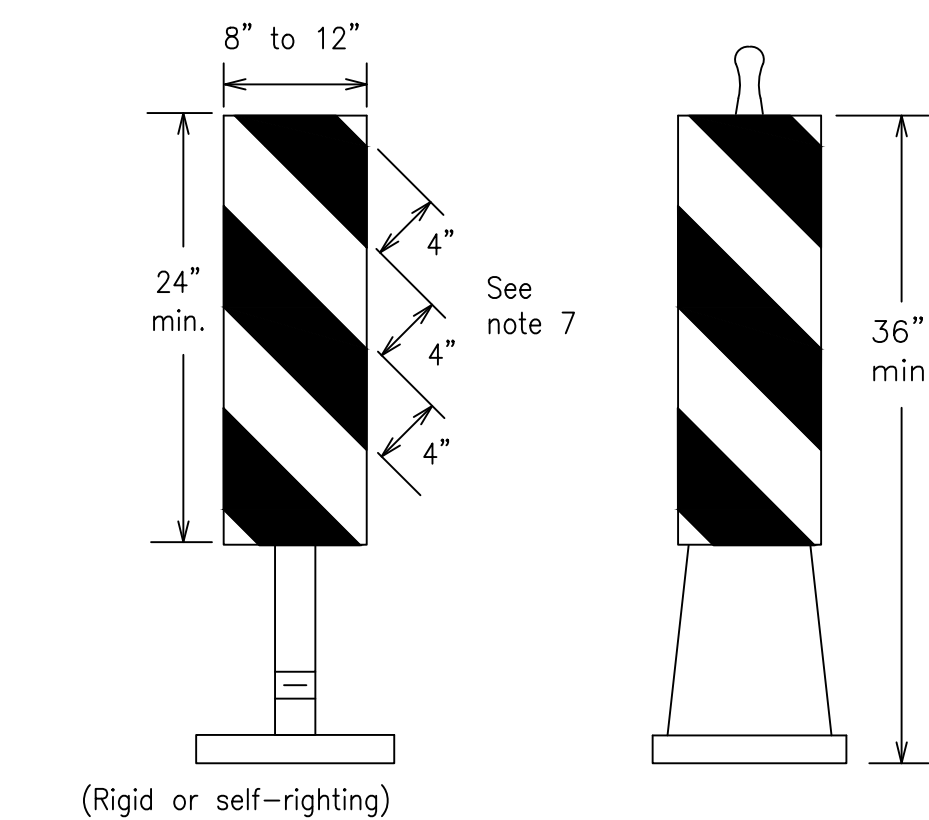


FILE NAME: I:\Projects\2021\City of Kingsville\GLO-SW-LOC10 SW N ARMSTRONG ST - Drawings\2 - Drawings\2 - Civil\CD 10-TXDOT - BC-09-21.dwg LAYOUT NAME: PS PLOTTED: Tuesday, February 04, 2025 - 11:13:10am USER: martin



**FIXED**  
(Rigid or self-righting)

**DRIVEABLE**

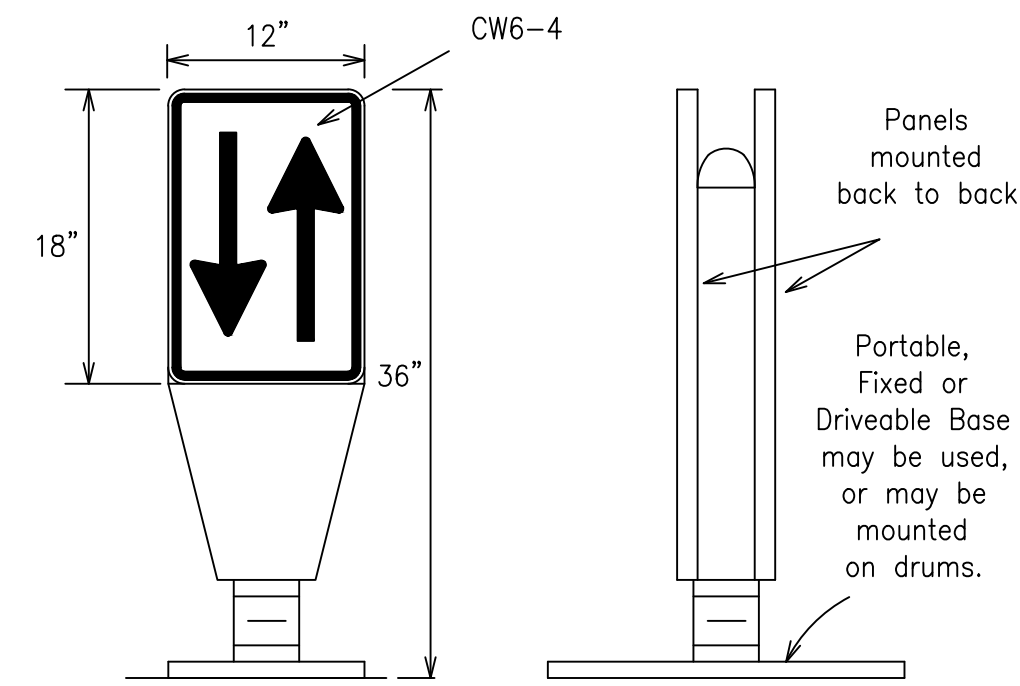


(Rigid or self-righting)

**PORTABLE**

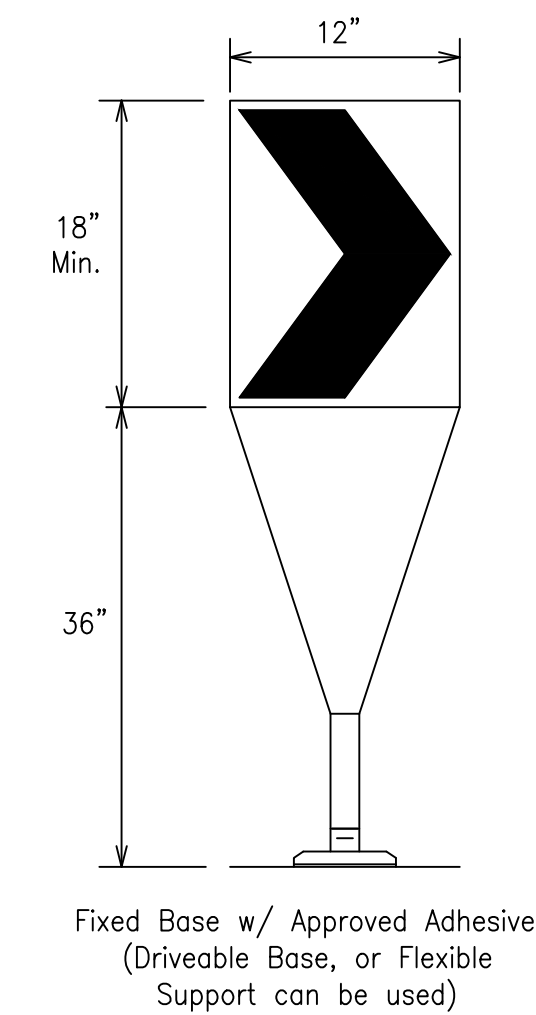
**VERTICAL PANELS (VPs)**

- Vertical Panels (VP's) are normally used to channelize traffic or divide opposing lanes of traffic.
- VP's may be used in daytime or nighttime situations. They may be used at the edge of shoulder drop-offs and other areas such as lane transitions where positive daytime and nighttime delineation is required. The Engineer/Inspector shall refer to the Roadway Design Manual for additional requirements on the use VP's for drop-offs.
- VP's should be mounted back to back if used at the edge of cuts adjacent to two-way two lane roadways. Stripes are to be reflective orange and reflective white and should always slope downward toward the travel lane.
- VP's used on expressways and freeways or other high speed roadways, may have more than 270 square inches of retroreflective area facing traffic.
- Self-righting supports are available with portable base. See "Compliant Work Zone Traffic Control Devices List" (CWZTCD).
- Sheeting for the VP's shall be retroreflective Type A or Type B conforming to Departmental Material Specification DMS-8300, unless noted otherwise.
- Where the height of reflective material on the vertical panel is 36 inches or greater, a panel stripe of 6 inches shall be used.



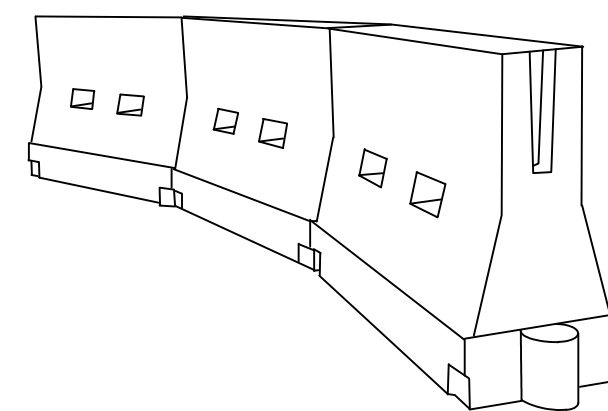
**OPPOSING TRAFFIC LANE DIVIDERS (OTLD)**

- Opposing Traffic Lane Dividers (OTLD) are delineation devices designed to convert a normal one-way roadway section to two-way operation. OTLD's are used on temporary centerlines. The upward and downward arrows on the sign's face indicate the direction of traffic on either side of the divider. The base is secured to the pavement with an adhesive or rubber weight to minimize movement caused by a vehicle impact or wind gust.
- The OTLD may be used in combination with 42" cones or VPs.
- Spacing between the OTLD shall not exceed 500 feet. 42" cones or VPs placed between the OTLD's should not exceed 100 foot spacing.
- The OTLD shall be orange with a black non-reflective legend. Sheeting for the OTLD shall be retroreflective Type B or Type C conforming to Departmental Material Specification DMS-8300, unless noted otherwise. The legend shall meet the requirements of DMS-8300.



**CHEVRONS**

- The chevron shall be a vertical rectangle with a minimum size of 12 by 18 inches.
- Chevrons are intended to give notice of a sharp change of alignment with the direction of travel and provide additional emphasis and guidance for vehicle operators with regard to changes in horizontal alignment of the roadway.
- Chevrons, when used, shall be erected on the outside of a sharp curve or turn, or on the far side of an intersection. They shall be in line with and at right angles to approaching traffic. Spacing should be such that the motorist always has three in view, until the change in alignment eliminates its need.
- To be effective, the chevron should be visible for at least 500 feet.
- Chevrons shall be orange with a black nonreflective legend. Sheeting for the chevron shall be retroreflective Type B or Type C conforming to Departmental Material Specification DMS-8300, unless noted otherwise. The legend shall meet the requirements of DMS-8300.
- For Long Term Stationary use on tapers or transitions on freeways and divided highways, self-righting chevrons may be used to supplement plastic drums but not to replace plastic drums.



**LONGITUDINAL CHANNELIZING DEVICES (LCD)**

- LCDs are crashworthy, lightweight, deformable devices that are highly visible, have good target value and can be connected together. They are not designed to contain or redirect a vehicle on impact.
- LCDs may be used instead of a line of cones or drums.
- LCDs shall be placed in accordance to application and installation requirements specific to the device, and used only when shown on the CWZTCD list.
- LCDs should not be used to provide positive protection for obstacles, pedestrians or workers.
- LCDs shall be supplemented with retroreflective delineation as required for temporary barriers on BC(7) when placed roughly parallel to the travel lanes.
- LCDs used as barricades placed perpendicular to traffic should have at least one row of reflective sheeting meeting the requirements for barricade rails as shown on BC(10). Place reflective sheeting near the top of the LCD along the full length of the device.

**WATER BALLASTED SYSTEMS USED AS BARRIERS**

- Water ballasted systems used as barriers shall not be used solely to channelize road users, but also to protect the work space per the appropriate Manual for Assessing Safety Hardware (MASH) crashworthiness requirements based on roadway speed and barrier application.
- Water ballasted systems used to channelize vehicular traffic shall be supplemented with retroreflective delineation or channelizing devices to improve daytime/nighttime visibility. They may also be supplemented with pavement markings.
- Water ballasted systems used as barriers shall be placed in accordance to application and installation requirements specific to the device, and used only when shown on the CWZTCD list.
- Water ballasted systems used as barriers should not be used for a merging taper except in low speed (less than 45 MPH) urban areas. When used on a taper in a low speed urban area, the taper shall be delineated and the taper length should be designed to optimize road user operations considering the available geometric conditions.
- When water ballasted systems used as barriers have blunt ends exposed to traffic, they should be attenuated as per manufacturer recommendations or flared to a point outside the clear zone.

If used to channelize pedestrians, longitudinal channelizing devices or water ballasted systems must have a continuous detectable bottom for users of long canes and the top of the unit shall not be less than 32 inches in height.

**HOLLOW OR WATER BALLASTED SYSTEMS USED AS LONGITUDINAL CHANNELIZING DEVICES OR BARRIERS**

**GENERAL NOTES**

- Work Zone channelizing devices illustrated on this sheet may be installed in close proximity to traffic and are suitable for use on high or low speed roadways. The Engineer/Inspector shall ensure that spacing and placement is uniform and in accordance with the "Texas Manual on Uniform Traffic Control Devices" (TMUTCD).
- Channelizing devices shown on this sheet may have a driveable, fixed or portable base. The requirement for self-righting channelizing devices must be specified in the General Notes or other plan sheets.
- Channelizing devices on self-righting supports should be used in work zone areas where channelizing devices are frequently impacted by errant vehicles or vehicle related wind gusts making alignment of the channelizing devices difficult to maintain. Locations of these devices shall be detailed elsewhere in the plans. These devices shall conform to the TMUTCD and the "Compliant Work Zone Traffic Control Devices List" (CWZTCD).
- The Contractor shall maintain devices in a clean condition and replace damaged, nonreflective, faded, or broken devices and bases as required by the Engineer/Inspector. The Contractor shall be required to maintain proper device spacing and alignment.
- Portable bases shall be fabricated from virgin and/or recycled rubber. The portable bases shall weigh a minimum of 30 lbs.
- Pavement surfaces shall be prepared in a manner that ensures proper bonding between the adhesives, the fixed mount bases and the pavement surface. Adhesives shall be prepared and applied according to the manufacturer's recommendations.
- The installation and removal of channelizing devices shall not cause detrimental effects to the final pavement surfaces, including pavement surface discoloration or surface integrity. Driveable bases shall not be permitted on final pavement surfaces. The Engineer/Inspector shall approve all application and removal procedures of fixed bases.

Posted Speed	Formula	Minimum Desirable Taper Lengths * *			Suggested Maximum Spacing of Channelizing Devices	
		10' Offset	11' Offset	12' Offset	On a Taper	On a Tangent
30	$L = \frac{WS^2}{60}$	150'	165'	180'	30'	60'
35		205'	225'	245'	35'	70'
40	L=WS	265'	295'	320'	40'	80'
45		450'	495'	540'	45'	90'
50		500'	550'	600'	50'	100'
55		550'	605'	660'	55'	110'
60		600'	660'	720'	60'	120'
65		650'	715'	780'	65'	130'
70		700'	770'	840'	70'	140'
75		750'	825'	900'	75'	150'
80	800'	880'	960'	80'	160'	

\* \* \* Taper lengths have been rounded off.  
L=Length of Taper (FT.) W=Width of Offset (FT.)  
S=Posted Speed (MPH)

**SUGGESTED MAXIMUM SPACING OF CHANNELIZING DEVICES AND MINIMUM DESIRABLE TAPER LENGTHS**

SHEET 9 OF 12

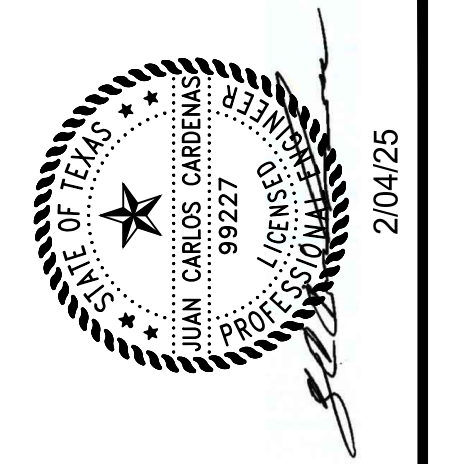


**BARRICADE AND CONSTRUCTION CHANNELIZING DEVICES**

BC(9)-21

FILE:	bc-21.dgn	DN:	TxDOT	CK:	TxDOT	DW:	TxDOT	CK:	TxDOT
© TxDOT	November 2002	CONT	SECT	JOB	HIGHWAY				
REVISIONS									
9-07	8-14	DIST		COUNTY	SHEET NO.				
7-13	5-21								

103



**CITY OF KINGSVILLE GLO SW PROJECT 10 (N. ARMSTRONG ST.) STORM WATER IMPROVEMENTS**  
KINGSVILLE, KLEBERG COUNTY, TEXAS

**TXDOT-BARRICADE AND CONSTRUCTION CHANNELIZING DEVICES BC(9)-21**

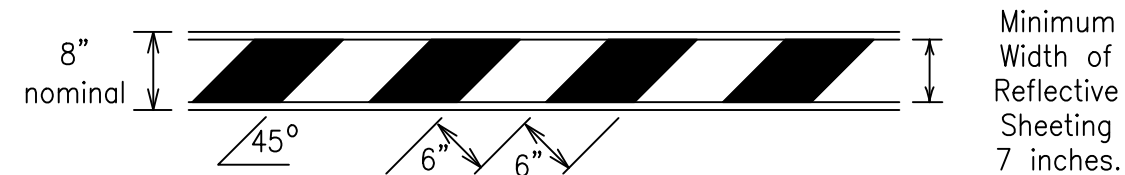


FILE NAME: I:\Projects\2021\City of Kingsville\GLO-LOC10 SW N ARMSTRONG ST\1-DRAWINGS\2 - Drawings\2 - Civil\CS1 11-TXDOT-BC-10-21.dwg LAYOUT NAME: PS PLOTTED: Tuesday, February 04, 2025 - 11:31am USER: martin

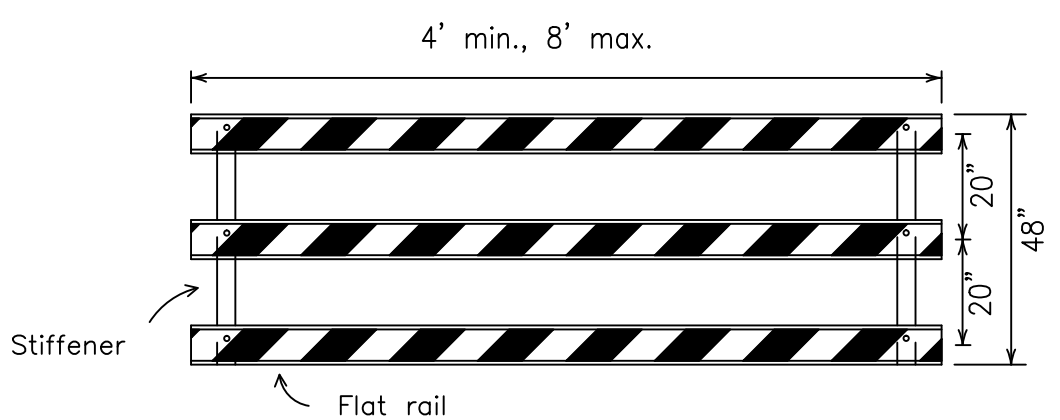
**TYPE 3 BARRICADES**

- Refer to the Compliant Work Zone Traffic Control Devices List (CWZTCD) for details of the Type 3 Barricades and a list of all materials used in the construction of Type 3 Barricades.
- Type 3 Barricades shall be used at each end of construction projects closed to all traffic.
- Barricades extending across a roadway should have stripes that slope downward in the direction toward which traffic must turn in detouring. When both right and left turns are provided, the chevron striping may slope downward in both directions from the center of the barricade. Where no turns are provided at a closed road, striping should slope downward in both directions toward the center of roadway.
- Striping of rails, for the right side of the roadway, should slope downward to the left. For the left side of the roadway, striping should slope downward to the right.
- Identification markings may be shown only on the back of the barricade rails. The maximum height of letters and/or company logos used for identification shall be 1".
- Barricades shall not be placed parallel to traffic unless an adequate clear zone is provided.
- Warning lights shall NOT be installed on barricades.
- Where barricades require the use of weights to keep from turning over, the use of sandbags with dry, cohesionless sand is recommended. The sandbags will be tied shut to keep the sand from spilling and to maintain a constant weight. Sand bags shall not be stacked in a manner that covers any portion of a barricade rails reflective sheeting. Rock, concrete, iron, steel or other solid objects will NOT be permitted. Sandbags should weigh a minimum of 35 lbs and a maximum of 50 lbs. Sandbags shall be made of a durable material that tears upon vehicular impact. Rubber (such as tire inner tubes) shall not be used for sandbags. Sandbags shall only be placed along or upon the base supports of the device and shall not be suspended above ground level or hung with rope, wire, chains or other fasteners.
- Sheeting for barricades shall be retroreflective Type A or Type B conforming to Departmental Material Specification DMS-8300 unless otherwise noted.

Barricades shall NOT be used as a sign support.

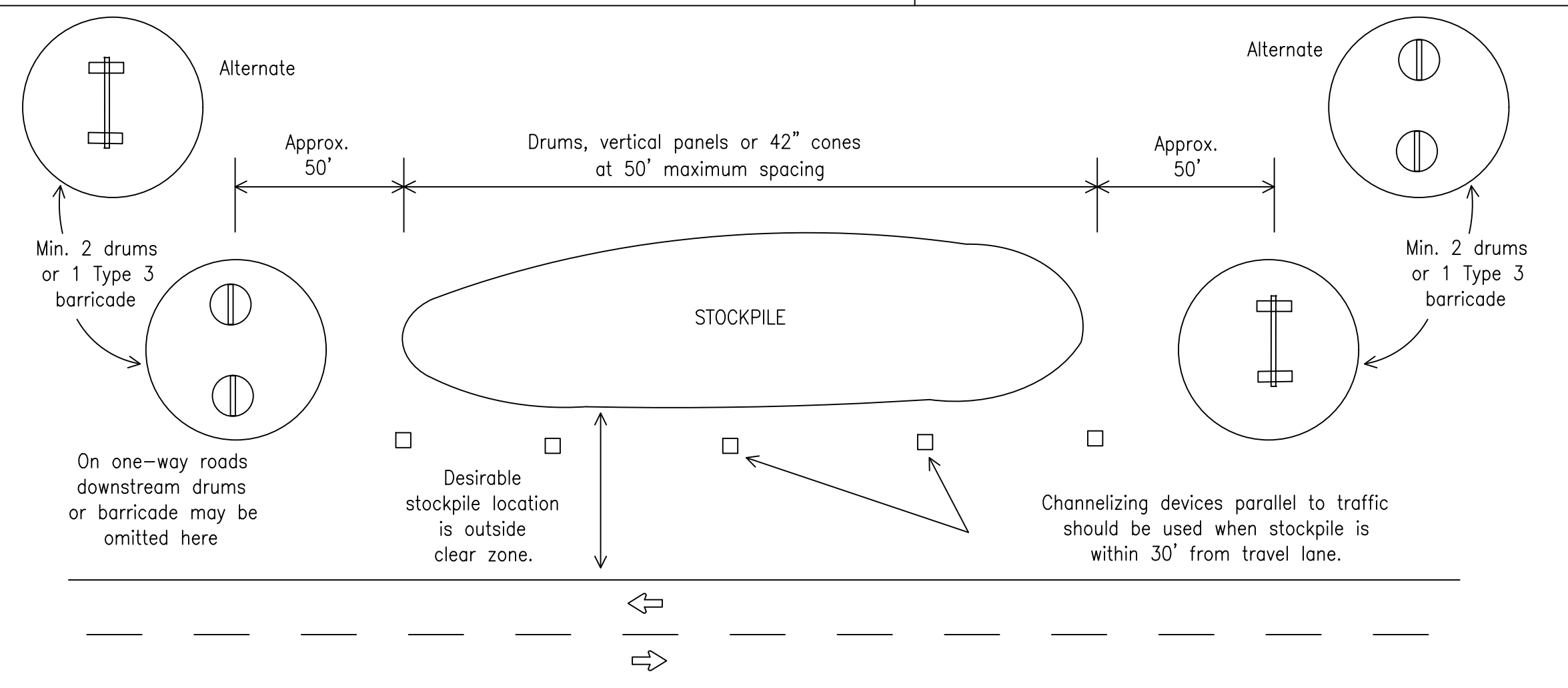


TYPICAL STRIPING DETAIL FOR BARRICADE RAIL



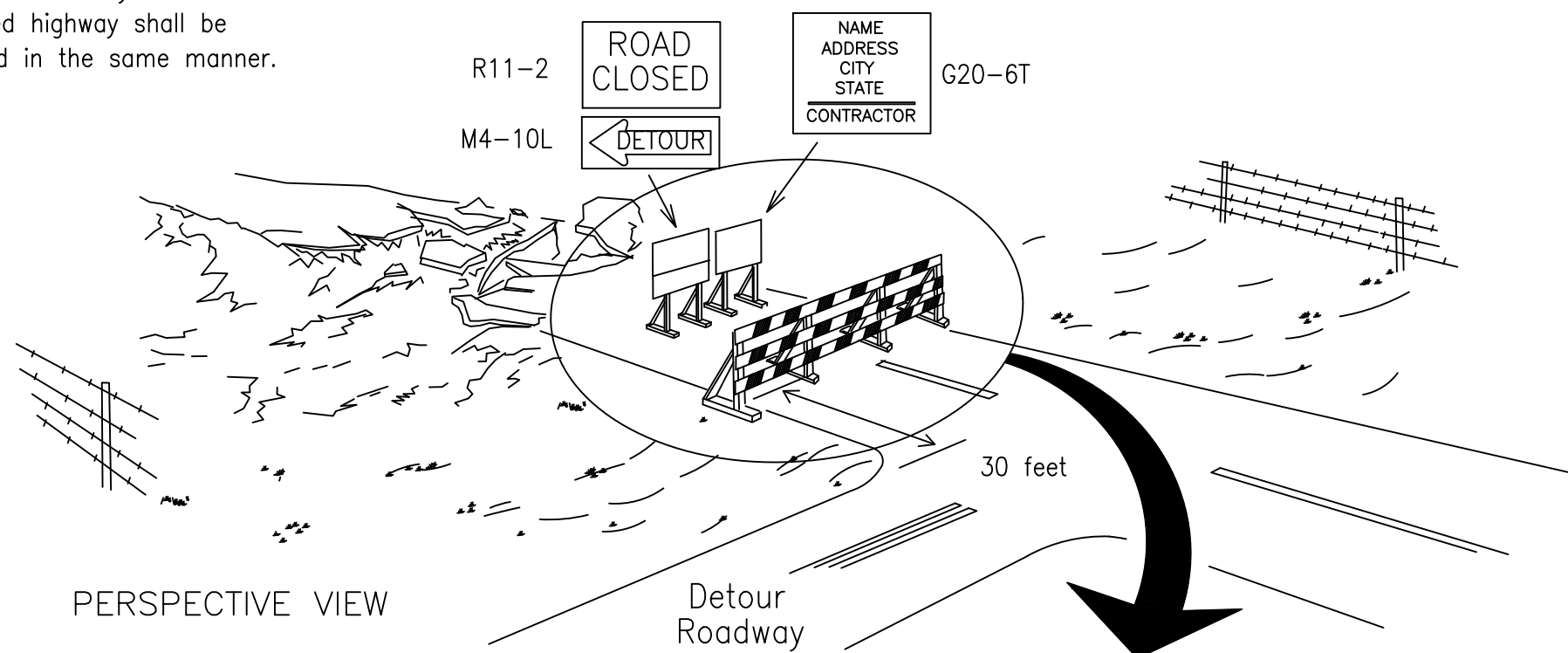
Stiffener may be inside or outside of support, but no more than 2 stiffeners shall be allowed on one barricade.

TYPICAL PANEL DETAIL FOR SKID OR POST TYPE BARRICADES



TRAFFIC CONTROL FOR MATERIAL STOCKPILES

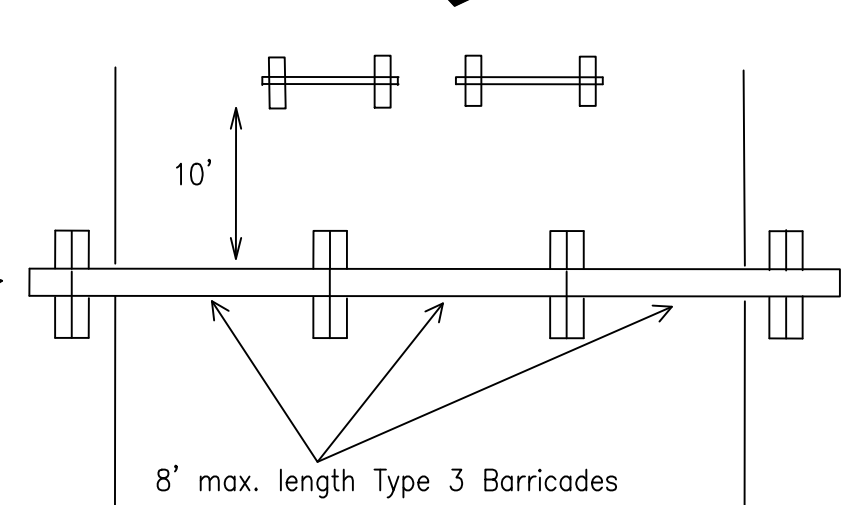
Each roadway of a divided highway shall be barricaded in the same manner.



PERSPECTIVE VIEW

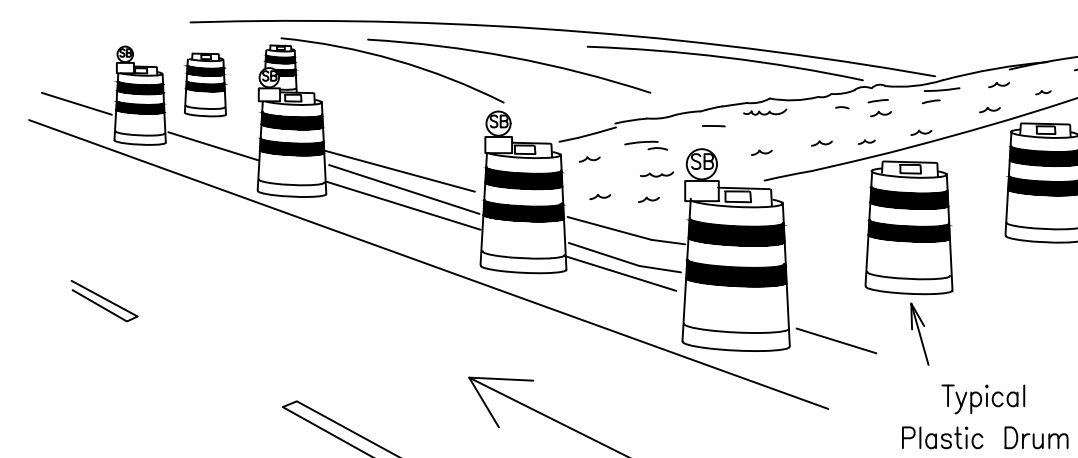
The three rails on Type 3 barricades shall be reflectorized orange and reflective white stripes on one side facing one-way traffic and both sides for two-way traffic. Barricade striping should slant downward in the direction of detour.

- Signs should be mounted on independent supports at a 7 foot mounting height in center of roadway. The signs should be a minimum of 10 feet behind Type 3 Barricades.
- Advance signing shall be as specified elsewhere in the plans.

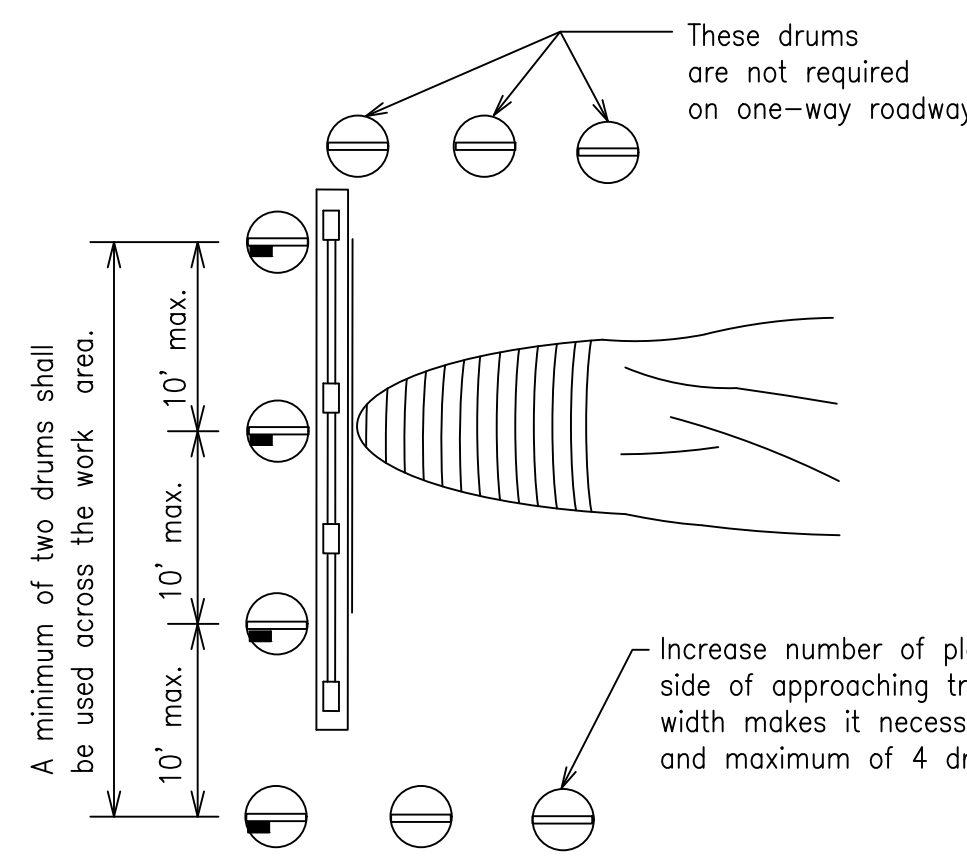


PLAN VIEW

TYPE 3 BARRICADE (POST AND SKID) TYPICAL APPLICATION



PERSPECTIVE VIEW

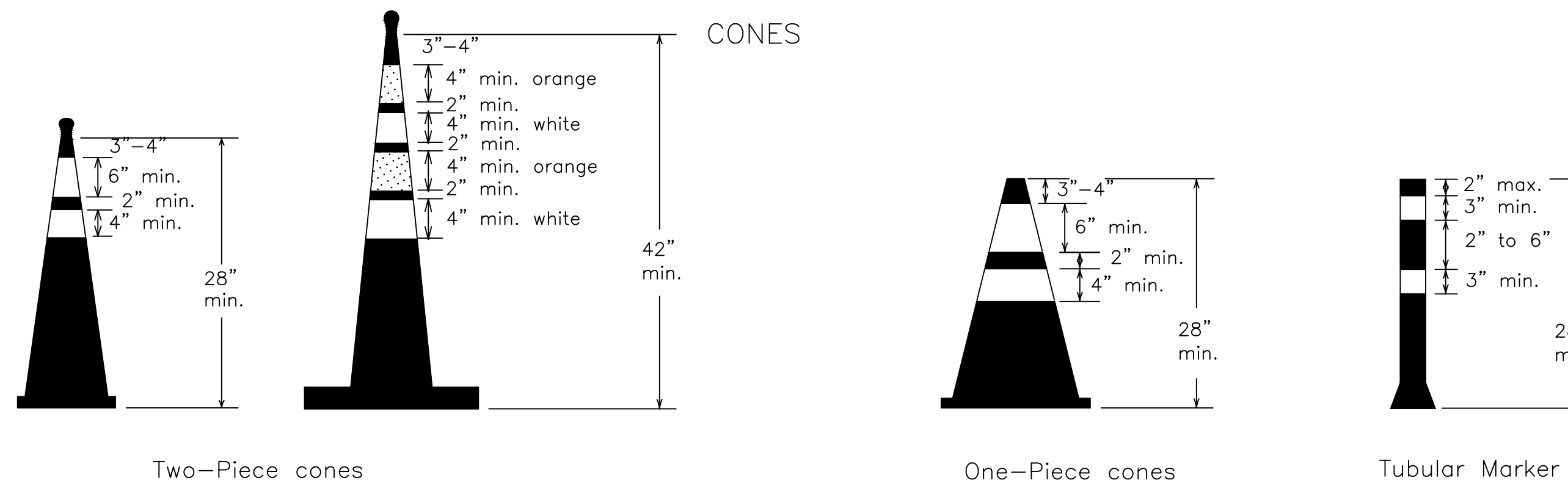


PLAN VIEW

CULVERT WIDENING OR OTHER ISOLATED WORK WITHIN THE PROJECT LIMITS

- Where positive redirection capability is provided, drums may be omitted.
- Plastic construction fencing may be used with drums for safety as required in the plans.
- Vertical Panels on flexible support may be substituted for drums when the shoulder width is less than 4 feet.
- When the shoulder width is greater than 12 feet, steady-burn lights may be omitted if drums are used.
- Drums must extend the length of the culvert widening.

LEGEND	
	Plastic drum
	Plastic drum with steady burn light or yellow warning reflector
	Steady burn warning light or yellow warning reflector



CONES

Two-Piece cones

One-Piece cones

Tubular Marker

28" Cones shall have a minimum weight of 9 1/2 lbs.

42" 2-piece cones shall have a minimum weight of 30 lbs. including base.

- Traffic cones and tubular markers shall be predominantly orange, and meet the height and weight requirements shown above.
- One-piece cones have the body and base of the cone molded in one consolidated unit. Two-piece cones have a cone shaped body and a separate rubber base, or ballast, that is added to keep the device upright and in place.
- Two-piece cones may have a handle or loop extending up to 8" above the minimum height shown, in order to aid in retrieving the device.
- Cones or tubular markers shall have white or white and orange reflective bands as shown above. The reflective bands shall have a smooth, sealed outer surface and meet the requirements of Departmental Material Specification DMS-8300 Type A or Type B.
- 28" cones and tubular markers are generally suitable for short duration and short-term stationary work as defined on BC(4). These should not be used for intermediate-term or long-term stationary work unless personnel is on-site to maintain them in their proper upright position.
- 42" two-piece cones, vertical panels or drums are suitable for all work zone durations.
- Cones or tubular markers used on each project should be of the same size and shape.

SHEET 10 OF 12



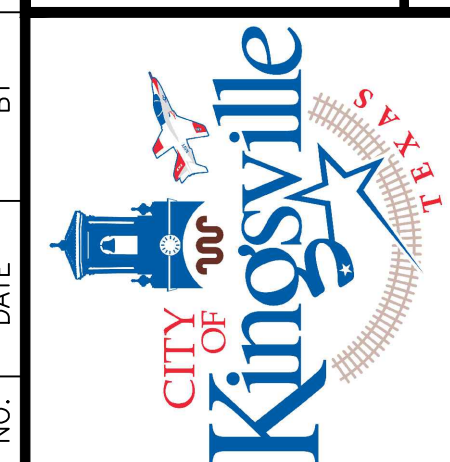
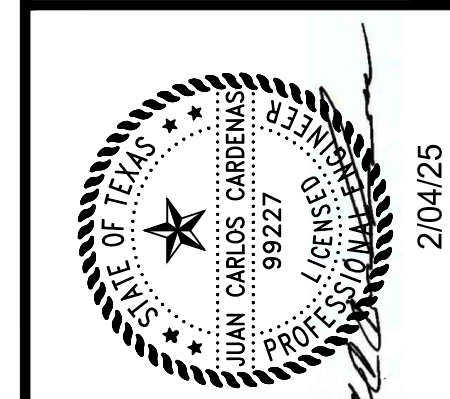
BARRICADE AND CONSTRUCTION CHANNELIZING DEVICES

BC(10)-21

FILE:	bc-21.dgn	DN:	TxDOT	CK:	TxDOT	DW:	TxDOT	CK:	TxDOT
©	TxDOT	NOVEMBER	2002	CONT	SECT	JOB	HIGHWAY		
REVISIONS									
9-07	8-14								
7-13	5-21	DIST	COUNTY	SHEET NO.					

104

CONSULTANT'S SHEET PROJECT NO. 21107-01B



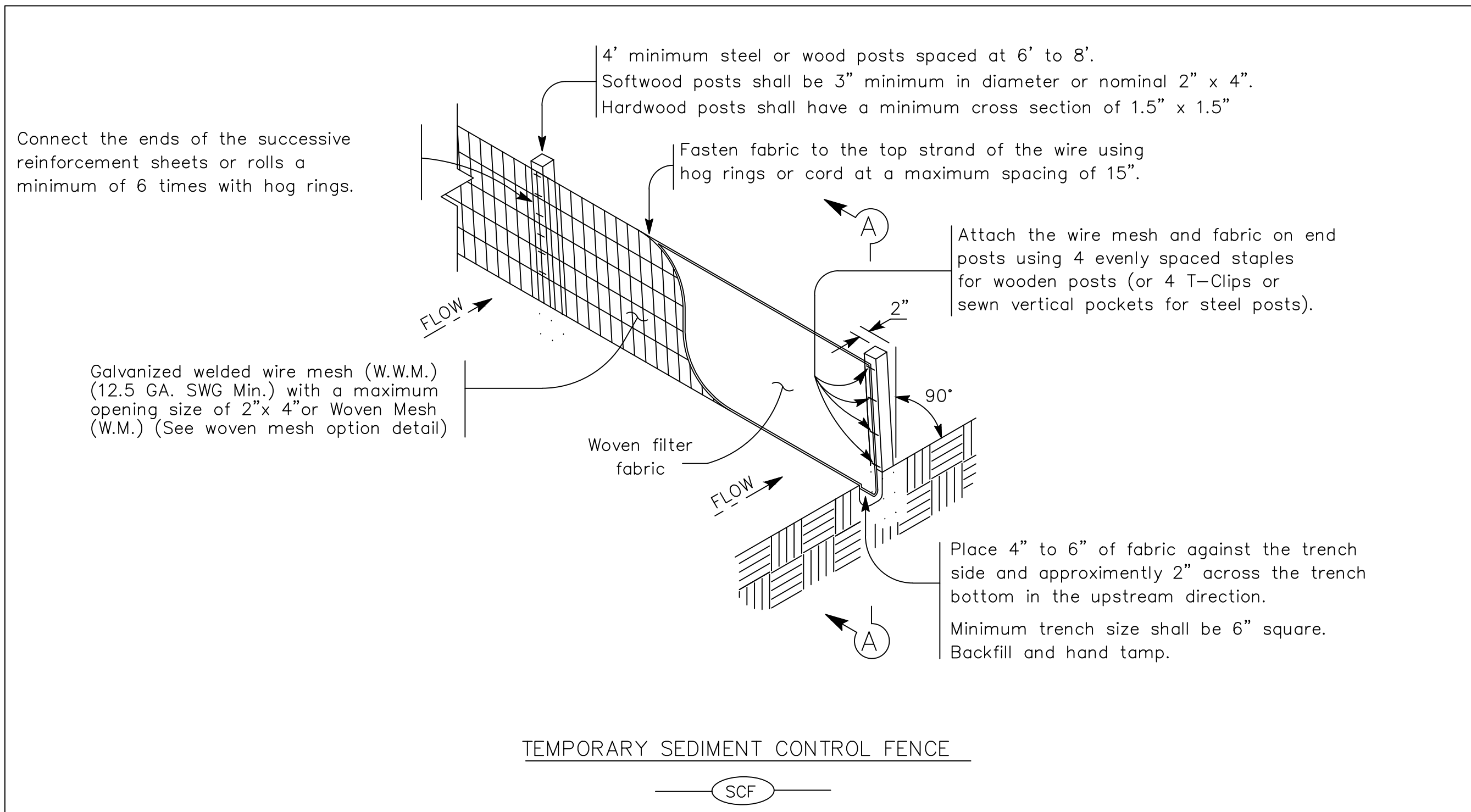
CITY OF KINGSVILLE GLO SW PROJECT 10 (N. ARMSTRONG ST.) STORM WATER IMPROVEMENTS KINGSVILLE, KLEBERG COUNTY, TEXAS

TXDOT-BARRICADE AND CONSTRUCTION CHANNELIZING DEVICES BC(10)-21

DRAWING NO. C52 SHEET 53 of 56

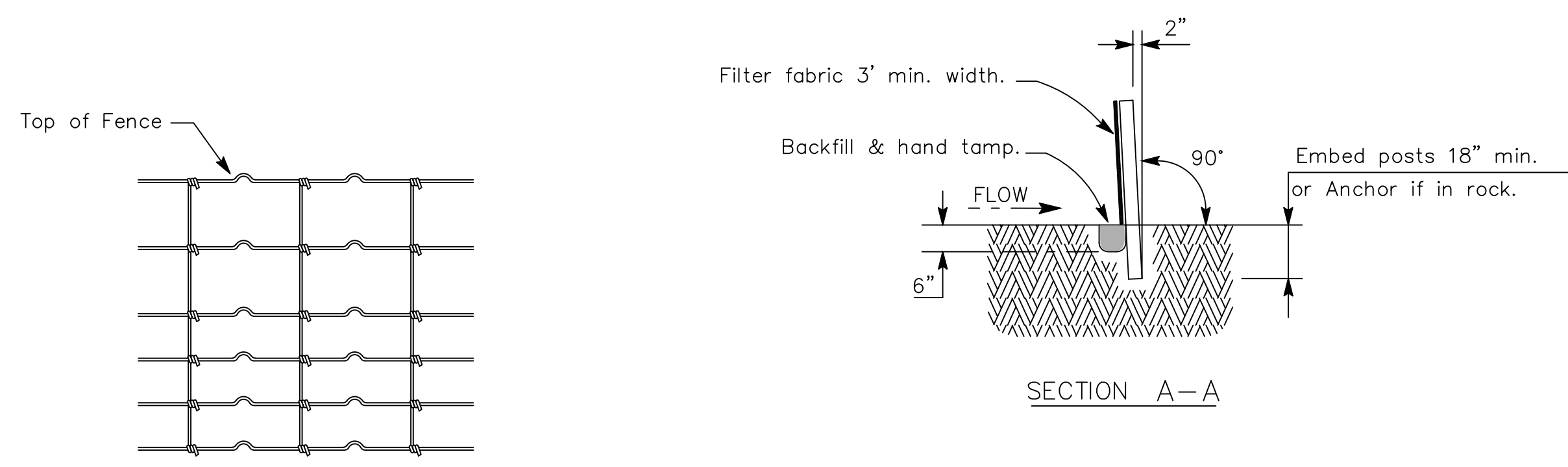


FILE NAME: I:\Projects\2021\City of Kingsville\GLO-LOC10 SW N ARMSTRONG ST\1 - Drawings\2 - Civil\C41 01 TxDOT STANDARDS - EC(1)-16 EROSION CONTROL DETAILS.dwg LAYOUT NAME: C41 01 TxDOT STANDARDS - EC(1)-16 EROSION CONTROL DETAILS.dwg PLOTTED: Tuesday, February 04, 2025 - 11:31 am USER: martin



TEMPORARY SEDIMENT CONTROL FENCE

SCF



HINGE JOINT KNOT WOVEN MESH (OPTION) DETAIL

Galvanized hinge joint knot woven mesh (12.5 GA.SWG Min.) requires a minimum of five horizontal wires spaced at a maximum of 12 inches apart and all vertical wires spaced at a maximum of 12 inches apart.

**SEDIMENT CONTROL FENCE USAGE GUIDELINES**

A sediment control fence may be constructed near the downstream perimeter of a disturbed area along a contour to intercept sediment from overland runoff. A 2 year storm frequency may be used to calculate the flow rate to be filtered.

Sediment control fence should be sized to filter a maximum flow through rate of 100 GPM/FT. <sup>2</sup>Sediment control fence is not recommended to control erosion from a drainage area larger than 2 acres.

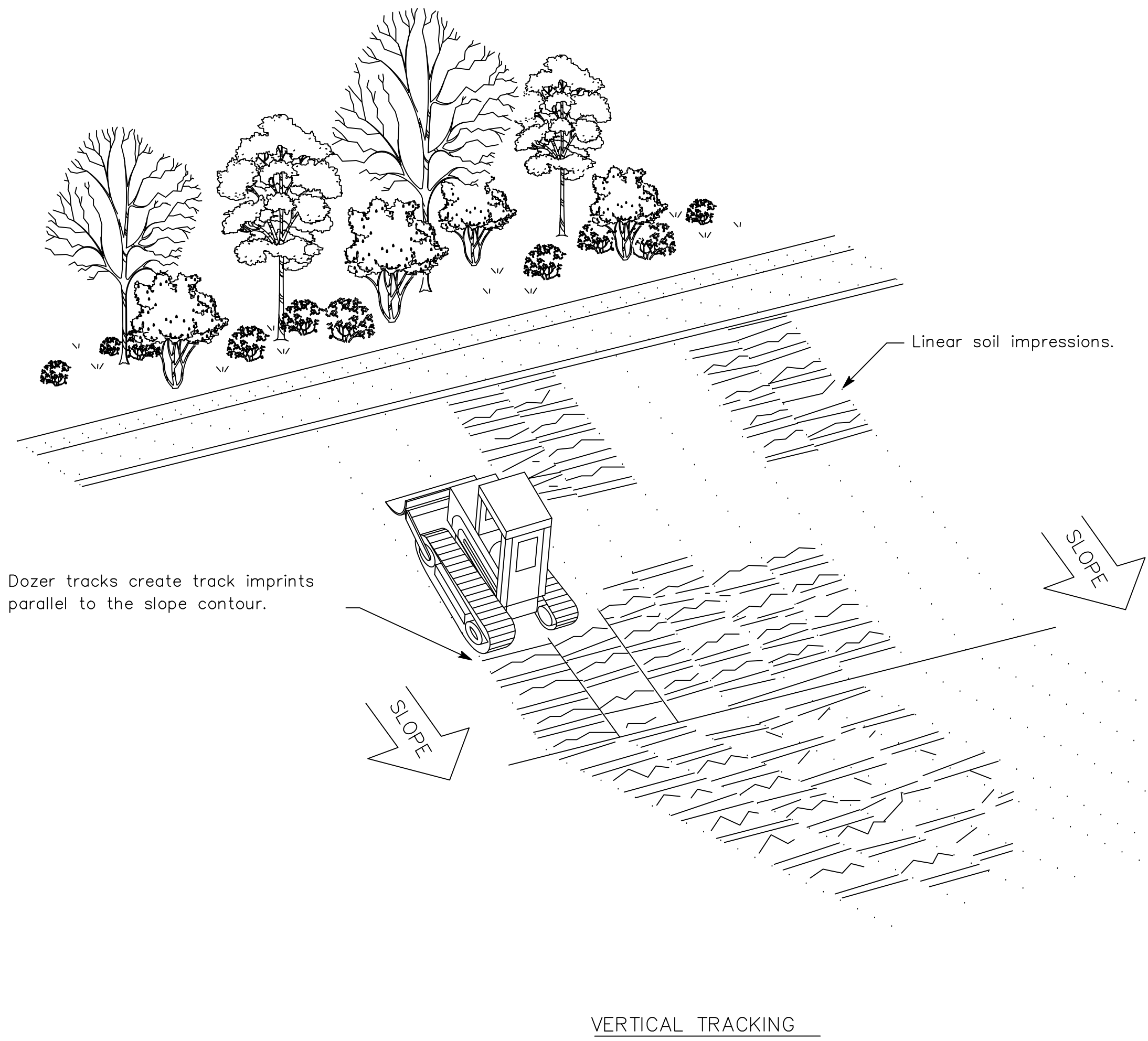
**LEGEND**

Sediment Control Fence

SCF

**GENERAL NOTES**

- Vertical tracking is required on projects where soil distributing activities have occurred unless otherwise approved.
- Perform vertical tracking on slopes to temporarily stabilize soil.
- Provide equipment with a track undercarriage capable of producing linear soil impressions measuring a minimum of 12" in length by 2" to 4" in width by 1/2" to 2" in depth.
- Do not exceed 12" between track impressions.
- Install continuous linear track impressions where the minimum 12" length impressions are perpendicular to the slope or direction of water flow.



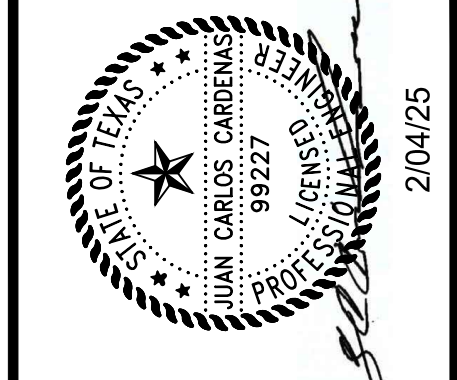
**Texas Department of Transportation** *Design Division Standard*

**TEMPORARY EROSION, SEDIMENT AND WATER POLLUTION CONTROL MEASURES FENCE & VERTICAL TRACKING**

**EC(1)-16**

FILE: ec116	DN: TxDOT	CK: KM	DW: VP	DN/CK: LS
© TxDOT: JULY 2016	CONT	SECT	JOB	HIGHWAY
REVISIONS	DIST	COUNTY	SHEET NO.	

CONSULTANT'S SHEET  
PROJECT NO. 21107-01B



**IOE**

INTERNATIONAL CONSULTING ENGINEERS  
261 SARATOGA BLVD.  
CORPUS CHRISTI, TX 78417  
PHONE: 361.926.5805  
FAX: 361.926.5806  
I.B.P.E. FIRM REGISTRATION #F-10837



**CITY OF KINGSVILLE GLO SW PROJECT 10**  
**(N. ARMSTRONG ST.) STORM WATER IMPROVEMENTS**  
KINGSVILLE, KLEBERG COUNTY, TEXAS

TXDOT - TEMPORARY EROSION, SEDIMENT AND WATER POLLUTION CONTROL MEASURES FENCE & VERTICAL TRACKING  
EC(1)-16

DRAWING NO.  
**C53**  
SHEET 54 of 56

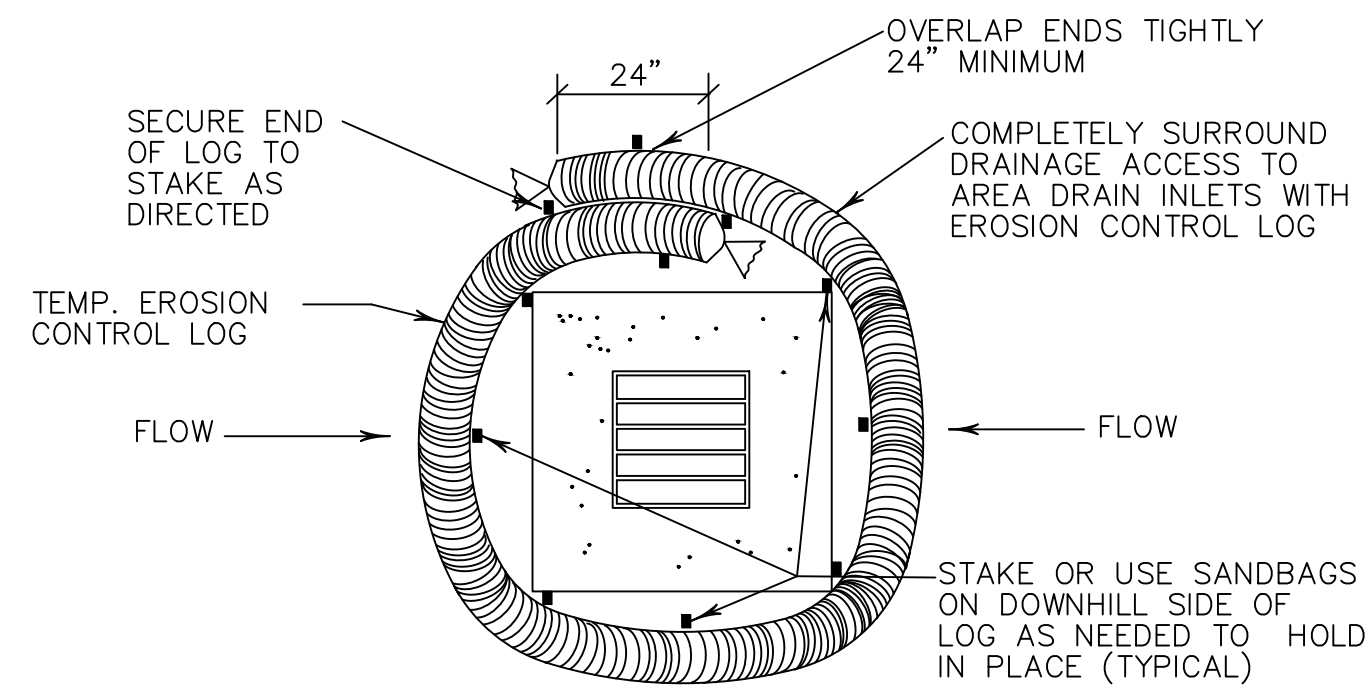
REVISION NO.	DATE	DESCRIPTION	BY
02-04-25	JCC	REV.1	



FILE NAME: I:\Projects\2021\City of Kingsville\glo-sw-project-10-sw-n-armstrong-st\1-drawings\2-ec(1)-16-erosion-control-details.dwg LAYOUT NAME: CX4 TXDOT STANDARDS - EC(1)-16 EROSION CONTROL DETAILS (2) PLOTTED: Tuesday, February 04, 2025 - 11:31am USER: martin

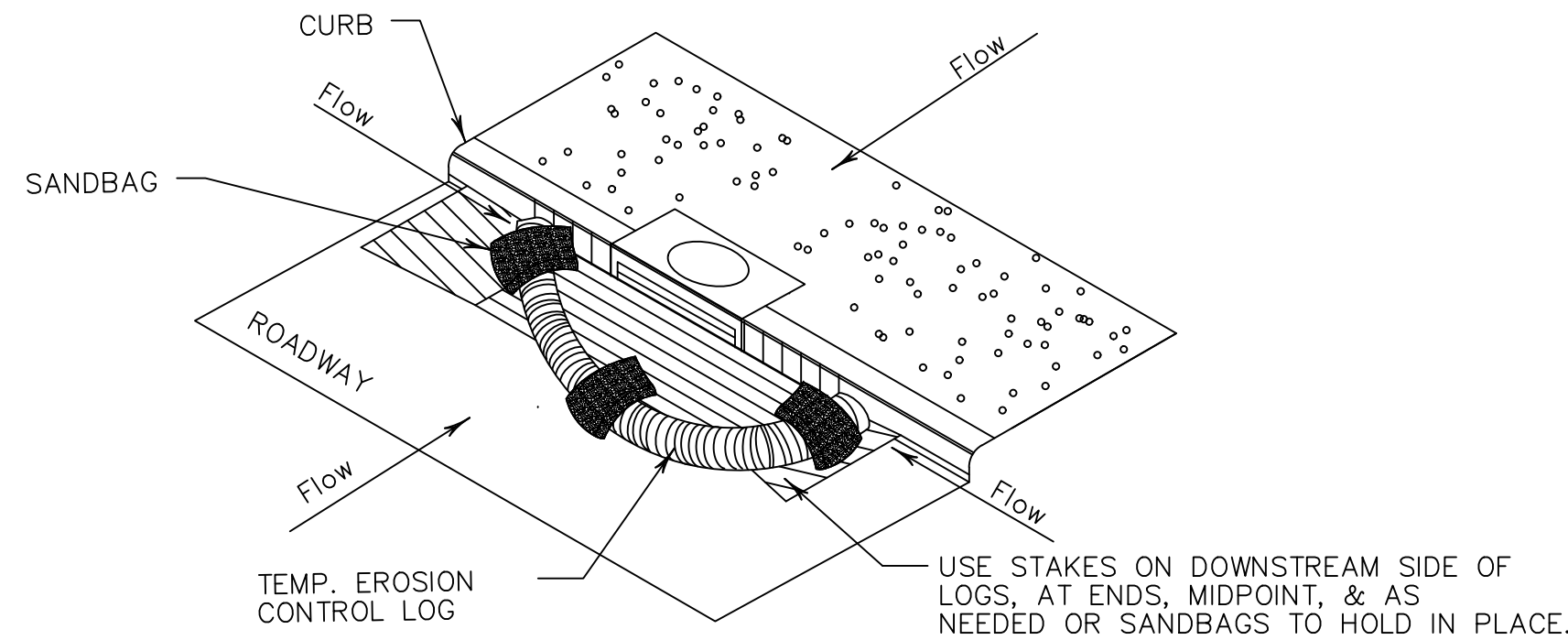
DISCLAIMER: The use of this standard is governed by the "Texas Engineering Practice Act". No warranty of any kind is made by TxDOT for any purpose whatsoever. TxDOT assumes no responsibility for the conversion of this standard to other formats or for incorrect results or damages resulting from its use.

DATE:  
FILE:



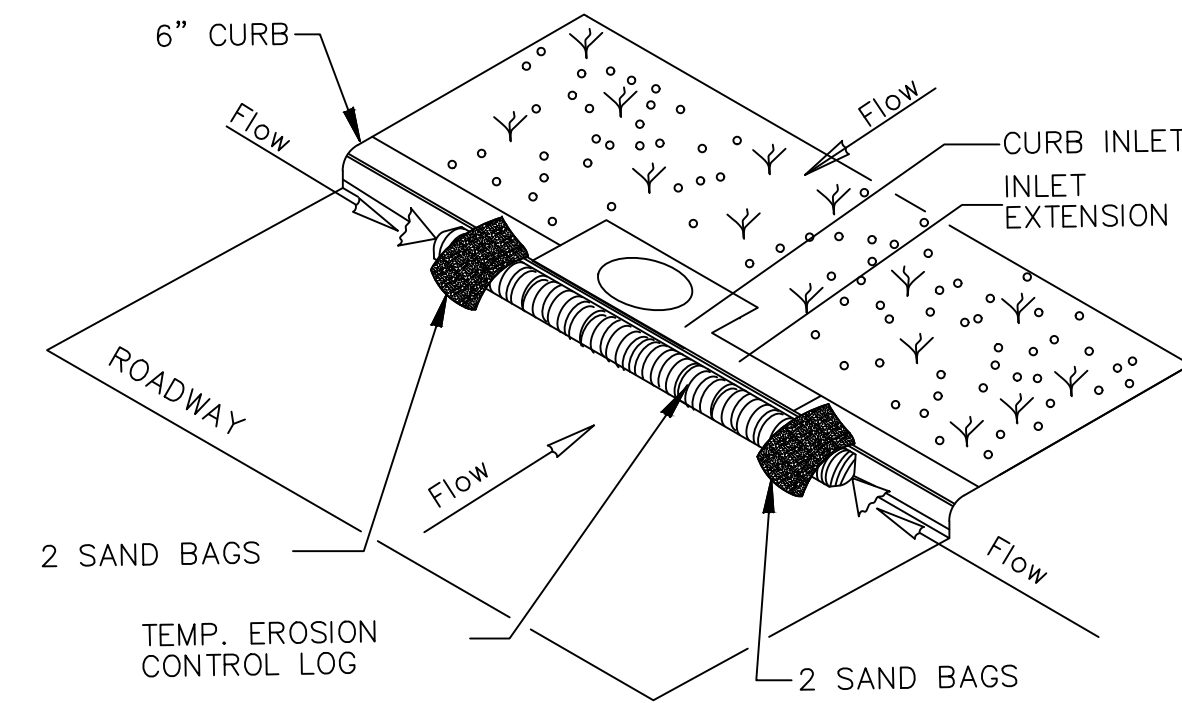
EROSION CONTROL LOG AT DROP INLET

CL-DI



EROSION CONTROL LOG AT CURB INLET

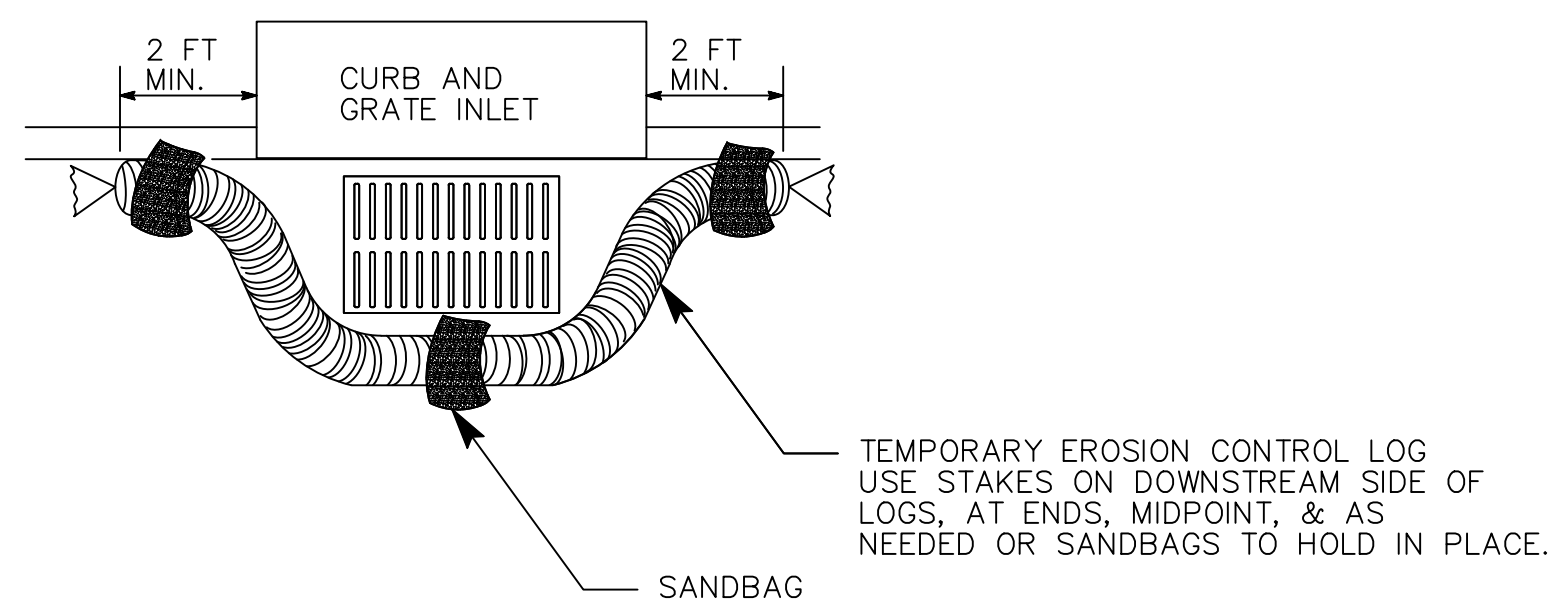
CL-CI



EROSION CONTROL LOG AT CURB INLET

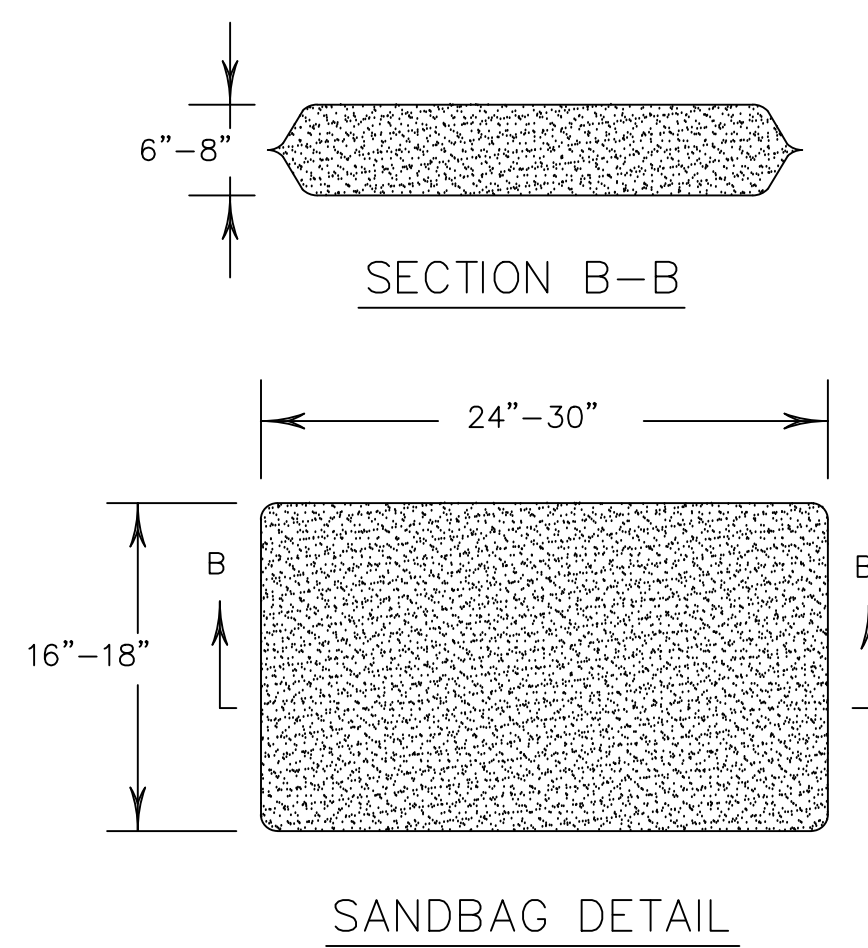
CL-CI

NOTE:  
EROSION CONTROL LOGS USED AT CURB INLETS SHOULD ONLY BE USED IF THEY WILL NOT IMPEDE TRAFFIC OR FLOOD THE ROADWAY OR WHEN THE STORM SEWER SYSTEM IS NOT FULLY FUNCTIONAL.



EROSION CONTROL LOG AT CURB & GRADE INLET

CL-GI



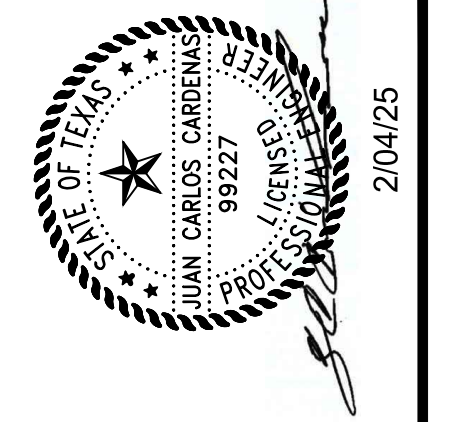
SHEET 3 OF 3

Design Division Standard

TEMPORARY EROSION,  
SEDIMENT AND WATER  
POLLUTION CONTROL MEASURES  
EROSION CONTROL LOG  
EC(9)-16

FILE: ec916	DN: TxDOT	CK: KM	DW: LS/PT	CR: LS
© TxDOT: JULY 2016	CONT	SECT	JOB	HIGHWAY
REVISIONS		DIST	COUNTY	SHEET NO.

CONSULTANT'S SHEET  
PROJECT NO. 21107-01B



**ICE**

INTERNATIONAL CONSULTING ENGINEERS  
261 SARATOGA BLVD.  
CORPUS CHRISTI, TX 78417  
PHONE: 361.926.5805  
FAX: 361.926.5806  
I.B.P.E. FIRM REGISTRATION #F-10837



**CITY OF KINGSVILLE GLO SW PROJECT 10  
(N. ARMSTRONG ST.) STORM WATER IMPROVEMENTS**  
KINGSVILLE, KLEBERG COUNTY, TEXAS

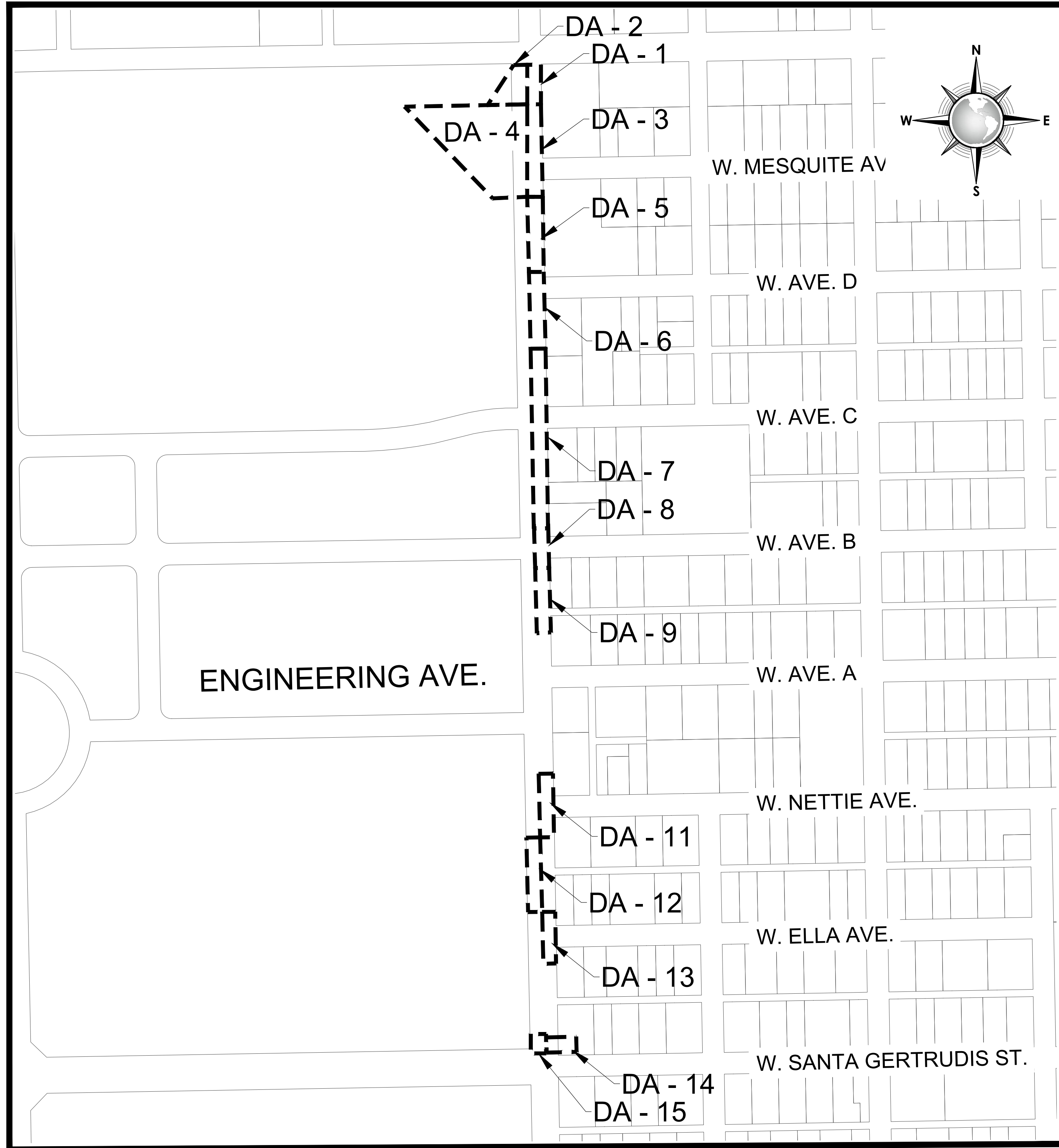
CX4 TXDOT STANDARDS - EC(1) EROSION CONTROL DETAILS (2)  
MEASURES EROSION CONTROL LOG EC(9)-16

DRAWING NO.  
**C54**  
SHEET 55 of 56

REVISION NO.	DATE	DESCRIPTION	BY
1	02-04-25		JCC
			REV.1



FILE NAME: I:\Projects\2021\city of kingsville\glo-sw-loc10-sw-n-armstrong-st\1-drawings\2 - cwi\CXX- STORM WATER RUNOFF.dwg LAYOUT NAME: T1 TITLE SHEET PLOTTED: Tuesday, February 04, 2025 - 11:32am USER: martin



**1** DRAINAGE AREA MAP  
SCALE: 1" = 200'

GLO SW Project 10 - N Armstrong St.

DRAINAGE CALCULATIONS - RUNOFF SUMMARY

Drainage Area	Area(Ac)	Area(ft <sup>2</sup> )	Runoff Coeff. (C)	TC (min)	I <sub>2</sub> (in/hr)	Q <sub>2</sub> (cfs)	I <sub>5</sub> (in/hr)	Q <sub>5</sub> (cfs)	I <sub>10</sub> (in/hr)	Q <sub>10</sub> (cfs)	I <sub>25</sub> (in/hr)	Q <sub>25</sub> (cfs)	I <sub>50</sub> (in/hr)	Q <sub>50</sub> (cfs)	I <sub>100</sub> (in/hr)	Q <sub>100</sub> (cfs)
P10-DA-1	0.040105601	1747	0.7	13.14719079	5.49133736	0.154163377	6.825686539	0.191624069	7.676915838	0.215511239	8.896166365	0.249750272	9.827835616	0.275905881	10.15136915	0.284988736
P10-DA-2	0.123232323	5368	0.3	16.54800182	4.889709001	0.180770912	6.084975627	0.224959705	6.873589327	0.254114515	7.968713112	0.294600909	7.968713112	0.294600909	9.160627616	0.338665627
P10-DA-3	0.134802571	5872	0.7	27.74645563	3.635638882	0.343065428	4.546453808	0.429011564	5.192546204	0.489978005	6.026473694	0.568668904	6.026473694	0.568668904	7.04734591	0.665000244
P10-DA-4	1.246992654	54319	0.3	39.96823629	2.874383881	1.075300675	3.613716499	1.351883378	4.163220126	1.557451474	4.836030608	1.809148392	4.836030608	1.809148392	5.72434321	2.141460854
P10-DA-5	0.138636364	6039	0.7	48.33891038	2.52557021	0.245095109	3.185863338	0.309173556	3.68782417	0.357886573	4.285846867	0.415921957	4.285846867	0.415921957	5.105069511	0.495423791
P10-DA-6	0.079752066	3474	0.7	14.99570544	5.145311162	0.287244437	6.399402036	0.352725874	7.215017885	0.402788808	8.362947118	0.466873618	8.362947118	0.466873618	9.583168252	0.534994278
P10-DA-7	0.236547291	10304	0.7	84.34397825	1.692416554	0.280235586	2.160173351	0.357688208	2.537506596	0.420168218	2.953324541	0.489020644	2.953324541	0.489020644	3.582156732	0.593144663
P10-DA-8	0.032667585	1423	0.7	15.80169145	5.00906236	0.114542496	6.231683881	0.142501844	7.032977436	0.160825271	8.152761579	0.186431722	8.152761579	0.186431722	9.358151917	0.213995756
P10-DA-9	0.074931129	3264	0.7	33.37946667	3.235430567	0.169704127	4.056162366	0.212729279	4.652596243	0.244037004	5.402135907	0.283351702	5.402135907	0.283351702	6.356267151	0.33397594
P10-DA-11	0.038406795	1673	0.7	8.638577648	6.602515124	0.177507012	8.200690053	0.220473556	9.159648845	0.246254876	10.60702762	0.285167356	10.60702762	0.285167356	11.94954366	0.321260574
P10-DA-12	0.101010101	4400	0.7	20.84890409	4.307907106	0.304599492	5.37051112	0.379734523	6.095248353	0.430977156	7.069699586	0.499877748	7.069699586	0.499877748	8.189105086	0.579027632
P10-DA-13	0.053397612	2326	0.7	25.42224239	3.8349423	0.143343734	4.790659077	0.179066883	5.460649735	0.204109961	6.336382161	0.236843375	6.336382161	0.236843375	7.388187727	0.27615811
P10-DA-14	0.112029385	4880	0.7	8.397995171	6.676148381	0.523547357	8.292177891	0.650277311	9.257951337	0.726013815	10.72041651	0.840701166	10.72041651	0.840701166	12.0674062	0.94632865
P10-DA-15	0.036248852	1579	0.7	10.14329198	6.179714044	0.156805279	7.676311853	0.194780245	8.595383151	0.218100941	9.956086032	0.252627683	9.956086032	0.252627683	11.26979097	0.285961891

All assumed values are taken from the Kingsville, TX Code of Ordinances, Ch. XV, Article 3, Sec. 15-3-103: Minimum requirements for drainage reports and plans.

**2** SEC. 15-3-103  
C55 C55

$Q_{in} = C_w(L + 1.8W)d^{1.5}$  all in cfs

$Q_{in}$  = flow in -> If the flow from an inlet is greater than this value, extensions are needed.

$C_w = 2.3$

$L$  = length of curb opening = 5 ft

$W = 1.5$  ft

$d = 0.5$  ft

Drainage Area	$Q_{10}$	$Q_{10} > Q_{in}?$	Extension: # needed	1 extend	2 extend
P10-DA-1	0.21552	FALSE	FALSE	0	0
P10-DA-2	0.25411	FALSE	FALSE	0	0
P10-DA-3	0.48998	FALSE	FALSE	0	0
P10-DA-4	1.55745	FALSE	FALSE	0	0
P10-DA-5	0.35789	FALSE	FALSE	0	0
P10-DA-6	0.40279	FALSE	FALSE	0	0
P10-DA-7	0.42017	FALSE	FALSE	0	0
P10-DA-8	0.16083	FALSE	FALSE	0	0
P10-DA-9	0.24404	FALSE	FALSE	0	0
P10-DA-11	0.24625	FALSE	FALSE	0	0
P10-DA-12	0.43098	FALSE	FALSE	0	0
P10-DA-13	0.20411	FALSE	FALSE	0	0
P10-DA-14	0.72601	FALSE	FALSE	0	0
P10-DA-15	0.2181	FALSE	FALSE	0	0

**3** SEC. 15-3-105  
C55 C55

CONSULTANT'S SHEET PROJECT NO. 21107-01B	
<b>CITY OF KINGSVILLE GLO SW PROJECT 10</b> <b>(N. ARMSTRONG ST.) STORM WATER IMPROVEMENTS</b> KINGSVILLE, KLEBERG COUNTY, TEXAS	
<b>STORM WATER RUNOFF AND CURB INLET CALCULATIONS</b>	
REVISION NO.	DESCRIPTION
DATE	BY
02-04-25	JCC
REV. 1	BY
DRAWING NO.	
<b>C55</b>	
SHEET 56 of 56	